

THIS DRAWING AND DESIGN HEREIN SHALL NOT BE DUPLICATED, USED OR DISCLOSED TO OTHERS FOR PRODUCTION OR OTHER PURPOSE (EXCEPT AS OTHERWISE AUTHORIZED BY CONTRACT) WITHOUT WRITTEN PERMISSION OF SIEMENS BUILDING TECHNOLOGIES, INC. - FIRE SAFETY DIVISION. ALL OTHER REPRODUCTIONS SHALL BEAR THIS NOTICE.

REVISIONS

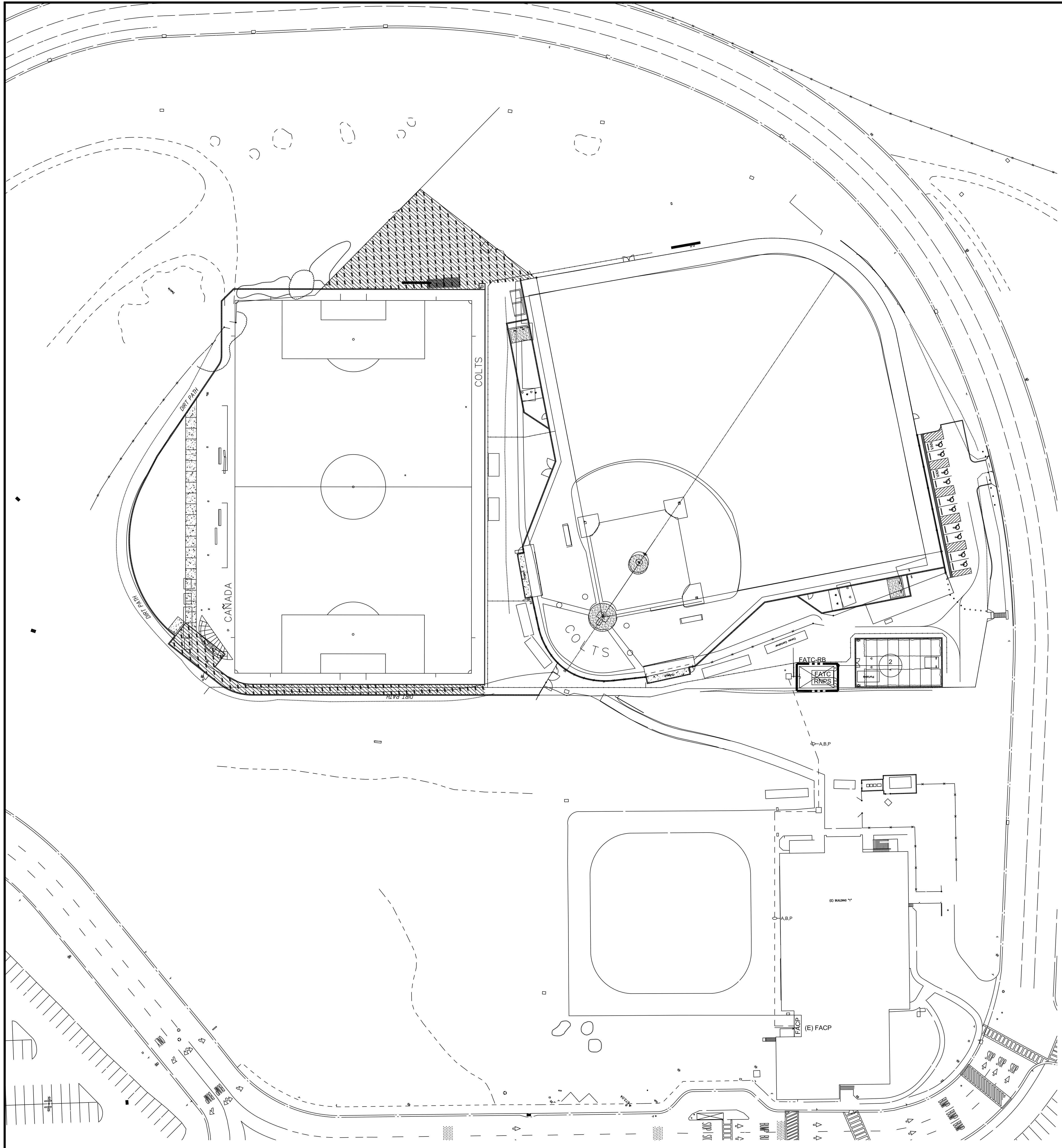
No.	Revision	By	Date	Appr.

GENERAL NOTES (FIRE ALARM SITE PLAN)

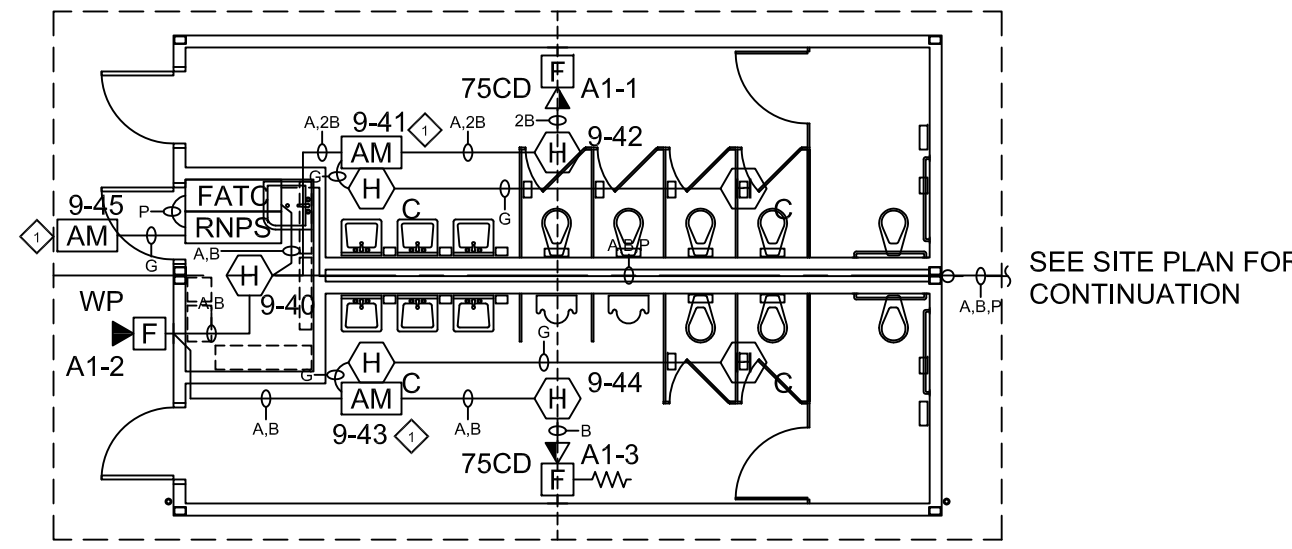
1. THERE SHALL BE NO UNDERGROUND SPLICES, UNLESS OTHERWISE NOTED.
2. LABEL IN GRADE FIRE ALARM PULL BOXES AS "FIRE ALARM."
3. CONCEAL ALL CONDUIT, UNLESS OTHERWISE NOTED.
4. ALL EXTERIOR UNDERGROUND FIRE ALARM CONDUIT SHALL BE 2", UNLESS OTHERWISE NOTED.
5. AREA MAY CONTAIN UNDERGROUND RACEWAY. SITE LOCATE ALL EXISTING UNDERGROUND RACEWAY IN AREA BEFORE TRENCHING. MAINTAIN EXTREME CARE WHEN TRENCHING.

SHEET NOTES

- 1 TRI-BGM NOT BE MOUNTED IN ATTIC SPACE. IT MUST BE MOUNTED BELOW CEILING.



1 SITE PLAN- FIRE ALARM
1" = 40'-0"



2 RESTROOM BLDG. FLOOR PLAN
1/8" = 1'-0"

NOTE: HIGHLIGHTED ITEMS APPLY TO NEW SCOPE OF WORK and
FADED ITEMS ARE EXISTING SHOWN FOR REFERENCE ONLY.

KEY PLAN

C10 STAMP:

DESIGNED BY:

IDeAr INTEGRATED DESIGN ASSOCIATES INC.
design facilities

CONSULTING ELECTRICAL ENGINEERS
3140 De La Cruz Boulevard, Suite 110
Santa Clara, California 95054
tel: (408) 562-3560, fax: (408) 562-3561

CONTRACTOR'S NAME & ADDRESS:

CUPERTINO ELECTRIC
1132 N. Seventh Street
San Jose, CA 95112
TEL (408) 808-8135
FAX (408) 279-4605
California State C10 License No. 174637

PRODUCT MANUFACTURER:

SIEMENS
Building Technologies, Inc.
Fire Safety Division
SAN FRANCISCO BRANCH
25821 Industrial Boulevard, Suite 300
Hayward, California 94545-2991
Tel (510) 783-6000 Fax (510) 293-2100
California State C10 License No. 758796
U.L. Certificate ID No. 324787-001

JOB NAME & LOCATION (STREET ADDRESS)

CANADA COLLEGE
4200 FARM HILL BLVD.
REDWOOD CITY, CA 94061

ATHLETIC FIELD PROJECT
MODULAR BUILDINGS

SHEET CONTENTS:
**FIRE ALARM PLAN
MULTI-USE BUILDING**

- INSTALLATION TYPE
- NEW INSTALLATION
 - DESIGN/BUILD
 - PER CONTRACT DOCUMENT
 - EXISTING BASE JOB # _____
 - OTHERS _____

SYSTEM SALES REP.: K. Rogers

PROJECT MANAGER: K. Kudrlik

DRAWN BY: L.B. Terrado

CAD FILENAME: 06-FP.dwg

SCALE: AS NOTED

DATE DRAWN: September 30, 2005
ISSUE DATE: September 29, 2005

SHEET 6 OF 6 JOB NUMBER 10-9084

P. DRAWING IS SMALLER THAN 30" X 42". IT IS A REDUCED COPY.