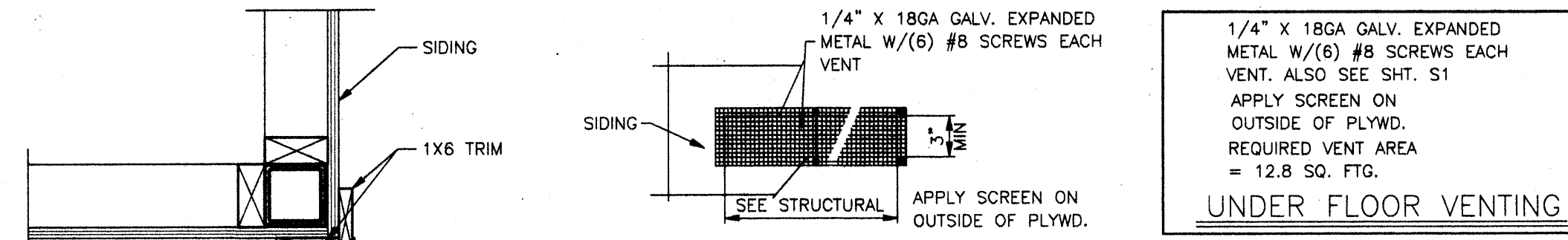
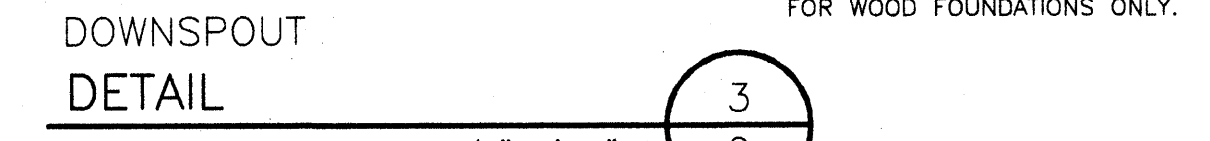


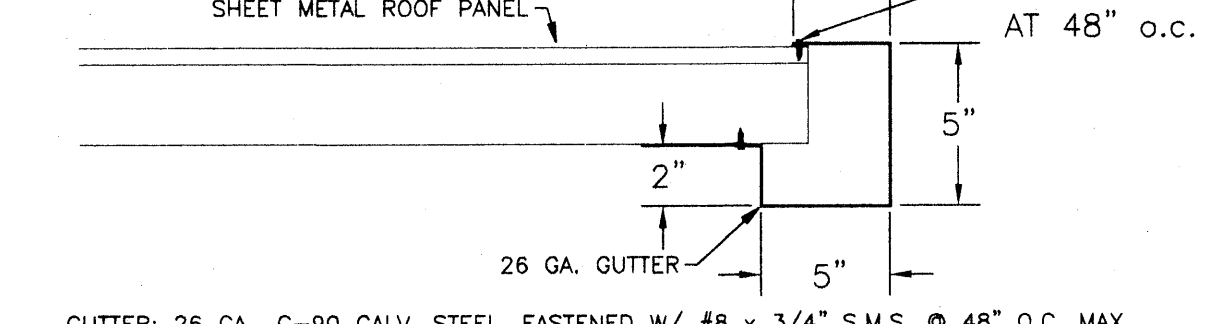
REAR END ELEVATION #924 (A)



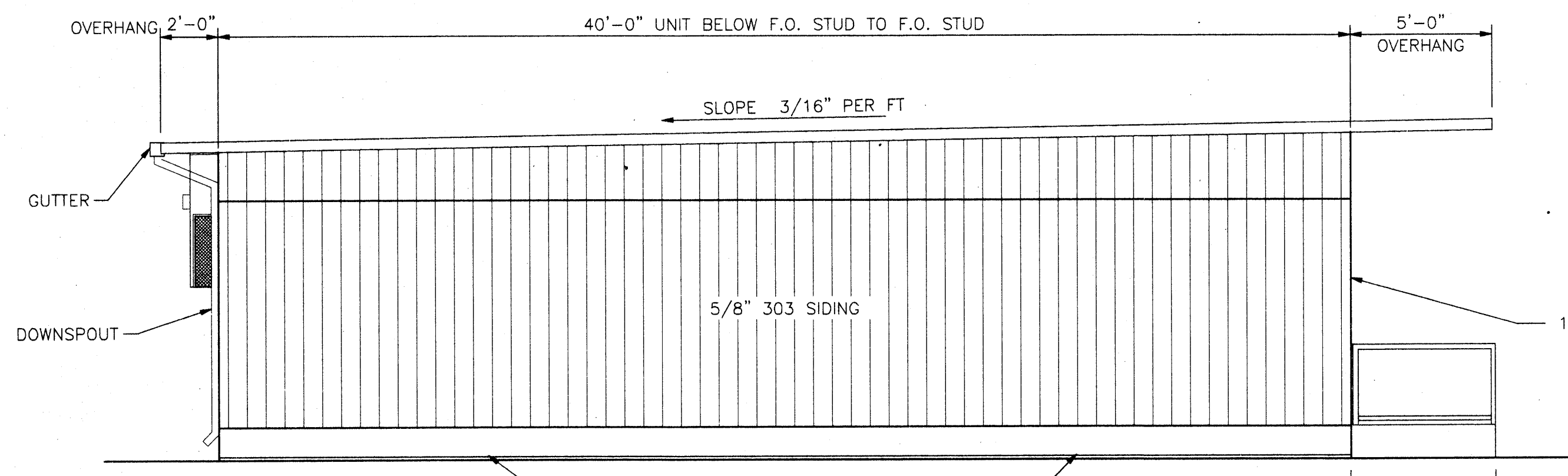
VENT DETAIL NO SCALE



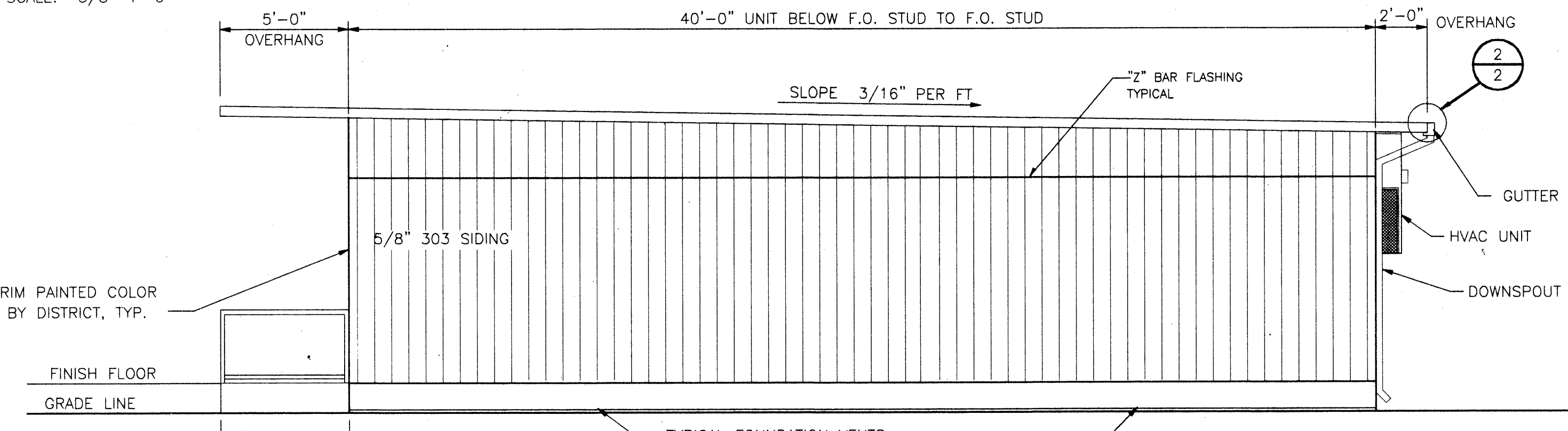
DOWNSPOUT DETAIL



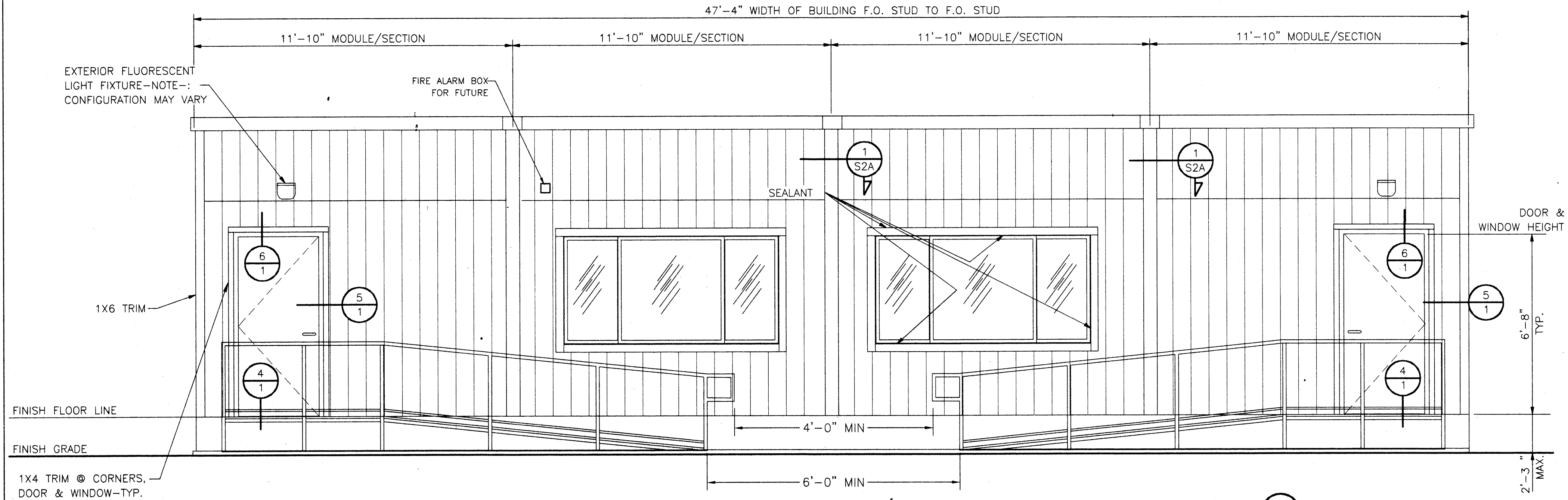
GUTTER AT OVERHANG DETAIL



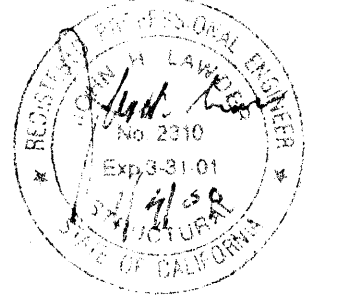
LEFT SIDE ELEVATION #924 (B)



RIGHT SIDE ELEVATION #924 (C)



FRONT END/ENTRY ELEVATION #924 (D)



IDENTIFICATION STAMP
 DIV. OF THE STATE ARCHITECT
 OFFICE OF REGULATION SERVICES
 02-102-737
 DATE 1/9/11

48X40 PC
 RELOCATABLE
 CLASSROOM



333 EAST CARNEGIE CT. MANTECA, CALIFORNIA 95337
 PHONE (209) 825-1921 FAX (209) 825-7018

CUSTOMER:
 MOBILE MODULAR MANAGEMENT CORP.

EXTERIOR ELEVATIONS

DATE: 01-03-01
 SCALE: NONE
 DRAWN BY: M.H.
 CHECKED BY:
 SERIAL NO.

REVISIONS					
NO	DATE	DESCRIPTION	NO	DATE	DESCRIPTION

PROJECT No.
 SHEET No.
 2

BASED ON PC# 02-101835