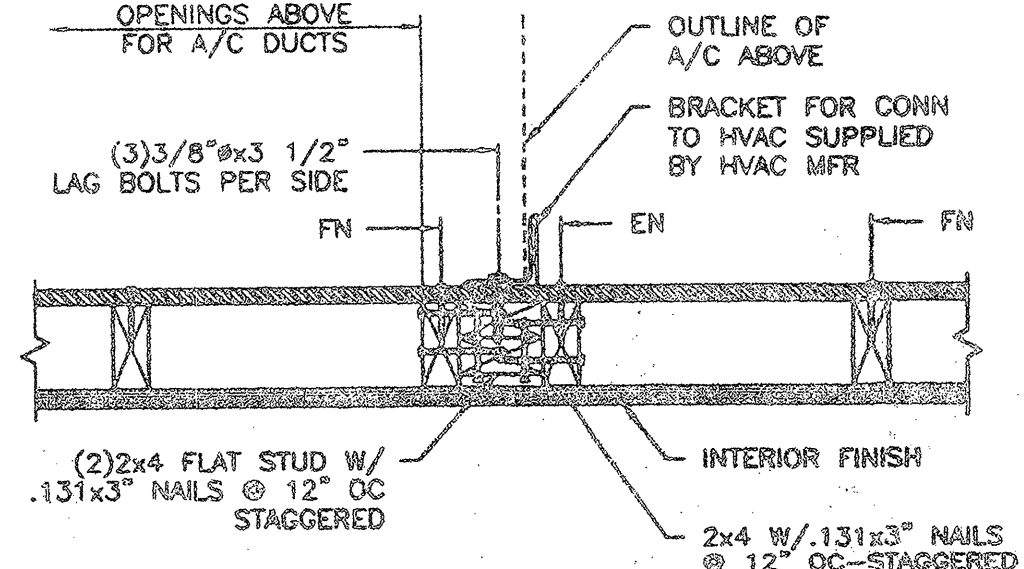
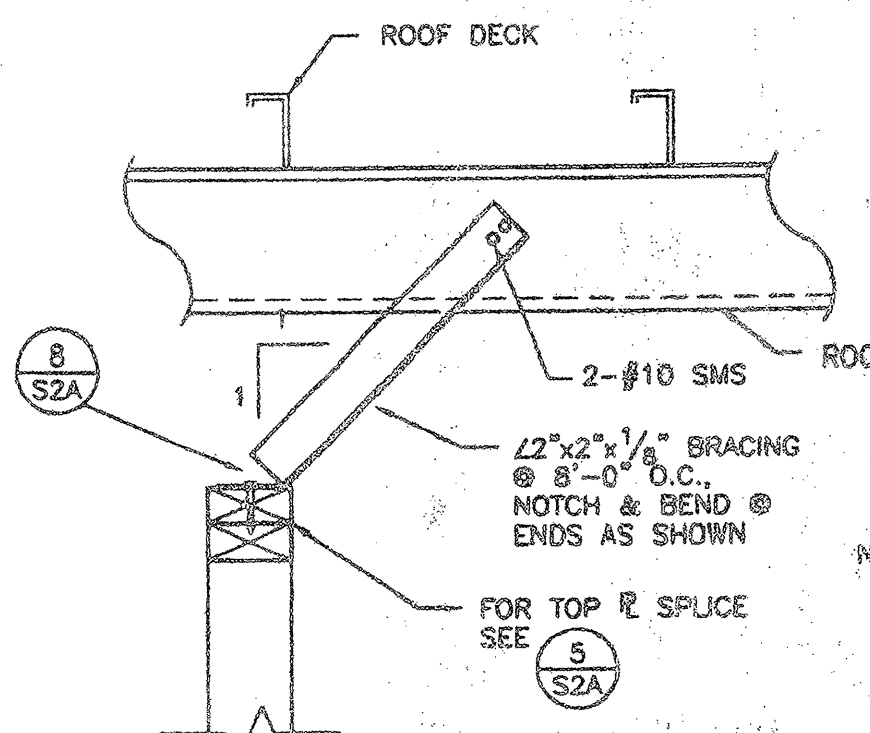


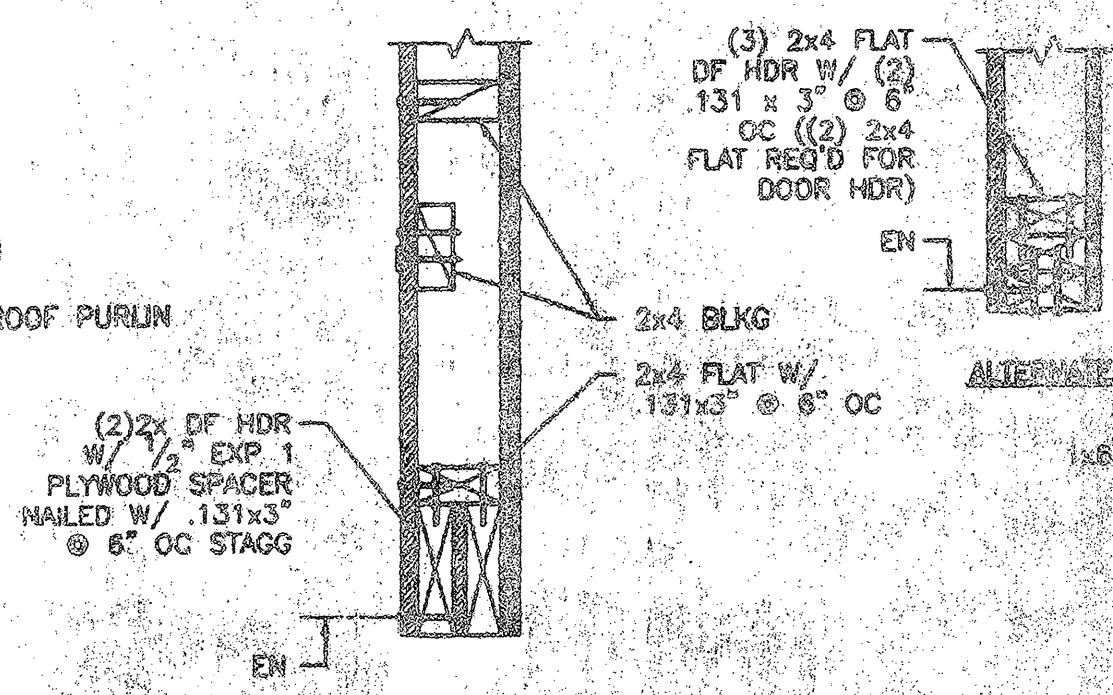
6  
S2A  
1 1/2" = 1'-0"



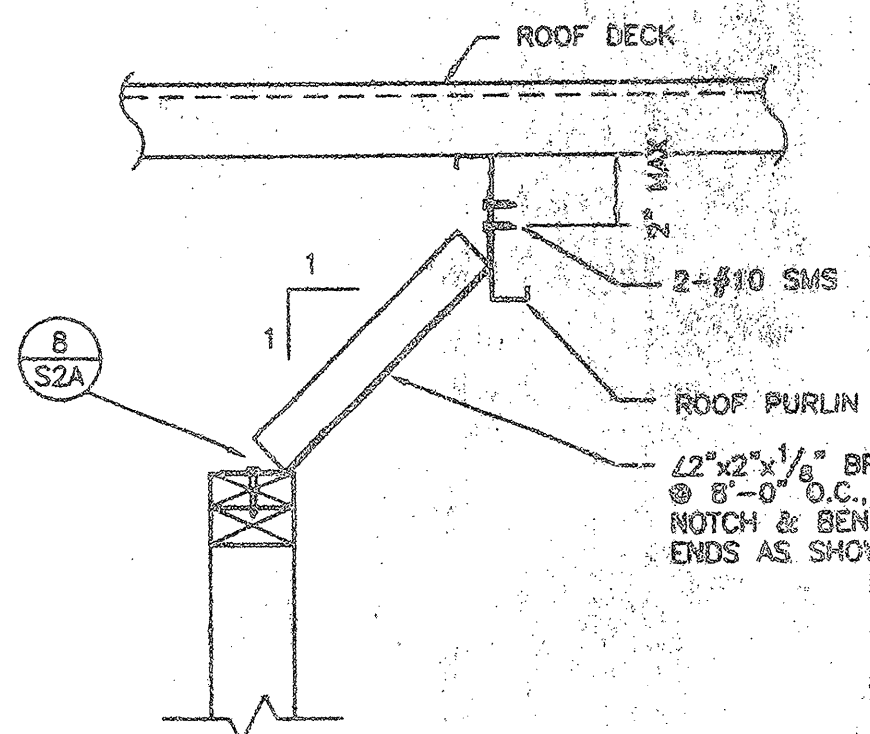
3  
S2A  
1 1/2" = 1'-0"



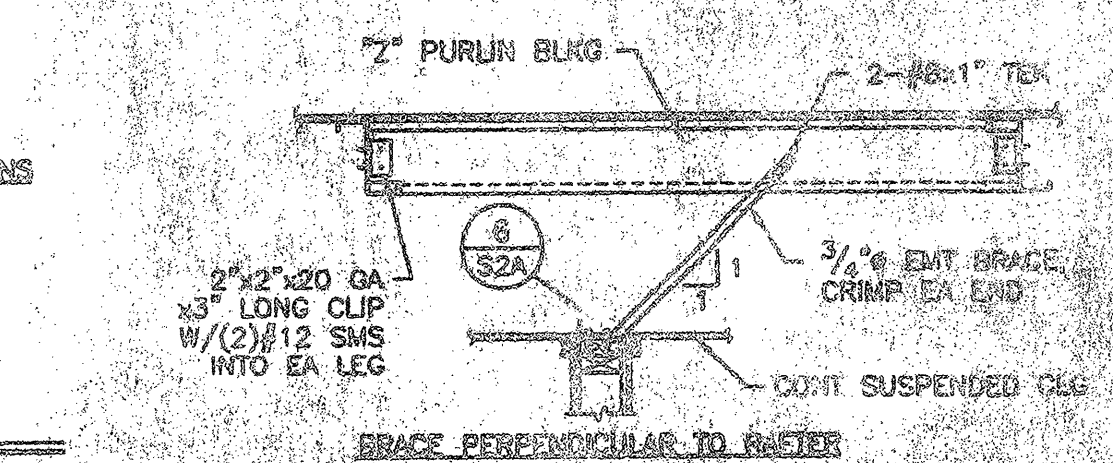
8  
S2A  
BRACE PARALLEL TO PURLINS



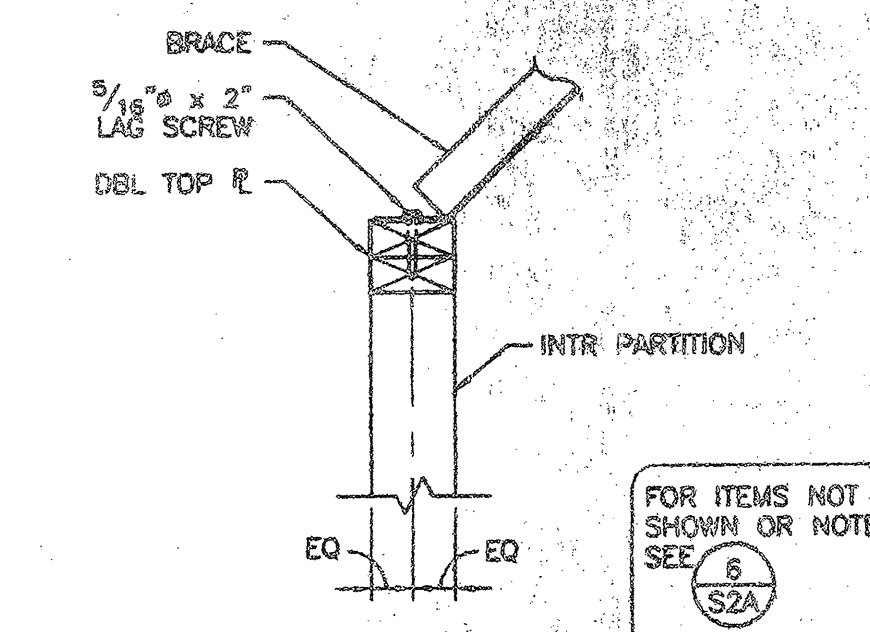
4  
S2A  
1 1/2" = 1'-0"



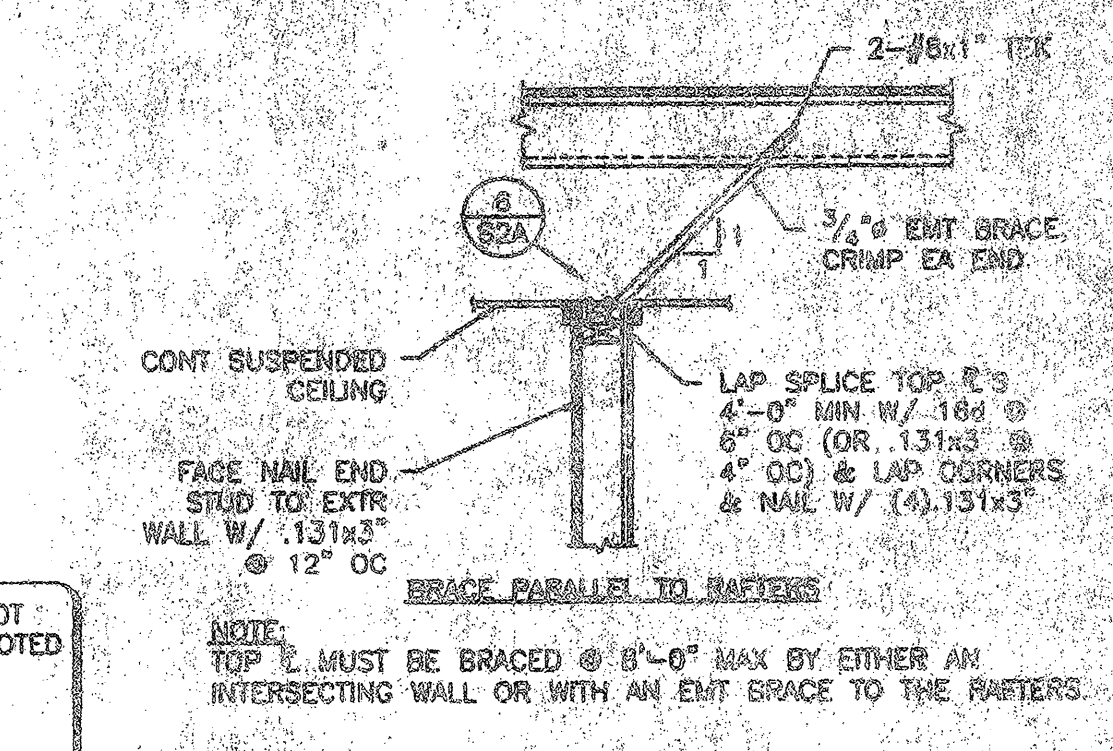
7  
S2A  
1 1/2" = 1'-0"



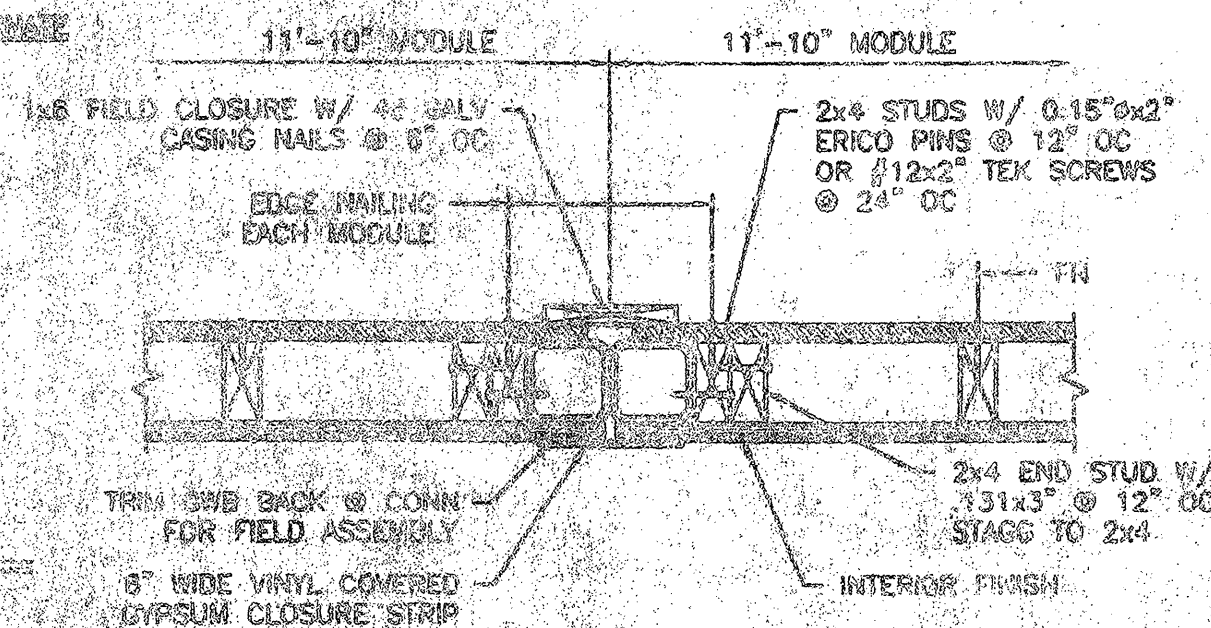
9  
S2A  
BRACE PERPENDICULAR TO RAFTERS



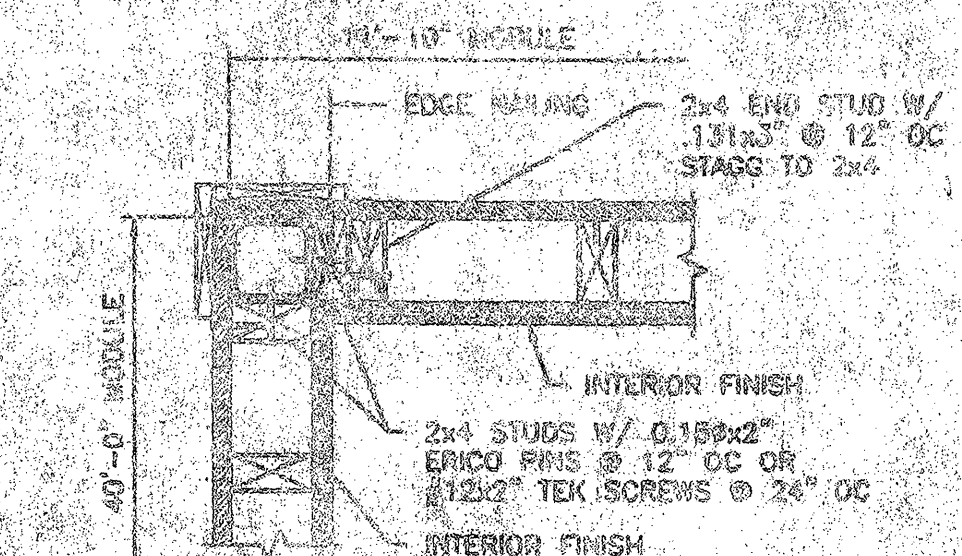
8  
S2A  
1 1/2" = 1'-0"



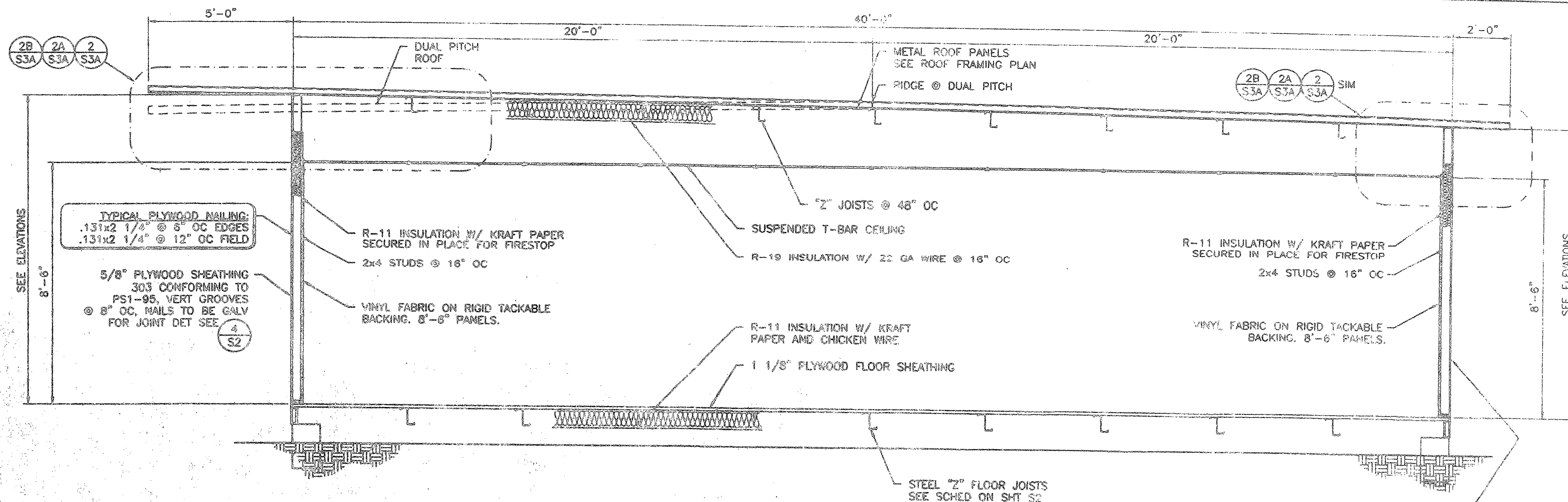
5  
S2A  
NO SCALE



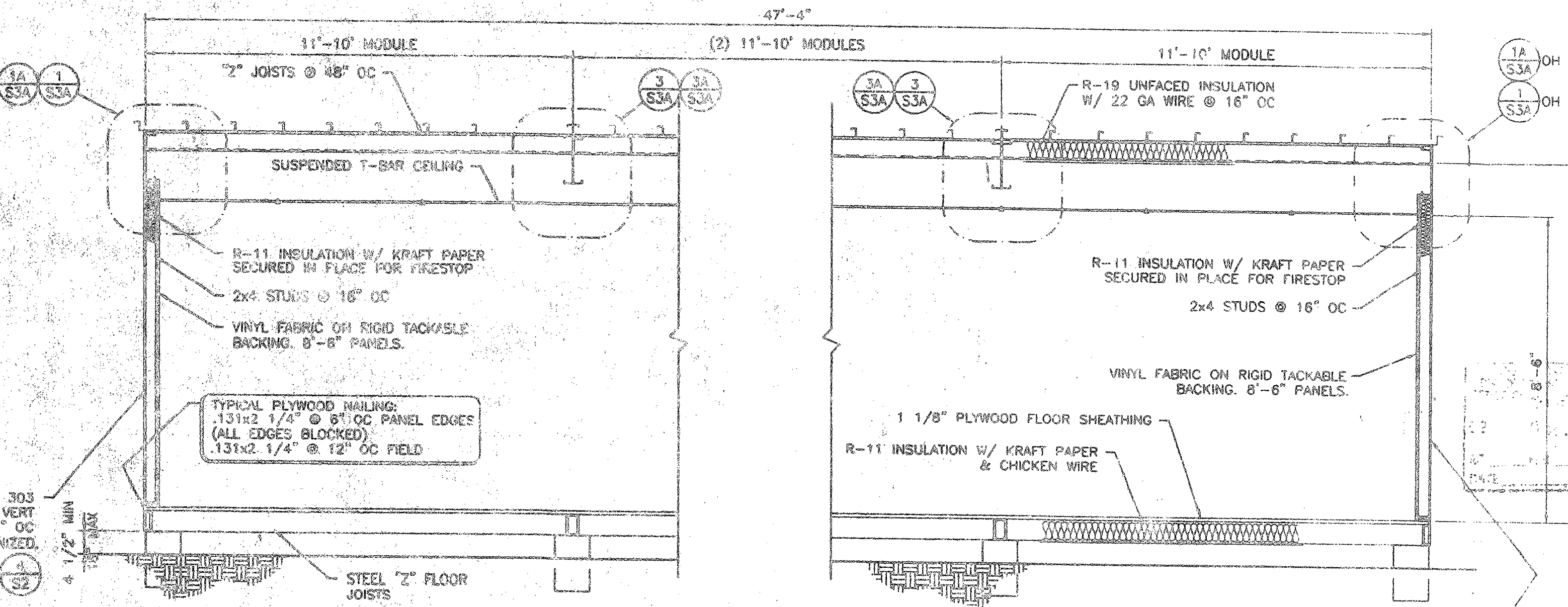
1  
S2A  
1 1/2" = 1'-0"



2  
S2A  
1 1/2" = 1'-0"



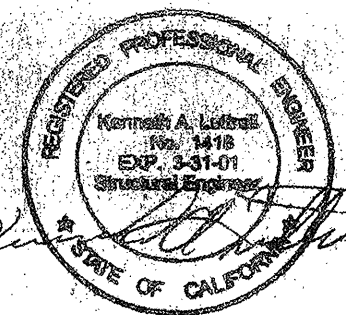
A  
S2A  
3/8" = 1'-0"



B  
S2A  
3/8" = 1'-0"

48 x 40  
RELOCATABLE  
CLASSROOM

**American  
Modular Systems**



CUSTOMER:

BUILDING SECTIONS  
AND WALL DETAILS

DATE: 12/27/99  
SCALE: AS NOTED  
DRAWN BY: PWD  
DESIGNED BY: MDB  
CHECKED BY: KAL  
SERIAL NO.

REVISIONS					
NO	DATE	DESCRIPTION	NO	DATE	DESCRIPTION

PROJECT No.  
99108  
SHEET No.  
S2A