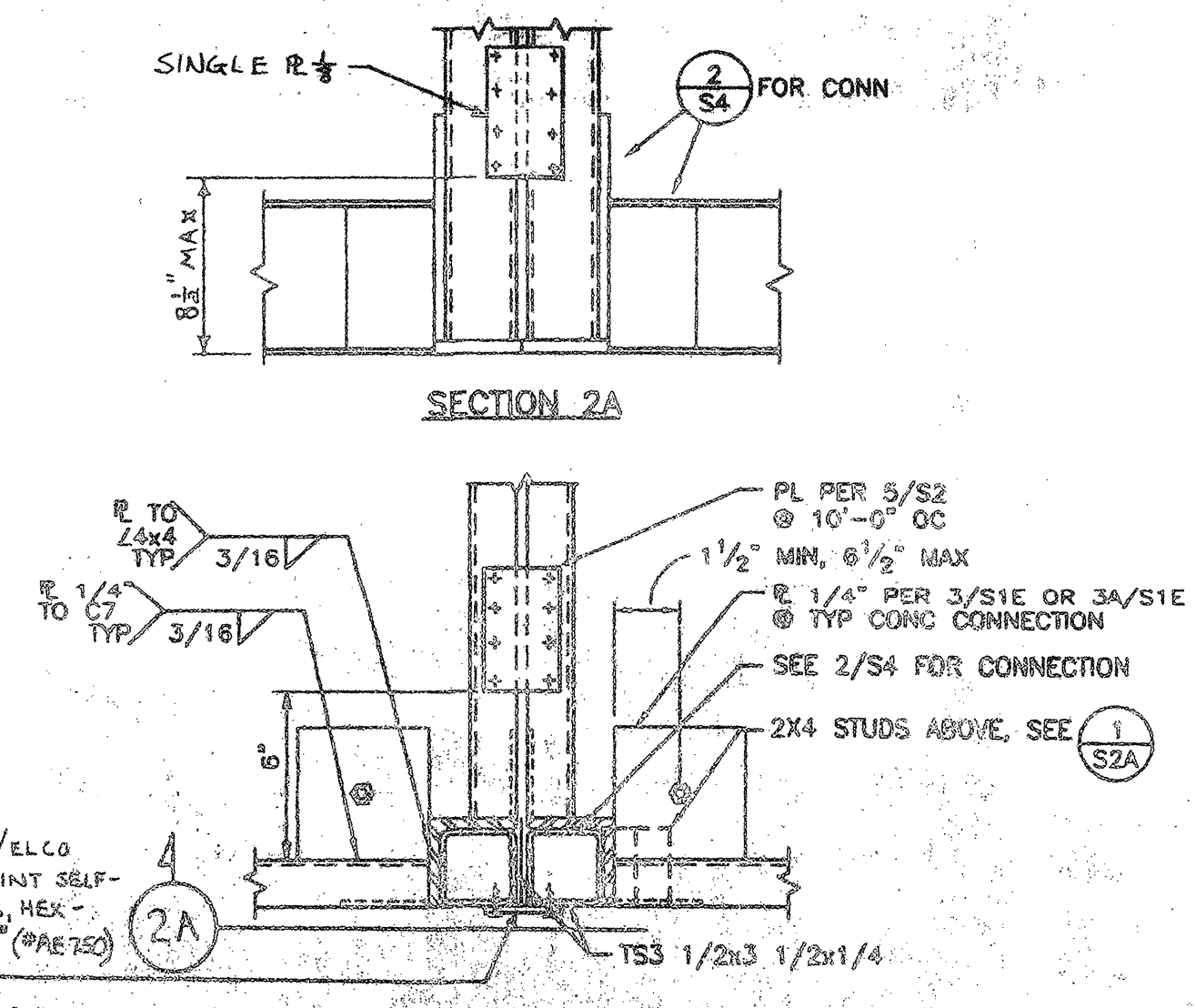
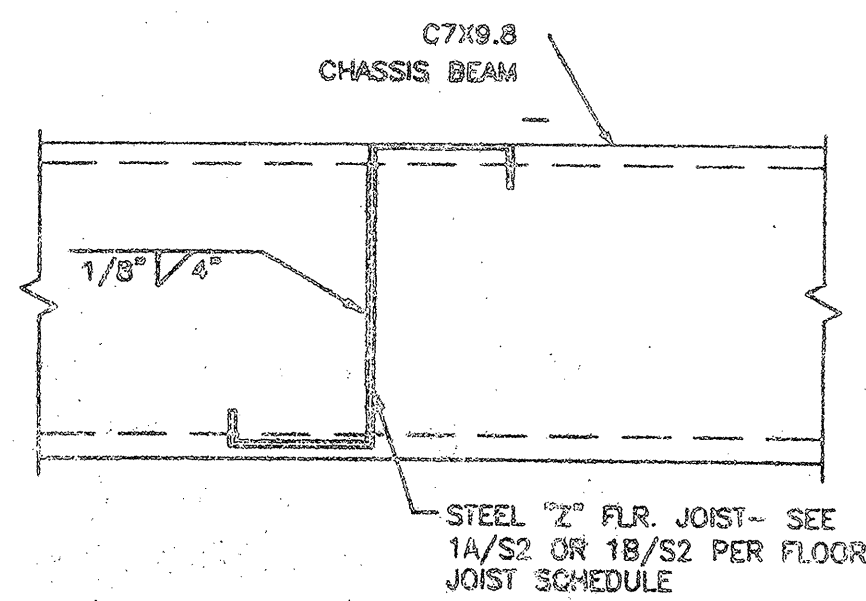


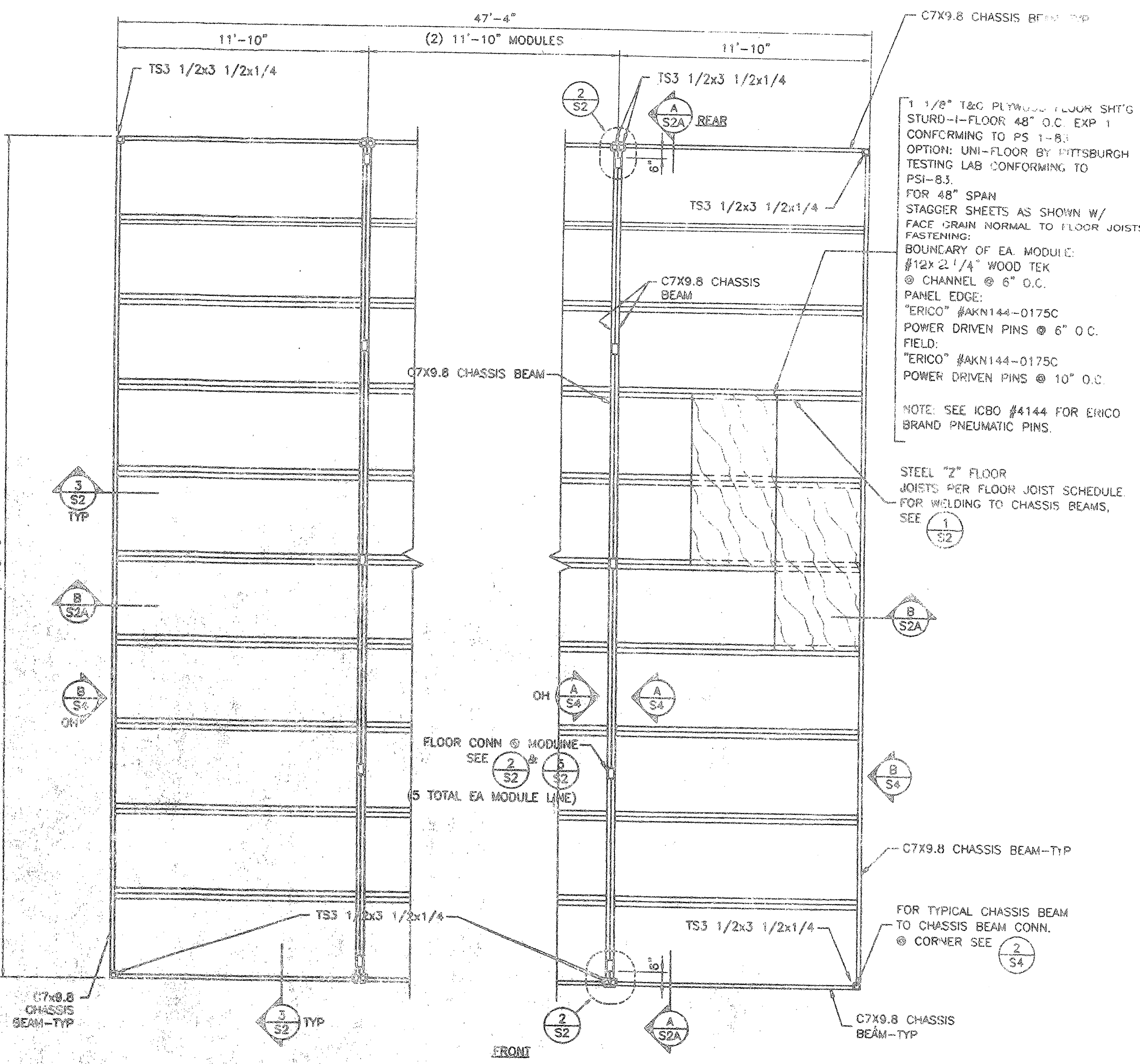
5
S2
1 1/2" = 1'-0"



2
S2
NO SCALE

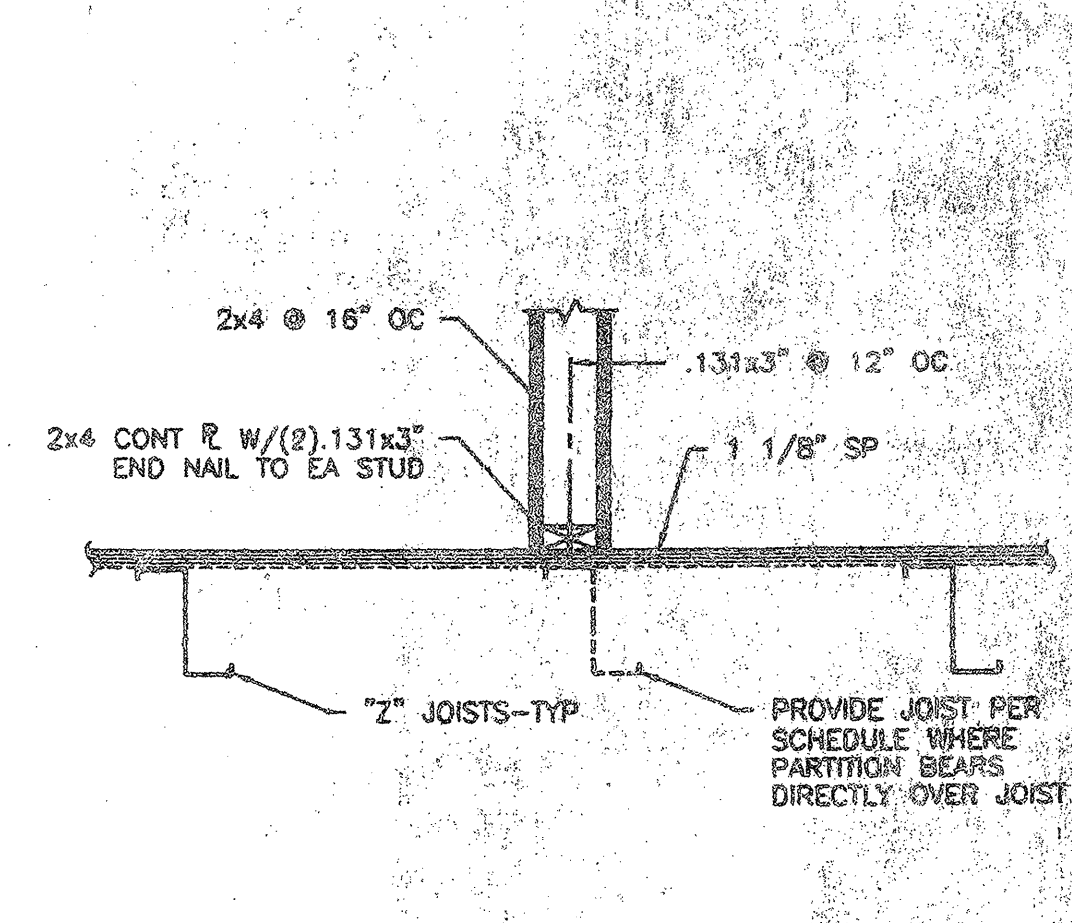


1
S2
NO SCALE

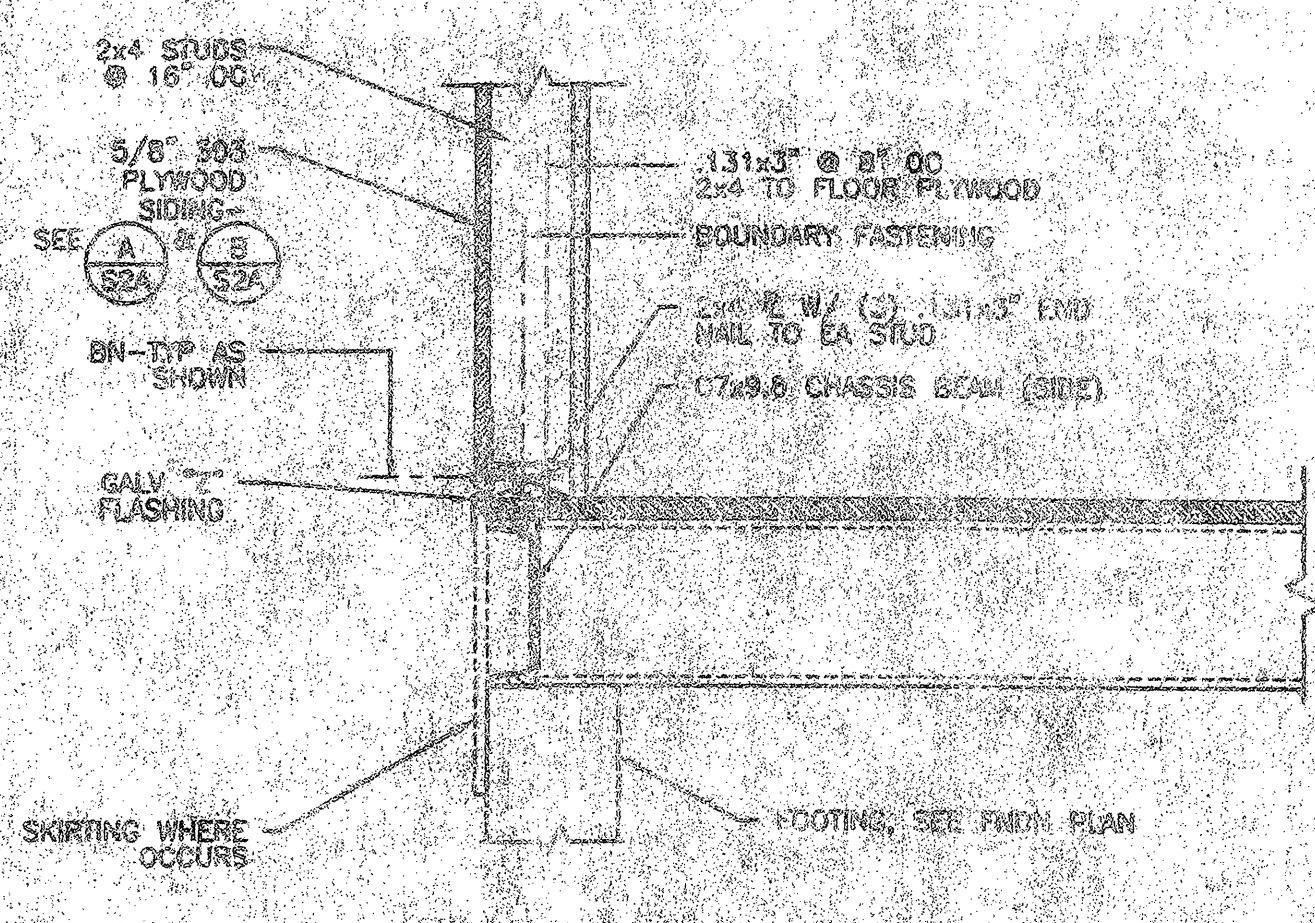


NOTES:
1. SEE SHEET S4 FOR TYPICAL WALL FRAMING.

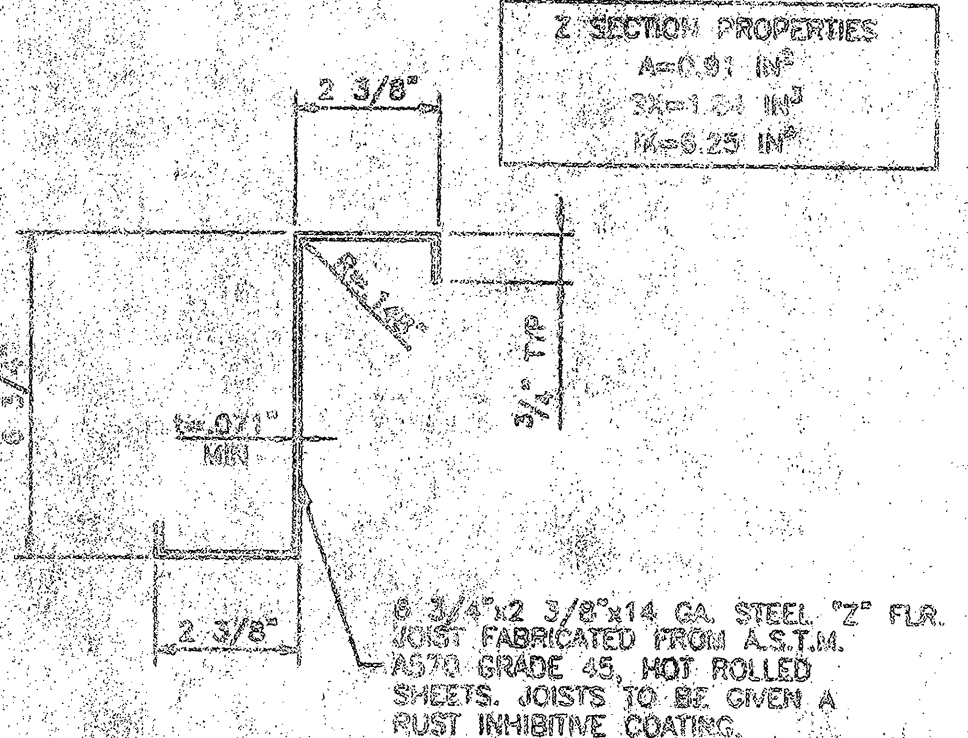
3
S2
1/4" = 1'-0"



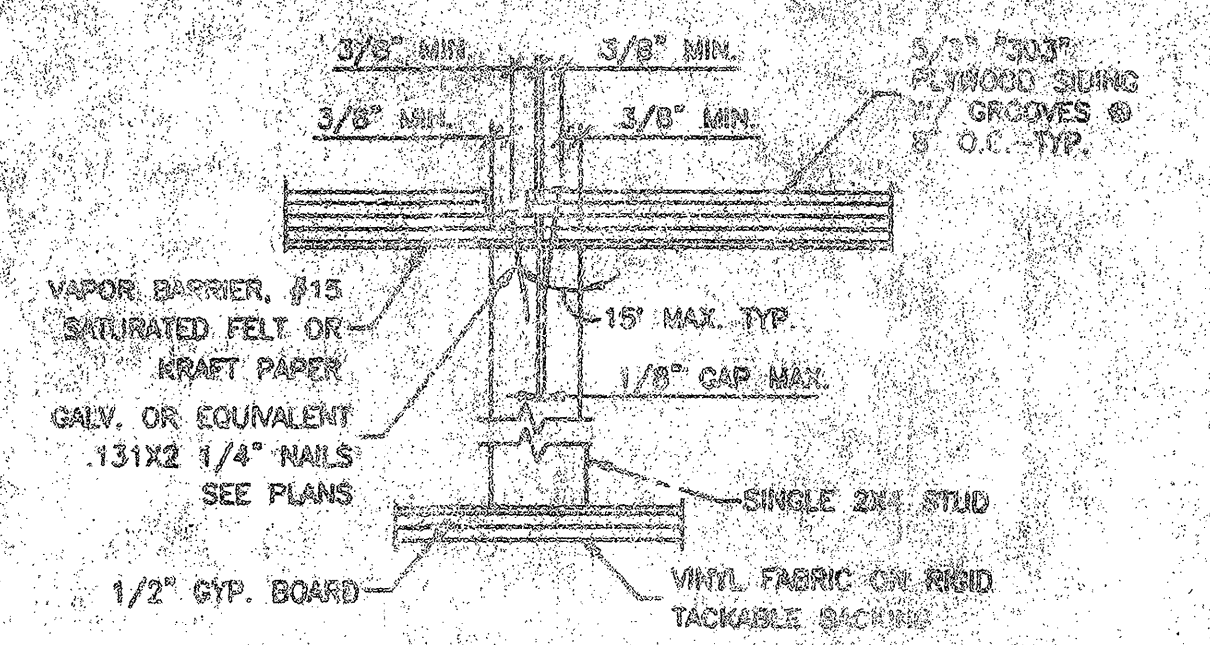
6
S2
1" = 1'-0"



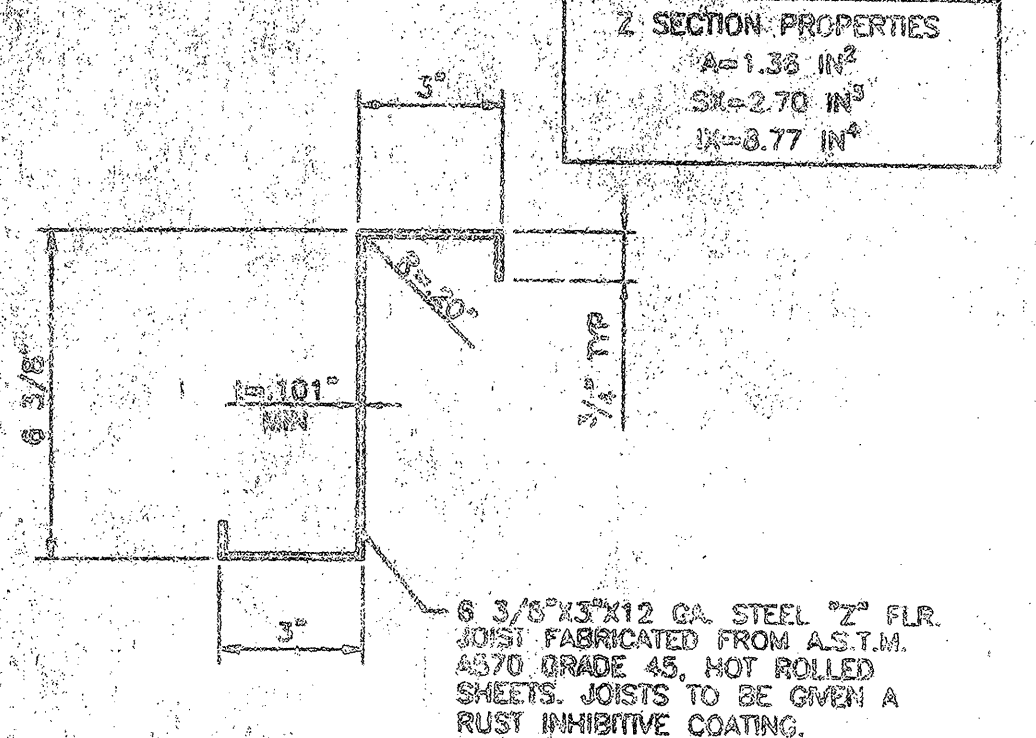
3
S2
1 1/2" = 1'-0"



1A
S2
NO SCALE



4
S2
NO SCALE



1B
S2
NO SCALE

LIVE LOAD	SPACING	
	14 GA JOIST	12 GA JOIST
50 PSF	48" OC	48" OC
100 PSF	24" OC	24" OC
125 PSF	-	24" OC

NOTES:
1. FOR JOISTS SEE 1A/S2 AND 1B/S2
2. SPACING IS TO CENTER LINE OF TOP FLANGE.
3. PROVIDE 12 GA JOIST WHERE PARTITION BEARS DIRECTLY OVER JOIST.

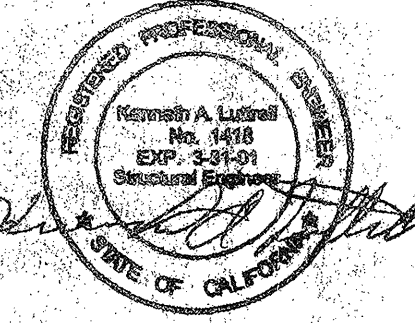
1. 1/8" T&G PLYWOOD FLOOR SHTG STURD-I-FLOOR 48" O.C. EXP 1 CONFORMING TO PS 1-8.1. OPTION: UNI-FLOOR BY PITTSBURGH TESTING LAB CONFORMING TO PSI-8.3. FOR 48" SPAN STAGGER SHEETS AS SHOWN W/ FACE GRAIN NORMAL TO FLOOR JOISTS FASTENING: BOUNDARY OF EA. MODULE: #12x 2 1/4" WOOD TEK @ CHANNEL @ 6" O.C. PANEL EDGE: "ERICO" #AKN144-0175C POWER DRIVEN PINS @ 6" O.C. FIELD: "ERICO" #AKN144-0175C POWER DRIVEN PINS @ 10" O.C. NOTE: SEE ICBO #4144 FOR ERICO BRAND PNEUMATIC PINS.

STEEL "Z" FLOOR JOISTS PER FLOOR JOIST SCHEDULE FOR WELDING TO CHASSIS BEAMS, SEE 1/S2

FOR TYPICAL CHASSIS BEAM TO CHASSIS BEAM CONN. @ CORNER SEE 2/S4

MA:\99108\ACAD\STRU\S2.dwg 10-18-99 11:26:53 am EST

48 x 40
RELOCATABLE
CLASSROOM



CUSTOMER: _____

FLOOR FRAMING
PLANS AND DETAILS

DATE: 12/27/99
SCALE: AS NOTED
DRAWN BY: PWD
DESIGNED BY: MDB
CHECKED BY: KAL
SERIAL NO. _____

REVISIONS					
NO	DATE	DESCRIPTION	NO	DATE	DESCRIPTION

IDENTIFICATION STAMP
DIV. OF THE STATE ARCHITECT
OFFICE OF REGULATION SERVICES
APPLICATION NO.
02-1013-35
DATE: 12-27-99
FILE NO. PC

PROJECT No.
99108
SHEET No.
S2