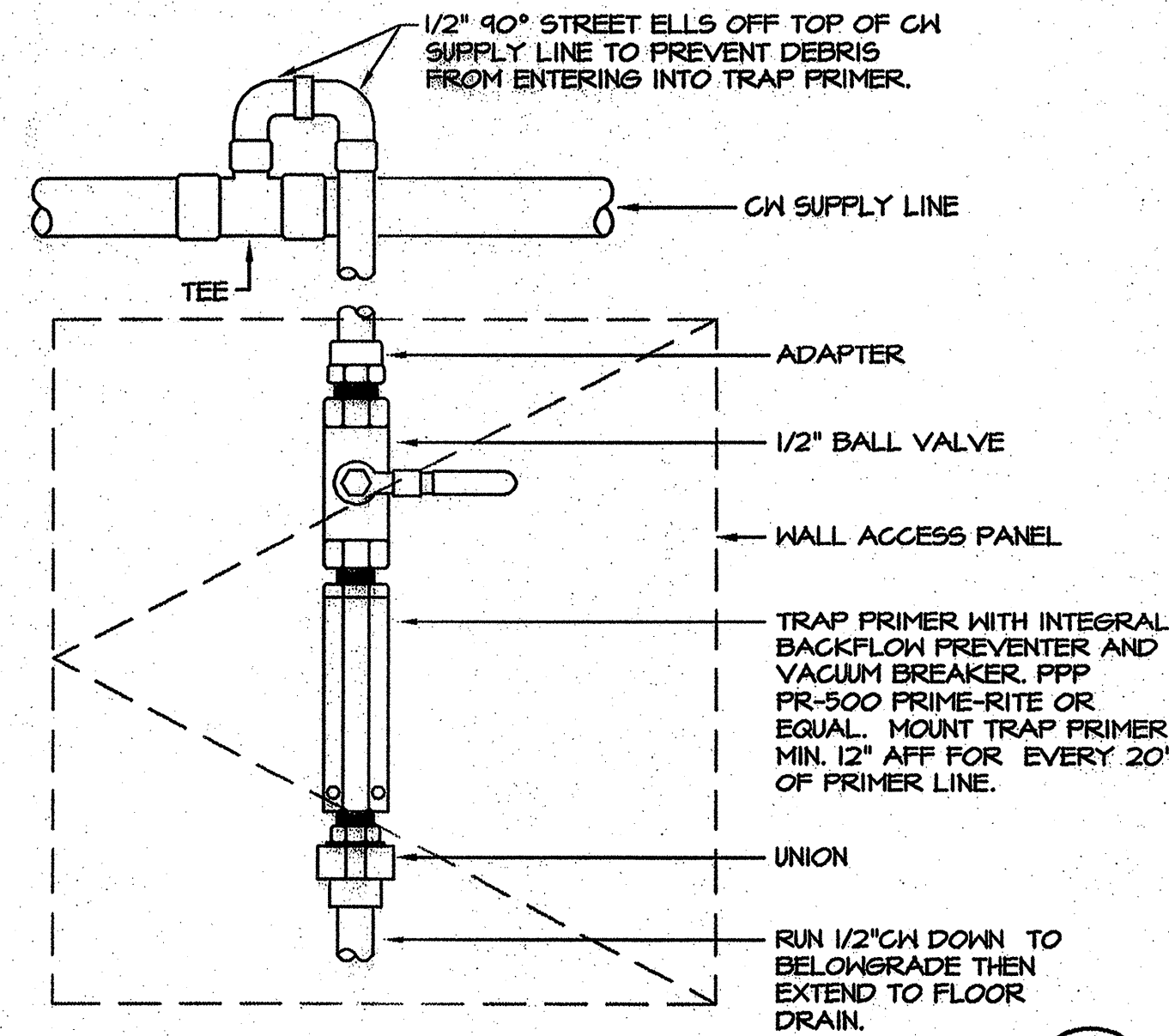


WALL CLEANOUT TEE DETAIL

NO SCALE

3
P3.01

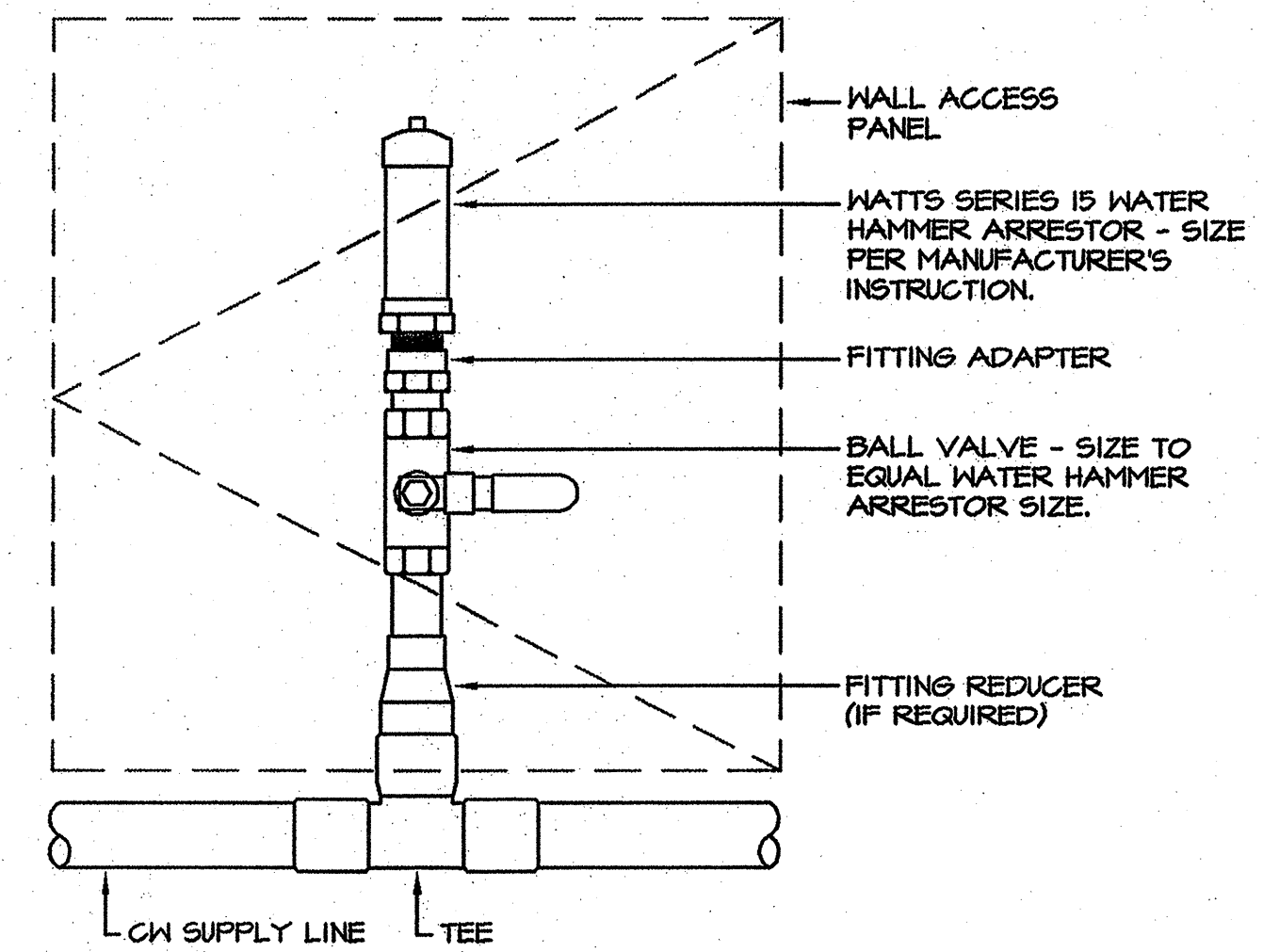


TRAP PRIMER DETAIL

NO SCALE

2
P3.01

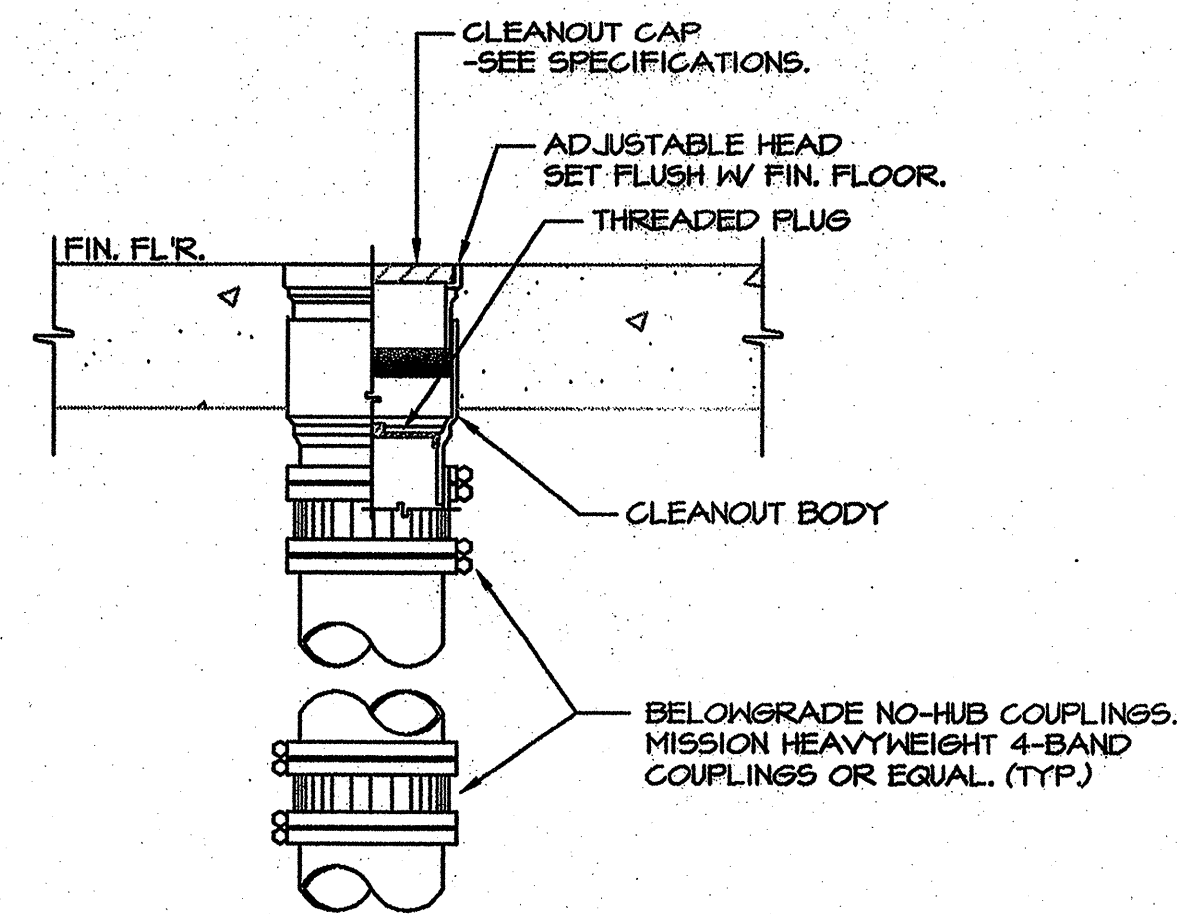
NOTE: UP TO FOUR (4) FLOOR DRAINS MAY BE SERVED BY ONE (1) TRAP PRIMER. INSTALL DISTRIBUTION UNIT PFP SERIES 'DU' OR EQUAL, DOWNSTREAM OF UNION. DISTRIBUTION UNIT TO ALSO BE ACCESSIBLE FROM WALL ACCESS PANEL.



WATER HAMMER ARRESTOR DETAIL

NO SCALE

1
P3.01

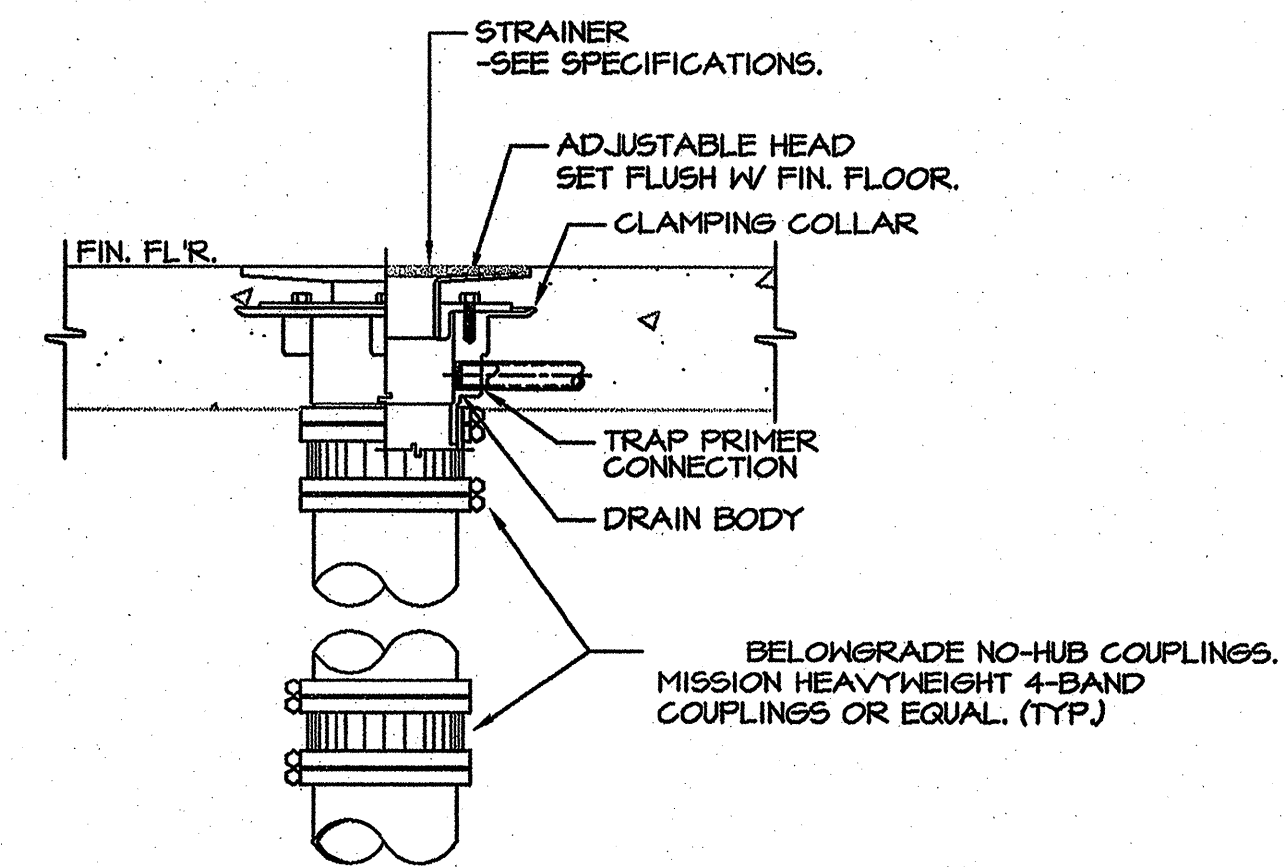


FLUSH FLOOR CLEANOUT DETAIL

NO SCALE

5
P3.01

NOTES:
1. AT LOCATIONS WHERE CLEANOUT OCCURS MIDWAY IN PIPING RUN, INSTALL TWO-WAY CLEANOUT FITTING IN PIPING RUN BELOW.
2. PROVIDE UNDERDECK CLAMP AND ROOF SUMP RECEIVER AT DECK LOCATIONS.



FLOOR DRAIN DETAIL

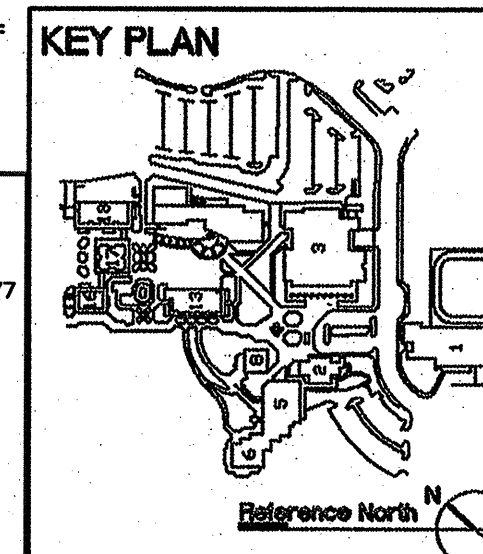
NO SCALE

4
P3.01

NOTES:
1. AT LOCATIONS WHERE CLEANOUT OCCURS MIDWAY IN PIPING RUN, INSTALL TWO-WAY CLEANOUT FITTING IN PIPING RUN BELOW.
2. PROVIDE UNDERDECK CLAMP AND ROOF SUMP RECEIVER AT DECK LOCATIONS.

acco engineered systems
1133 ALADDIN AVE
SAN LEANDRO, CALIFORNIA 94577
(510) 348-4300

626463 MO.01.DWG RC RISSÉ
Job Number Filename Drawn By Project Mgr
86519
RECORD DRAWING District Contract #
DATE: 02-01-07 Contractor's Signature



ARCHITECT OF RECORD
noll & tam
architects and planners
729 Heinz Avenue
Berkeley, CA 94710
510.849.8295
fax 510.849.3006

CONSULTANTS
McCracken & Woodman
INCORPORATED
Consulting Mechanical Engineers
355 Grand Avenue, Oakland, California 94612
Telephone (510) 763-4891 Fax (510) 763-0619



IDENTIFICATION STAMP
DIVISION OF THE STATE ARCHITECT
REGISTERED PROFESSIONAL ENGINEER
BRIAN T. CHISWICK
No. M025925
Exp. 6/30/07
MECHANICAL
STATE OF CALIFORNIA

BID DOCUMENTS
CAÑADA COLLEGE
BUILDING 16, 17, 18
RENOVATION
SMCCCD
3401 CSM Drive
San Mateo, CA 94402
Cañada College
4200 Farm Hills Blvd.
Redwood City, CA 94061

SHEET TITLE
PLUMBING DETAILS

REVISIONS		
NO.	DATE	DESCRIPTION
1	08/11/06	ADDendum NO. 1 MODERNIZATION
2	08/18/06	ADDendum NO. 2 MODERNIZATION
3	02/01/07	RECORD SET

DATE MARCH 1, 2006
DRAWN JP
CHECKED BC
SCALE AS NOTED
N&T JOB NO.: 2220.07

SHEET NUMBER
P3.01