

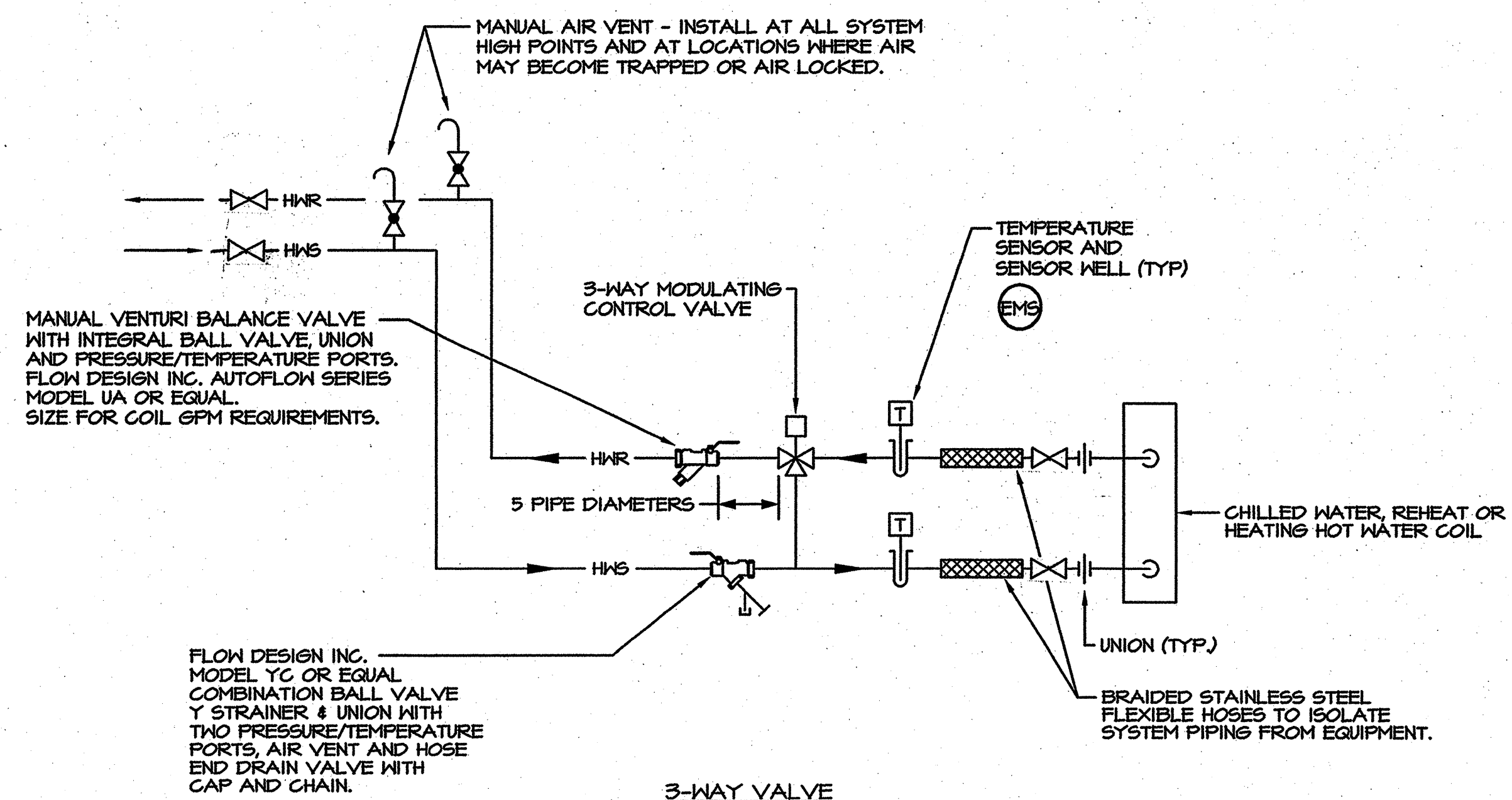
COIL PIPING DIAGRAM

NO SCALE

2
M5.05

NOTES:

1. ALL VALVES AND FITTINGS, (OTHER THAN CONTROL VALVES) SHALL BE SAME SIZE AS PIPING UNLESS OTHERWISE NOTED.
2. CONTROL VALVES AND BALANCE VALVES ARE TO BE SIZED AS REQUIRED TO PROVIDE PROPER GPM CONTROL RANGE. SELECT VALVES WITH LOWEST AVAILABLE PRESSURE DROP. SMALL BODY VALVES DELIVERING THE REQUIRED FLOWS AT HIGH PRESSURE DROPS ARE NOT ACCEPTABLE.



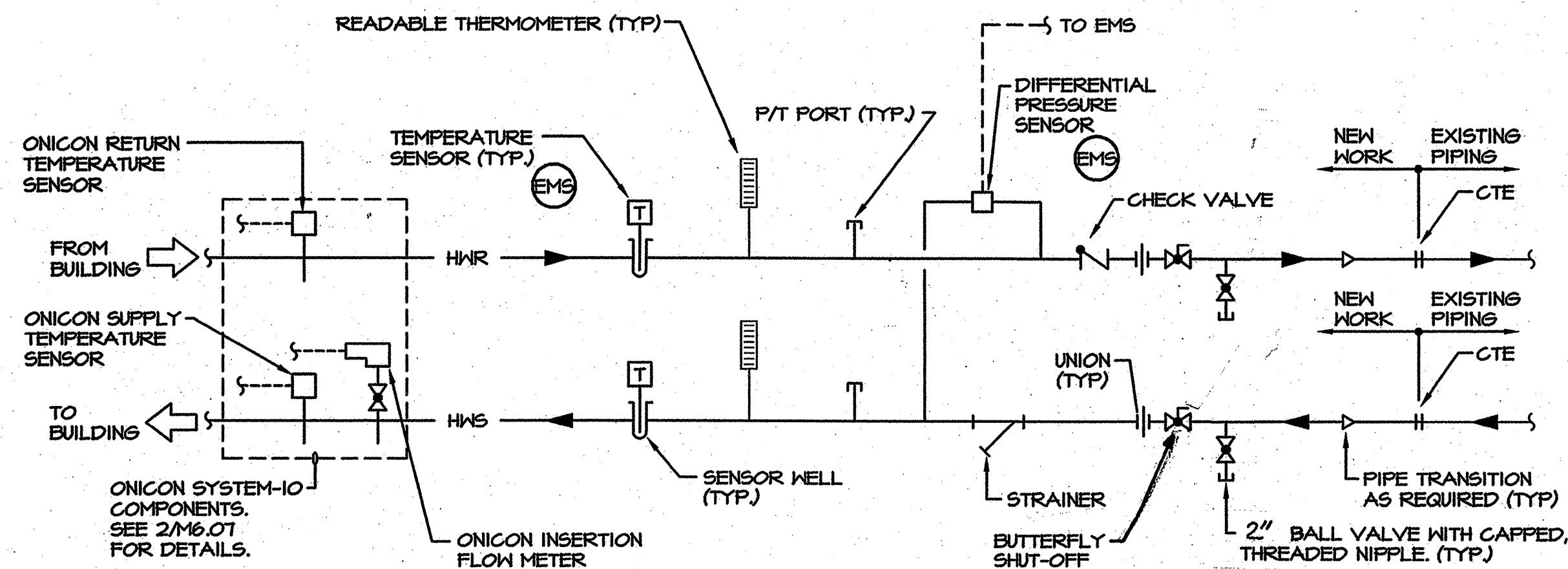
COIL PIPING DIAGRAM

NO SCALE

1
M5.05

NOTES:

1. ALL VALVES AND FITTINGS, (OTHER THAN CONTROL VALVES) SHALL BE SAME SIZE AS PIPING UNLESS OTHERWISE NOTED.
2. CONTROL VALVES AND BALANCE VALVES ARE TO BE SIZED AS REQUIRED TO PROVIDE PROPER GPM CONTROL RANGE. SELECT VALVES WITH LOWEST AVAILABLE PRESSURE DROP. SMALL BODY VALVES DELIVERING THE REQUIRED FLOWS AT HIGH PRESSURE DROPS ARE NOT ACCEPTABLE.



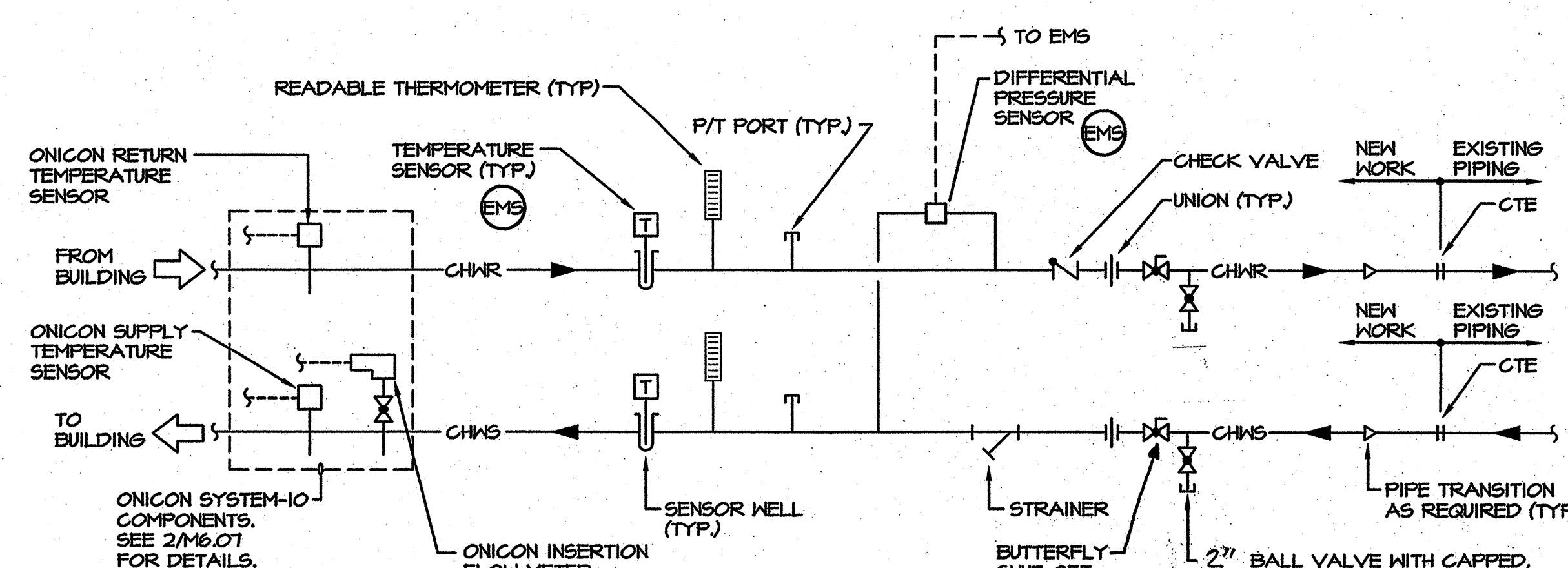
HOT WATER PIPING CONNECTION DETAIL

NO SCALE

4
M5.05

NOTES:

1. EMS CONTRACTOR SHALL BE RESPONSIBLE FOR FURNISHING ALL SENSOR WELLS, CONTROL VALVES, THERMAL VALVES, PRESSURE TAPS, ETC. THE MECHANICAL CONTRACTOR SHALL INSTALL THESE ITEMS IN THE LOCATIONS AS DIRECTED BY THE EMS CONTRACTOR. THE EMS CONTRACTOR SHALL DETERMINE THE NUMBER AND LOCATIONS FOR THESE ITEMS AND SHALL ADD DEVICES AS REQUIRED TO MEET THE DESIGN INTENT OF THE DRAWINGS, AND AS REQUIRED TO PROVIDE A FULLY FUNCTIONAL SYSTEM.
2. SEE DETAIL 1/M6.07 FOR CONTROL SYSTEM MONITORING. SEE 2/M6.07 FOR UTILITYVISION MONITORING SYSTEM DETAILS.



CHILLED WATER PIPING CONNECTION DETAIL

NO SCALE

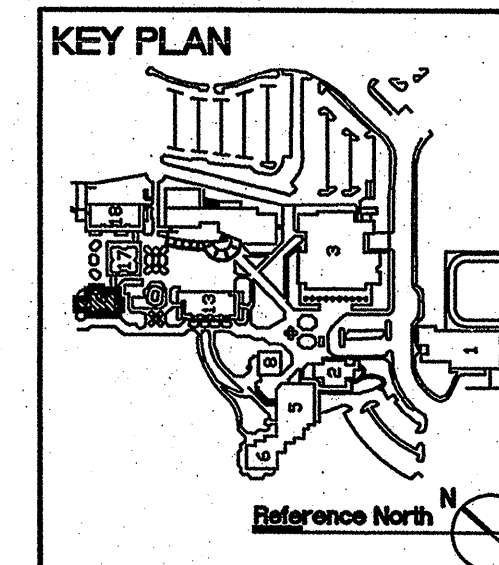
3
M5.05

NOTES:

1. EMS CONTRACTOR SHALL BE RESPONSIBLE FOR FURNISHING ALL SENSOR WELLS, CONTROL VALVES, THERMAL WELLS, FLOW SWITCHES, PRESSURE TAPS, ETC. THE MECHANICAL CONTRACTOR SHALL INSTALL THESE ITEMS IN THE LOCATIONS AS DIRECTED BY THE EMS CONTRACTOR. THE EMS CONTRACTOR SHALL DETERMINE THE NUMBER AND LOCATIONS FOR THESE ITEMS AND SHALL ADD DEVICES AS REQUIRED TO MEET THE DESIGN INTENT OF THE DRAWINGS, AND AS REQUIRED TO PROVIDE A FULLY FUNCTIONING SYSTEM.
2. SEE DETAIL 1/M6.07 FOR CONTROL SYSTEM MONITORING. SEE 2/M6.07 FOR UTILITYVISION MONITORING SYSTEM DETAILS.

acco engineered systems
 1133 ALADDIN AVE
 SAN LEANDRO, CALIFORNIA 94577
 (510) 346-4300

626403 M0.01.DWG RC RISSE
 Job Number Filename Drawn By Project Mgr
 86519
RECORD DRAWING District Contract #
 DATE: 02-01-07 Contractor's Signature



ARCHITECT OF RECORD
noll & tam
 architects and planners
 729 Heinz Avenue
 Berkeley, CA 94710
 510.849.8295
 fax 510.649.3008

CONSULTANTS
McCracken & Woodman
 INCORPORATED
 Consulting Mechanical Engineers
 355 Grand Avenue, Oakland, California 94610
 Telephone (510) 763-4891 Fax (510) 763-0619

REGISTERED PROFESSIONAL ENGINEER
 No. M025925
 Exp. 6/30/07
 MECHANICAL
 STATE OF CALIFORNIA

IDENTIFICATION STAMP
 DIVISION OF THE STATE ARCHITECT
 FILE NUMBER: 4-01
 APPLICATION NUMBER: 01-40011
 AC _____ FS _____ SS _____
 DATE _____

BID DOCUMENTS

CAÑADA COLLEGE
 BUILDING 16, 17, 18
 RENOVATION
 SMCCCD
 3401 CSM Drive
 San Mateo, CA 94402
 Cañada College
 4200 Farm Hills Blvd.
 Redwood City, CA 94061

SHEET TITLE
MECHANICAL DETAILS

REVISIONS		
NO.	DATE	DESCRIPTION
1	08/11/06	ADDENDUM NO. 1
2	08/18/06	ADDENDUM NO. 2
3	02/01/07	RECORD SET

DATE	MARCH 1, 2006
DRAWN	JP
CHECKED	BC
SCALE	AS NOTED
N&T JOB NO.:	2220.07
SHEET NUMBER	16

M5.05