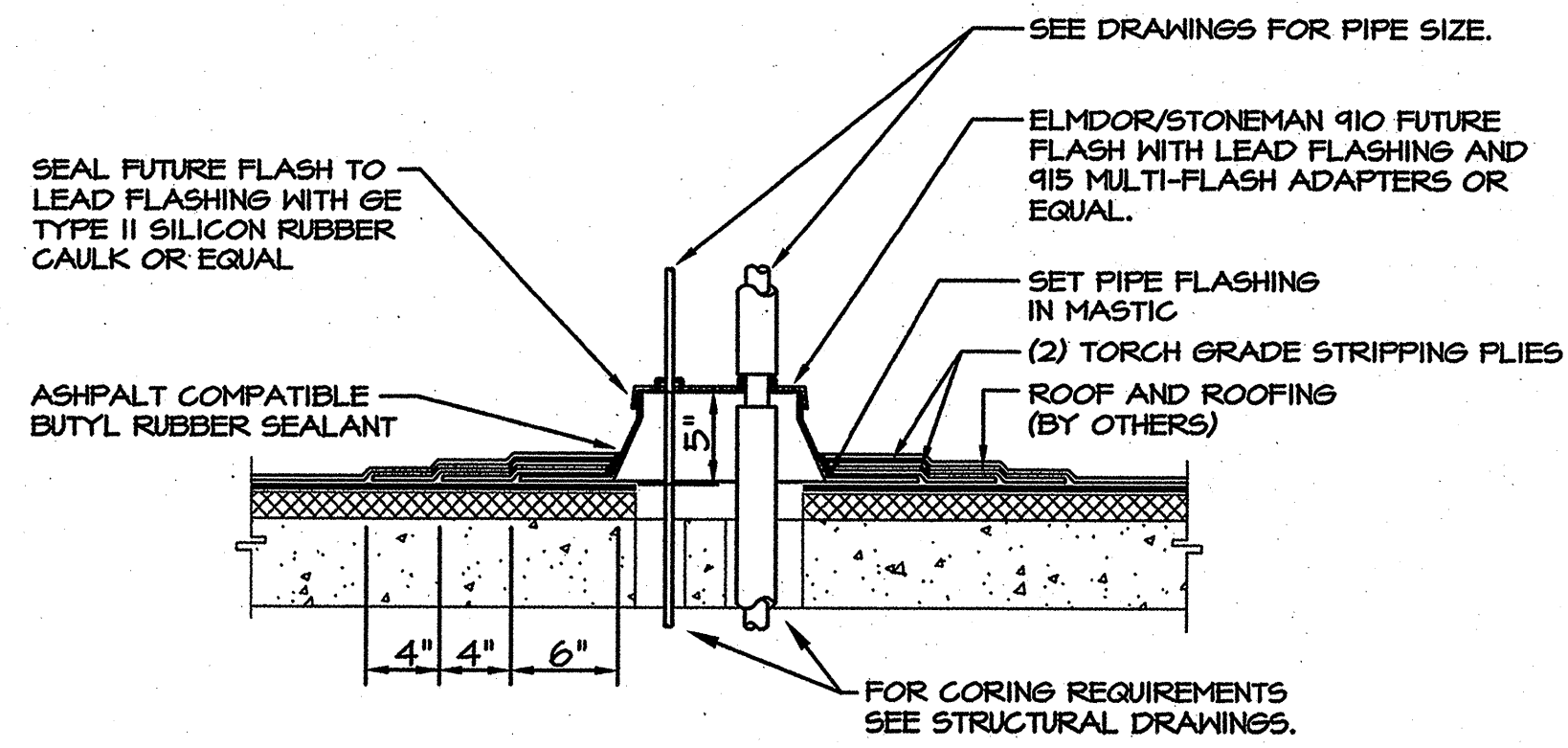


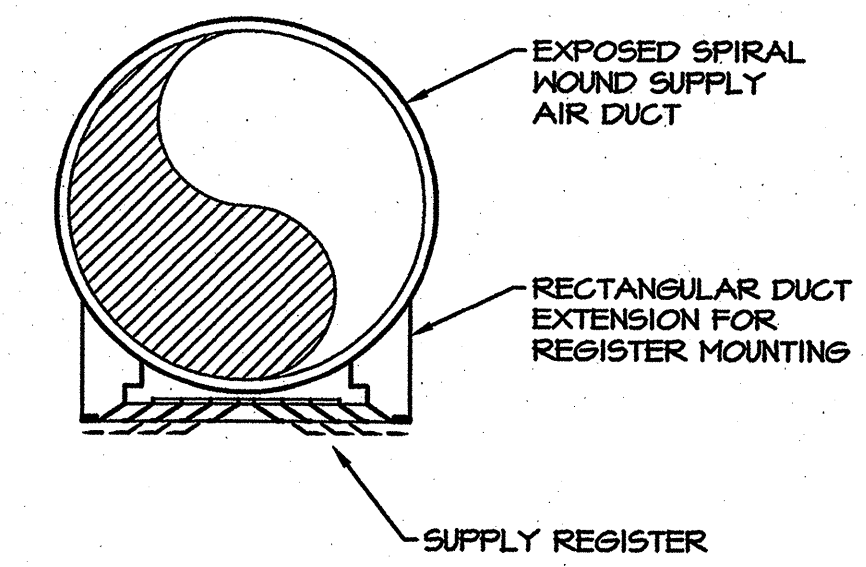
UNIT ATTACHMENT DETAIL
NO SCALE

3
M5.02



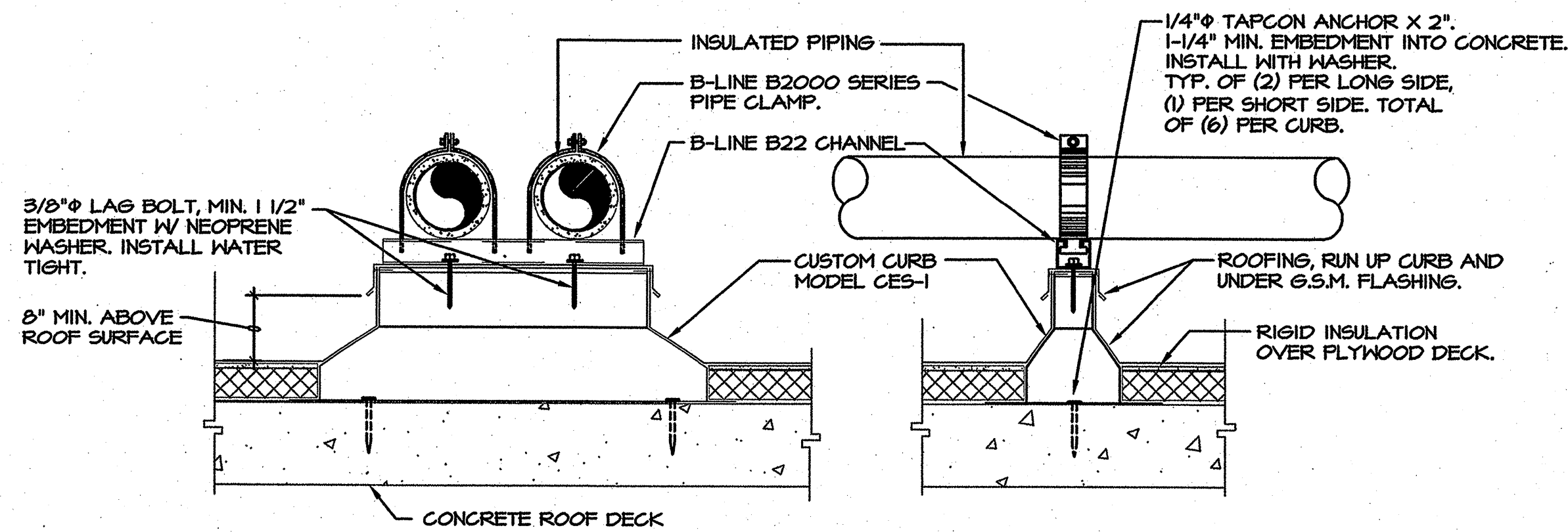
PIPE PENETRATION DETAIL
NO SCALE

2
M5.02



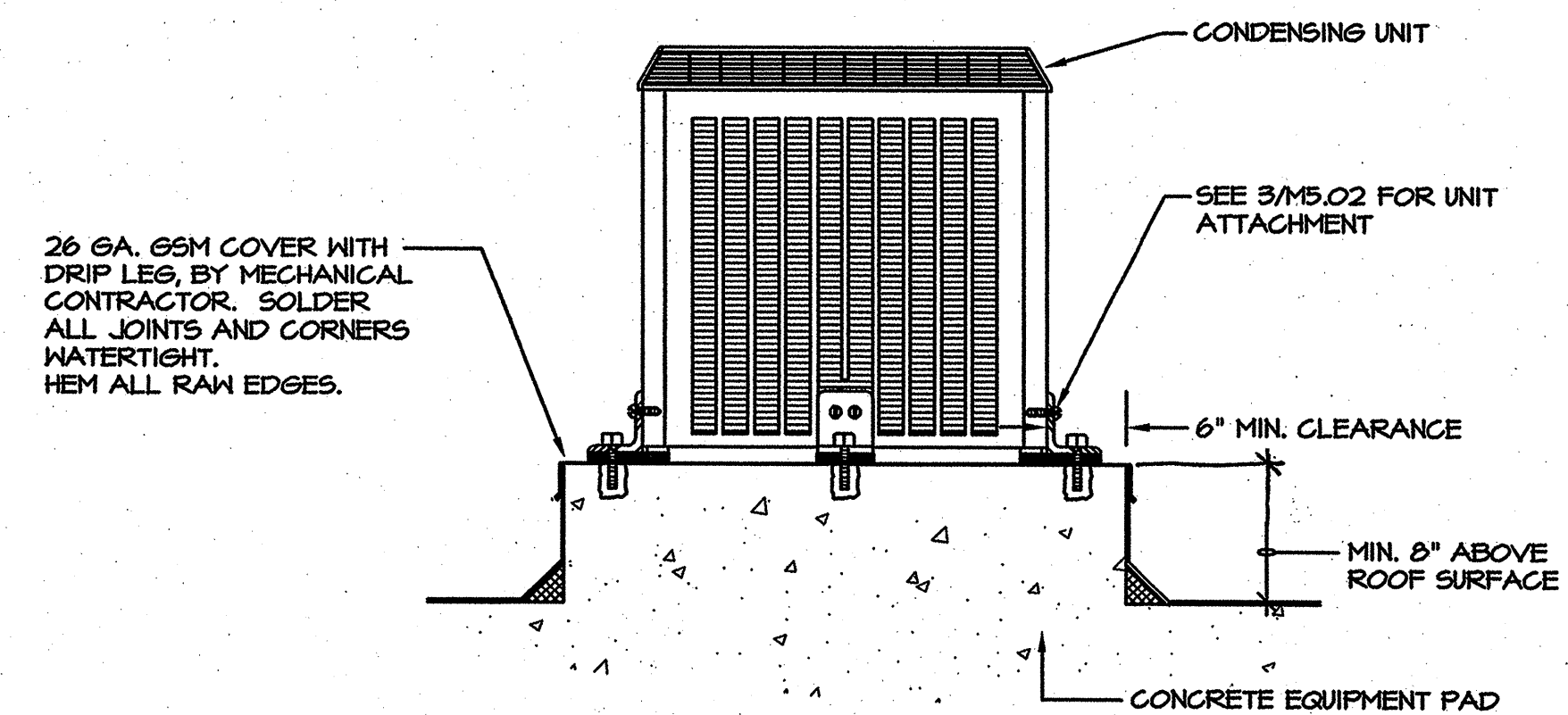
SUPPLY AIR REGISTER DETAIL
NO SCALE

1
M5.02



PIPE MOUNTING ON ROOF
NO SCALE

5
M5.02



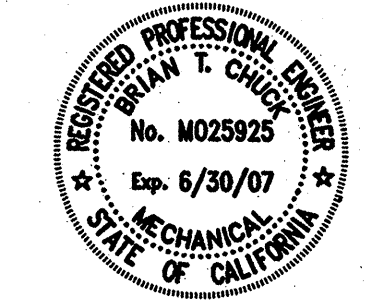
CONDENSING UNIT MOUNTING DETAIL
NO SCALE

4
M5.02

ARCHITECT OF RECORD
noll tam
architects and planners

729 Heinz Avenue
Berkeley, CA 94710
510.649.8295
fax 510.649.3004

CONSULTANTS
McCracken & Woodman
INCORPORATED
Consulting Mechanical Engineers
355 Grand Avenue, Oakland, California 94610
Telephone (510) 763-4891 Fax (510) 763-0619



IDENTIFICATION STAMP
DIVISION OF THE STATE ARCHITECT
FILE NUMBER: 11-C1
APPLICATION NUMBER: 01-007611
AC _____ FL _____ SS _____
DATE _____

BID DOCUMENTS

CAÑADA COLLEGE
BUILDING 16, 17, 18
RENOVATION
SMCCCD
3401 CSM Drive
San Mateo, CA 94402
Cañada College
4200 Farm Hills Blvd.
Redwood City, CA 94061

SHEET TITLE
MECHANICAL DETAILS

| REVISIONS | | |
|-----------|----------|--|
| NO. | DATE | DESCRIPTION |
| 1 | 09/11/06 | ADDENDUM NO. 1 BIDS 16-18 MODERNIZATION |
| 2 | 09/18/06 | ADDENDUM NO. 2 BIDS 16-18 MODERNIZATION |
| 3 | 02/01/07 | RECORD SET |

DATE MARCH 1, 2006
DRAWN JP
CHECKED BC
SCALE AS NOTED
N&T JOB NO.: 2220.07

SHEET NUMBER
M5.02

acco engineered systems
1133 ALADDIN AVE
SAN LEANDRO, CALIFORNIA 94577
(510) 348-4300
628403 M0.01.DWG RC RJSSE
Job Number Filename Drawn By Project Mgr
86519
RECORD DRAWING District Contract #
DATE: 02-01-07 Contractor's Signature

