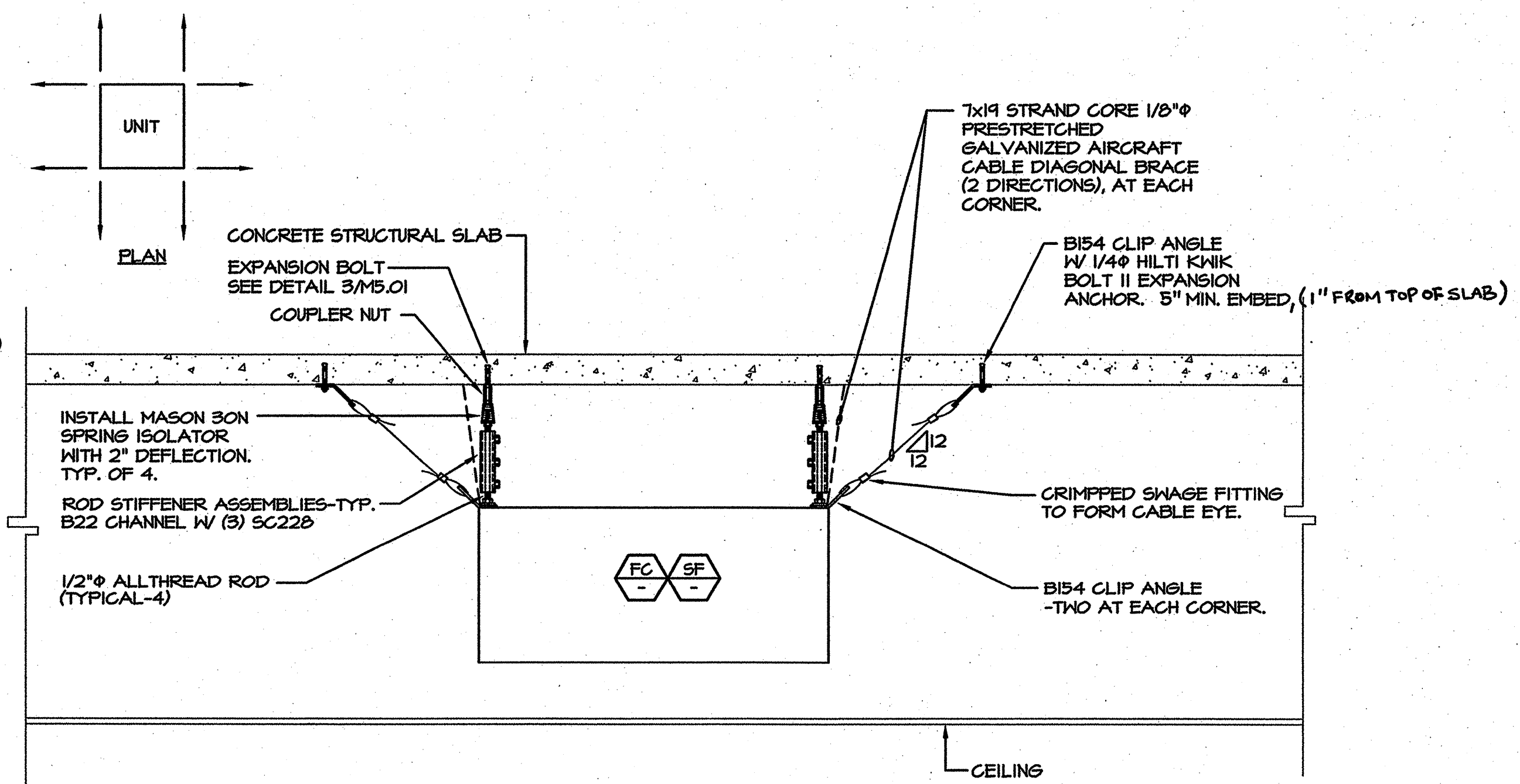


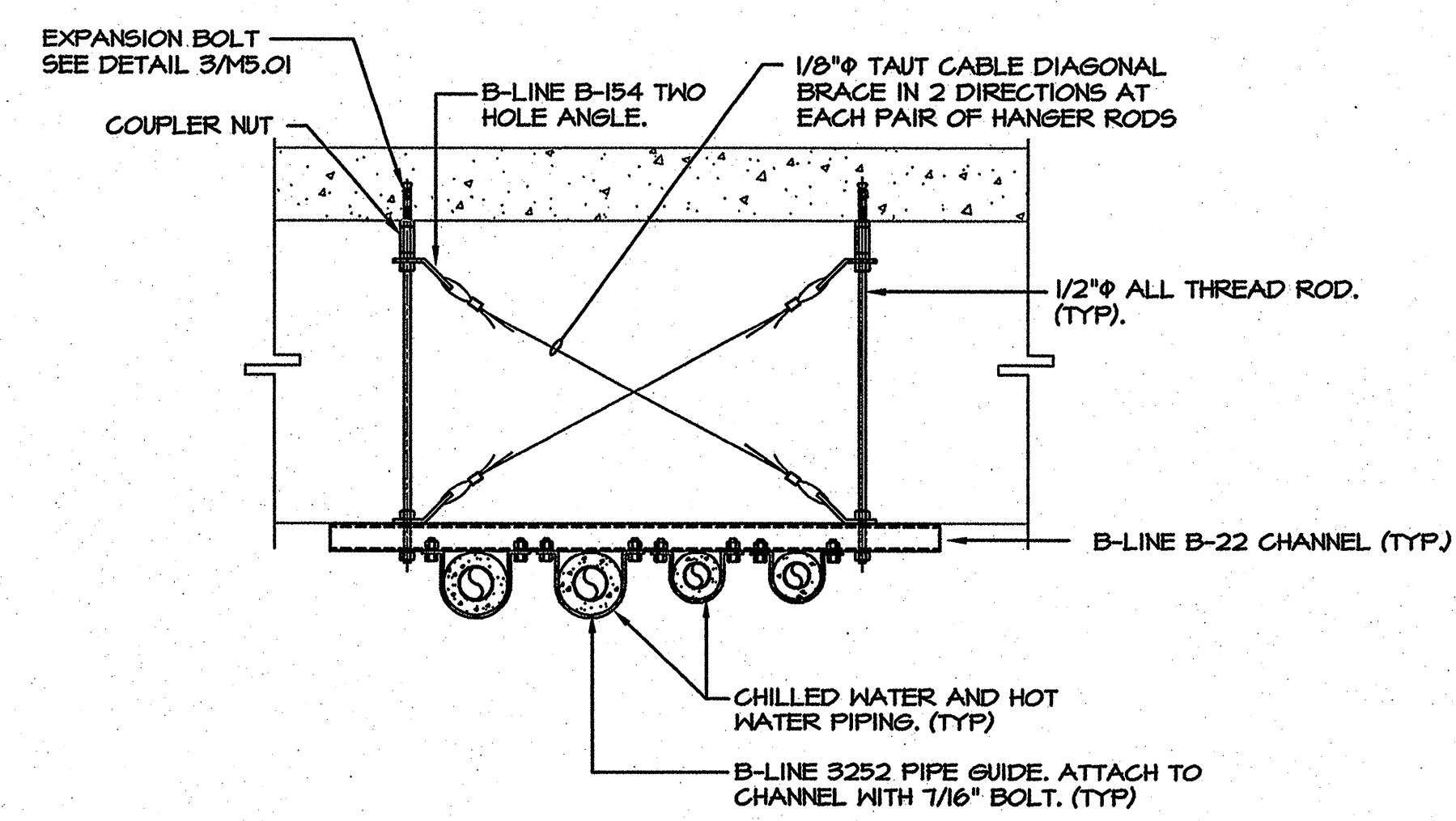
UNIT MOUNTED IN CEILING 2

- NO SCALE
- NOTES:
1. MAXIMUM ALLOWABLE UNIT WEIGHT = 325 LBS.
 2. CABLE BRACES SHALL BE INSTALLED SUCH THAT THE ONLY VISIBLE SLACK IS THAT DUE TO CABLE SAG. CABLES SHALL NOT SUPPORT GRAVITY LOADS.



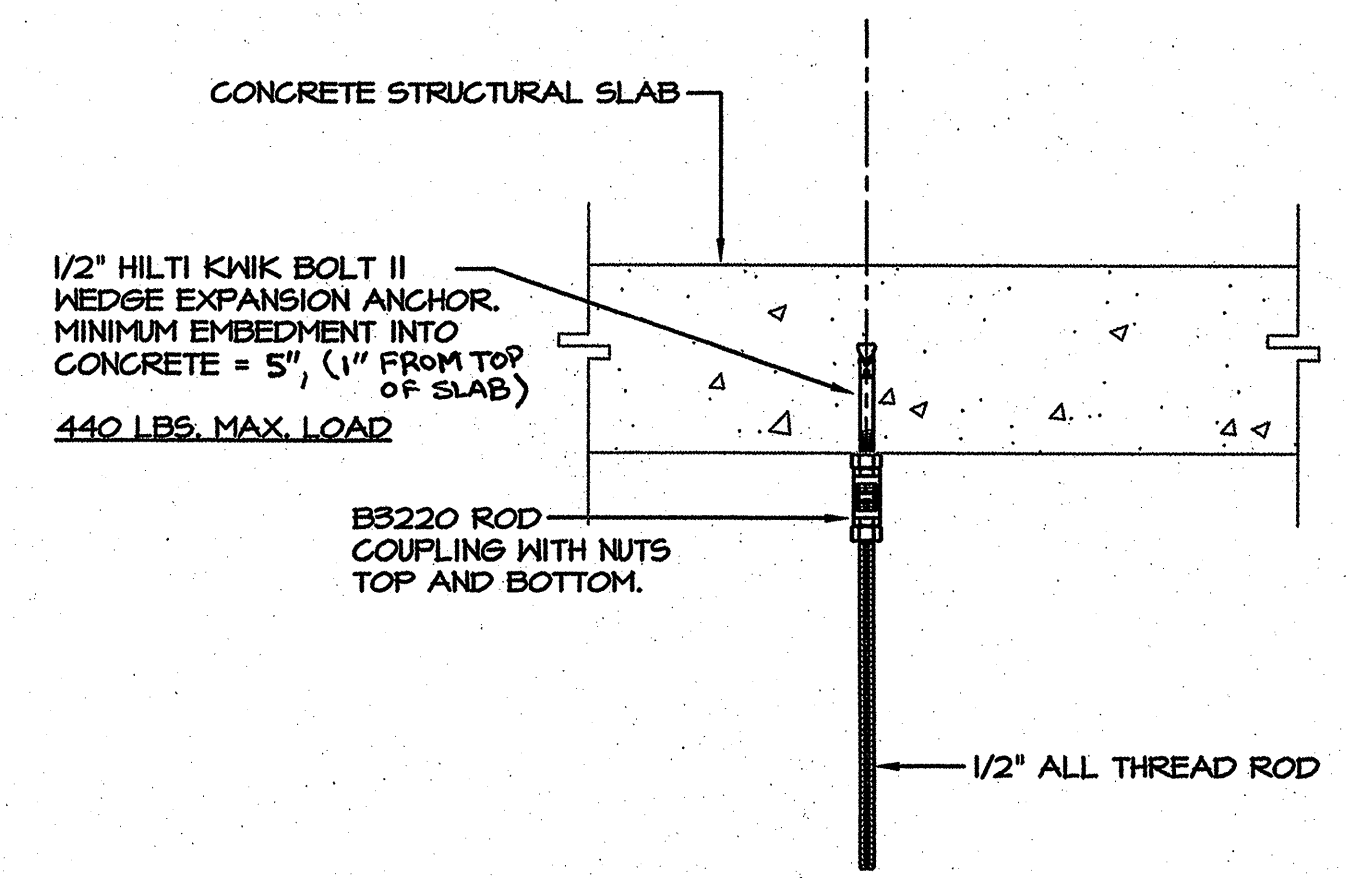
FAN COIL UNIT AND SUPPLY FAN MOUNTING DETAIL 1

- NO SCALE
- NOTES:
1. MAXIMUM ALLOWABLE UNIT WEIGHT = 325 LBS.
 2. CABLE BRACES SHALL BE INSTALLED SUCH THAT THE ONLY VISIBLE SLACK IS THAT DUE TO CABLE SAG. CABLES SHALL NOT SUPPORT GRAVITY LOADS.



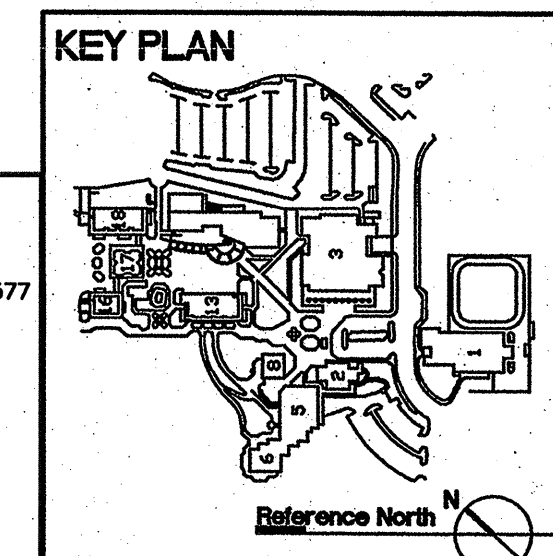
PIPE MOUNTING DETAIL 4

NO SCALE



STRUCTURE CONNECTION DETAIL 3

NO SCALE



acco engineered systems
 1133 ALADDIN AVE
 SAN LEANDRO, CALIFORNIA 94577
 (510) 348-4300

626403 MO.01.DWG RC RISSE
 Job Number Filename Drawn By Project Mgr
 86519

RECORD DRAWING District Contract #
 DATE: 02-01-07 Contractor's Signature

ARCHITECT OF RECORD

noll tam
 architects and planners

729 Heinz Avenue
 Berkeley, CA 94710
 510.649.8295
 fax 510.649.3006

CONSULTANTS

McCracken & Woodman
 INCORPORATED

Consulting Mechanical Engineers
 355 Grand Avenue, Oakland, California 94610
 Telephone (510) 763-4891 Fax (510) 763-0619

REGISTERED PROFESSIONAL ENGINEER
 MECHANICAL
 STATE OF CALIFORNIA
 No. M025825
 Exp. 6/30/07

IDENTIFICATION STAMP
 DIVISION OF THE STATE ARCHITECT

FILE NUMBER: 41-01
 APPLICATION NUMBER: 01-10911

AC: _____ FL: _____ SS: _____
 DATE: _____

BID DOCUMENTS

CAÑADA COLLEGE
 BUILDING 16, 17, 18
 RENOVATION

SMCCCD
 3401 CSM Drive
 San Mateo, CA 94402
 Cañada College
 4200 Farm Hills Blvd.
 Redwood City, CA 94061

SHEET TITLE

MECHANICAL DETAILS

NO.	DATE	DESCRIPTION
1	08/11/06	APPENDIX NO. 1 BLDG. MODERNIZATION
2	08/18/06	APPENDIX NO. 2 BLDG. 16-18 MODERNIZATION
3	02/01/07	RECORD SET

DATE: MARCH 1, 2006
 DRAWN: JP
 CHECKED: BC
 SCALE: AS NOTED
 N&T JOB NO.: 2220.07

SHEET NUMBER

M5.01