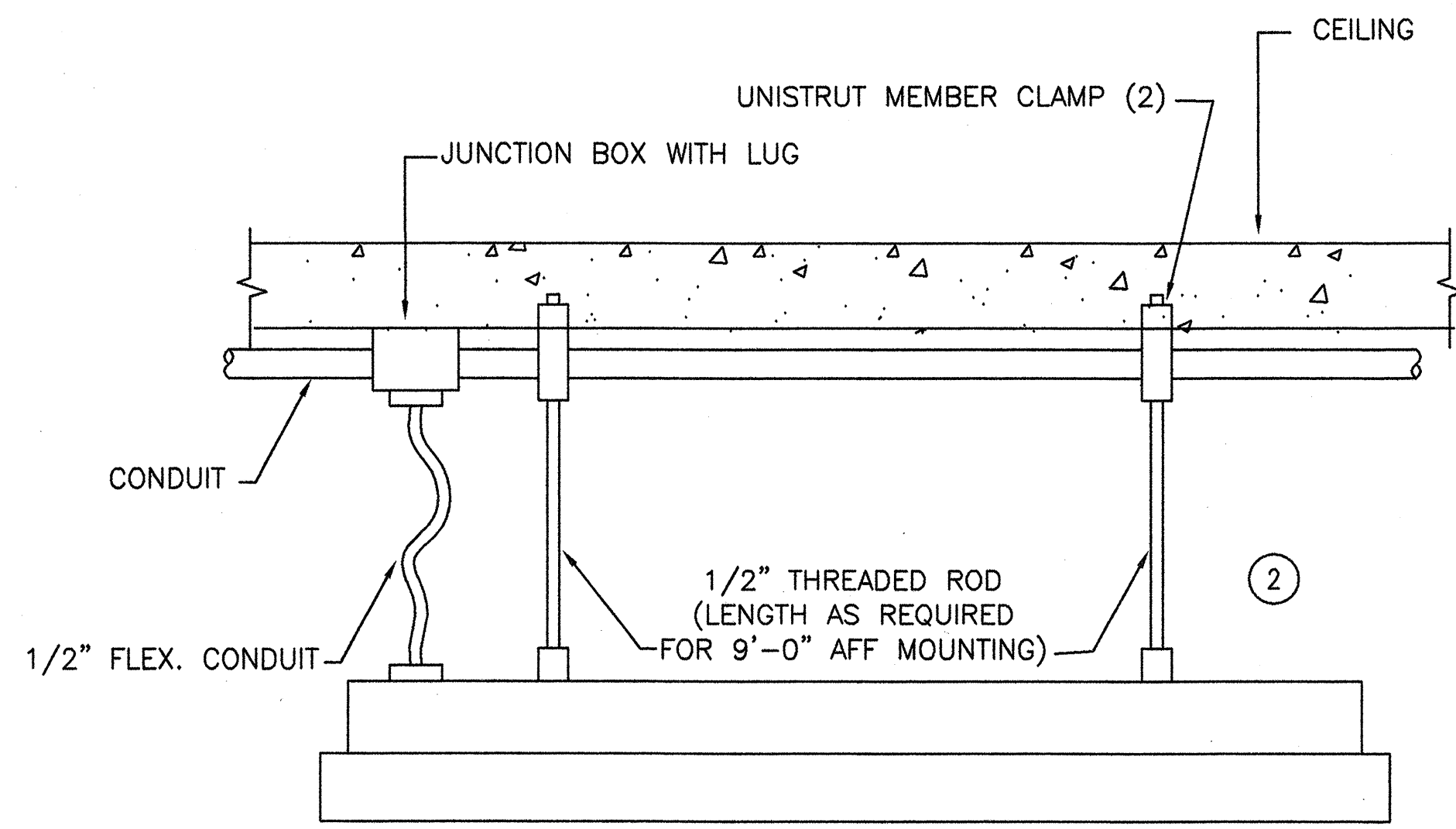
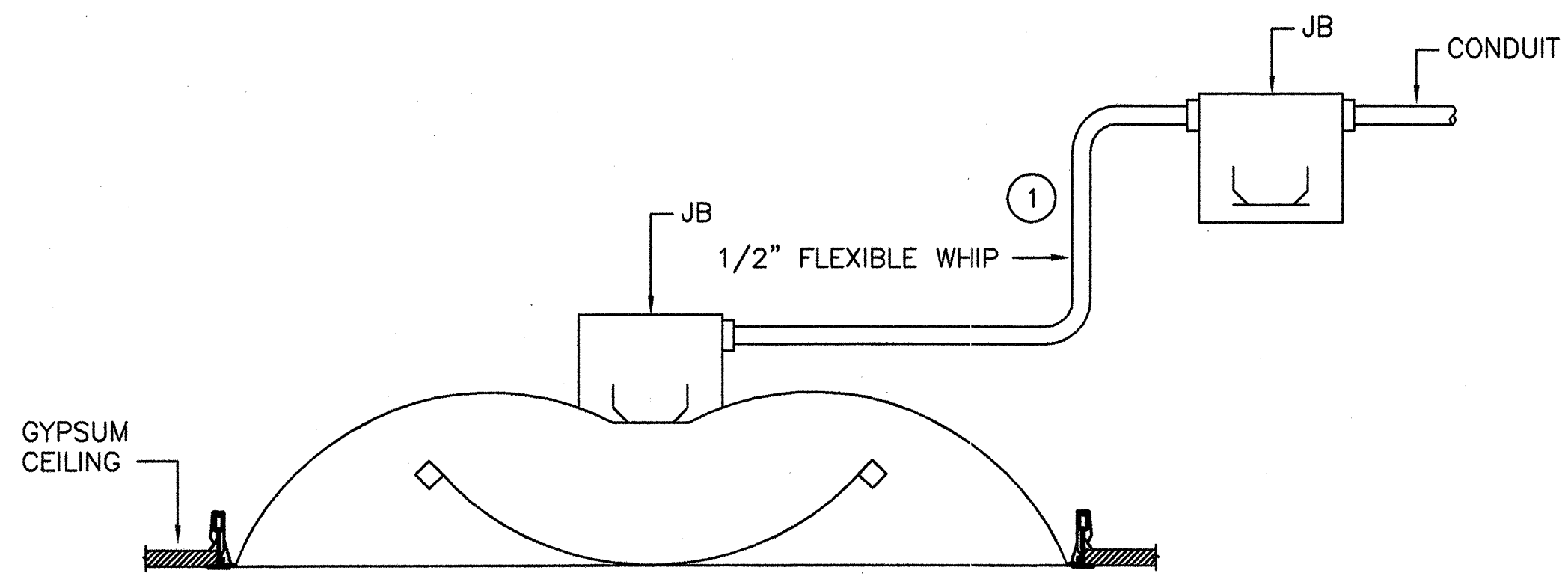


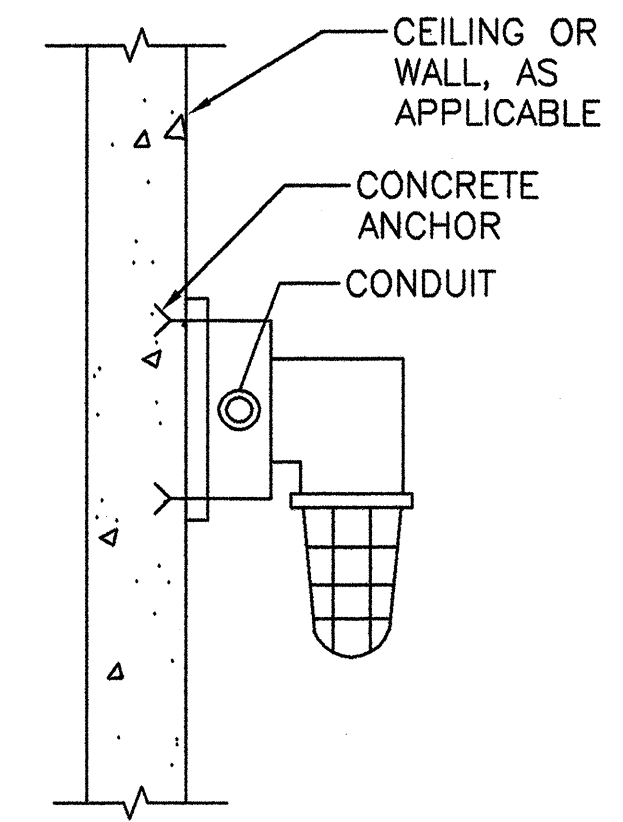
1 FIXTURE TYPE "F1, F5, F6, F7 AND F9" MOUNTING DETAIL  
E4.01 N.T.S.



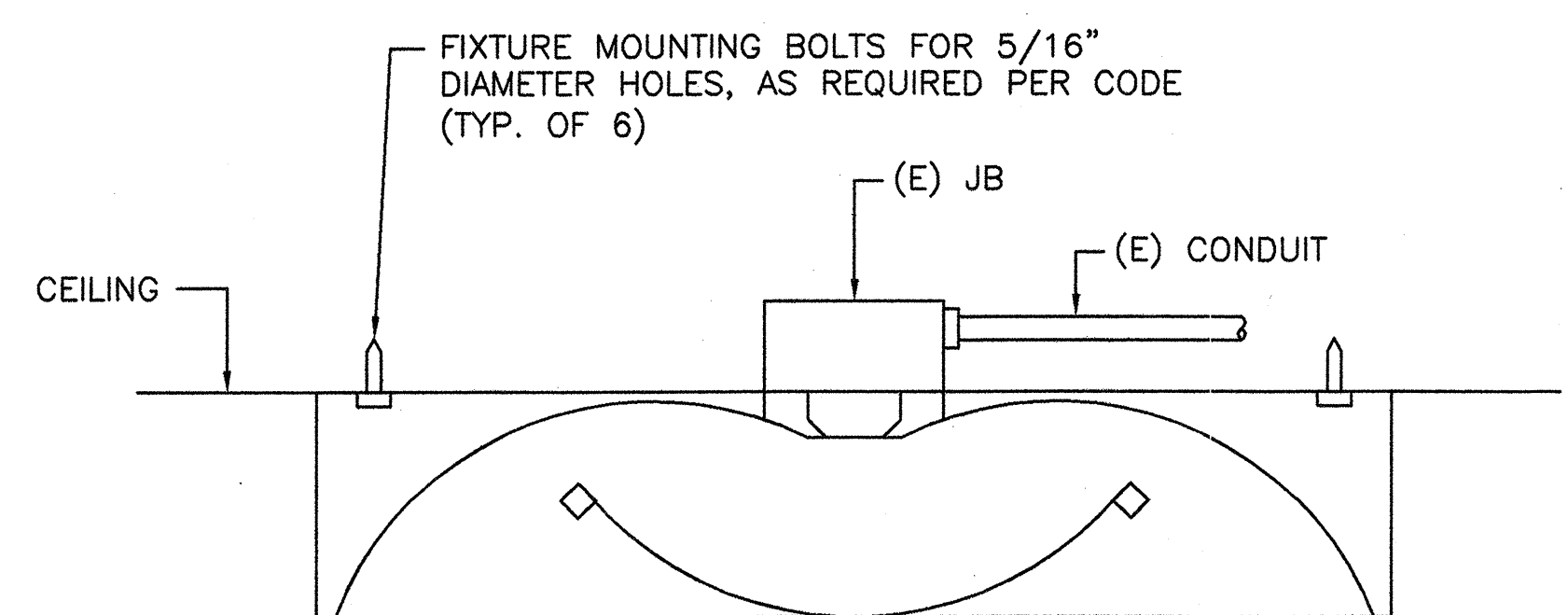
4 FIXTURE TYPE "F8 AND F11" MOUNTING DETAIL  
E4.01 N.T.S.



2 FIXTURE TYPE "F2" MOUNTING DETAIL  
E4.01 N.T.S.



5 FIXTURE TYPE "F4, F10, F12 AND F13" MOUNTING DETAIL  
E4.01 N.T.S.



3 FIXTURE TYPE "F3" MOUNTING DETAIL  
E4.01 N.T.S.

NOTES:

1. REFER TO DWG. E0.01 FOR ELECTRICAL GENERAL NOTES, SYMBOLS AND ABBREVIATIONS.
2. REFER TO DWG. E0.02 FOR LIGHTING FIXTURE SCHEDULE.
3. INSTALL ALL LIGHT FIXTURES PER MANUFACTURER'S REQUIREMENTS.

KEY NOTES:

- 1 THE FLEXIBLE CONDUIT THAT ENTERS THE FIXTURE SHALL BE LONG ENOUGH TO ENABLE THE FIXTURE TO BE RELOCATED WITHIN A 4-FOOT HORIZONTAL RADIUS.
- 2 PROVIDE BRACING, AS REQUIRED, PER CODE.

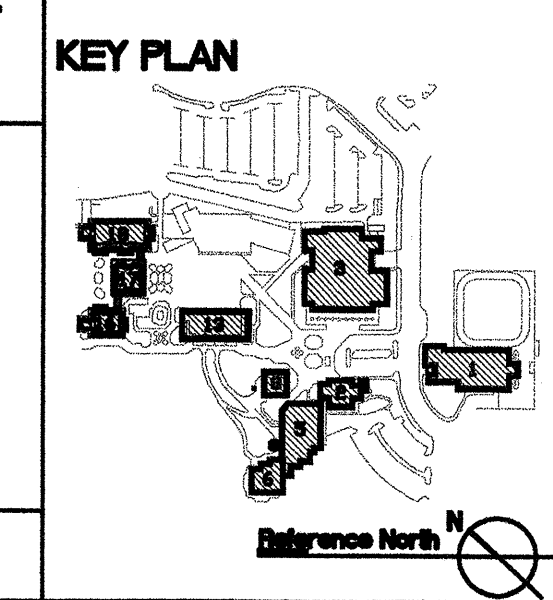


**CAÑADA COLLEGE**  
BUILDING 16, 17, 18  
RENOVATION  
SMCCCD  
3401 CSM Drive  
San Mateo, CA 94402  
Cañada College  
4200 FarmHills Blvd.  
Redwood City, CA 94061

SHEET TITLE  
**LIGHTING DETAILS**

REVISIONS		
NO.	DATE	DESCRIPTION

PROJECT RECORD DOCUMENT  
BID: 86519 DATED 2-7-07  
PREPARED BY:  
**Engelhart**  
ELECTRIC CO. INC.  
SERVES THE PENINSULA  
ELECTRICAL CONTRACTOR • LICENSE #399195  
1052 Commercial Street, San Carlos, Ca. 94070  
Bus: (650) 595-1091 • Fax: (650) 595-5489



DATE  
DRAWN U. TRUONG  
CHECKED D. DIAS  
SCALE NONE  
N&T JOB NO.:  
SHEET NUMBER  
**E4.01**