
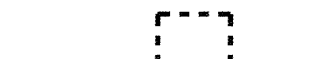
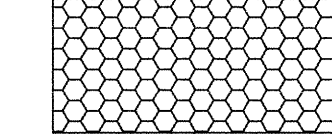
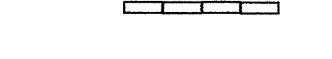
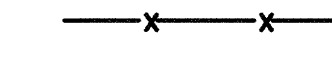
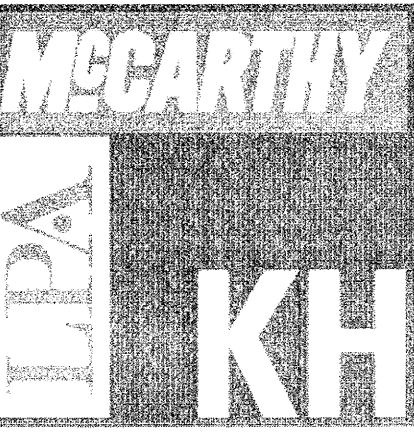


NOTES:

1. SEE SHEET C9.04 FOR EROSION CONTROL NOTES AND DETAILS.
2. PLACE EROSION CONTROL FABRIC ALONG BOTTOM EDGE OF ALL CHAIN LINK FENCING. SEE DETAIL 5 ON SHEET 9.04.
3. PROTECT ALL EXISTING INLETS PER DETAIL 1 ON SHEET C9.04.
4. PROTECT ALL STOCKPILES IN ACCORDANCE WITH THE SWPPP APPENDIX Q, SECTION WM-3. STOCKPILES SHALL HAVE A FIBER ROLL AROUND ENTIRE PERIMETER.
5. PROVIDE AN ENTRANCE/OUTLET TIRE WASH IN COORDINATION WITH THE DESIGNATED CONSTRUCTION ENTRANCE/EXITS. CONSULT WITH THE SWPPP APPENDIX Q, SECTION TC-3 FOR ALL APPLICABLE REQUIREMENTS.

LEGEND:

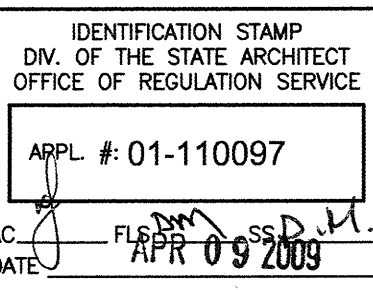
-  FIBER ROLL
SEE DETAIL 3 ON SHEET C9.04
-  INLET PROTECTION
SEE DETAIL 1 ON SHEET C9.04
-  STABILIZED CONSTRUCTION ENTRANCE
SEE DETAIL 2 ON SHEET C9.04
-  GRAVEL FILLED BAG CHECK DAMS
SEE DETAIL 4 ON SHEET C9.04
-  CHAIN LINK FENCE WITH SILT FENCE ALONG BOTTOM EDGE
SEE DETAIL 5 ON SHEET C9.04



McCarthy Building Companies, Inc.
343 Sansome Street, 14th Floor
San Francisco, California 94104
P 415 | 364-1339
F 415 | 397-5999



255 SHORELINE DRIVE, SUITE 200
REDWOOD CITY, CA 94065
PHONE: (650) 482-6300
FAX: (650) 482-6399



This set of drawings and all data, methods and design incorporated therein are instruments of service. The project documents are the property of BKF, Inc. and shall be used only for the project or projects specifically described in the contract for project or projects. No part of these drawings or project documents shall be reproduced, stored in a retrieval system, or transmitted in any form or by any means, electronic, mechanical, photocopying, recording, or by any information storage and retrieval system, without the prior written consent of BKF, Inc. The user of these drawings and project documents shall be responsible for obtaining all necessary permits and approvals from all applicable regulatory agencies. BKF, Inc. shall not be responsible for any errors or omissions in these drawings and project documents. The user of these drawings and project documents shall be responsible for any errors or omissions in these drawings and project documents. The user of these drawings and project documents shall be responsible for any errors or omissions in these drawings and project documents.

Copyright 2008

**College of San Mateo
Site Package**
San Mateo, CA
Developed for
San Mateo County Community College District

Revision	Description	Date

Revision	Description	Date

Job No.	27082.30
Date	09 APRIL 2009
Drawn by	MD, JT
Checked by	RH
Scale	1"=40'

EROSION CONTROL PLAN
C9.02