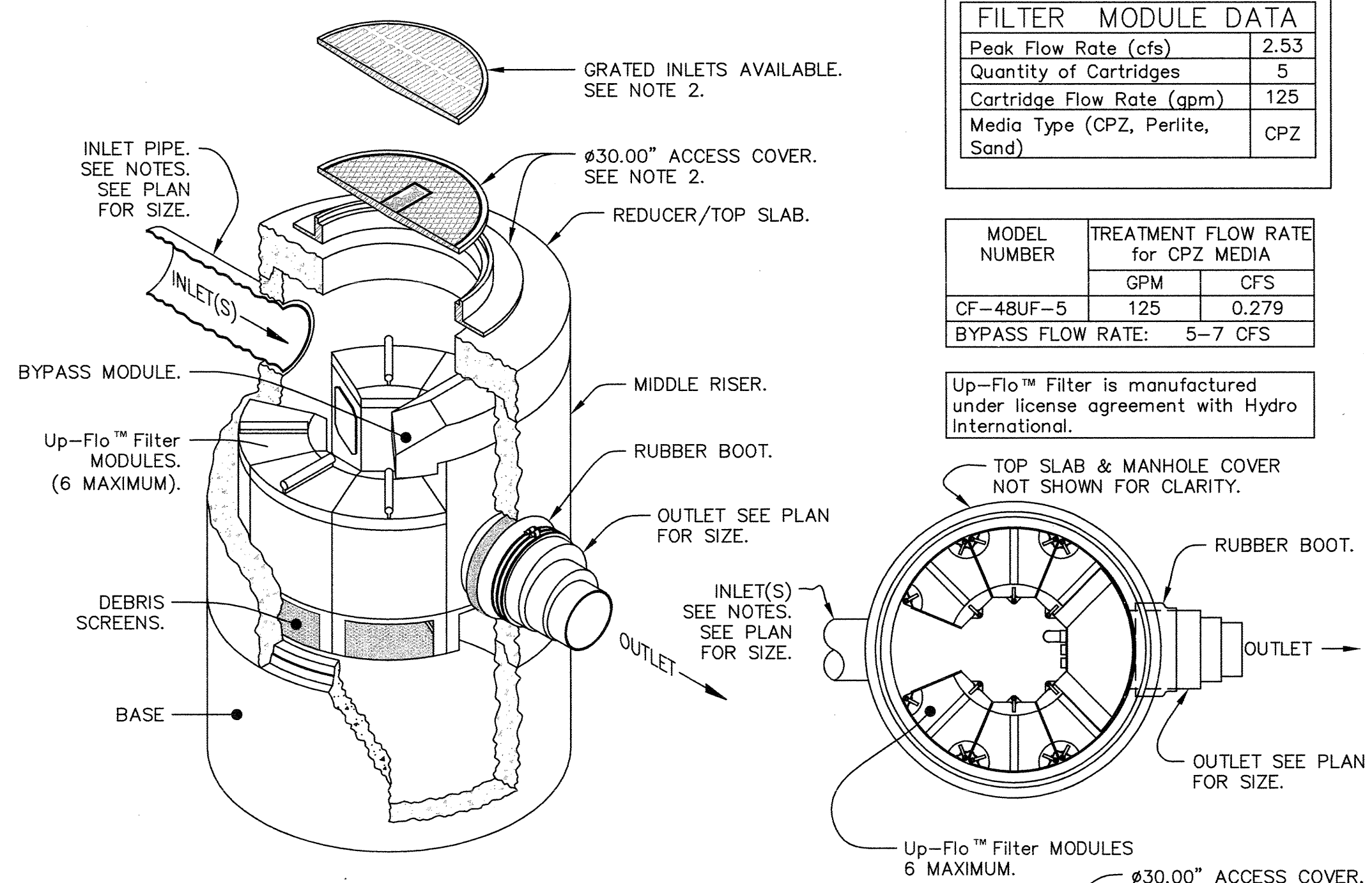


PROJECT DATA

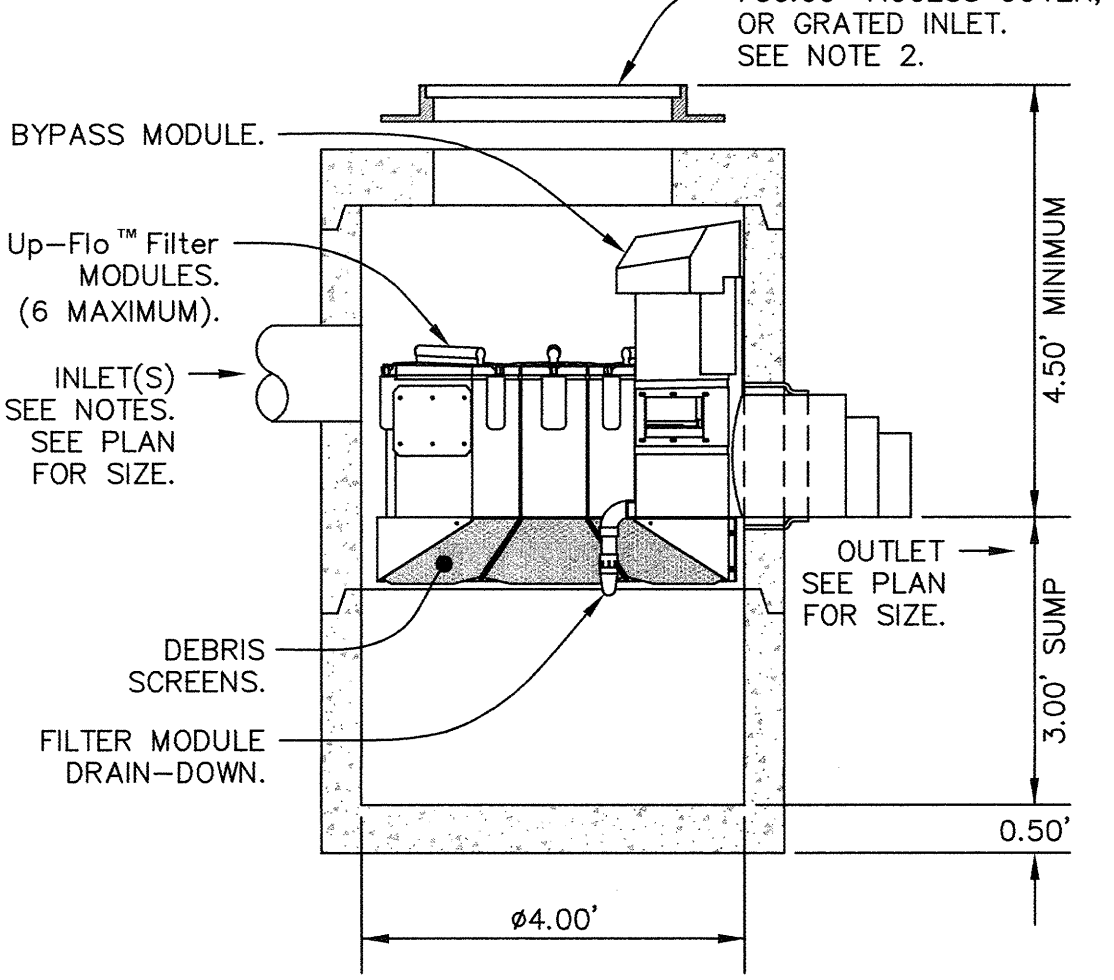
VAULT DATA			
RIM ELEVATION	806.33'		
PIPE INLET(S)/OUTLET ID	PIPE INVERT ID	PIPE TYPE	
INLET	592.84'	12"	PVC
OUTLET	591.34'	12"	PVC
FILTER MODULE DATA			
Peak Flow Rate (cfs)	2.53		
Quantity of Cartridges	5		
Cartridge Flow Rate (gpm)	125		
Media Type (CPZ, Perlite, Sand)	CPZ		

MODEL NUMBER	TREATMENT FLOW RATE for CPZ MEDIA	
	GPM	CFS
CF-48UF-5	125	0.279
BYPASS FLOW RATE: 5-7 CFS		

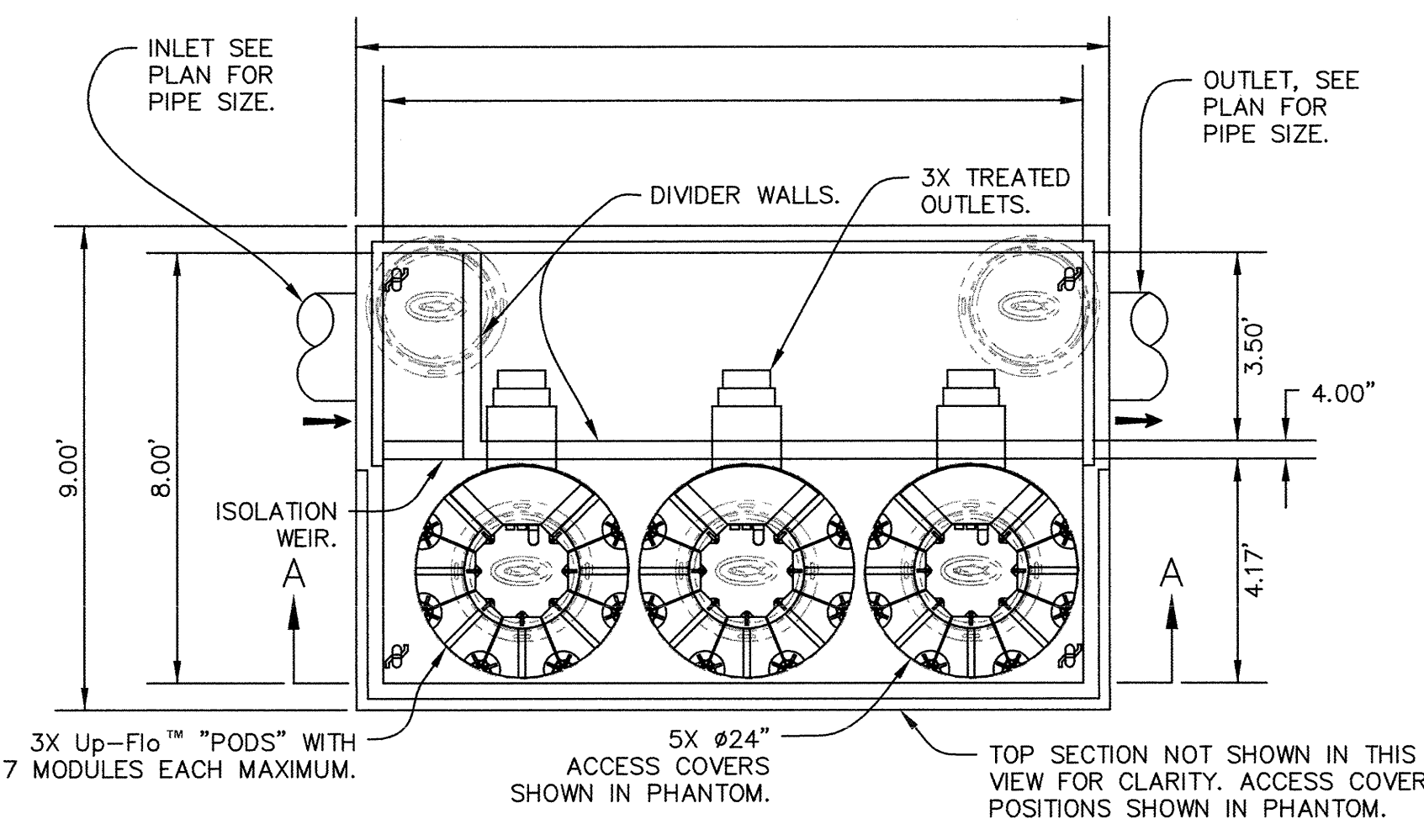
Up-Flo™ Filter is manufactured under license agreement with Hydro International.



- NOTES:
1. PRECAST CONCRETE STRUCTURE SHALL BE MANUFACTURED IN ACCORDANCE WITH ASTM DESIGNATION C478.
 2. CAST IRON ACCESS COVER ASSEMBLIES SHALL BE BOLTED WITH GASKET. CUSTOM SIZE COVERS & INLET GRATES AVAILABLE PER CUSTOMER REQUIREMENT.
 3. FOR STRUCTURE DIMENSIONS OTHER THAN THOSE SHOWN, REFER TO CUSTOM STRUCTURE DRAWING. DETAIL REFLECTS DESIGN INTENT ONLY. REFER TO PROJECT SPECIFIC DRAWINGS FOR ACTUAL DIMENSIONS.
 4. STRUCTURE MAY BE SPECIFIED WITH EXTENDED BASE SLAB TO ALLOW FOR ANTI-FLOATATION BALLAST. CONTACT KRISTAR ENTERPRISES FOR ADDITIONAL INFORMATION.
 5. INLET & OUTLET ELEVATIONS, MAY DIFFER BY 0-3 FEET. FOR INVERT ELEVATION DIFFERENCES THAT EXCEED 3 FEET CONTACT KRISTAR ENTERPRISES. MULTIPLE INLETS CAN BE ACCOMMODATED.
 6. CUSTOM SYSTEMS ARE AVAILABLE FOR PIPE ORIENTATIONS OR SIZES NOT SHOWN. CONTACT KRISTAR ENTERPRISES FOR ENGINEERING ASSISTANCE.
 7. MULTI-SIZE OUTLET IS DESIGNED TO ACCEPT PVC SDR-35 (ø10", ø12", & ø15").



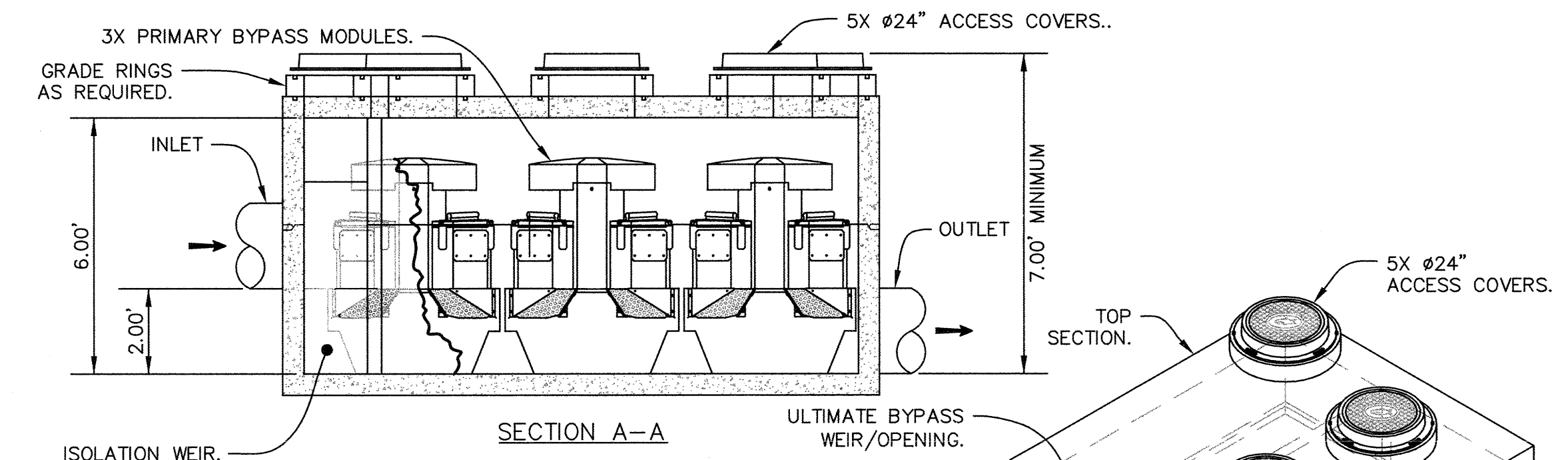
SECTION VIEW



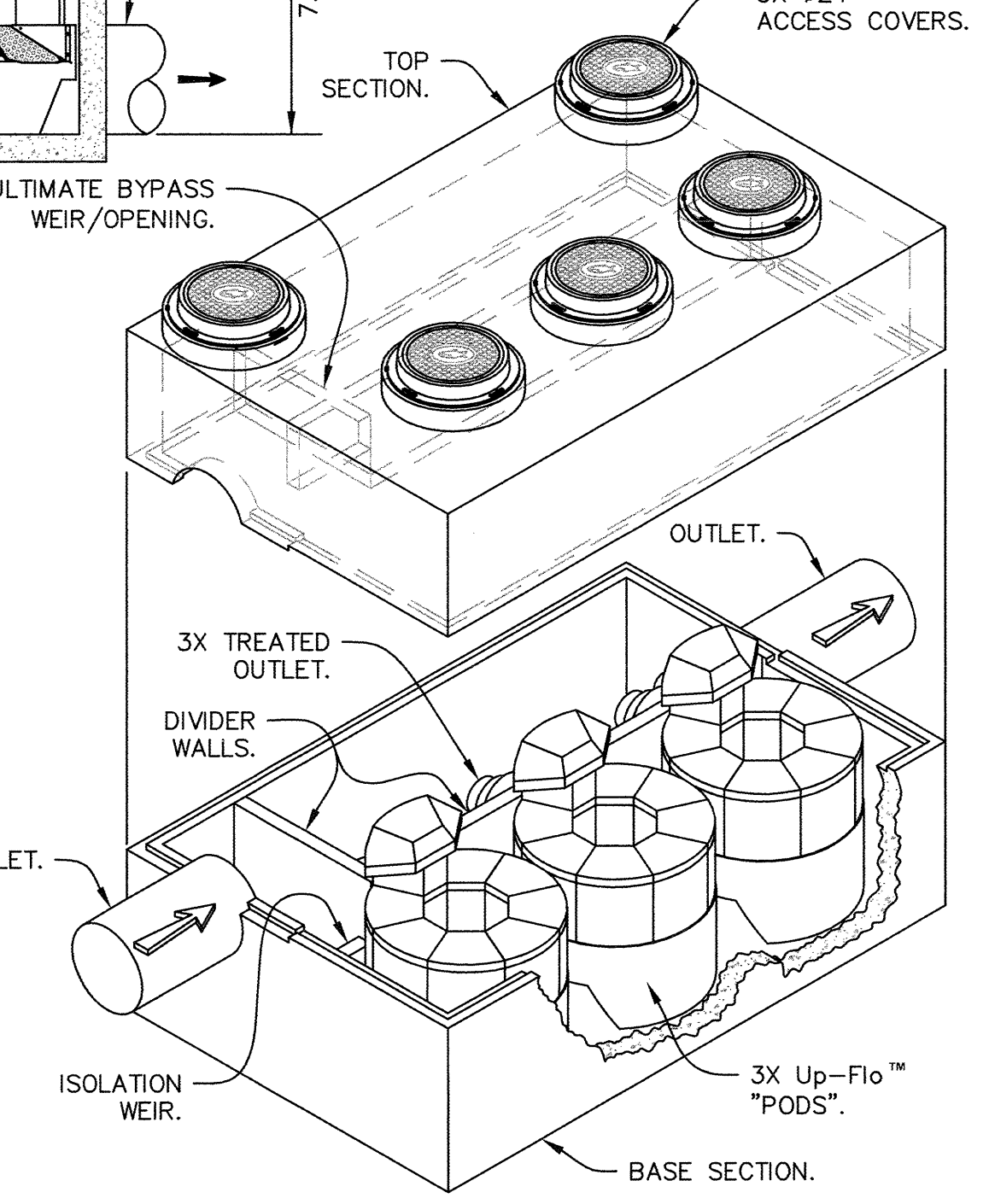
PROJECT DATA

VAULT DATA			
RIM ELEVATION	537.81'		
PIPE INLET(S)/OUTLET ELEVATION	PIPE ID	PIPE TYPE	
INLET	534.28'	18"	PVC
OUTLET	532.28'	18"	PVC
FILTER MODULE DATA			
Peak Flow Rate (cfs)	10.61		
Quantity of Cartridges	19		
Cartridge Flow Rate (gpm)	475		
Media Type (CPZ, Perlite, Sand)	CPZ		

Up-Flo™ Filter is owned by Hydro International and licensed to KrStar Enterprises, Inc.

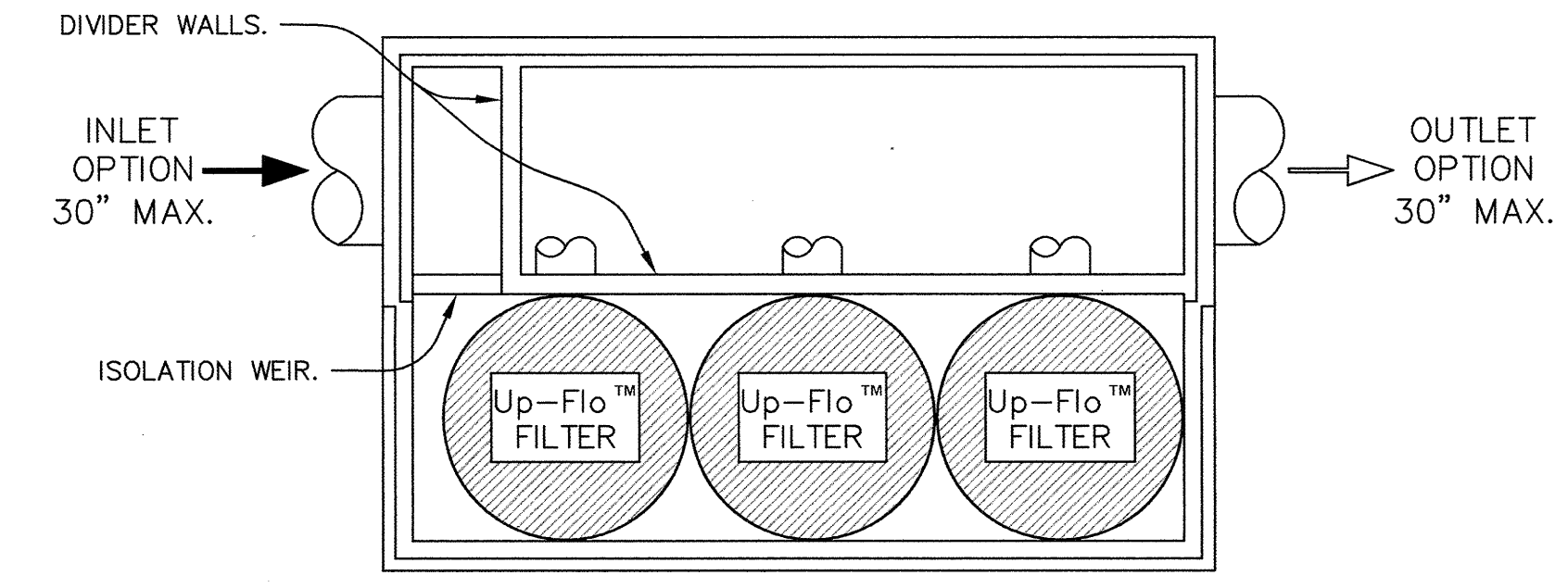


- NOTES:
1. PRECAST CONCRETE STRUCTURE SHALL BE MANUFACTURED IN ACCORDANCE WITH ASTM DESIGNATION C857 AND C858.
 2. STRUCTURE AND ACCESS COVERS MUST MEET AASHTO H20-44 LOAD RATING.
 3. CAST IRON ACCESS COVER ASSEMBLIES SHALL BE BOLTED WITH GASKET.
 4. FOR STRUCTURE DIMENSIONS OTHER THAN THOSE SHOWN, REFER TO CUSTOM STRUCTURE DRAWING. DETAIL REFLECTS DESIGN INTENT ONLY. REFER TO PROJECT SPECIFIC DRAWINGS FOR ACTUAL DIMENSIONS.
 5. STRUCTURE MAY BE SPECIFIED WITH ANTI-FLOATATION EXTENDED BASE SLAB TO ALLOW FOR ANTI-FLOATATION BALLAST TO BE SPECIFIED BY ENGINEER. CONTACT KRISTAR ENTERPRISES FOR ADDITIONAL INFORMATION.
 6. INLET OUTLET ELEVATIONS, MAY DIFFER BY 0-3 FEET. FOR INVERT ELEVATION DIFFERENCES THAT EXCEED 3 FEET CONTACT KRISTAR ENTERPRISES.
 7. SYSTEM MAY BE EQUIPPED WITH OPTIONAL DRAIN-DOWN APPARATUS TO ELIMINATE STANDING WATER IN SEDIMENTATION CHAMBER.
 8. CUSTOM SYSTEMS ARE AVAILABLE FOR PIPE ORIENTATIONS OR SIZES NOT SHOWN. CONTACT KRISTAR ENTERPRISES FOR ENGINEERING ASSISTANCE.



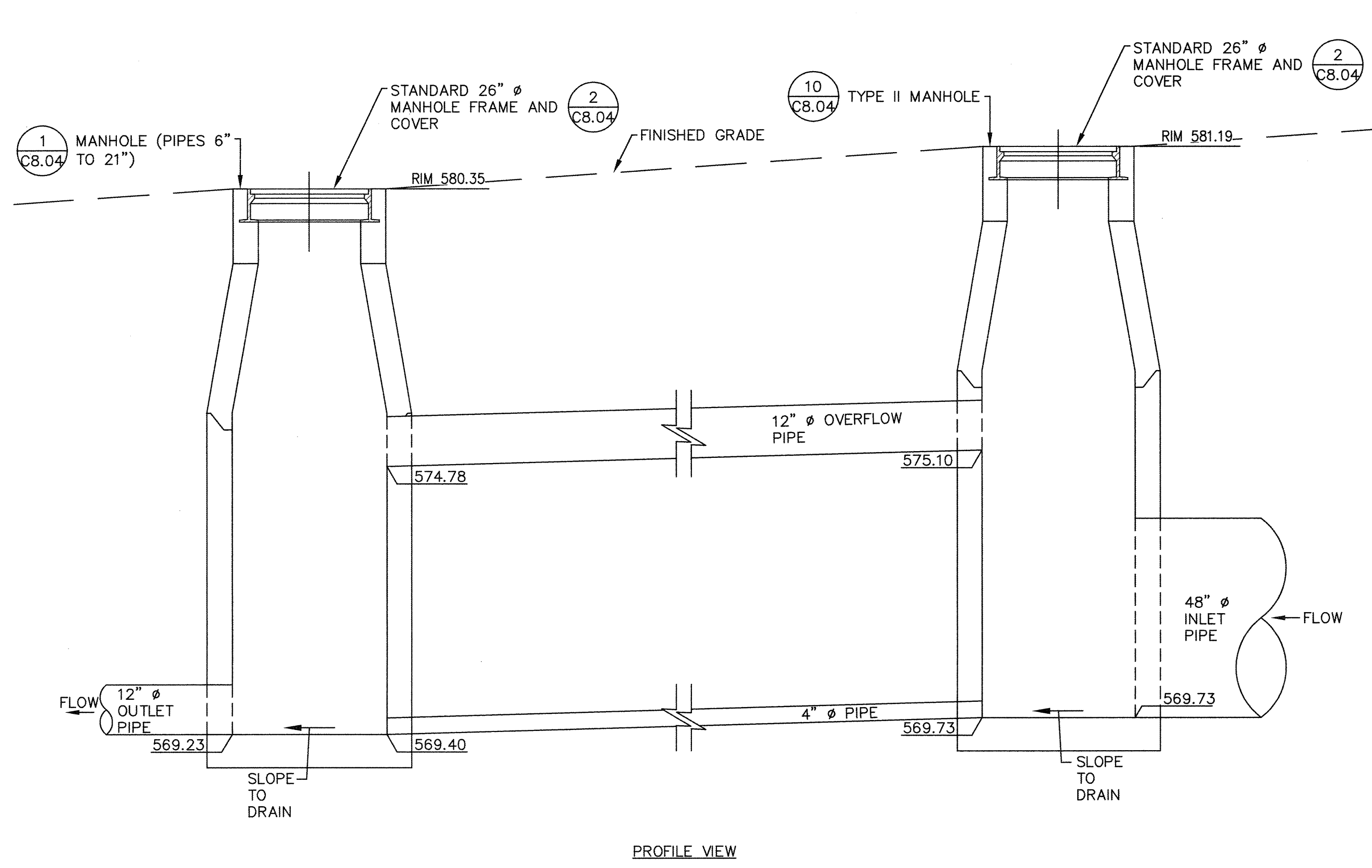
MODEL NUMBER	TREATMENT FLOW RATE for CPZ MEDIA	
	GPM	CFS
CF-813UF-19	475	1.06

Up-Flo™ Filter is owned by Hydro International and licensed to KrStar Enterprises, Inc.



KRISTAR UP-FLO FILTER 48" MANHOLE 6 MODULE MAXIMUM

NTS



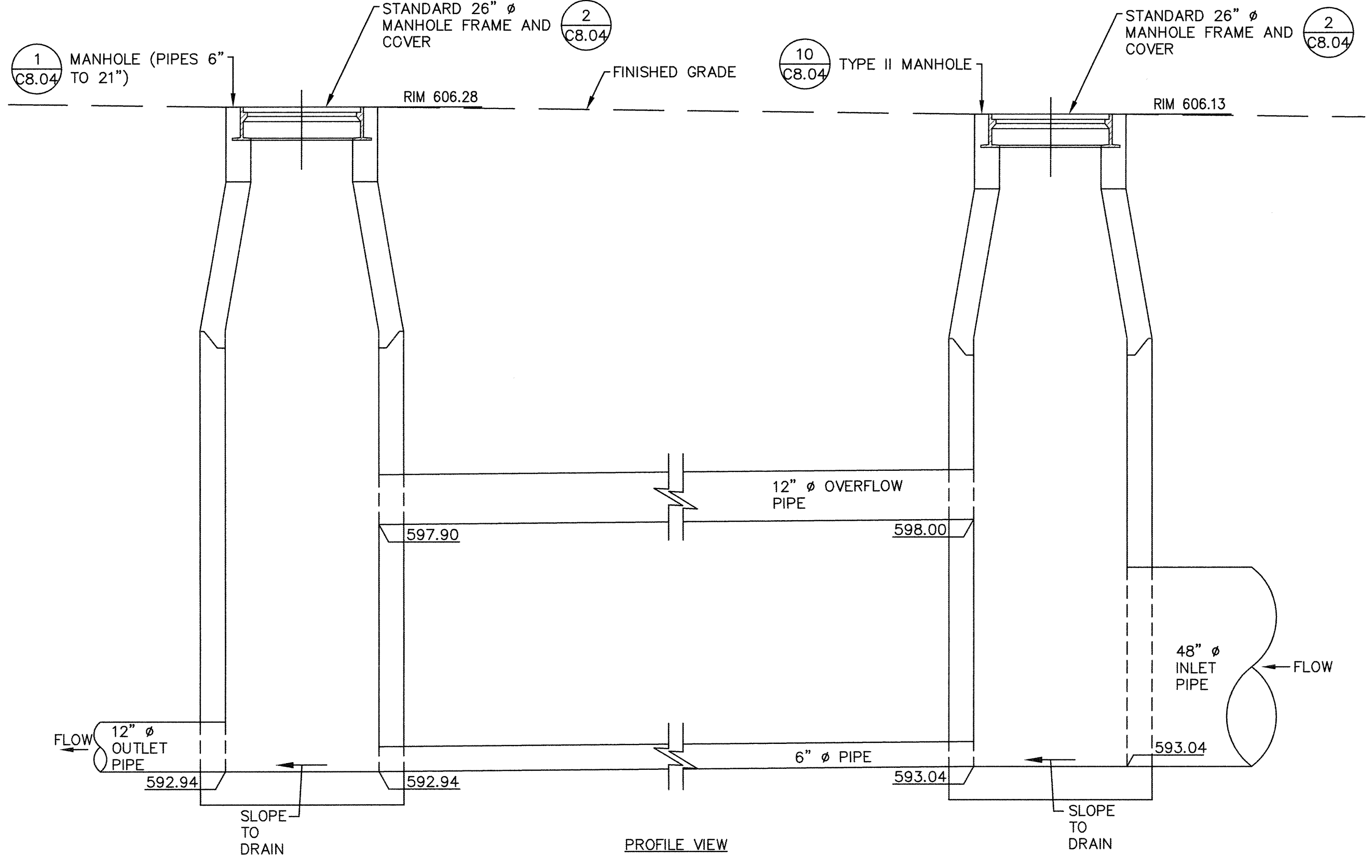
PROFILE VIEW

DIVERSION STRUCTURE (DISCHARGE TO SYSTEM E)

SCALE: 1"=2'

KRISTAR UP-FLO FILTER 8' X 13' VAULT 21 MODULE MAXIMUM

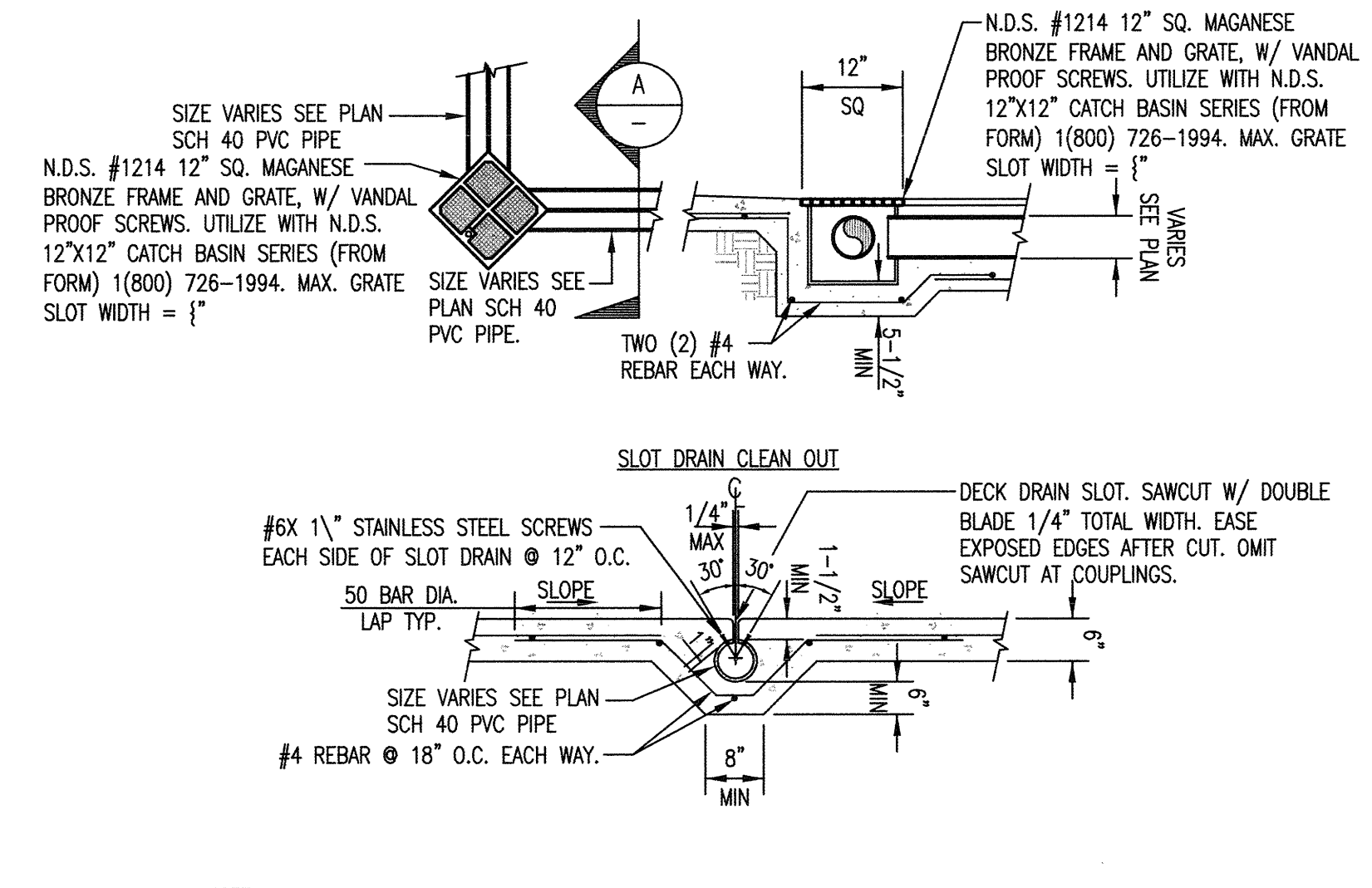
NTS



PROFILE VIEW

DIVERSION STRUCTURE (DISCHARGE TO SYSTEM B)

SCALE: 1"=2'



- NOTE:
1. CONCRETE FLOWLINE AND/OR PAVERS WITHIN 15 FEET FROM SWIMMING POOL EDGES SHOULD BE AT LEAST 4 INCHES THICK AND SUPPORTED ON AT LEAST 4 INCHES OF CLASS 2 AGGREGATE BASE OVERLYING SUBGRADE MATERIAL, SCARIFIED TO A DEPTH OF 24" AND COMPACTED TO NOT LESS THAN 87% AND NO MORE THAN 92% IN ACCORDANCE WITH ASTM D-1557.

POOL DECK SLOT DRAIN

NTS

Date	Revision	Description

Date	Revision	Description
19 SEPT 2008	05A	SUBMITTAL
09 APRIL 2009	05A	TINAL

Job No.	27082.30
Date	09 APRIL 2009
Drawn by	MD, JT
Checked by	RH
Scale	AS SHOWN

CONSTRUCTION DETAILS

C8.06