

1 PLANTER DRAINAGE CONNECTION
NTS

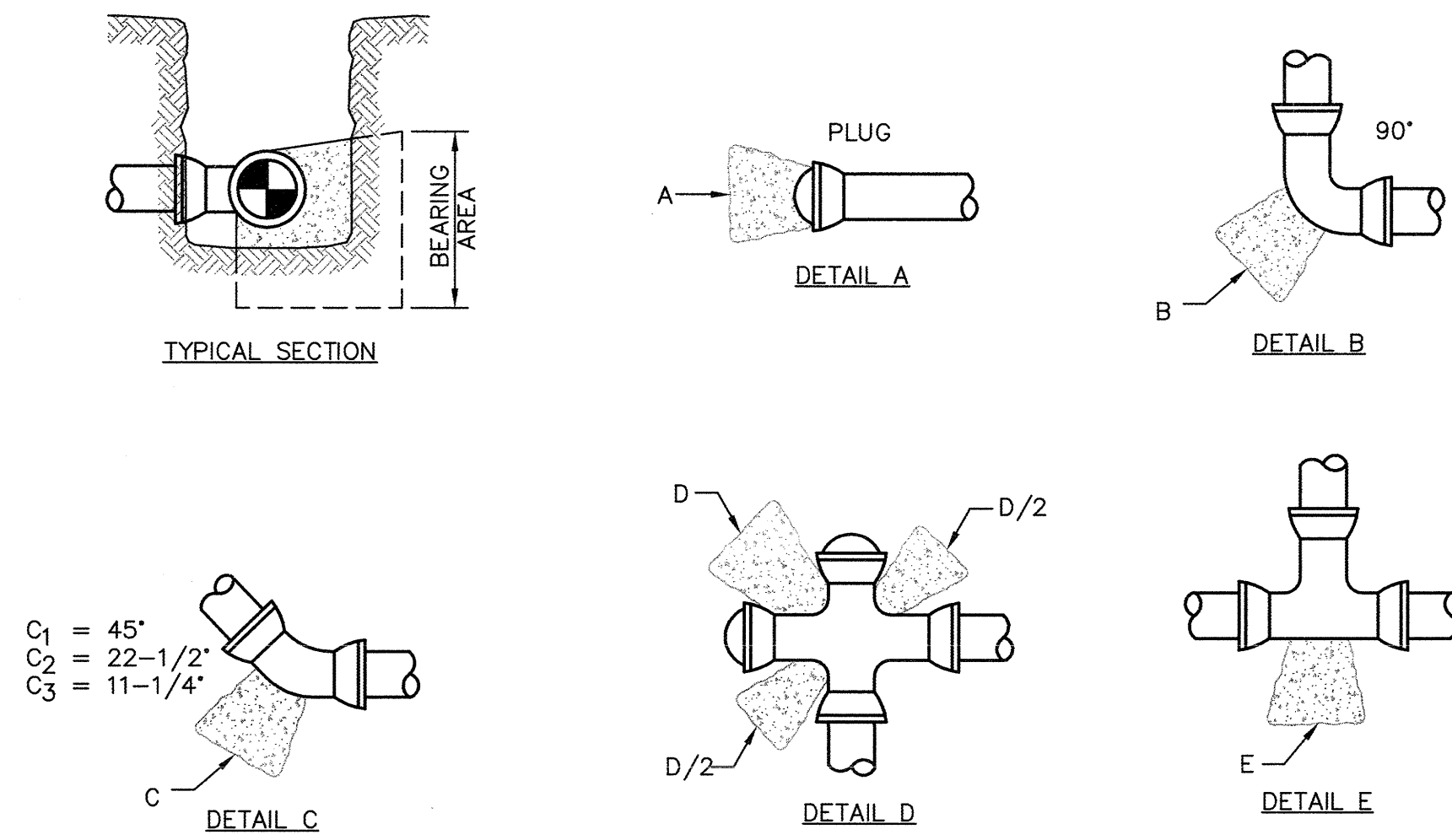


TABLE B

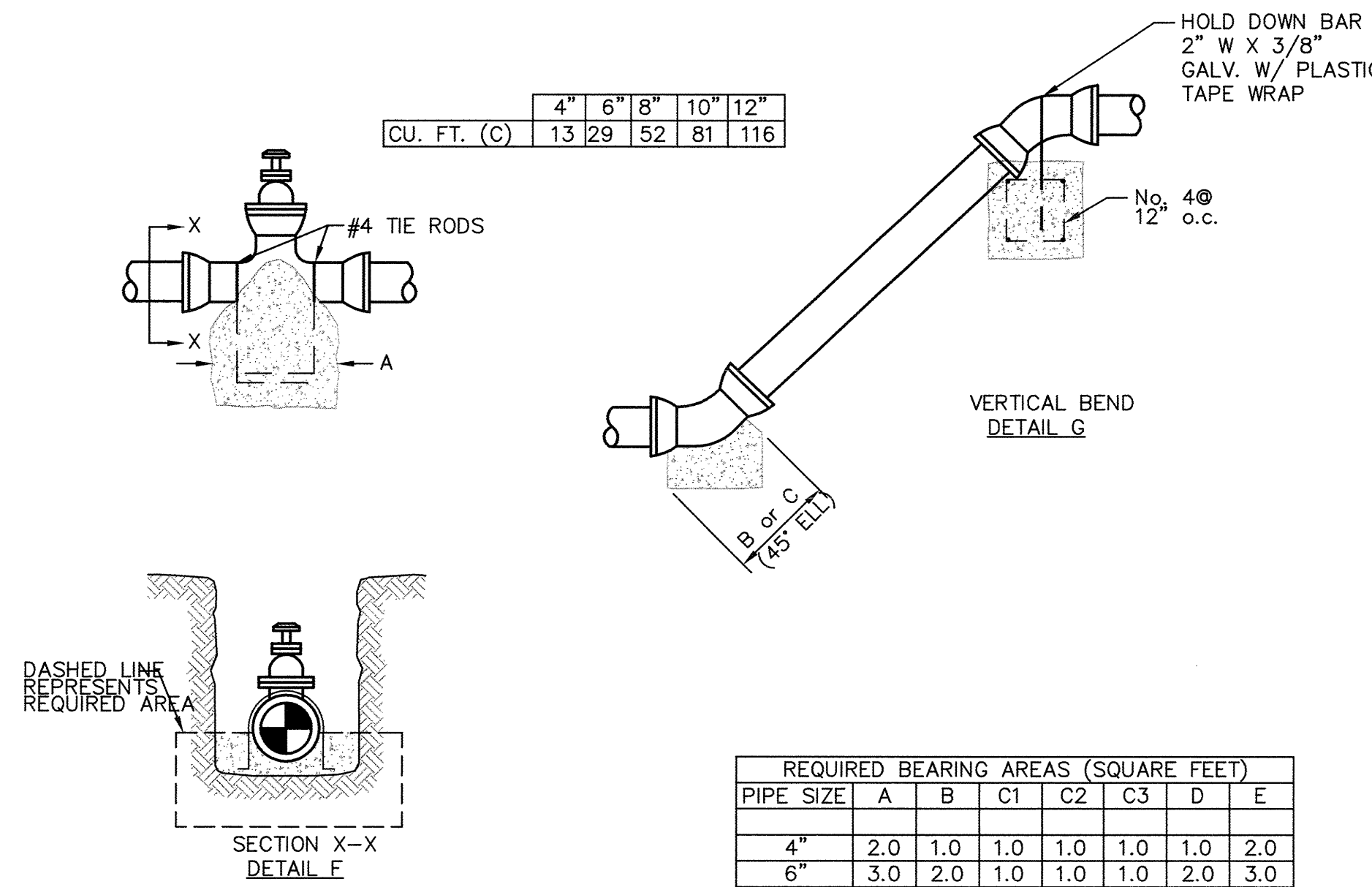
Curb Type	Normal Curb Height	Curb Batter	b
A1-6	6"	1 1/2"	12 1/2"
A1-8	8"	2"	12
B	6"	4"	10
Dike	6"	3"	

CATCH BASIN QUANTITY TABLE

GO	H=3'-0" TO 8'-0" (T=6")		H=8'-1" TO 20'-0" (T=8")	
	'H=3'-0"	ADDITIONAL P.C.C. PER FT. (C.Y.)	H=8'-1"	ADDITIONAL P.C.C. PER FT. (C.Y.)
GO	1.24	0.245	3.39	0.346

TABLE BASED ON 8" FLOOR SLAB, NO DEDUCTION FOR PIPE OPENINGS, AND CURB TYPE GIVING HIGHEST QUANTITY OF CONCRETE. NO DEDUCTIONS OR ADJUSTMENTS ARE TO BE MADE TO THESE QUANTITIES BECAUSE OF PIPE OPENINGS, DIFFERENT FLOOR ALTERNATIVES OR DIFFERENT CURB TYPE.

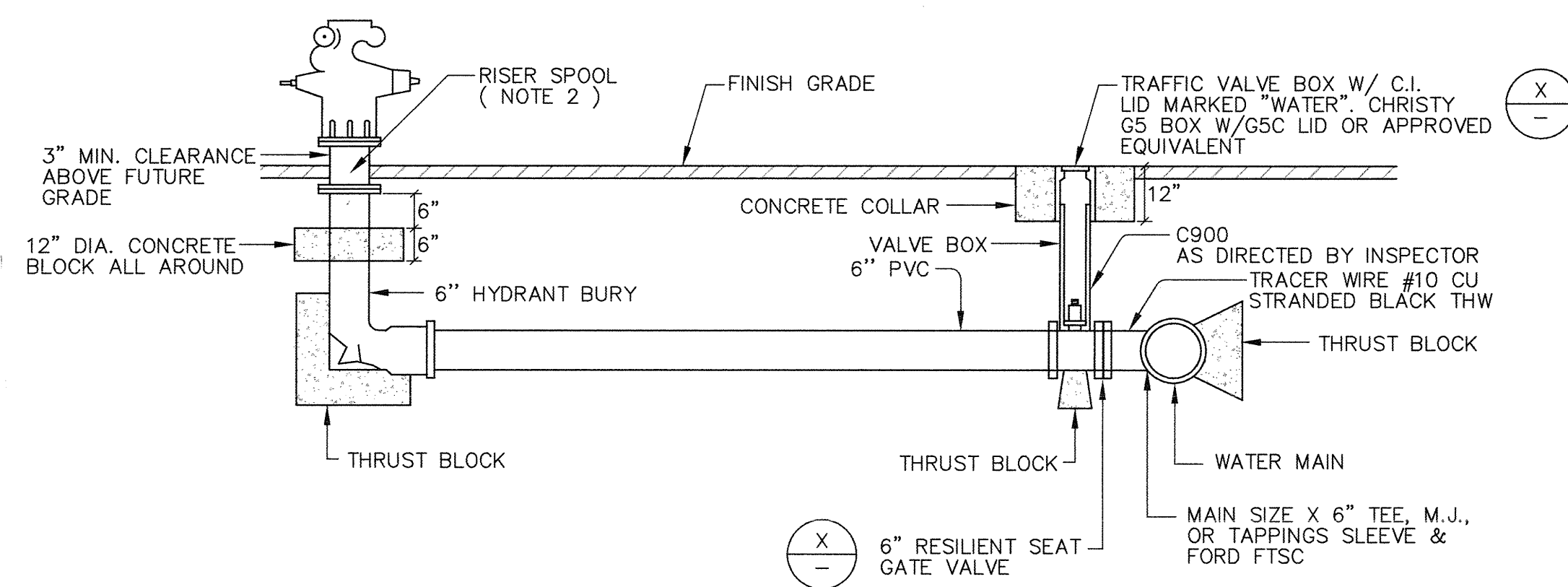
2 TYPE GO CURB INLET
NTS



NOTES

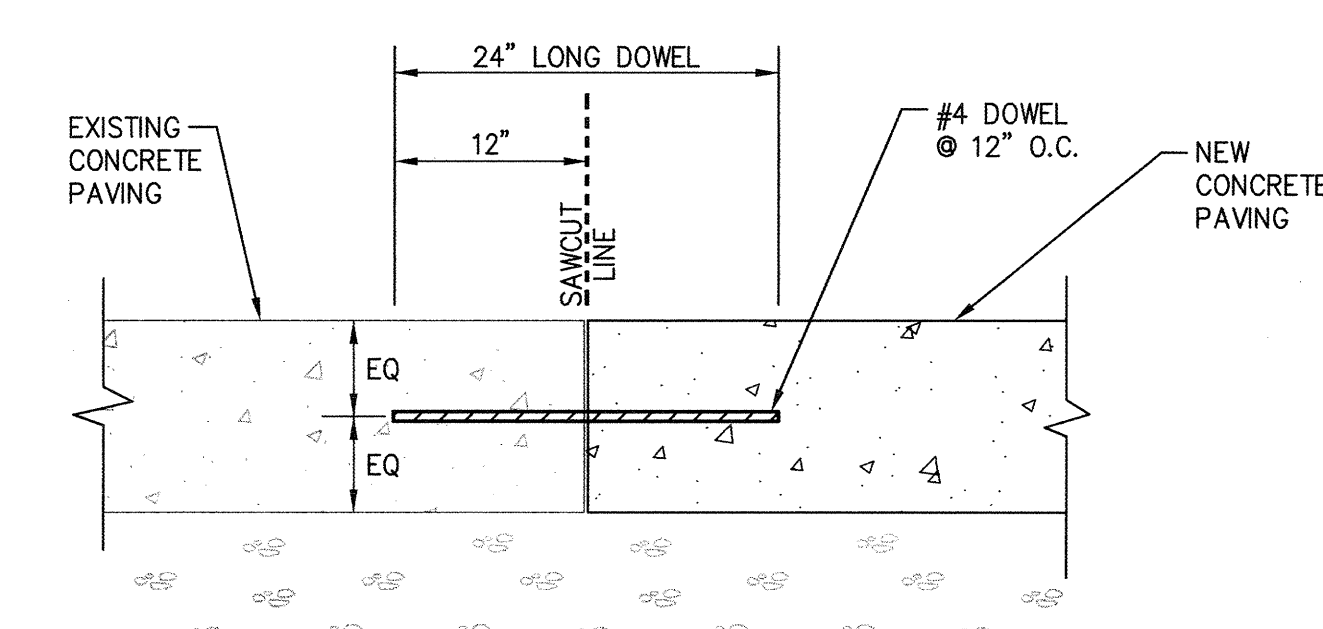
- CONCRETE SHALL BE PCC.
- FORM SURFACES OF CONCRETE NOT CAST AGAINST EARTH. KEEP CONCRETE OFF MECHANICAL JOINTS AND FLANGE BOLTS.
- LETTERS ON DETAILS REFER TO MINIMUM REQUIRED BEARING AREA AS INDICATED IN THE TABLE ABOVE. CALCULATION OF BEARING AREAS IS BASED ON 200 PSI WATER TEST PRESSURE AND 5000 PSF ALLOWABLE SOIL BEARING PRESSURE.
- THRUST BLOCKS FOR CASES NOT SHOWN SHALL BE CONSTRUCTED AS DIRECTED BY THE ENGINEER.
- POUR THRUST BLOCKS AGAINST UNDISTURBED EARTH OR ENGINEERED FILL.
- THE BARS SHOWN IN DETAIL F WILL BE USED WHEN BEARING AREA IS NOT SYMMETRICAL ABOUT PIPE.
- USE DETAIL G FOR THRUST RESTRAINT OF 11-1/4" AND 22-1/2" VERTICAL BENDS. VERTICAL BENDS GREATER THAN 22-1/2" SHALL BE AS DIRECTED BY THE ENGINEER. TABLE FOR VERTICAL BENDS INDICATES VOLUME OF CONCRETE IN CUBIC FEET.

3 WATER MAIN THRUST BLOCK
NTS

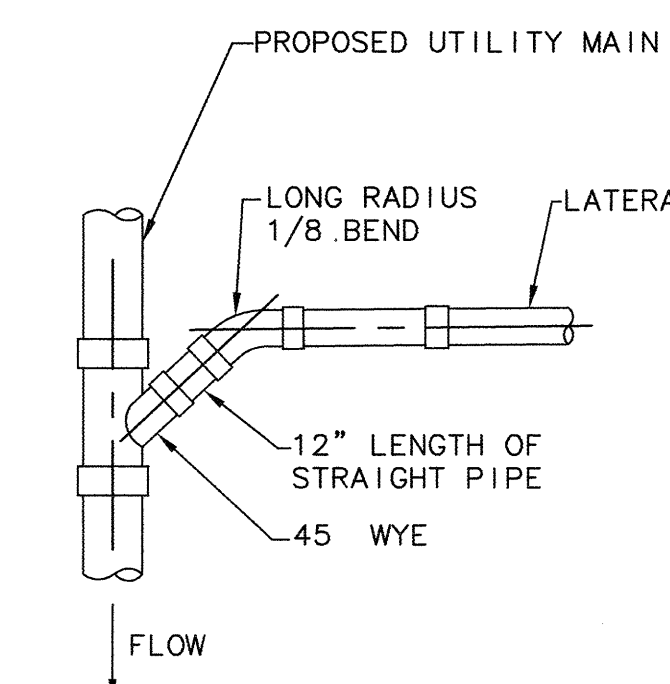
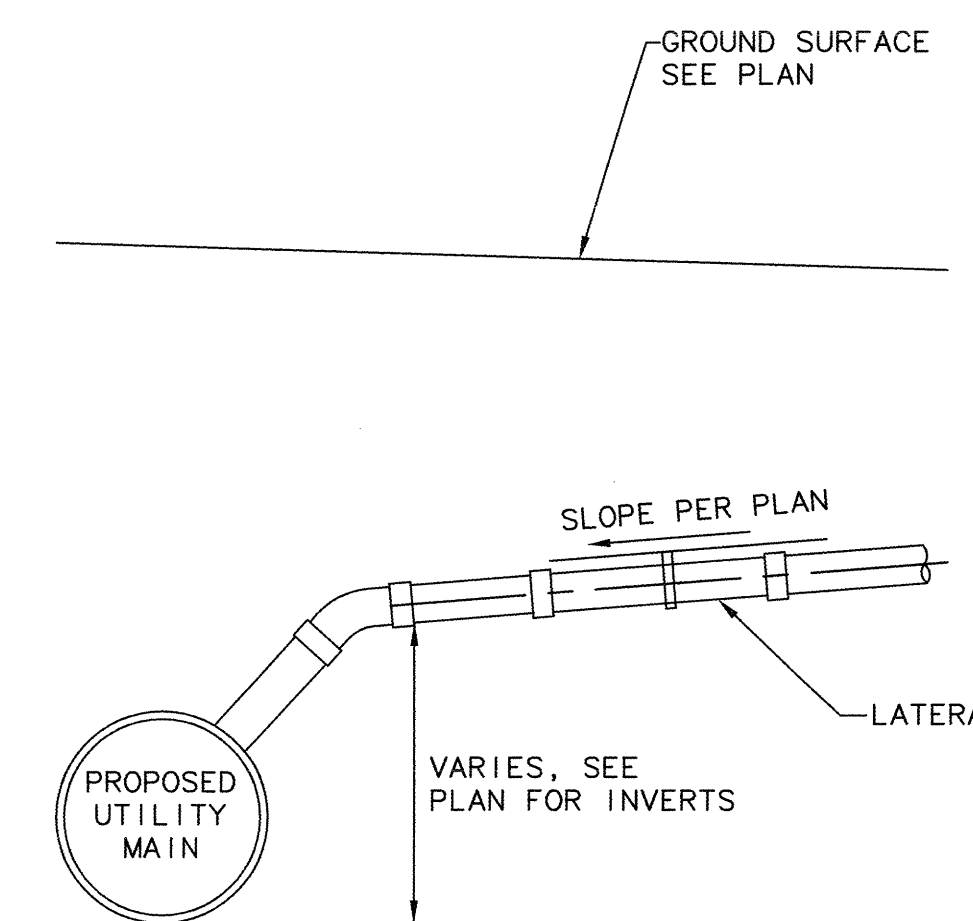


NOTES

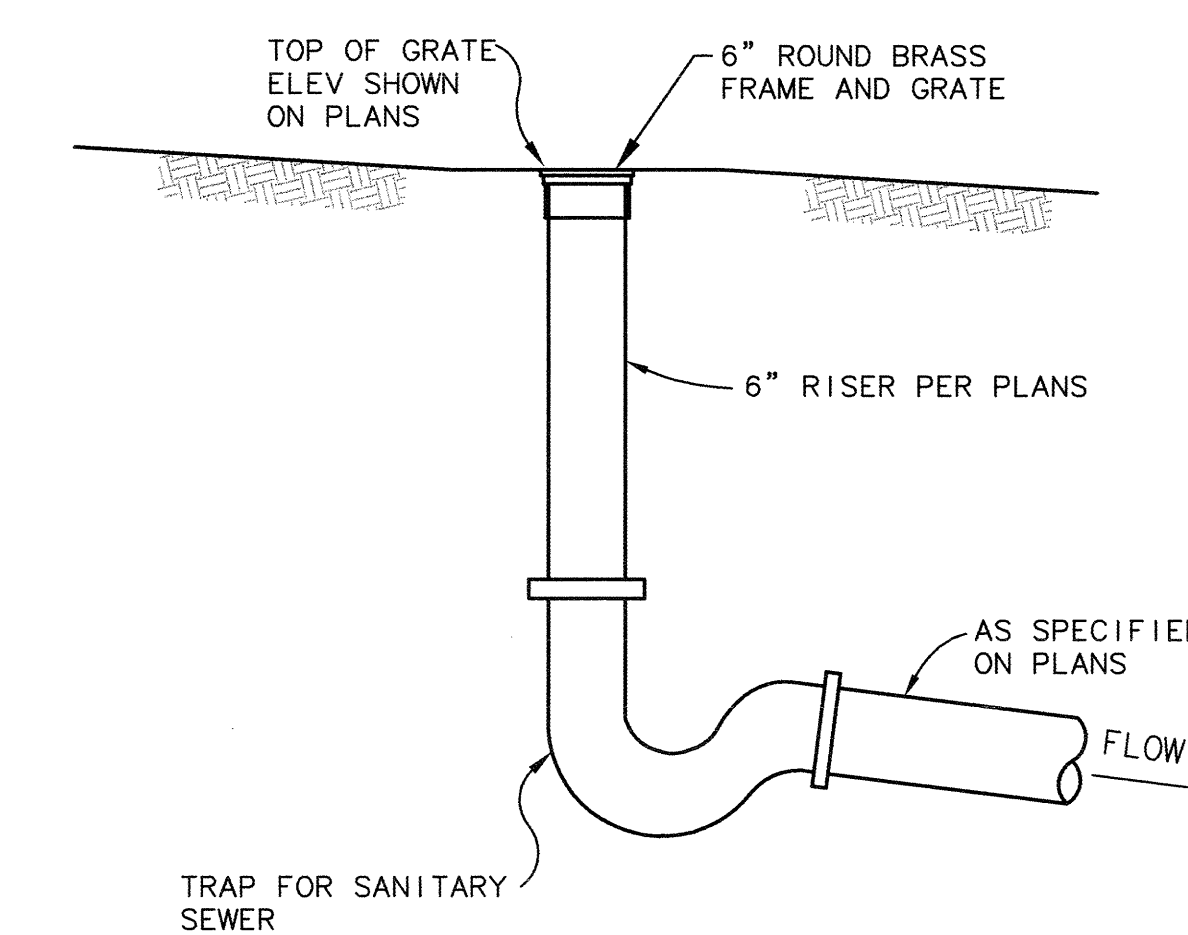
- PROVIDE TWO 2-1/2 INCH AND ONE 4-1/2 INCH OUTLETS, WITH A 6-INCH NOMINAL INSIDE DIAMETER INLET. HYDRANT SHALL HAVE A WORKING PRESSURE OF 250 PSI AND SHALL CONFORM TO AWWA C502 OR C503, AND BE UL LISTED AND FM APPROVED. PROVIDE HYDRANTS OF ONE MANUFACTURER. CLOW MODEL 960 SERIES OR APPROVED EQUIVALENT, SUBJECT TO APPROVAL OF THE DISTRICT AND FIRE MARSHAL.
- RISER SPOOLS WHEN USED SHALL BE THE BREAK OFF TYPE. USE RISER WITH SNAP RING 6" MINIMUM IN LENGTH. THE BOLTS ATTACHING HYDRANT TO BURY AND SPOOL SHALL BE STAINLESS STEEL OF THE BREAK-OFF TYPE, HEX HEAD, HEAVY AMERICAN STANDARD. COAT ALL BURIED METALLIC PARTS WITH BITUMASTIC 50 BY KOPPERS. NUTS SHALL BE DOWN.
- HYDRANTS SHALL BE LOCATED AS SHOWN ON PLANS APPROVED BY ENGINEER.
- FIRE HYDRANT ASSEMBLIES SHALL BE IN CONFORMANCE WITH PROJECT SPECIFICATIONS.



4 PAVEMENT CONFORM NEW CONCRETE TO EXISTING CONCRETE
NTS

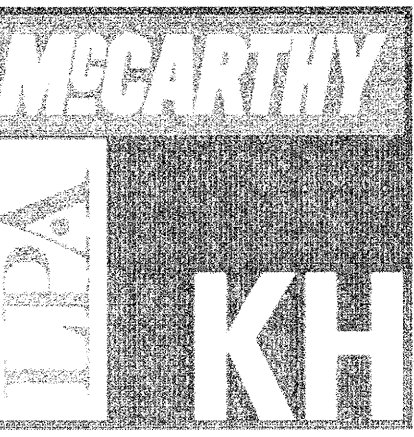


5 LATERAL CONNECTION TO MAIN
NTS



6 SANITARY SEWER AREA DRAIN WITH TRAP
NTS

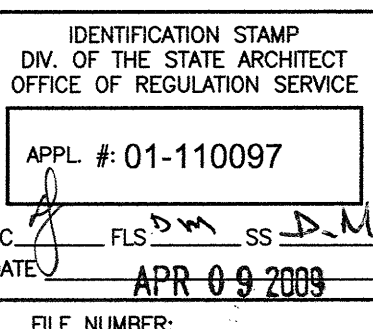
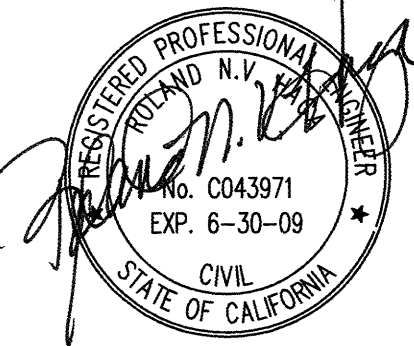
3 FIRE HYDRANT ASSEMBLY
NTS



McCarthy Building Companies, Inc.
343 Sansome Street, 14th Floor
San Francisco, California 94104
P 415 | 364-1339
F 415 | 397-5999



255 SHORELINE DRIVE, SUITE 200
REDWOOD CITY, CA 94065
PHONE: (650) 482-6300
FAX: (650) 482-6399



This and all other project documents and all files, specifications and design incorporated herein are instruments of service. All project documents are the property of BKF, Inc. No part of any project or purpose may be used or reproduced in any form without the prior written consent of BKF, Inc. and the State of California. BKF, Inc. and the State of California shall not be liable for any damages or losses, including reasonable attorneys' fees, arising out of or from the use of any project documents or instruments of service, whether or not such damages or losses are foreseeable, except to the extent that such damages or losses are caused by the negligence of BKF, Inc. or the State of California. This instrument is not a representation of any kind of liability or warranty. BKF, Inc. and the State of California make no representation, warranty or guarantee of any kind, whether written or oral, for any project documents or instruments of service. BKF, Inc. and the State of California shall not be liable for any damages or losses, including reasonable attorneys' fees, arising out of or from the use of any project documents or instruments of service, whether or not such damages or losses are foreseeable, except to the extent that such damages or losses are caused by the negligence of BKF, Inc. or the State of California.

College of San Mateo
Site Package
San Mateo, CA

Developed for
San Mateo County Community College District

Date	Revision	Description

Date	Revision	Description
19 SEPT 2009	01	DSA SUBMITTAL
09 APRIL 2009	02	DSA FINAL

Job No.	27082.30
Date	09 APRIL 2009
Drawn by	MD, JT
Checked by	RH
Scale	AS SHOWN

CONSTRUCTION DETAILS

C8.05