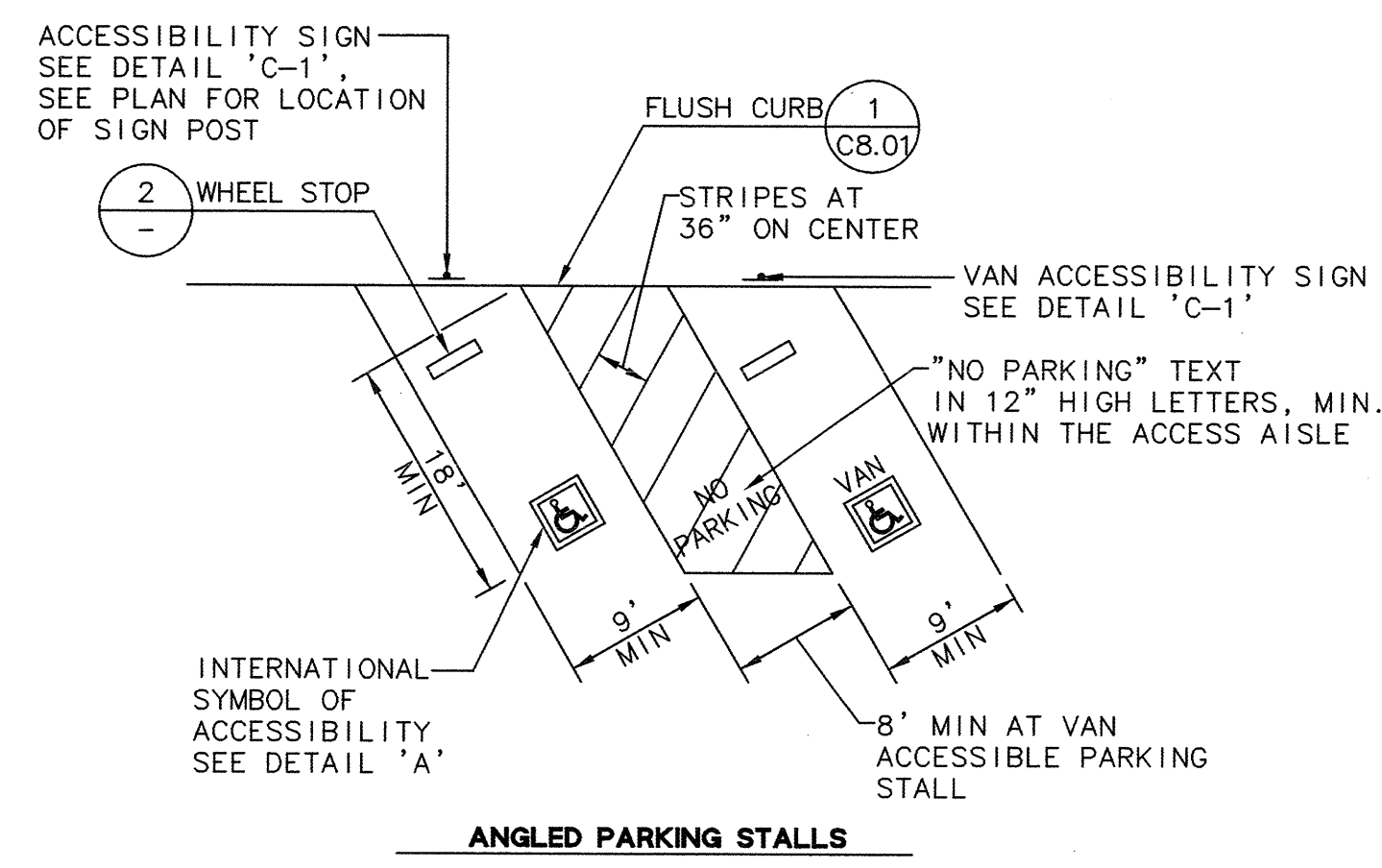
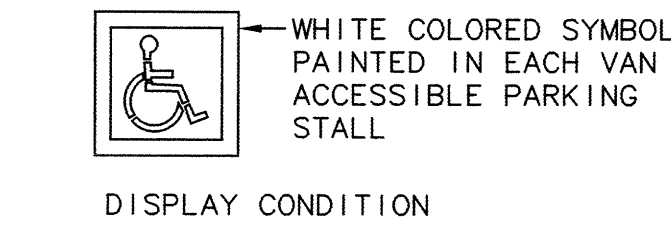
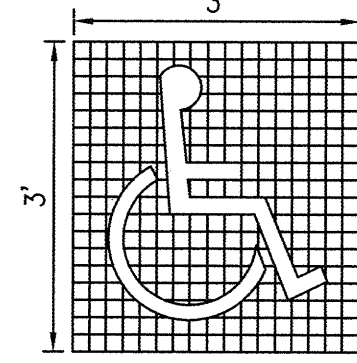


90 DEGREE PARKING STALLS

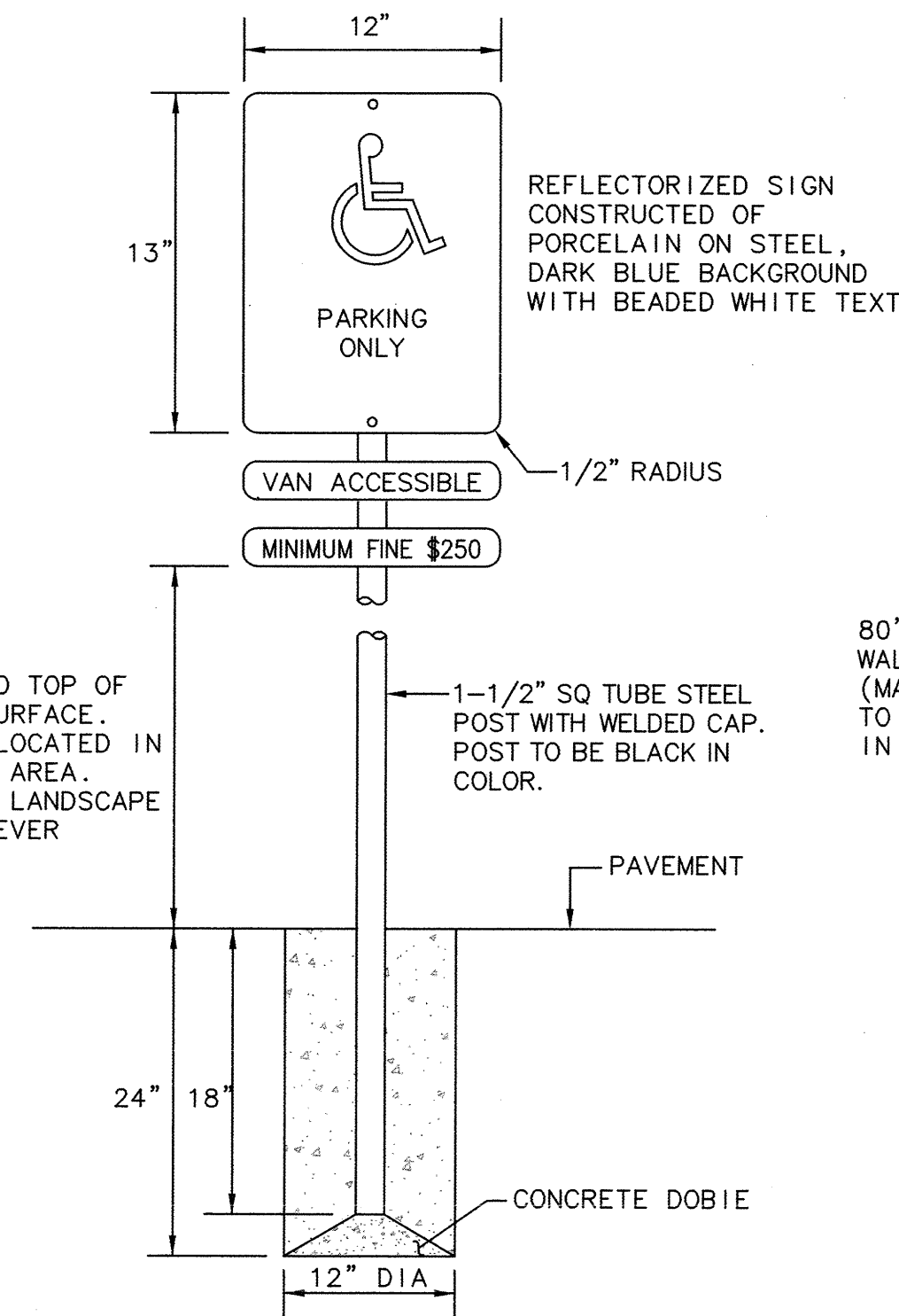


ANGLED PARKING STALLS



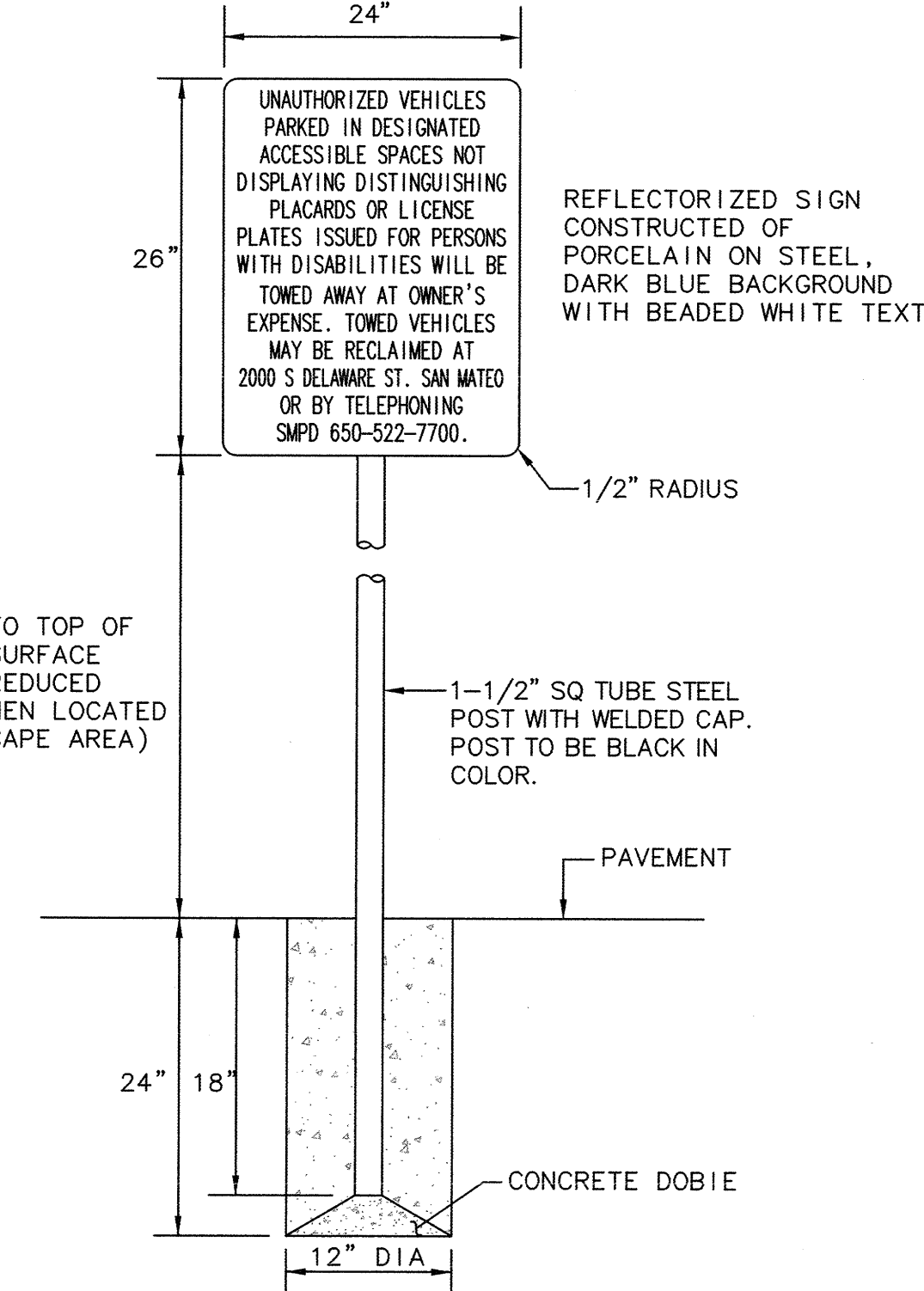
INTERNATIONAL SYMBOL OF ACCESSIBILITY
DETAIL 'A'

80" MIN TO TOP OF WALKING SURFACE. 36" WHEN LOCATED IN LANDSCAPE AREA. LOCATE IN LANDSCAPE AREA WHENEVER POSSIBLE.



ACCESSIBILITY SIGN
DETAIL 'C-1'

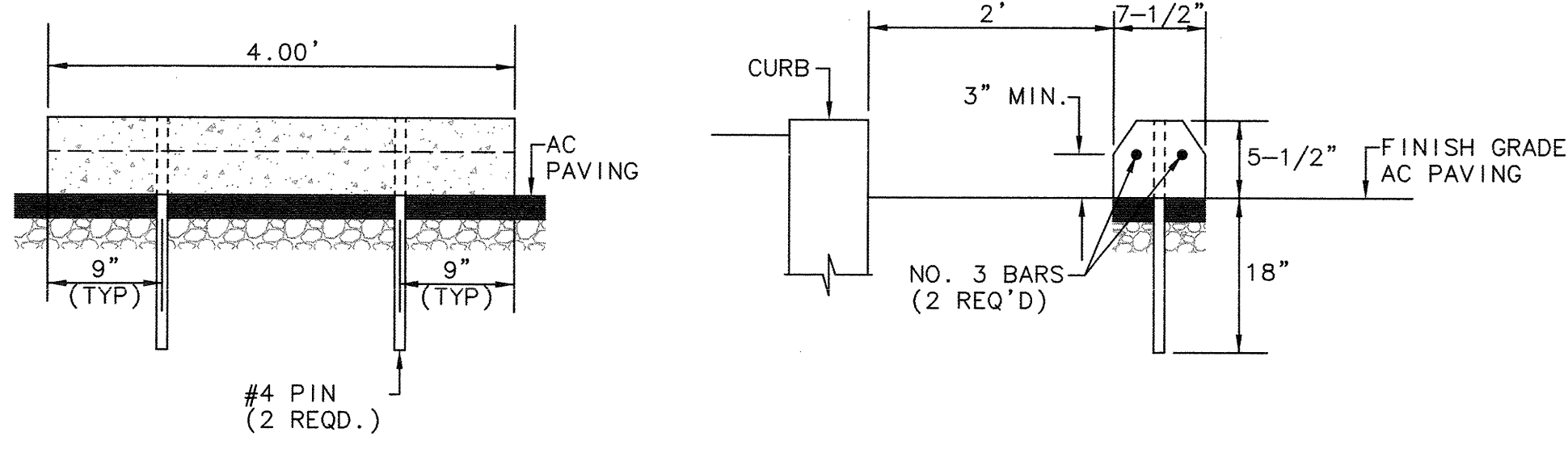
80" MIN TO TOP OF WALKING SURFACE (MAY BE REDUCED TO 36" WHEN LOCATED IN LANDSCAPE AREA)



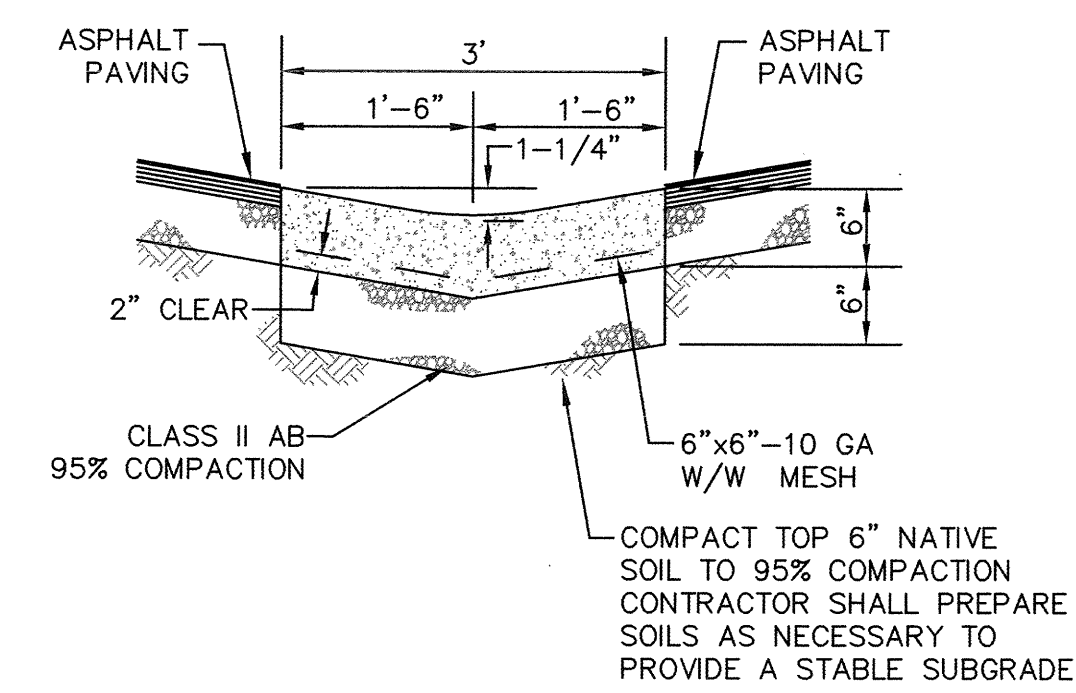
ACCESSIBILITY TOW AWAY SIGN
DETAIL 'C-2'

- NOTES:
- EACH PARKING SPACE RESERVED FOR PERSONS WITH DISABILITIES SHALL BE IDENTIFIED BY A REFLECTORIZED SIGN PERMANENTLY POSTED IMMEDIATELY ADJACENT TO AND VISIBLE FROM EACH STALL OR SPACE. CONSISTING OF A PROFILE VIEW OF A WHEELCHAIR OCCUPANT IN WHITE ON DARK BLUE BACKGROUND. THE SIGN SHALL NOT BE SMALLER THAN 70 SQUARE INCHES IN AREA AND WHEN IN A PATH OF TRAVEL, SHALL BE POSTED AT A MINIMUM HEIGHT OF 80 INCHES FROM THE BOTTOM OF THE SIGN TO THE PARKING SPACE FINISHED GRADE. SIGNS MAY ALSO BE CENTERED ON THE WALL AT THE INTERIOR OF THE PARKING SPACE AT A MINIMUM HEIGHT OF 36 INCHES FROM THE PARKING SPACE FINISHED GRADE, GROUND, OR SIDEWALK.
 - AN ADDITIONAL SIGN SHALL ALSO BE POSTED IN A CONSPICUOUS PLACE, AT EACH ENTRANCE TO THE OFF-STREET PARKING FACILITY, OR IMMEDIATELY ADJACENT TO AND VISIBLE FROM EACH STALL. THE SIGN SHALL NOT BE LESS THAN 17 INCHES X 22 INCHES IN SIZE LETTERING NOT LESS THAN 1 INCH IN HEIGHT, WHICH CLEARLY AND CONSPICUOUSLY STATES THE FOLLOWING:
"UNAUTHORIZED VEHICLES PARKED IN DESIGNATED ACCESSIBLE SPACES NOT DISPLAYING DISTINGUISHING PLACARDS OR LICENSE PLATES ISSUED FOR PERSONS WITH DISABILITIES WILL BE TOWED AWAY AT OWNER'S EXPENSE. TOWED VEHICLES MAY BE RECLAIMED AT 2000 S DELAWARE ST. SAN MATEO OR BY TELEPHONING SMPD 650-522-7700."
CONTRACTOR SHALL COORDINATE LOCATION OF SIGN WITH TRUSTEE'S REPRESENTATIVE.
 - VAN STALLS SHALL BE LABELED ON PAVEMENT IN 12" HIGH LETTERS WITH BLUE PAINT AND BE DESIGNATED BY AN ADDITIONAL SIGN STATING "VAN ACCESSIBLE" MOUNTED BELOW THE REFLECTORIZED SIGN.

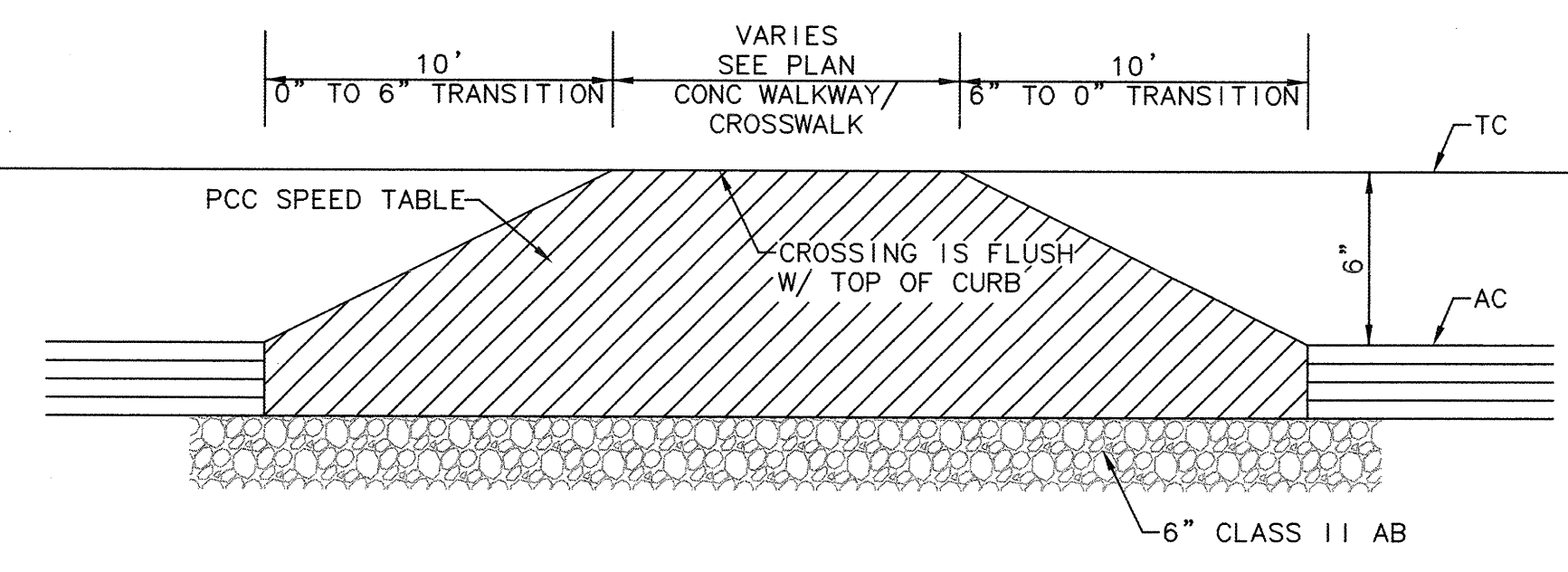
1
AMERICANS WITH DISABILITIES ACT (ADA)
VAN ACCESSIBLE PARKING STALL
NTS



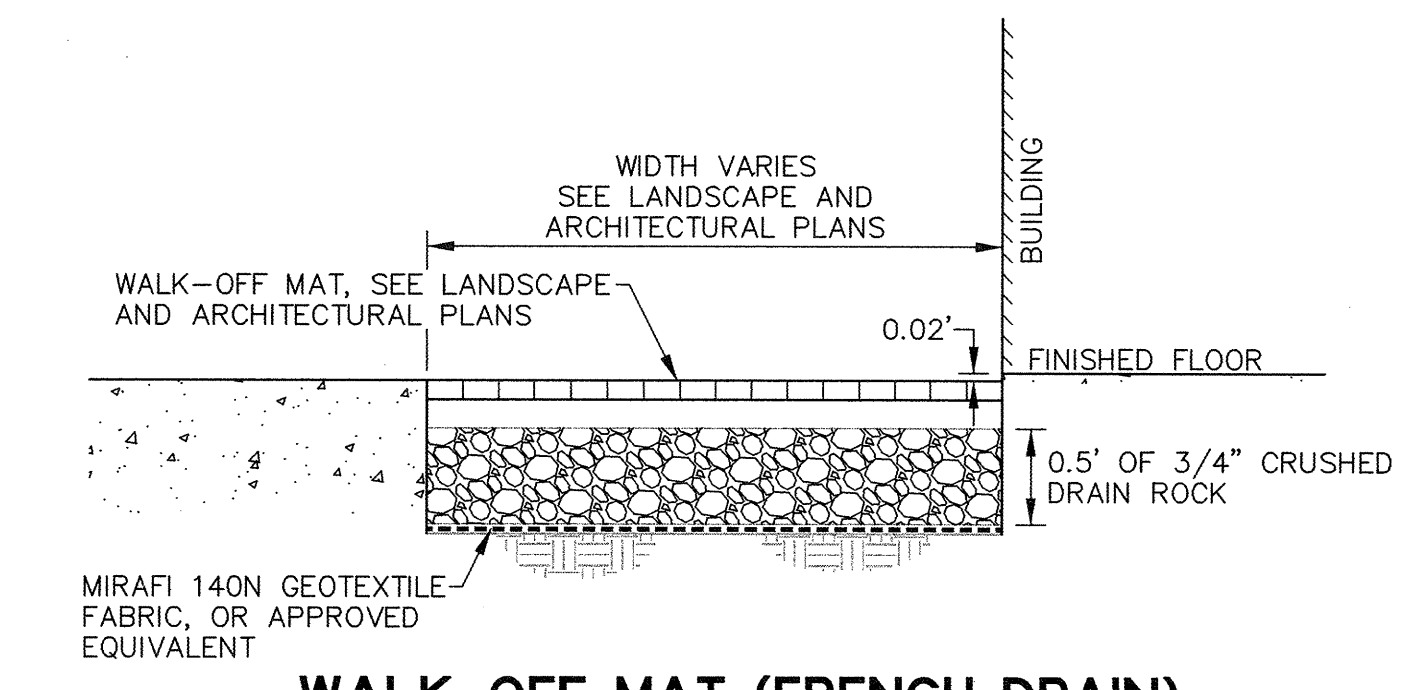
2
WHEEL STOP
NTS



3
CONCRETE VALLEY GUTTER
NTS



4
PCC SPEED TABLE
NTS



5
WALK-OFF MAT (FRENCH DRAIN)
DEPTH OF MATERIALS
NTS