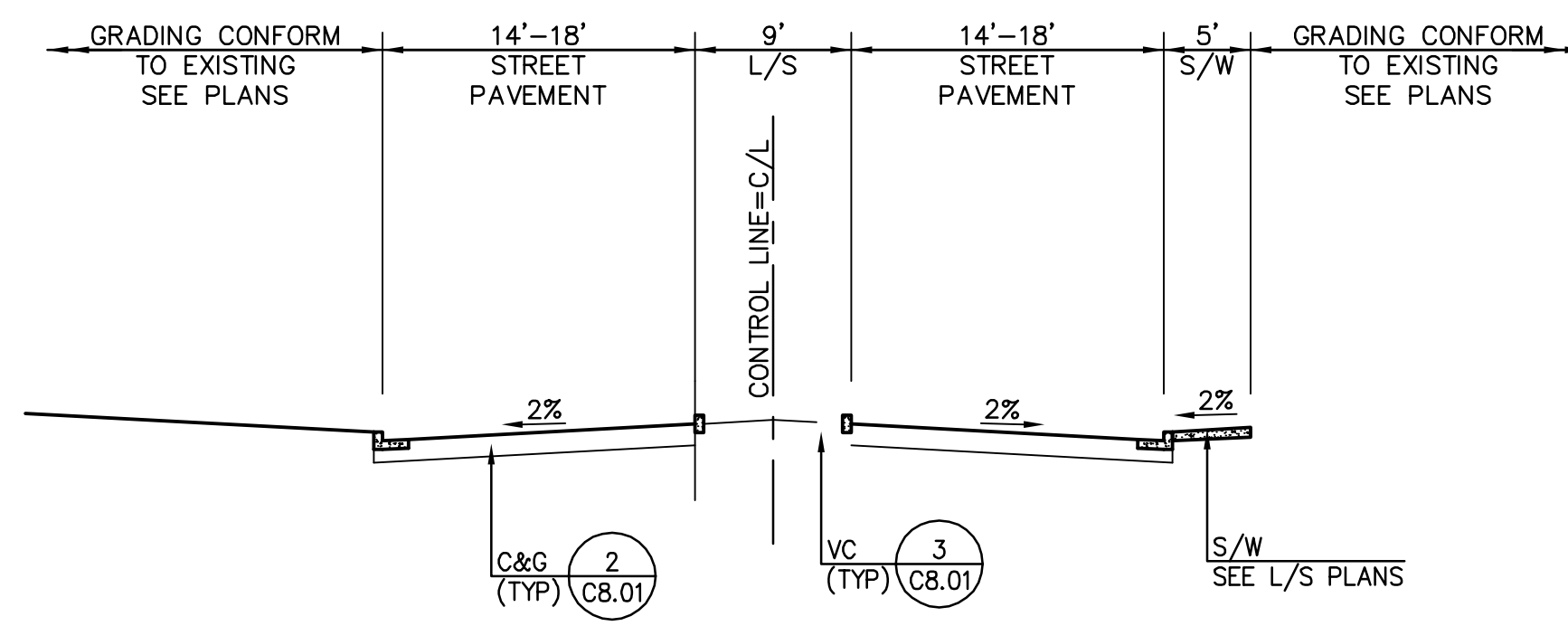
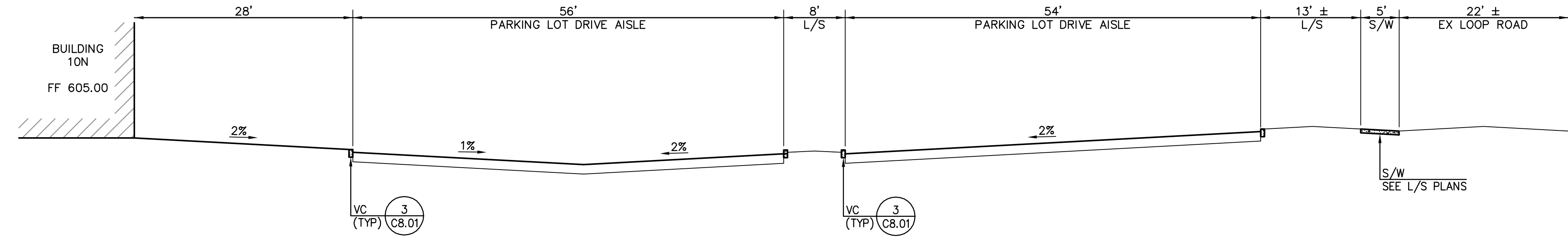


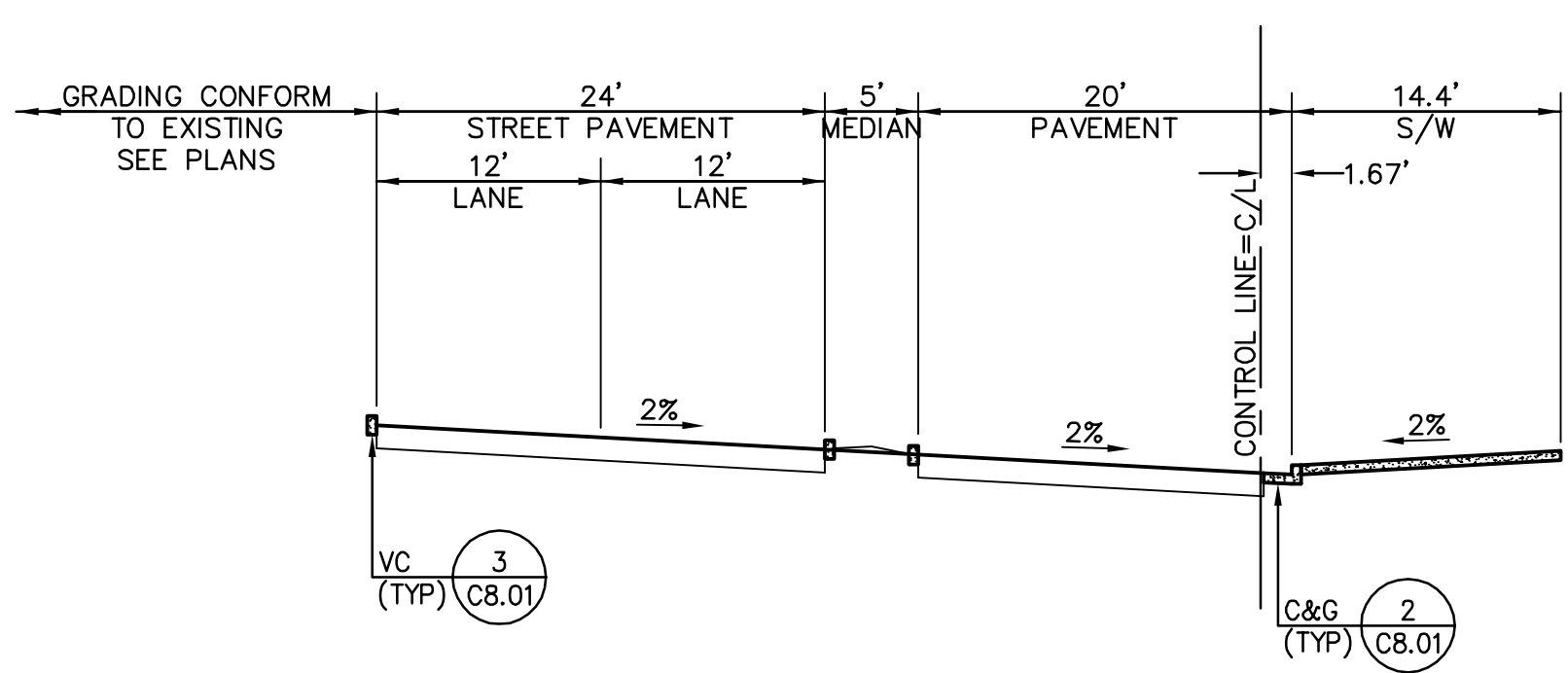
**A**  
**CSM DRIVE**  
 STA A1+63.40 TO A2+90.87  
 STA A3+26.87 TO A6+62.29  
 STA A7+13.87 TO A9+30.22  
 NTS



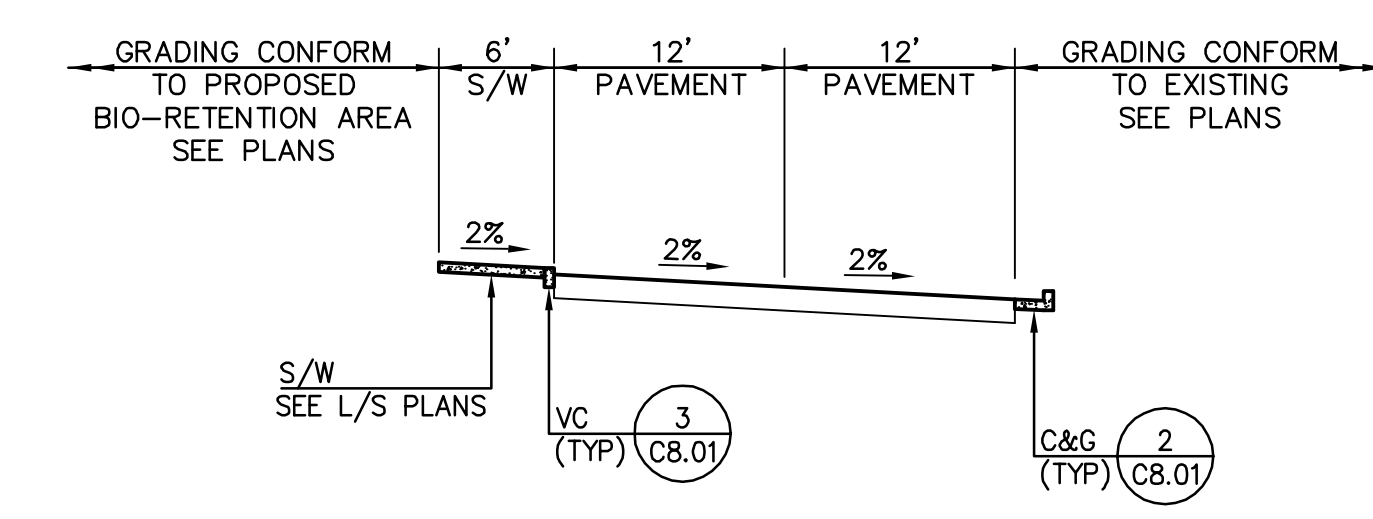
**B**  
**CSM DRIVE**  
 STA A10+59.92 TO A13+73.10  
 NTS



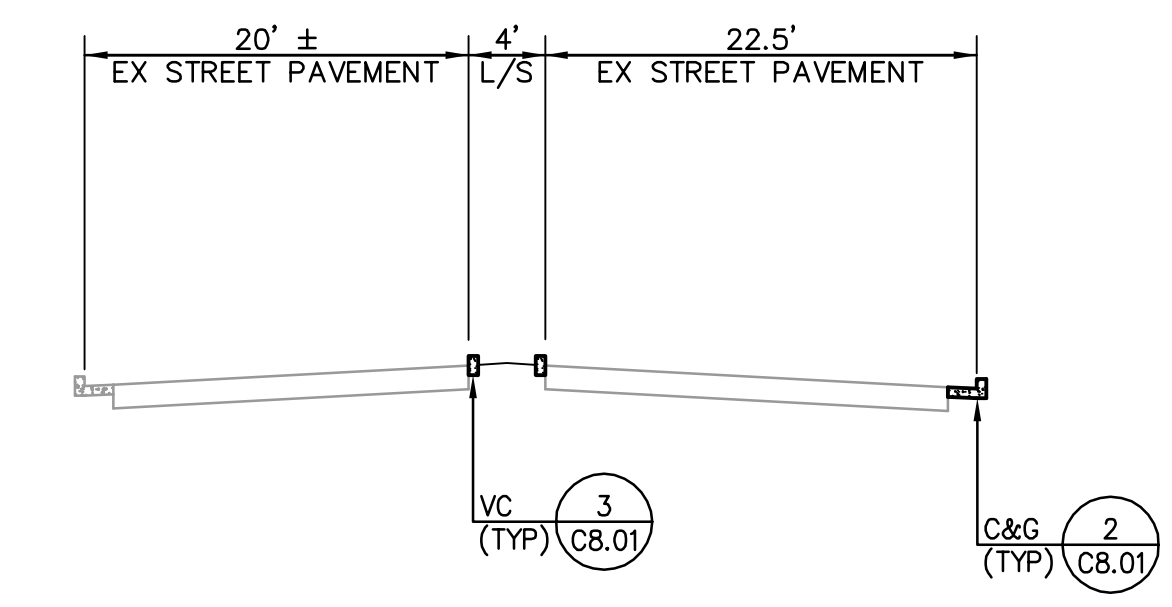
**G**  
**BUILDING 10N PARKING LOT**  
 STA A1+51.53 TO 9+30.22  
 NTS



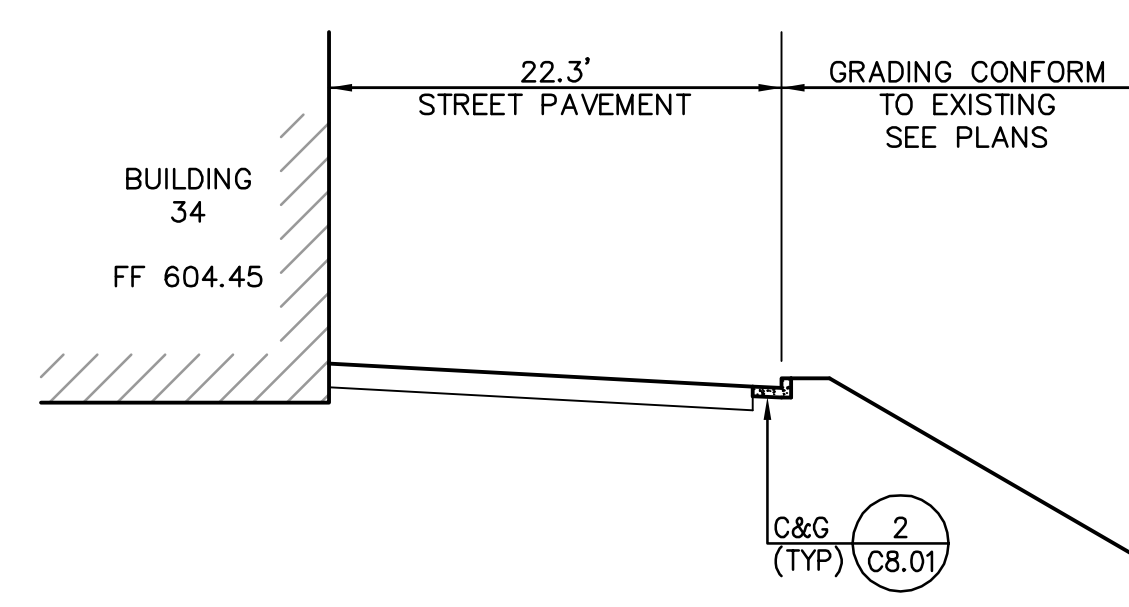
**D**  
**ALIGNMENT C**  
 STA C3+09.43 TO C3+86.67  
 NTS



**E**  
**ALIGNMENT D**  
 STA D1+28.22 TO D2+87.44  
 NTS



**F**  
**WEST HILLSDALE BLVD**  
 STA A1+51.53 TO 9+30.22  
 NTS



**H**  
**BUILDING 34 DRIVE AISLE**  
 STA A1+51.53 TO 9+30.22  
 NTS

**RECORD DRAWINGS**  
 THESE RECORD DOCUMENTS HAVE BEEN PREPARED BASED ON INFORMATION PROVIDED BY OTHERS. BKF ENGINEERS HAS NOT VERIFIED THE ACCURACY AND/OR COMPLETENESS OF THIS INFORMATION AND SHALL NOT BE RESPONSIBLE FOR ANY ERRORS OR OMISSIONS THAT MAY BE INCORPORATED HEREIN AS A RESULT. BKF ENGINEERS DOES NOT ASSUME ANY RESPONSIBILITY FOR THE FIELD MODIFICATIONS TO THE PLANS.  
 BY: BKF ENGINEERS DATE: JUNE 2011



McCarthy Building Companies, Inc.  
 343 Sansome Street, 14th Floor  
 San Francisco, California 94104  
 P 415 | 364-1339  
 F 415 | 397-5999



IDENTIFICATION STAMP  
 DIV. OF THE STATE ARCHITECT  
 OFFICE OF REGULATION SERVICE  
 APPL. #: 01-110097  
 AC: FLS SS  
 DATE:  
 FILE NUMBER:

This and all other project documents are the property of BKF Engineers, Inc. (BKF) and cannot be copied, reproduced, or used for any other project without the written consent of BKF Engineers, Inc. BKF Engineers, Inc. hereby grants limited access to any project documents to the recipient of this information for the sole purpose of reviewing and/or commenting on the information. BKF Engineers, Inc. shall not be held responsible for any reproduction or modification (rework) of any project documents without the written consent of BKF Engineers, Inc. BKF Engineers, Inc. shall not be held responsible for any reproduction or modification (rework) of any project documents without the written consent of BKF Engineers, Inc. BKF Engineers, Inc. shall not be held responsible for any reproduction or modification (rework) of any project documents without the written consent of BKF Engineers, Inc.

© Copyright 2008

College of San Mateo  
 Site Package  
 San Mateo, CA  
 Developed for  
 San Mateo County Community College District

Revision	Description	Date

Revision	Description	Date
01	SUBMITTAL	19 SEPT 2008
02	FINAL	09 APRIL 2009
03	PROJECT RECORD DRAWING	JUNE 2011

Job No.	27082.30
Date	02 APRIL 2009
Drawn by	MD, JT
Checked by	RH
Scale	AS SHOWN

**TYPICAL SECTIONS**  
**C7.01**