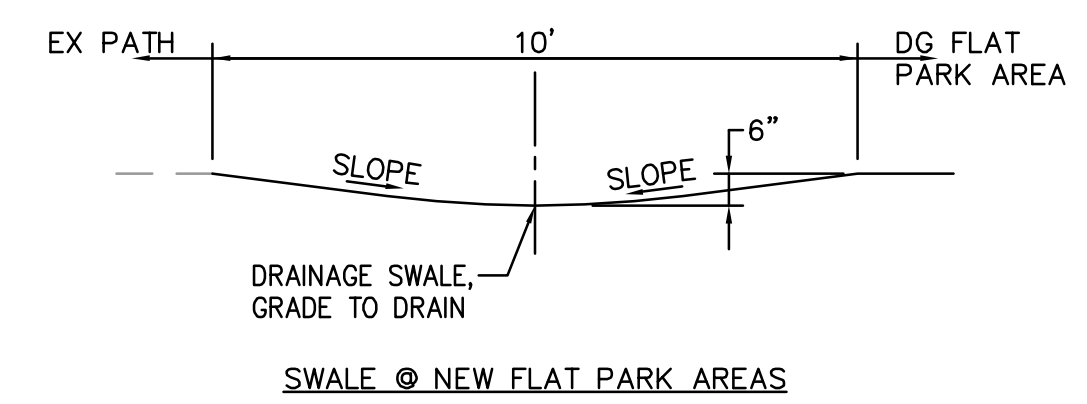
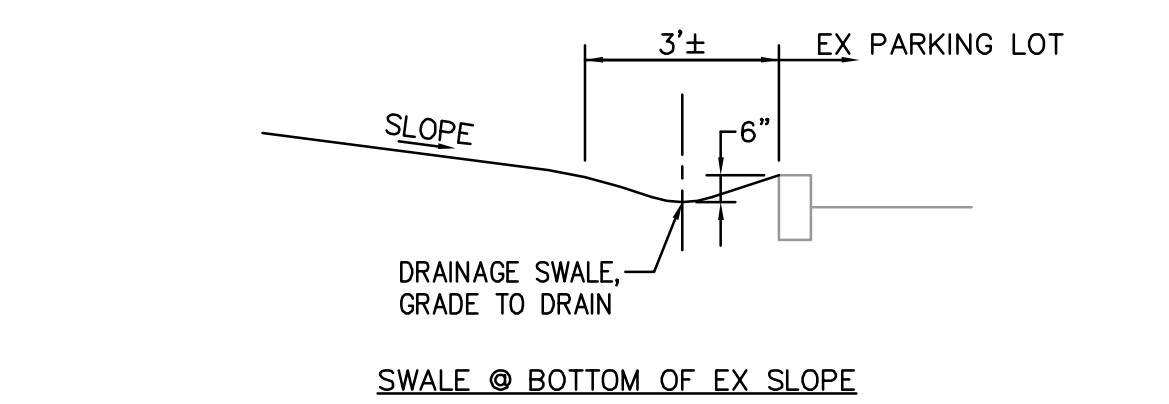


**1 BERM DETAIL**  
SCALE: NTS



**2 SWALE DETAIL**  
SCALE: NTS



**RECORD DRAWINGS**  
THESE RECORD DOCUMENTS HAVE BEEN PREPARED BASED ON INFORMATION PROVIDED BY OTHERS. BKF ENGINEERS HAS NOT VERIFIED THE ACCURACY AND/OR COMPLETENESS OF THIS INFORMATION AND SHALL NOT BE RESPONSIBLE FOR ANY ERRORS OR OMISSIONS THAT MAY BE INCORPORATED HEREIN AS A RESULT. BKF ENGINEERS DOES NOT ASSUME ANY RESPONSIBILITY FOR THE FIELD MODIFICATIONS TO THE PLANS.

BY: BKF ENGINEERS DATE: JUNE 2011



McCarthy Building Companies, Inc.  
343 Sansome Street, 14th Floor  
San Francisco, California 94104  
P 415 | 364-1339  
F 415 | 397-5999



255 SHORELINE DRIVE, SUITE 200  
REDWOOD CITY, CA 94065  
PHONE: (650) 482-6300  
FAX: (650) 482-6399



IDENTIFICATION STAMP  
DIV. OF THE STATE ARCHITECT  
OFFICE OF REGULATION SERVICE  
APPL # 01-110097  
AC: FLS SS  
DATE  
FILE NUMBER:

This set of other project documents and all their contents and design incorporated therein are hereby accepted as the project documents on the registered property of LPA, INC. LPA, INC. and cannot be further used in whole or in part for any other project without the written consent of the registered professional engineer, BKF Engineers and the State. LPA hereby grants permission to all other project documents reproduction or modification (revised) is not only unlawful but also constitutes a violation of the laws of the State of California. LPA and LPA's Consultants make no representation concerning the accuracy of documents and are not responsible for any discrepancies between project documents and the existing conditions.

© Copyright 2008

College of San Mateo  
Site Package  
San Mateo, CA  
Developed for  
San Mateo County Community College District

Revision	Description	Date

Revision	Description	Date
01	SUBMITTAL	19 SEPT 2008
02	FINAL	09 APRIL 2009
03	BULLETIN TO FLAT PARK	14 FEB 2011
04	PROJECT RECORD DRAWING	JUNE 2011

Job No.	27082.30
Date	02 APRIL 2009
Drawn by	MD, JT
Checked by	RH
Scale	1"=20'

**GRADING AND DRAINAGE PLAN ENLARGEMENTS**

