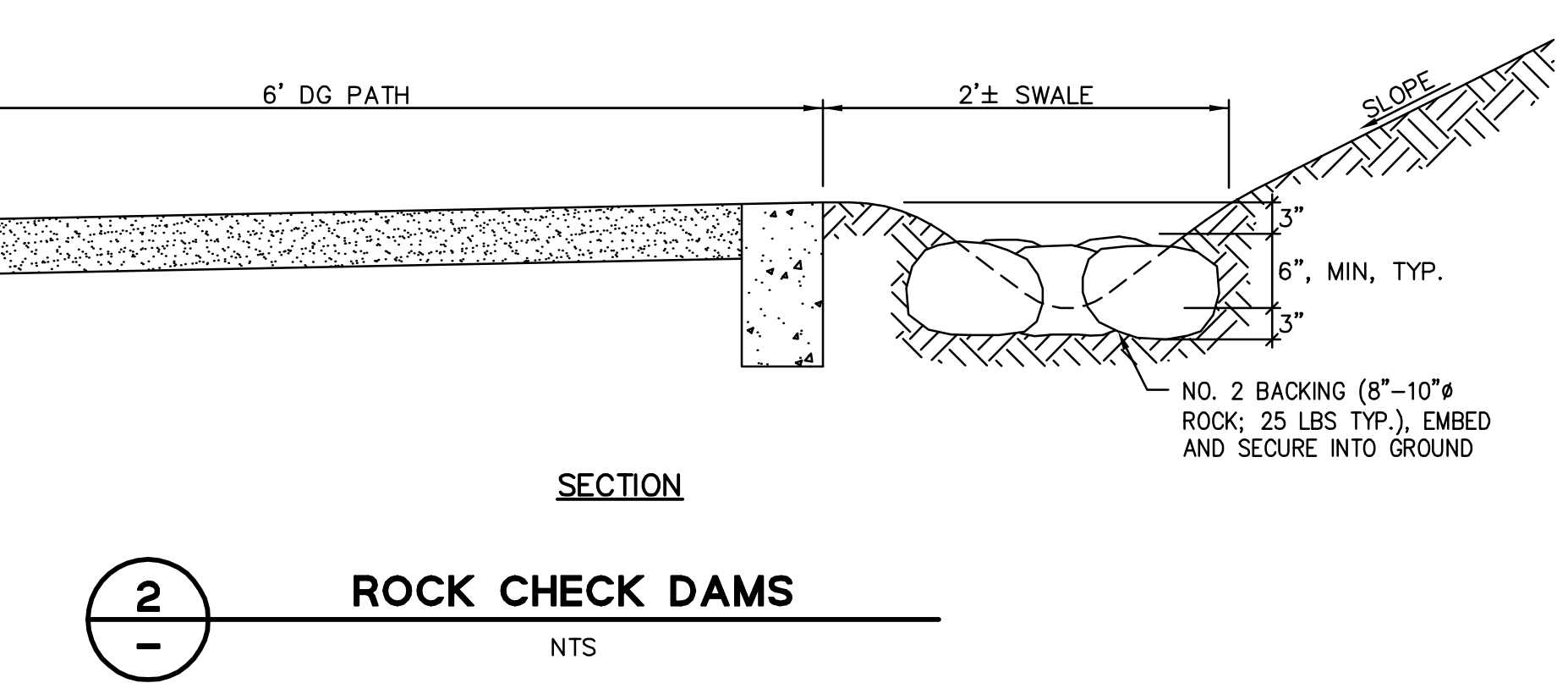
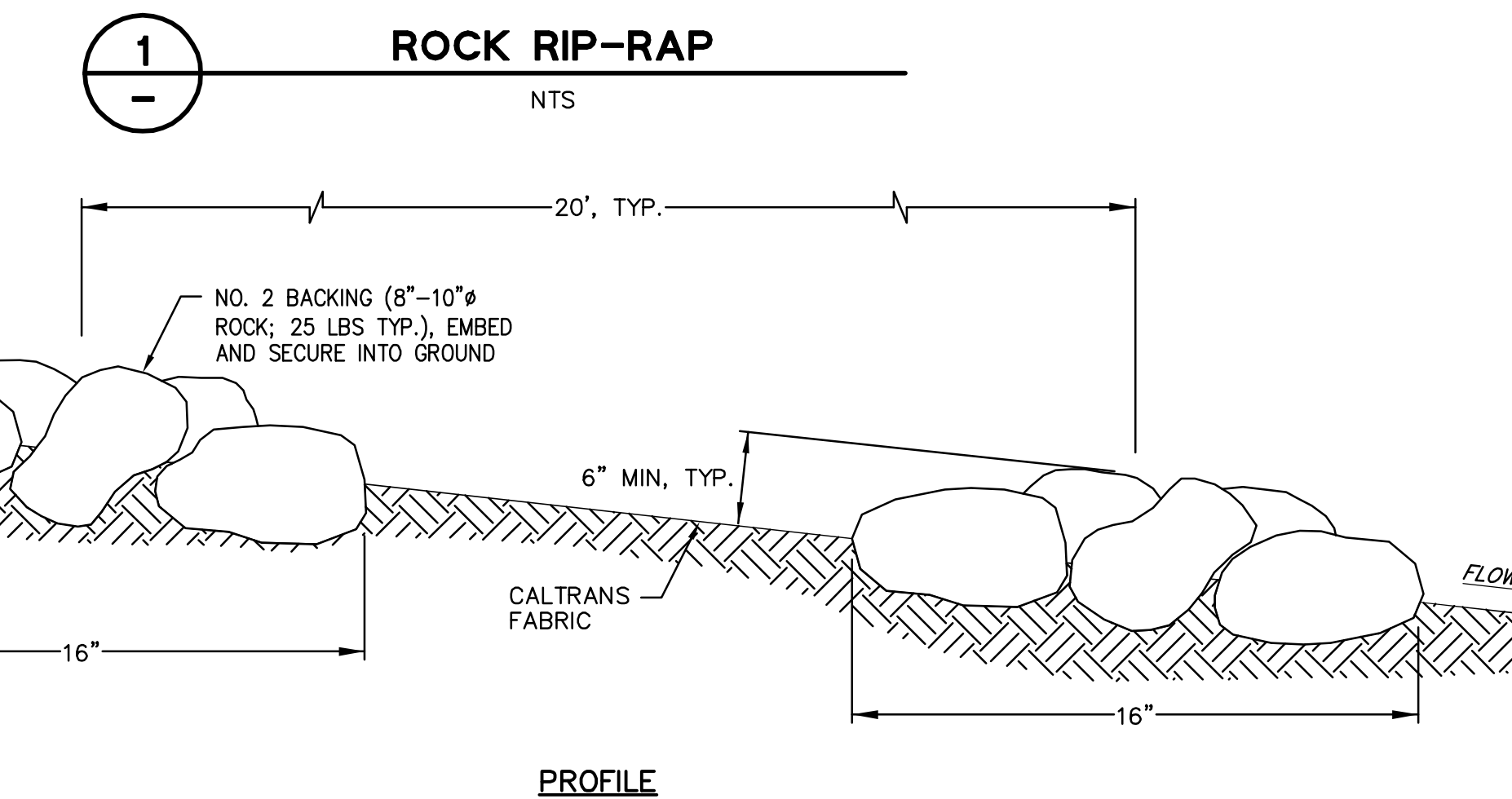


NOTE: OUTFALL PROTECTION MATERIAL TO BE CALTRANS ROCK SLOPE PROTECTION FABRIC WITH NO. 3 BACKING CONFORMING TO SECTION 72 OF THE CALTRANS STANDARD SPECIFICATIONS



RECORD DRAWINGS
 THESE RECORD DOCUMENTS HAVE BEEN PREPARED BASED ON INFORMATION PROVIDED BY OTHERS. BKF ENGINEERS HAS NOT VERIFIED THE ACCURACY AND/OR COMPLETENESS OF THIS INFORMATION AND SHALL NOT BE RESPONSIBLE FOR ANY ERRORS OR OMISSIONS THAT MAY BE INCORPORATED HEREIN AS A RESULT. BKF ENGINEERS DOES NOT ASSUME ANY RESPONSIBILITY FOR THE FIELD MODIFICATIONS TO THE PLANS.
 BY: BKF ENGINEERS DATE: JUNE 2011



McCarthy Building Companies, Inc.
 343 Sansome Street, 14th Floor
 San Francisco, California 94104
 P 415 | 364-1339
 F 415 | 397-5999



IDENTIFICATION STAMP
 DIV. OF THE STATE ARCHITECT
 OFFICE OF REGULATION SERVICE
 APPL. # 01-110097
 AC: FLS SS
 DATE: _____
 FILE NUMBER: _____

This and all other project documents and of any nature and design incorporated therein are instruments of service. All project documents are the property of LPA, KH and shall remain the property of LPA, KH and shall not be used for any other project or purpose without the written consent of LPA, KH. The contractor shall verify the accuracy of all project documents and the field conditions. LPA, KH and KH are not responsible for any errors or omissions in the project documents or the field conditions. Project documents describe design intent of each and are not a representation of as-built or existing conditions. LPA and KH's consent does not constitute an approval of any work or any other project documents and the contractor shall be responsible for any errors or omissions in the project documents and the field conditions.

College of San Mateo
 Site Package
 San Mateo, CA
 Developed for
 San Mateo County Community College District

Revision	Description	Date

Revision	Description	Date
19	SUBMITTAL	SEPT 2008
09	FINAL	APRIL 2009
15	FOR CONSTRUCTION	FEB 2011
16	PROJECT RECORD DRAWING	JUNE 2011

Job No.	27082.30
Date	02 APRIL 2009
Drawn by	MD, JT
Checked by	RH
Scale	1"=20'

GRADING AND DRAINAGE PLAN ENLARGEMENTS
C5.34