

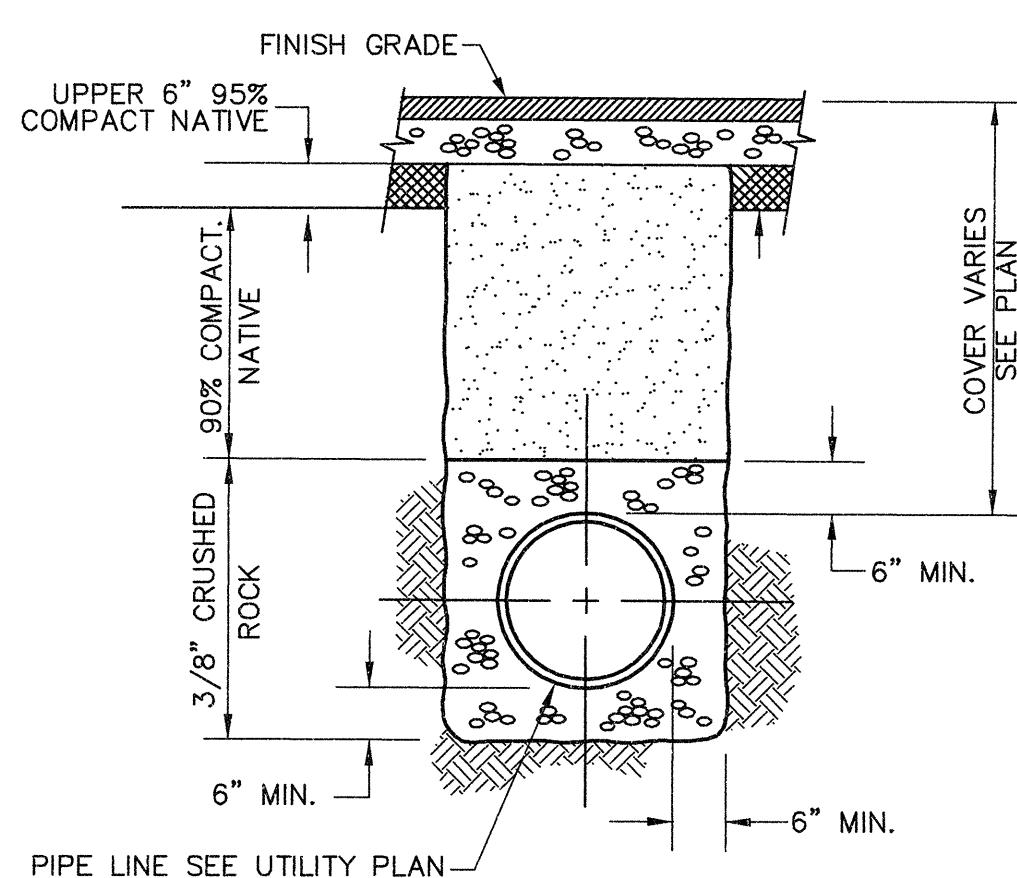
DROP INLET TABLE

MODEL No.	CPC MODEL NAME	A		B		C	
		IN	MM	IN	MM	IN	MM
CP1212	EK	12	300	12	300	4	100
CP1818	CK	18	450	18	450	5	125
CP1824	1K*	18	450	24	600	5	125
CP2424	2K	24	600	24	600	5	125
CP2430	3K	24	600	30	750	5	125
CP3030	5K	30	750	30	750	6	150
CP2436	1L	24	600	36	900	6	150
CP3636	1M	36	900	36	900	6	150
CP2448	3L	24	600	48	1200	6	150
CP3648	3M	36	900	48	1200	6	150
CP4848	1R	48	1200	48	1200	6	150

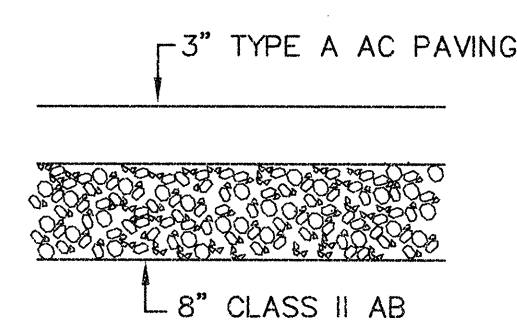
NOTES:

- FRAMES AND GRATES MAY BE SPECIFIED FOR PEDESTRIAN OR H2O TRAFFIC LOADING. ALL GRATES ARE BICYCLE PROOF. OPTIONAL GRATE LOCKING DEVICE AVAILABLE ON REQUEST. SEE DRAWING 'LOCK' ON PAGE 1-7. CLOSED-MESH GRATES OR CAST IRON FRAME AND GRATES ARE AVAILABLE ON REQUEST.
- FOR SURFACE AND DISCHARGE OPTIONS AVAILABLE SEE DRAWING NO. 'DI-SO' PAGE 1-6 AND 'DI-DO' PAGE 1-5.
- FRAMES AND GRATES DETAILS SEE PAGES 1-8, 1-9, AND 1-10.
- WALL THICKNESSES ON ALL D.I.S. CAN BE CHANGED UPON REQUEST.
- 18" WIDE D.I.'S REPLACE THE OLD 16" WIDE BOX BK & 1K.

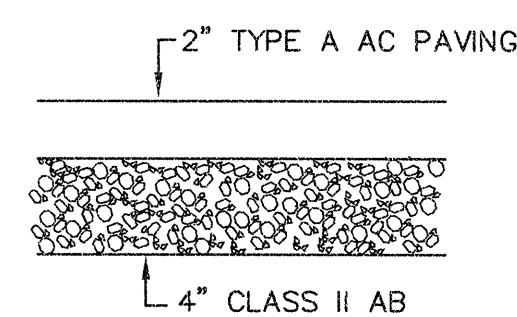
1 STORM DRAIN DROP INLET
NOT TO SCALE



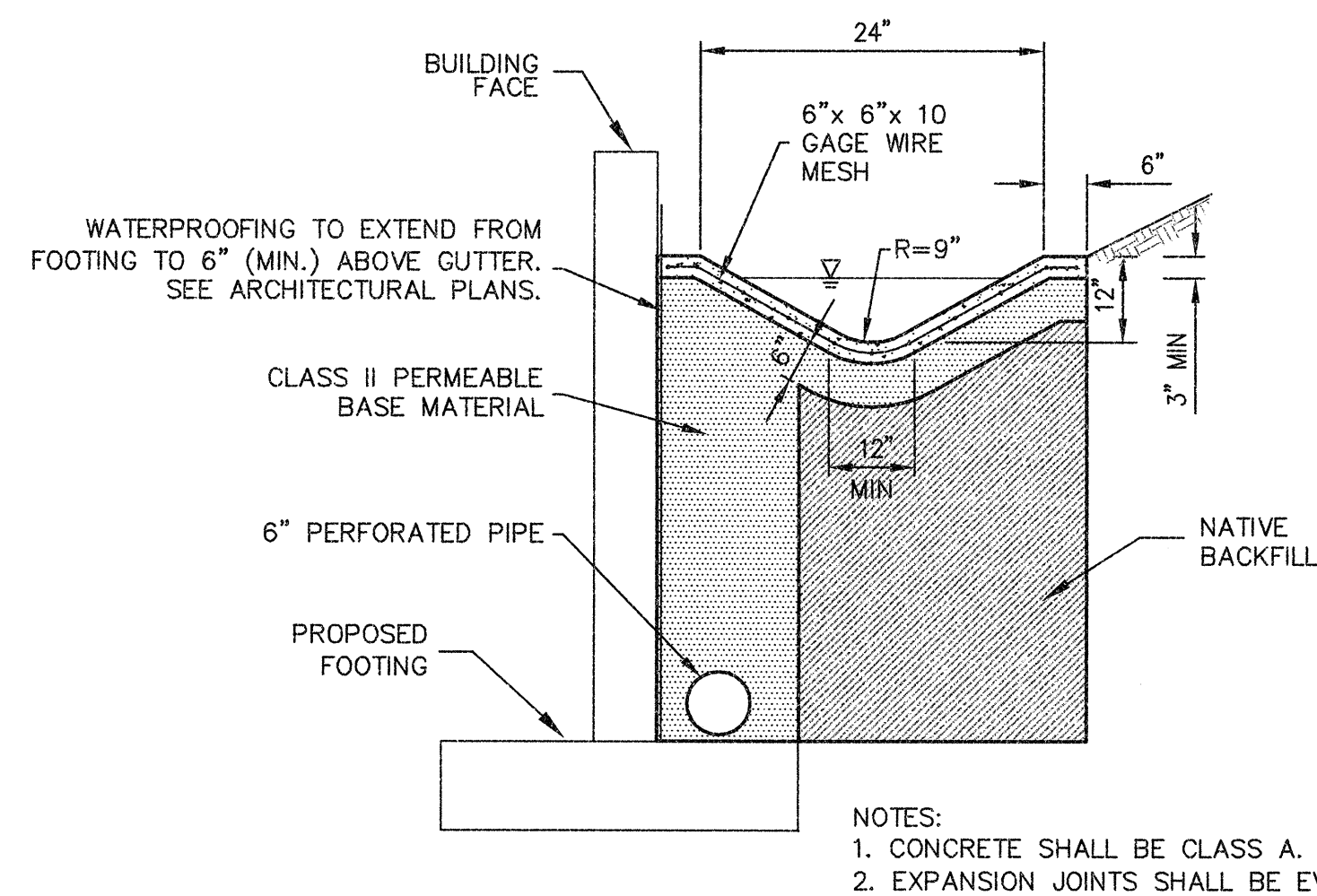
2 UTILITY TRENCH
NOT TO SCALE



3 VEHICULAR PAVING
NOT TO SCALE

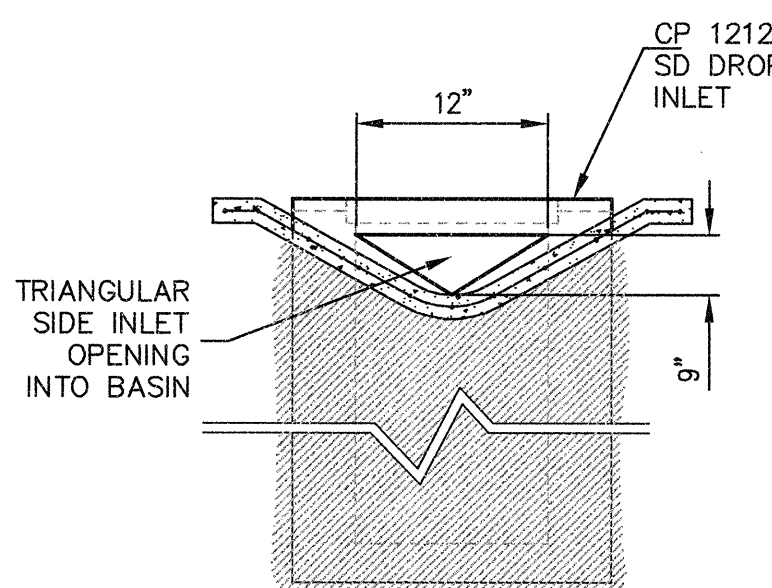


4 PEDESTRIAN PAVING
NOT TO SCALE

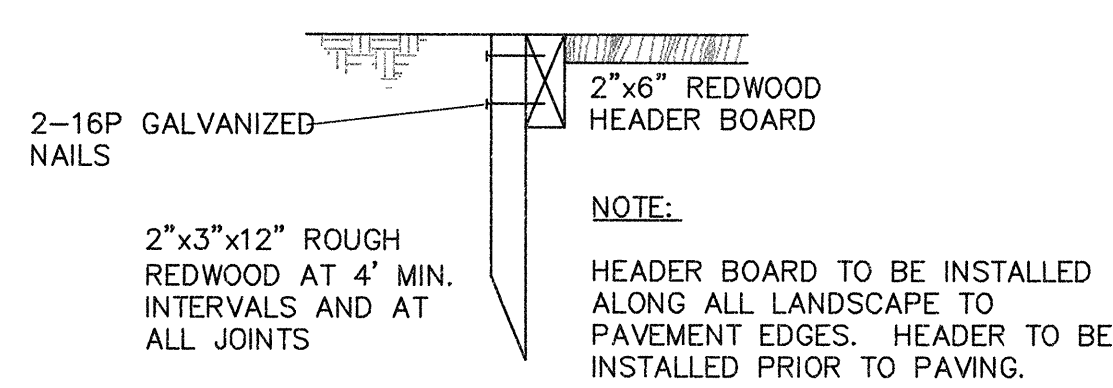


- NOTES:**
- CONCRETE SHALL BE CLASS A.
 - EXPANSION JOINTS SHALL BE EVERY 10 FEET.

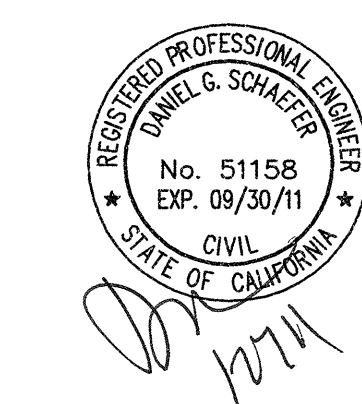
5 CONCRETE VALLEY GUTTER AT BUILDING 30
NOT TO SCALE



6 STORM DRAIN DROP INLET GRATE
NOT TO SCALE



7 REDWOOD HEADER
NOT TO SCALE



IDENTIFICATION STAMP
DIVISION OF THE STATE ARCHITECT

APPLICATION NUMBER 01-111618
AC: [initials] FL: [initials] [initials] [initials]
DATE 2/9/11

CALIFORNIA STATE FIRE MARSHAL
APPROVED

APPROVAL OF THIS PLAN DOES NOT AUTHORIZE OR APPROVE ANY
CONSTRUCTION OR DEVIATION FROM APPLICABLE REGULATIONS. FINAL
APPROVAL IS SUBJECT TO FIELD INSPECTION. ONE SET OF APPROVED
PLANS SHALL BE AVAILABLE ON THE PROJECT SITE AT ALL TIMES.

REVIEWED BY: _____ DATE: _____

CAÑADA COLLEGE

Electrical
Infrastructure
Replacement
Project

4200 Farm Hill Blvd
Redwood City, CA 94061

BID SET

SHEET TITLE
**CONSTRUCTION
DETAILS**

REVISIONS		
NO.	DATE	DESCRIPTION

DATE January 14, 2011
DRAWN ESS
CHECKED RCS
SCALE NOT TO SCALE
JOB NO. 2921.01

SHEET NUMBER
C5.01