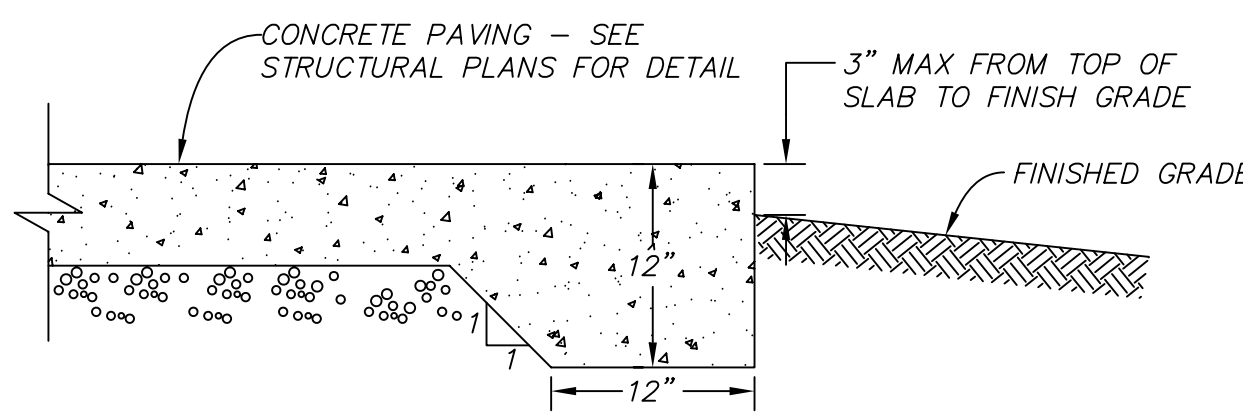
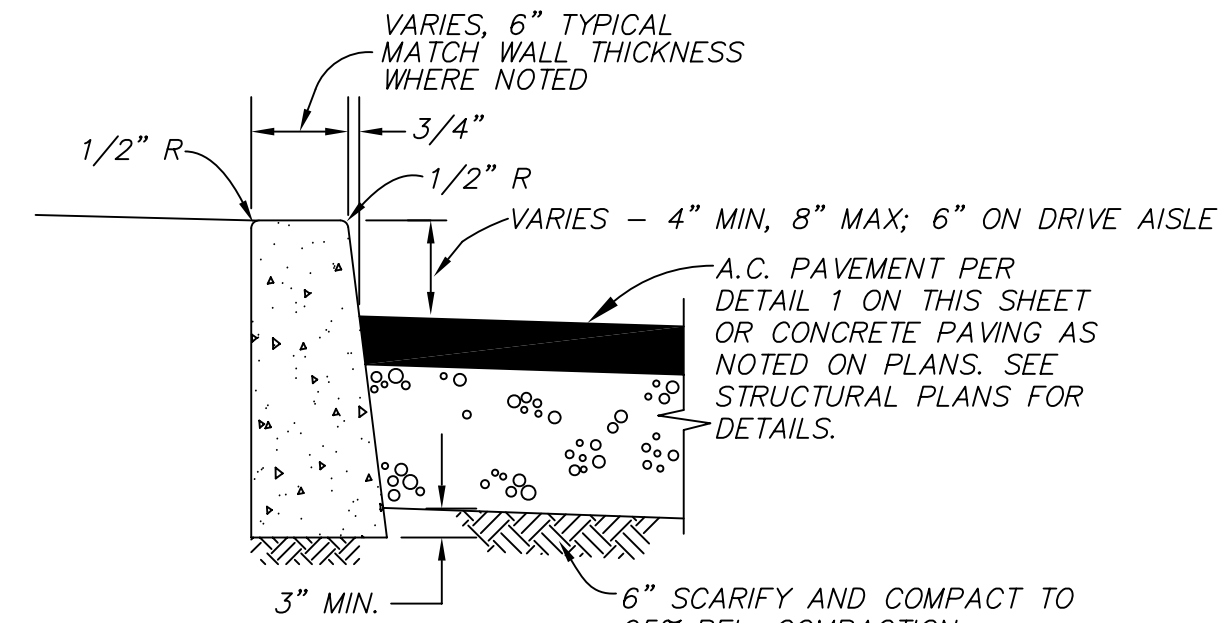


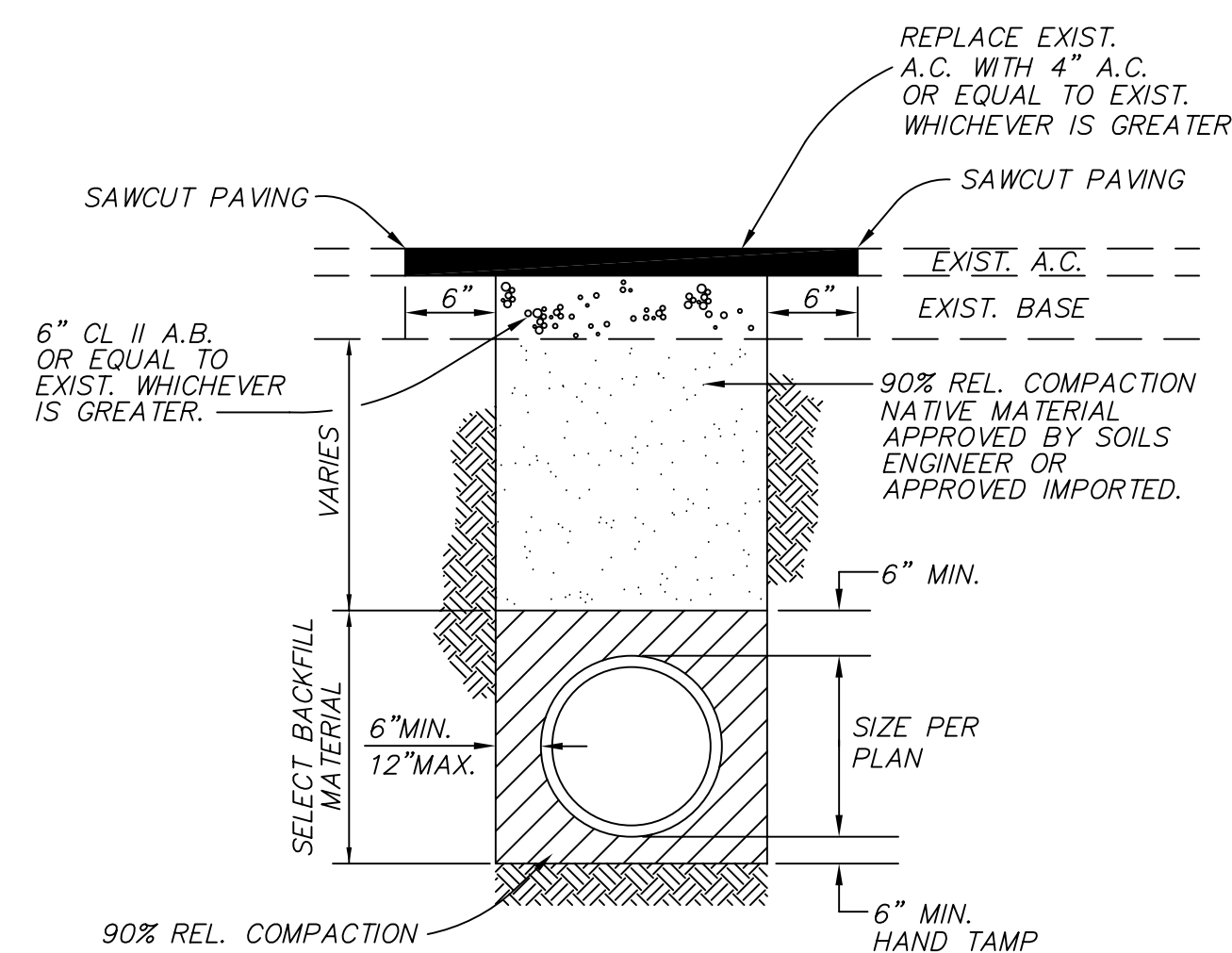
ASPHALT PAVEMENT SECTION 1
N.T.S.



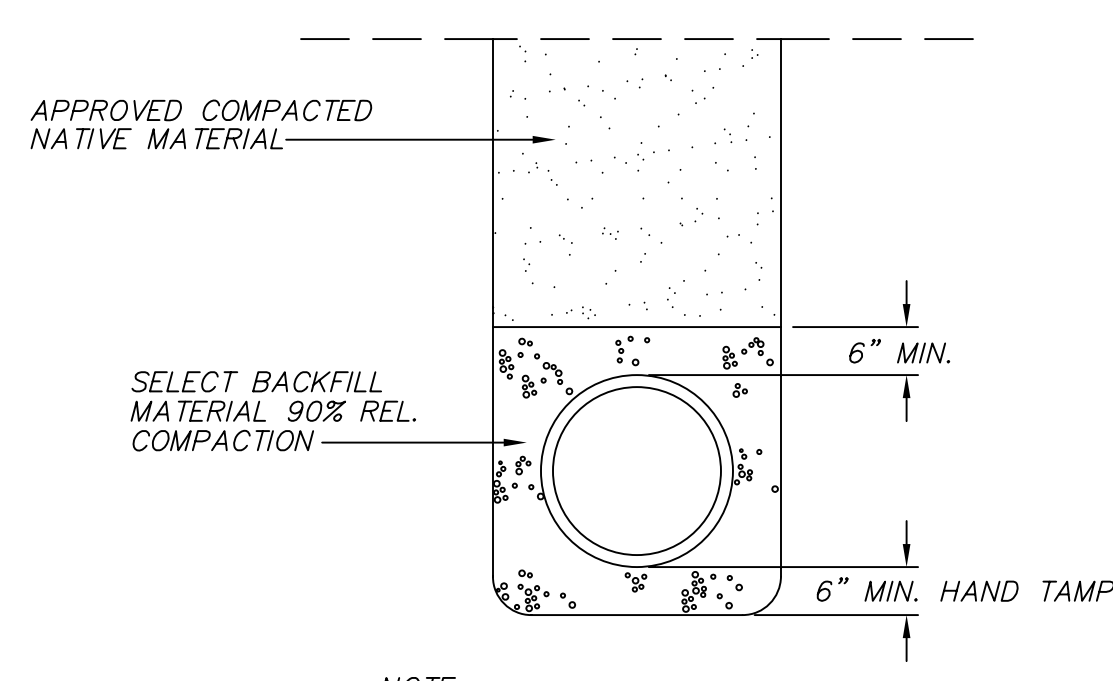
THICKENED EDGE AT CONCRETE RAMP 2
N.T.S.



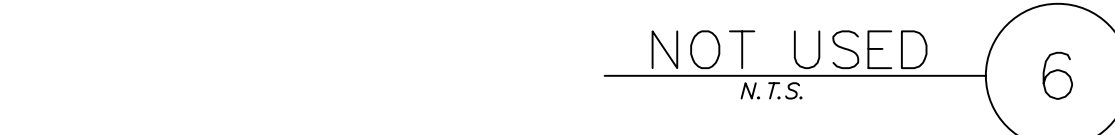
VERTICAL CURB 3
N.T.S.



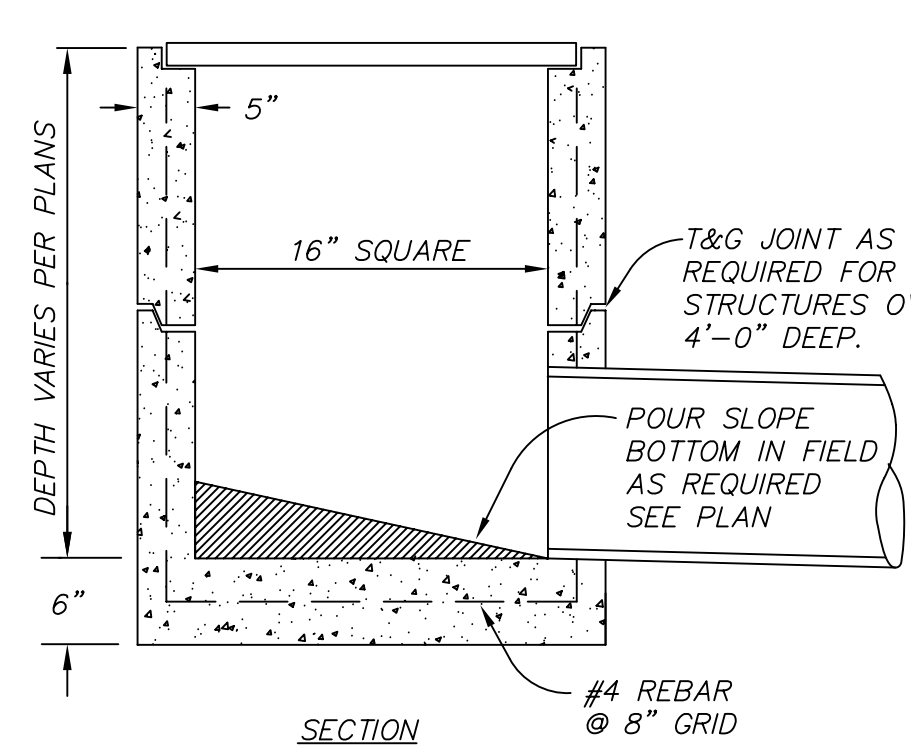
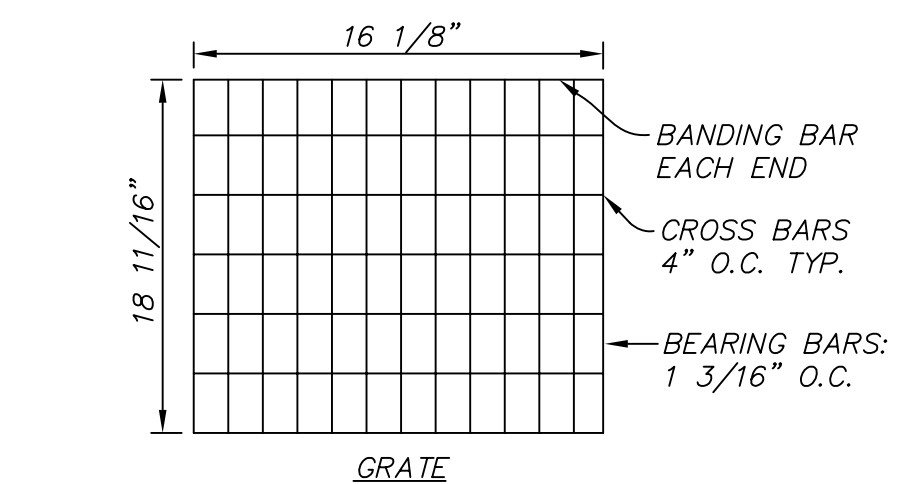
TRENCH DETAIL EXIST. PAVEMENT AREA 4
N.T.S.



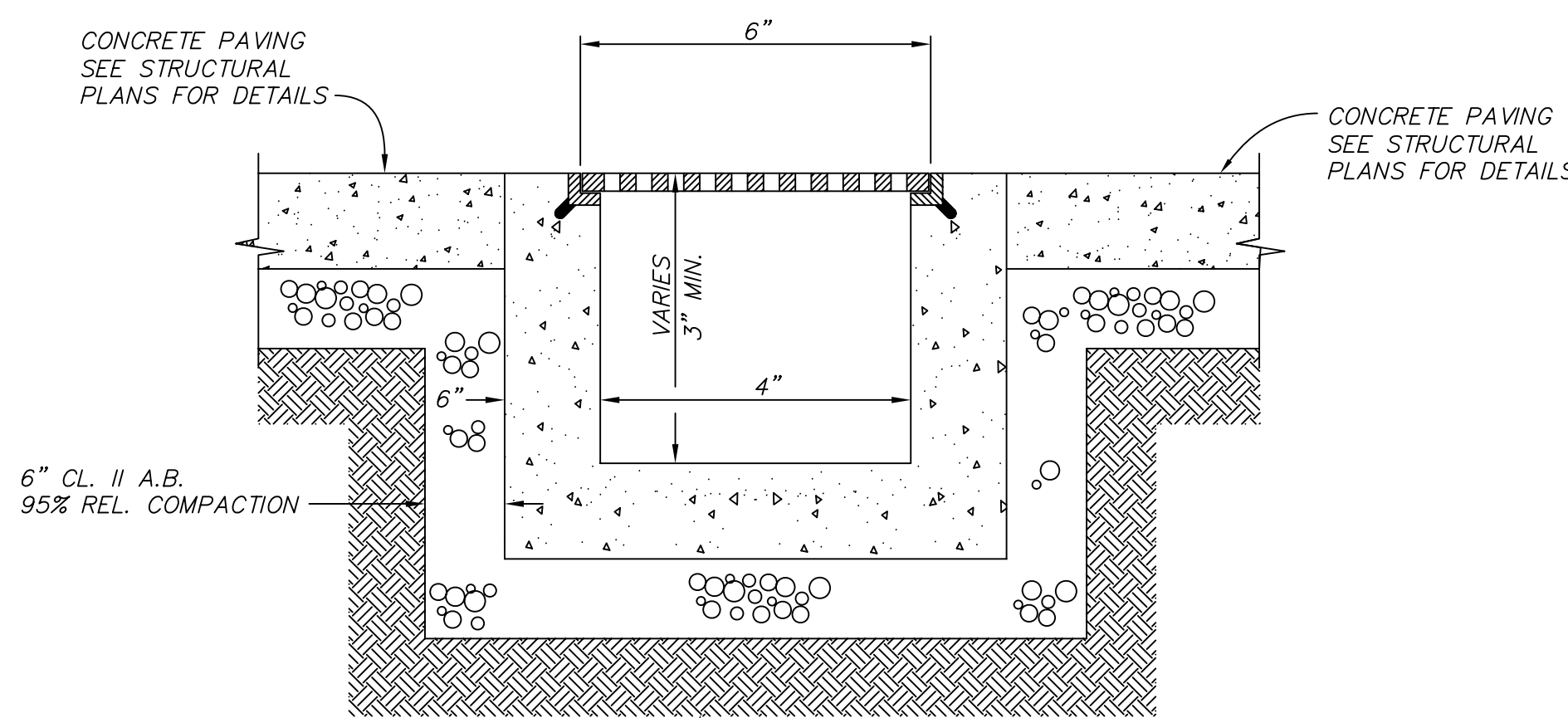
TRENCH DETAIL 5
N.T.S.



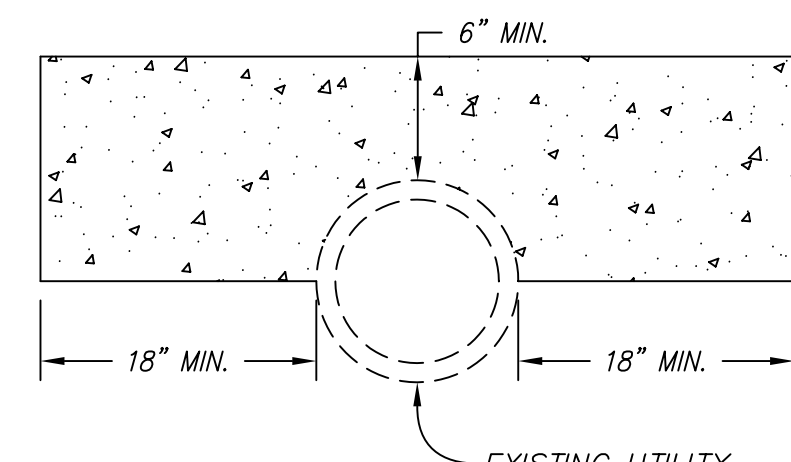
NOT USED 6
N.T.S.



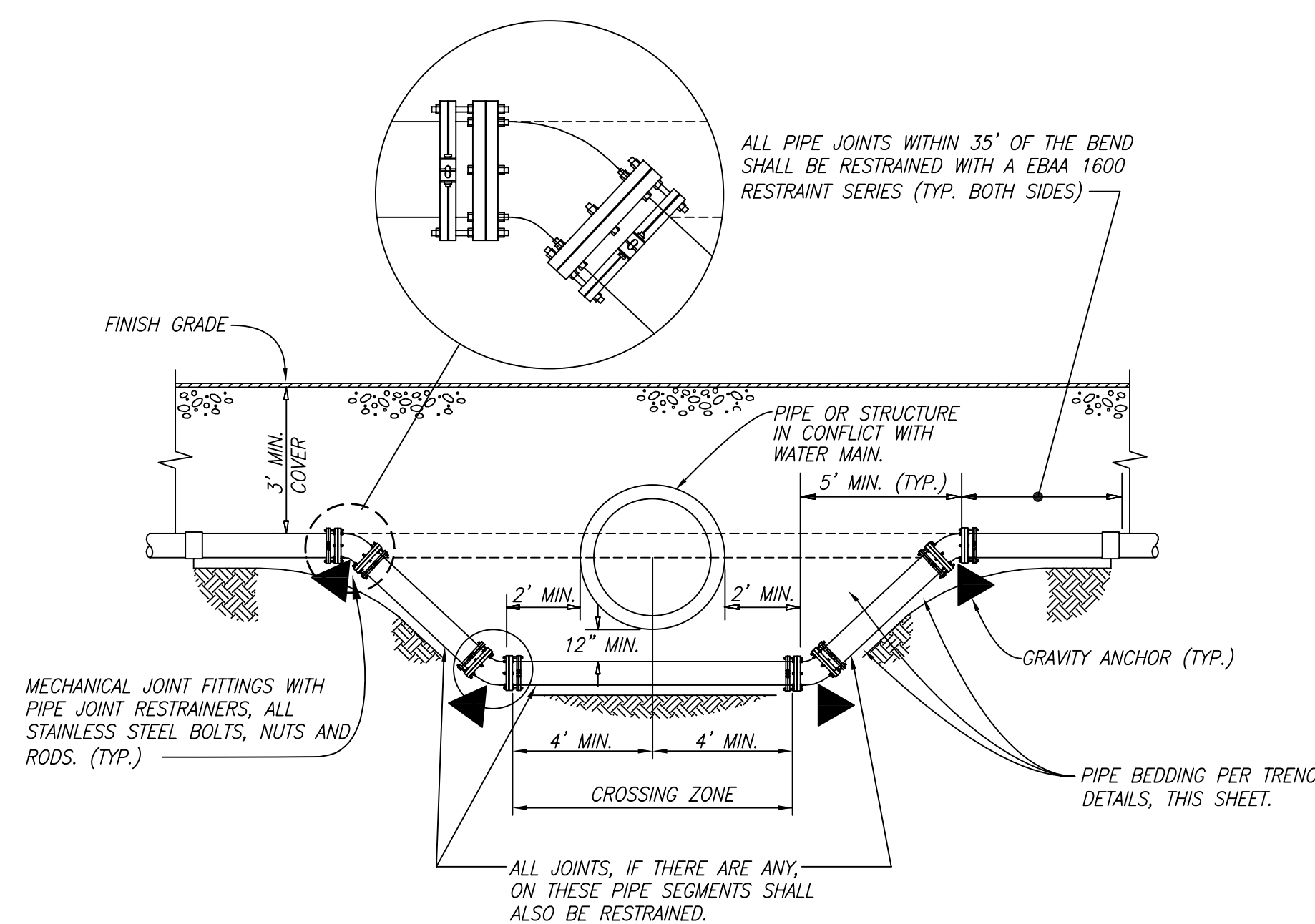
JUNCTION BOX DETAIL 7
N.T.S.



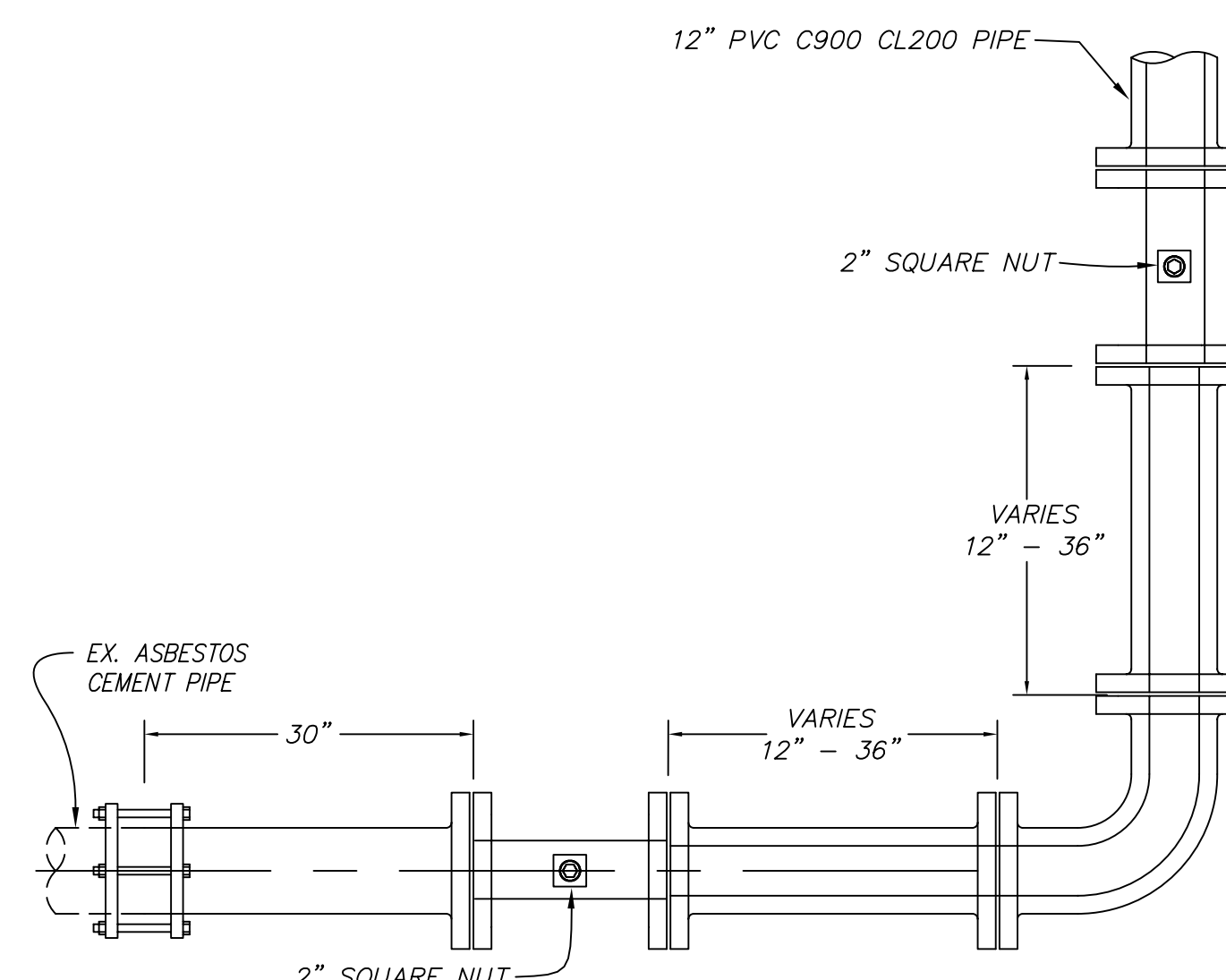
TRENCH DRAIN 8
N.T.S.



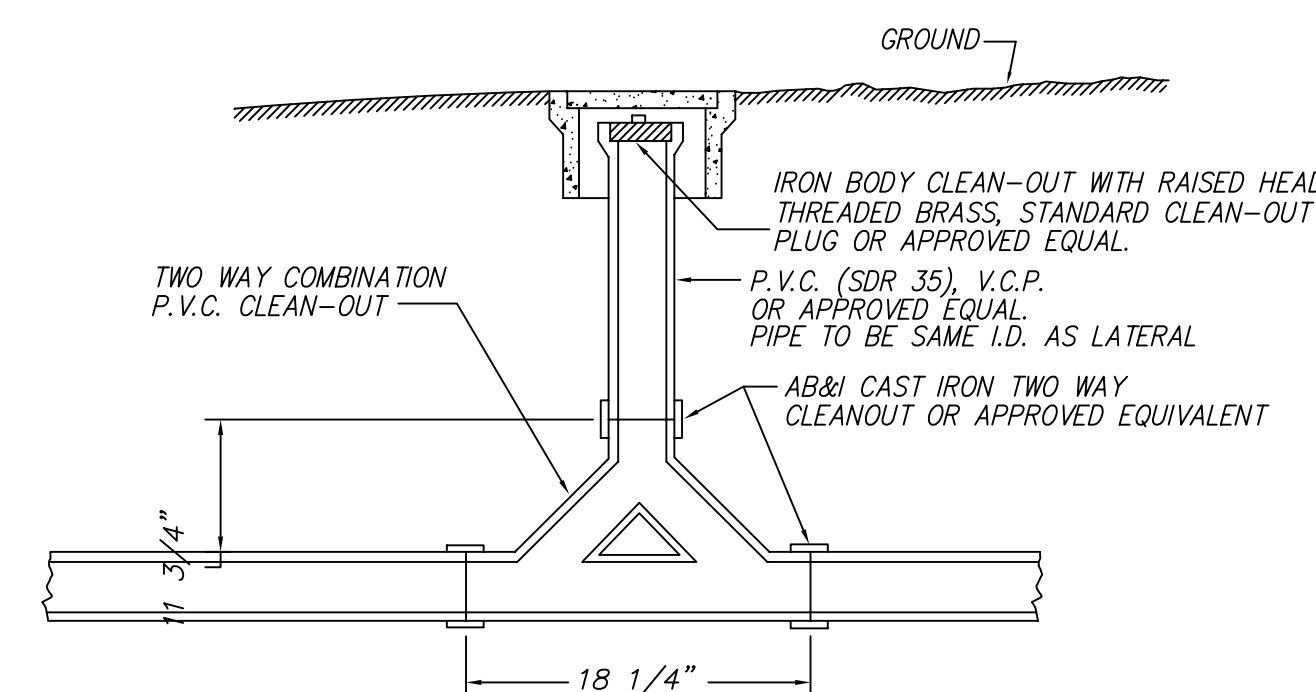
CONCRETE ENCASEMENT 9
N.T.S.



UTILITY CROSSING DETAIL 10
N.T.S.



WATER LINE INTERCONNECT 11
N.T.S.



- NOTES:
- ALL CLEAN-OUT BOXES SHALL BE MANUFACTURED BY CHRISTY CONCRETE PRODUCTS WITH THE FOLLOWING SPECIFICATION NUMBERS:
- | | | |
|-----|----------|-----|
| | 4" RISER | |
| BOX | V-1 | G-5 |
| LID | D-210 | G5C |
- LIDS SHALL BE MARKED "SS00"

TWO-WAY CLEANOUT 12
N.T.S.

THRUST BLOCK TABLE				
TYPE OF FITTING	90° BEND & BURIES	45° BEND	11 1/4" OR 22 1/2" BEND	TEE OR DEAD END
TYPICAL PLAN VIEW				
REQUIRED BEARING TOTAL AREA IN SQUARE FEET				
4"	2.6	1.4	0.8	1.9
6"	5.3	2.9	1.5	3.8
8"	9.1	5.0	2.6	6.5
10"	13.7	7.5	3.8	9.7
12"	19.4	10.5	5.4	13.7
14"	26.0	14.1	7.2	18.4

THRUST BLOCK NOTES

- Thrust blocks to be constructed of class "2" concrete
- Blocks to be poured against undisturbed soil.
- Joints to be kept free of concrete. Allow working room.
- Abrupt changes in vertical alignment shall be anchored.
- Areas given are for class 200 pipe at a test pressure of 200 psi in soil with 2,000 psf bearing capacity. Subject to field conditions.
- Tapping sleeves shall have thrust blocks sized the same as tees.
- All bends shall have Thrust Block or Mechanical Restraints per contract specifications whether shown on plan or not.

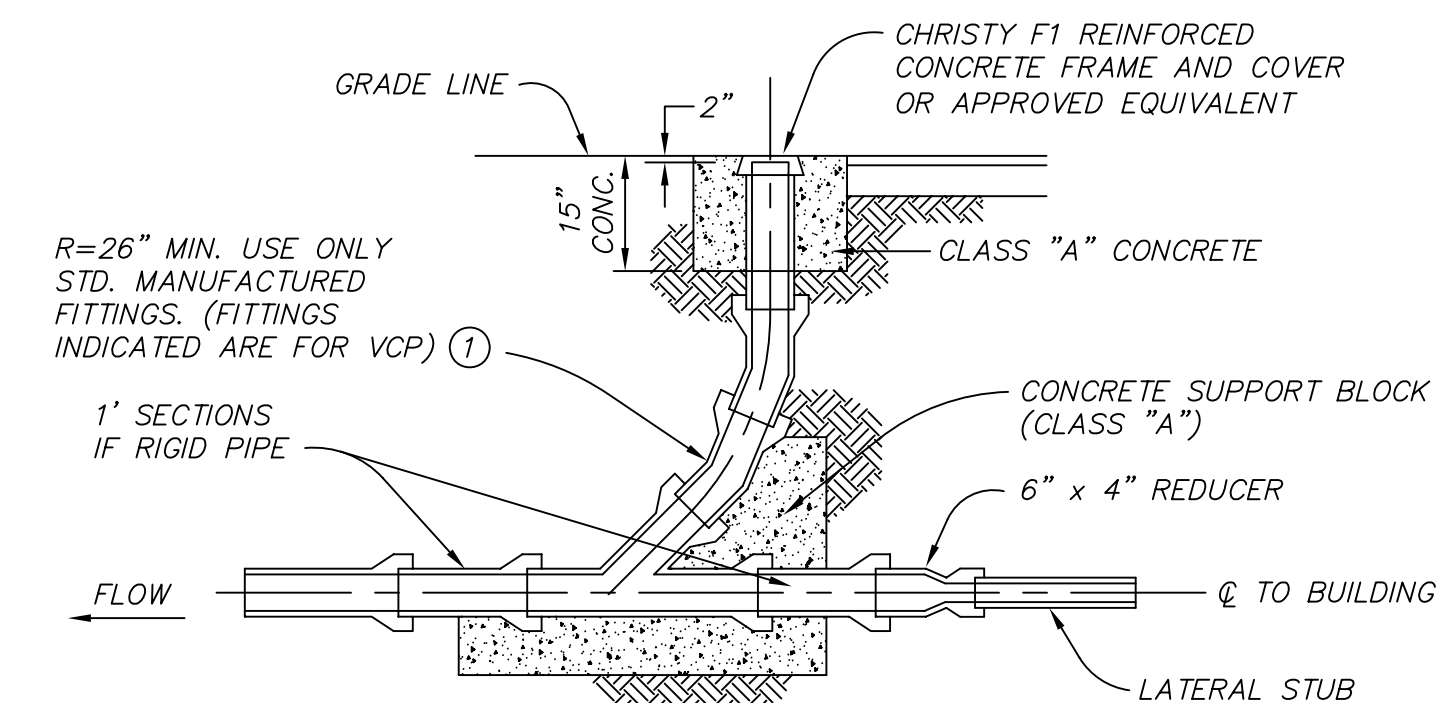
THRUST BLOCK DETAIL 13
N.T.S.

THRUST CALCULATION TABLE				
TYPE OF FITTING	90° BEND & BURIES	45° BEND	11 1/4" OR 22 1/2" BEND	TEE OR DEAD END
TYPICAL PLAN VIEW				
THRUST FORCE, T, IN POUNDS				
4"	5120	2770	1415	3620
6"	10580	5725	2920	7480
8"	18200	9850	5020	12865
10"	27370	14815	7555	19355
12"	38710	20950	10680	27370
14"	52005	28145	14350	36770

THRUST CALCULATION NOTES

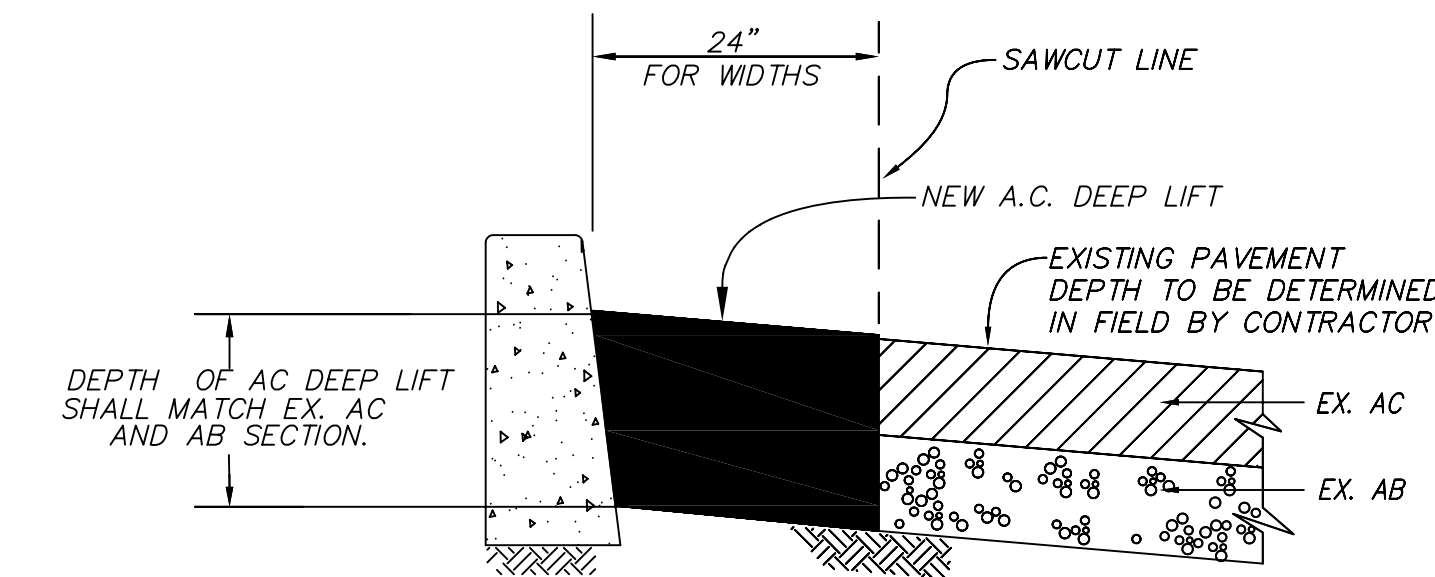
- Calculations based on NFPA 24, TABLE A-8-6.2, 2000 EDITION
- Thrust Calculation given are for PVC C900 class 200 pipe at a static test pressure of 200 psi in soil with 2,000 psf bearing capacity. Subject to field conditions.

THRUST CALCULATIONS 14
N.T.S.



- NOTE: ① FOR P.V.C. PIPE, LARGE 90° MANUFACTURED SWEEPS MAY BE USED IF R=36" OR GREATER.

CLEANOUT w/ LATERAL STUB 15



- NOTE: DEEP-LIFT SHALL BE INSTALLED IN A MINIMUM OF 2 LIFTS, ONE 4" MAX DEEP LIFT WITH ANOTHER 2" OVERLAY.

A.C. DEEP LIFT 16
N.T.S.