



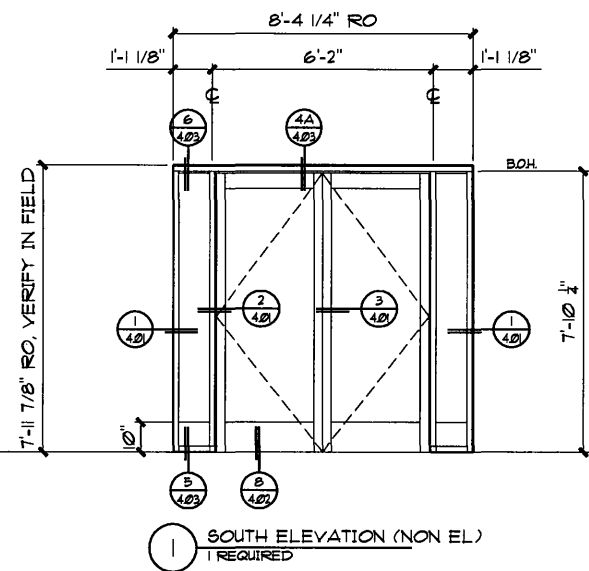
CSM BUILDING 12

SAN MATEO, CA

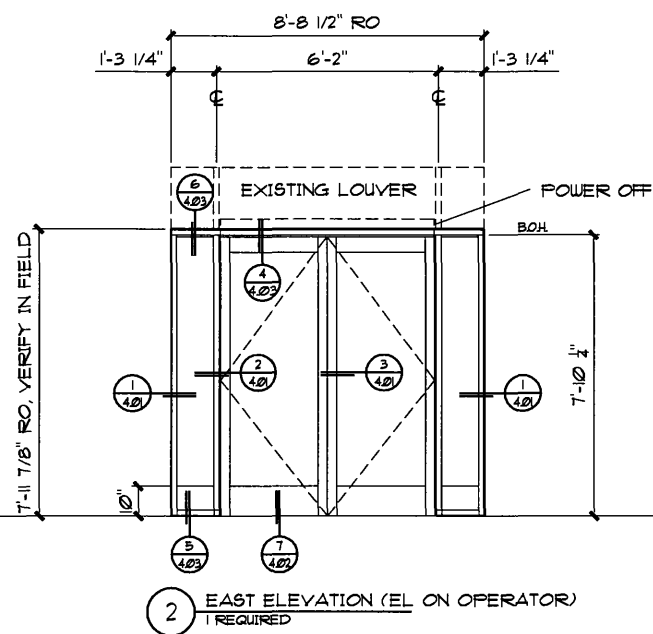
ARCHITECT: NOLL & TAM

CONTRACTOR: PANKOW

-	FOR APPROVAL	03/18/10	GO
△	DESCRIPTION	DATE	BY
Job #: 17-296		CAD File: CSM-012	



1 SOUTH ELEVATION (NON EL)
1 REQUIRED



2 EAST ELEVATION (EL ON OPERATOR)
1 REQUIRED

AUTO OPERATOR
ON RIGHT SIDE
FROM EXTERIOR

SOUTH DOOR HARDWARE

2 EA	CONTINUOUS HINGE	112HD EPT	313 IVE
1 EA	PANIC HARDWARE	SD-9947NL X 990NL (NON EL) SD-EL9947NL	313 VON
1 EA	PANIC HARDWARE	SD-9947DT X 990DT (NON EL) SD-EL9947DT	313 VON
1 EA	IC RIM CYLINDER	20-057T X ICX (CONST CORE)	613 SCH
1 EA	PERMANENT CORE	20-740 (PRIMUS)	606 SCH
2 EA	MORTISE CYLINDER	20-771 (FOR SD DOGGING)	613 SCH
2 EA	SURFACE CLOSER	4041-79LR X 18G MTG PLATE (TOP JAMB MOUNTED)	695 LCN
2 EA	OVERHEAD STOP	100S	613 GLY
1 SET	WEATHER SEAL	SUPPLY WITH DOOR AND FRAME ASSEMBLY	
2 EA	DOOR SWEEP	SUPPLY WITH DOOR AND FRAME ASSEMBLY	
1 EA	THRESHOLD	PER DETAIL	DUR
1 EA	POWER SUPPLY	PS873 X X-2	GRY VON
1 EA	POWER TRANSFER	EPT-10	313 IVE

EAST DOOR HARDWARE

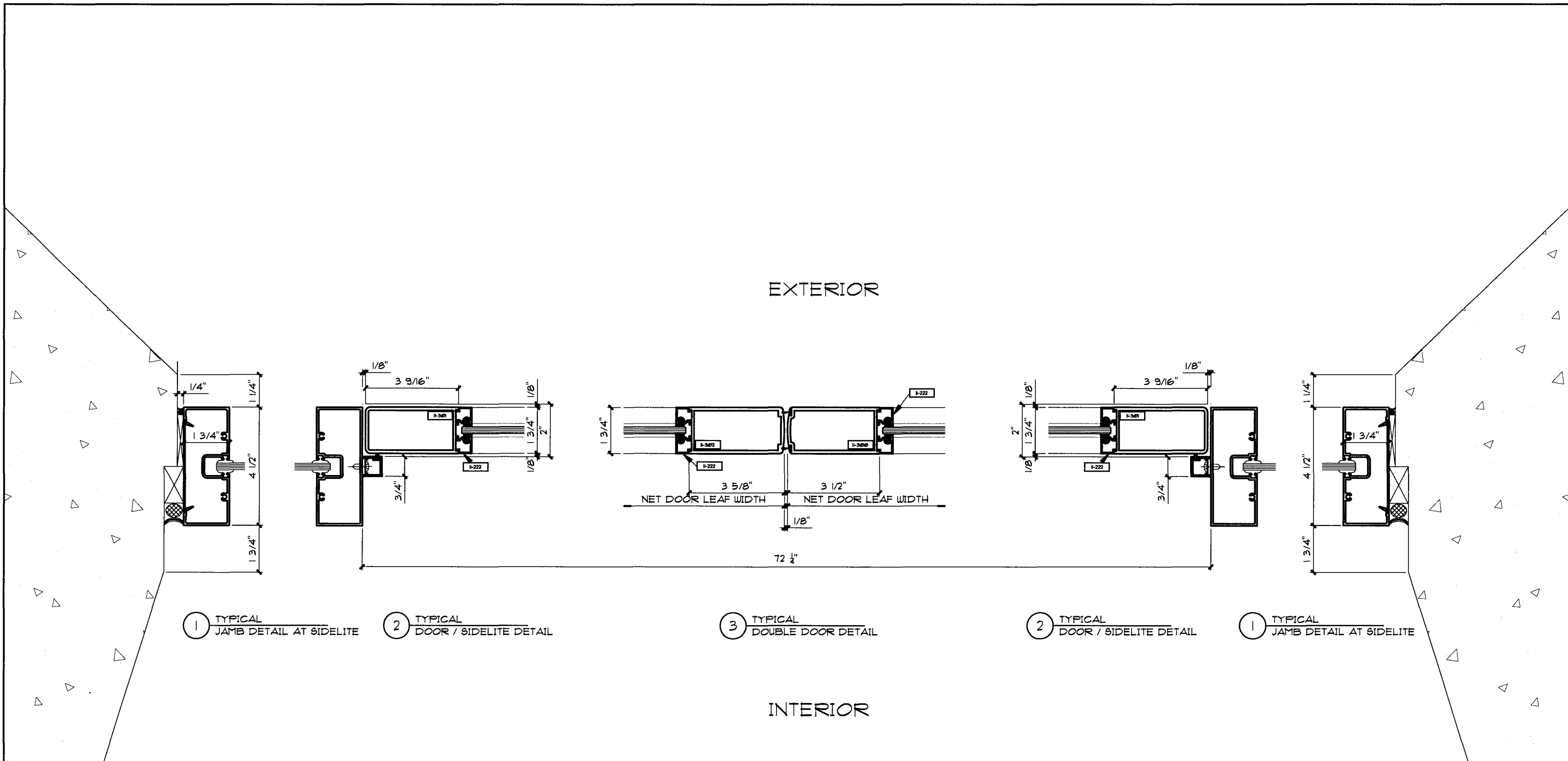
1 EA	POWER TRANSFER	EPT-10	313 VON
2 EA	CONTINUOUS HINGE	112HD EPT	313 IVE
1 EA	PANIC HARDWARE	SD-EL9947NL X 990NL	313 VON
1 EA	PANIC HARDWARE	SD-9947DT X 990DT SD-EL9947DT	313 VON
1 EA	IC RIM CYLINDER	20-057T X ICX (CONST CORE)	613 SCH
2 EA	PERMANENT CORE	20-740 (PRIMUS)	606 SCH
2 EA	MORTISE CYLINDER	20-771 (FOR SD DOGGING)	613 SCH
1 EA	SURFACE CLOSER	4041-79LR X 18G MTG PLATE (TOP JAMB MOUNTED)	695 LCN
1 EA	AUTO-EQUALIZER	4642 FLUSH CEILING MOUNT (PUSH SIDE)	695 LCN
2 EA	OVERHEAD STOP	100S	613 GLY
1 SET	WEATHER SEAL	SUPPLY WITH DOOR AND FRAME ASSEMBLY	
2 EA	DOOR SWEEP	SUPPLY WITH DOOR AND FRAME ASSEMBLY	
1 EA	THRESHOLD	PER DETAIL	DUR
1 EA	POWER SUPPLY	PS873 X X-2	GRY VON
4 EA	2 EA ACTUATOR, WALL MOUNT	8310-856	630 LCN
4 EA	2 EA ESCUTCHEON	8310-874	630 LCN
1 EA	1 EA KEY SWITCH	701 NUG	SDC

REVISION	BY

Walters & Wolf
 41450 Boscell Rd.
 Fremont, CA 94538
 (916) 480-1115

CSM BUILDING 12
SAN MATEO, CA
ARCHITECT: NOLL & TAM
CONTRACTOR: PANKOW

Date:	3/18/10
Scale:	3/8"=1'-0"
Drawn:	G.O.
Job #:	17-296
CAD File:	201



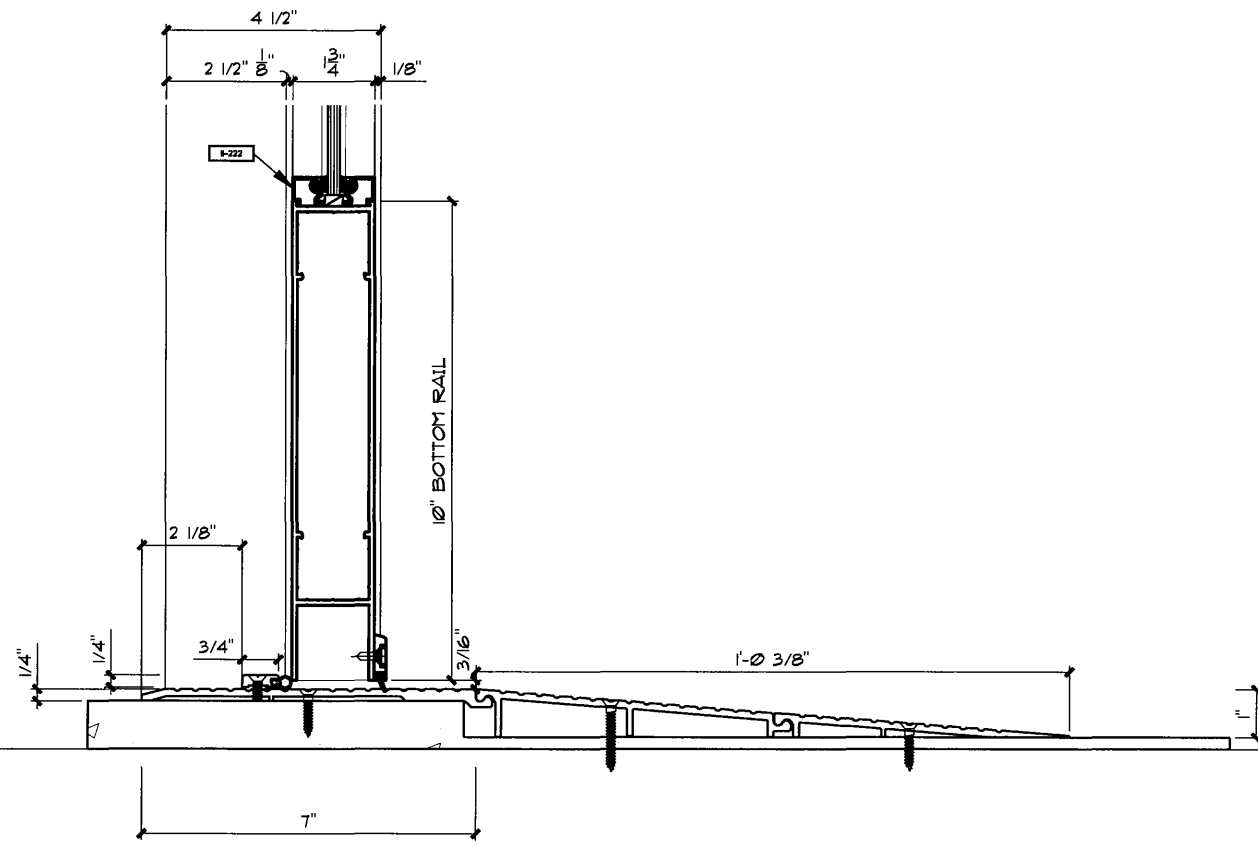
REVISION	BY

Walters & Wolf
 41450 Boacell Rd.
 Fremont, CA 94538
 (916) 480-1115

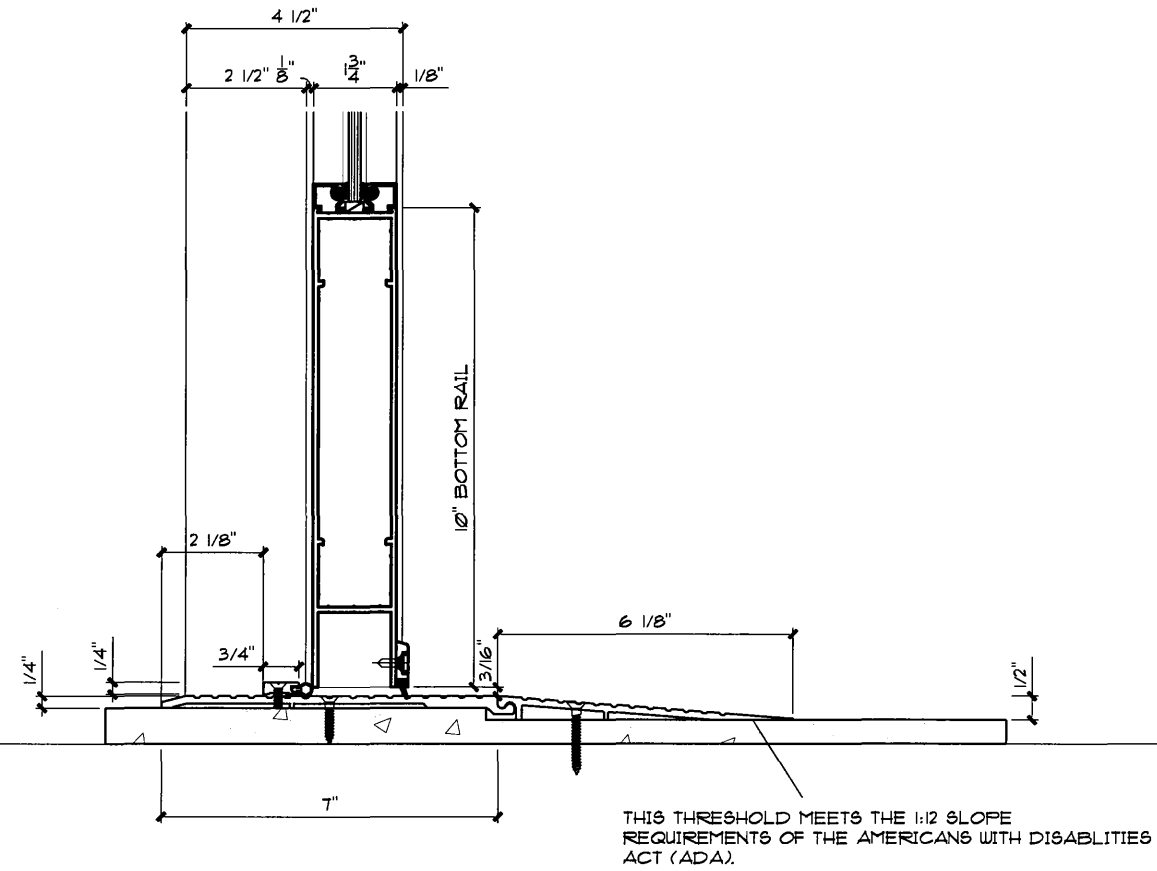
CSM BUILDING 12
SAN MATEO, CA
ARCHITECT: NOLL & TAM
CONTRACTOR: PANKOW

X
 Date: 3/18/10
 Scale: 6" = 1'-0"
 Drawn: G.O.
 Job #: 17-296
 CAD File: 401

4.01



7 EAST ELEVATION
BOTTOM DOOR RAIL



8 SOUTH ELEVATION
BOTTOM DOOR RAIL

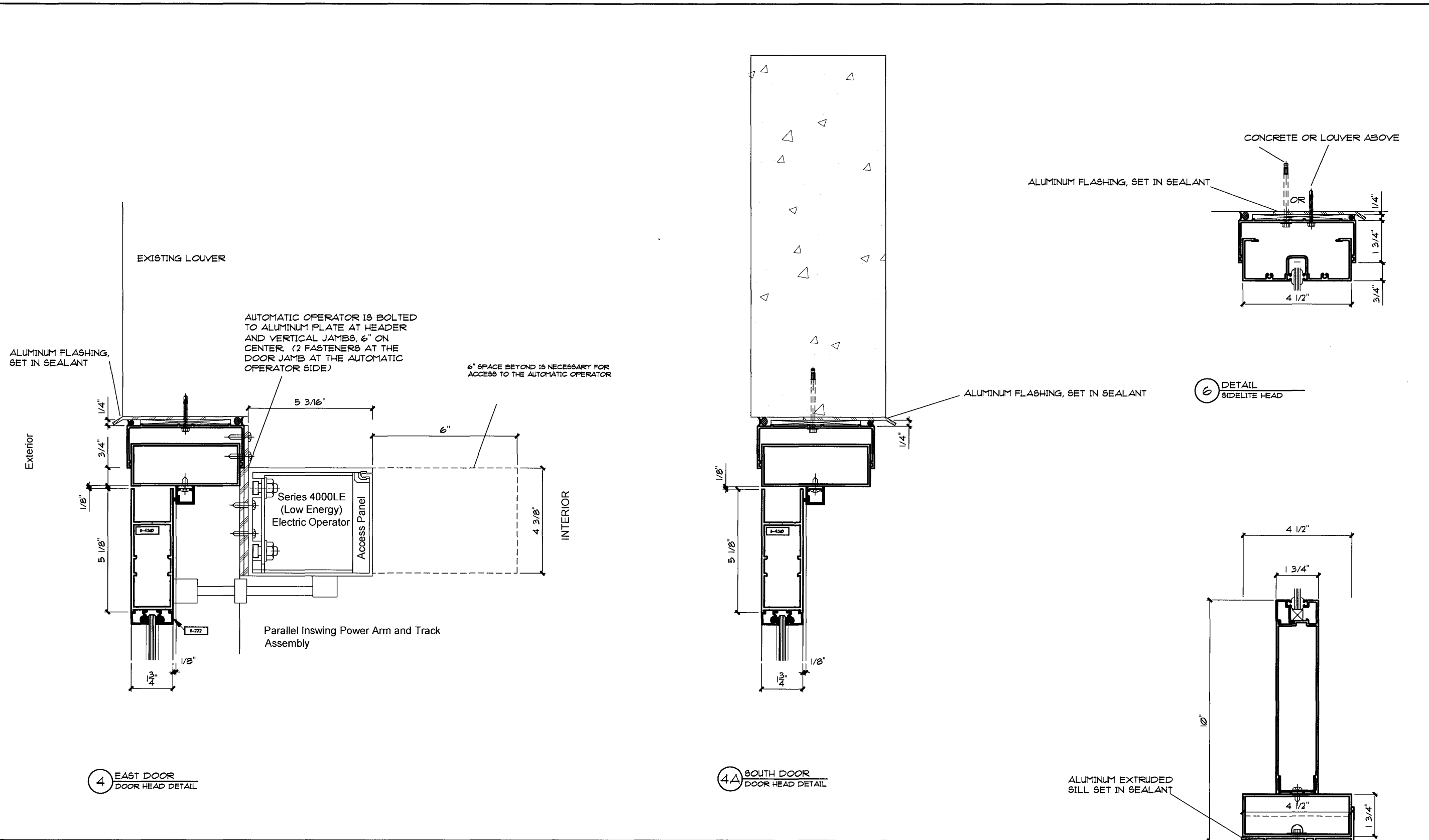
REVISION	BY

Walters & Wolf
 41460 Borcell Rd.
 Fremont, CA 94538
 (510) 480-1116

CSM BUILDING 12
SAN MATEO, CA
ARCHITECT: NOLL & TAM
CONTRACTOR: PANKOW

Date:	3/18/10
Scale:	6" = 1'-0"
Drawn:	G.O.
Job #:	17-296
CAD File:	402

4.02



REVISION	BY

Walters & Wolf
 41480 Borecell Rd
 Fremont, CA 94538
 (610) 480-1115

CSM BUILDING 12
SAN MATEO, CA
ARCHITECT: NOLL & TAM
CONTRACTOR: PANKOW

X
Date: 3/18/10
Scale: 6"=1'-0"
Drawn: G.O.
Job #: 17-296
CAD File: 403

4.03



CSM BUILDING 12 L2

SAN MATEO, CA

ARCHITECT: NOLL & TAM

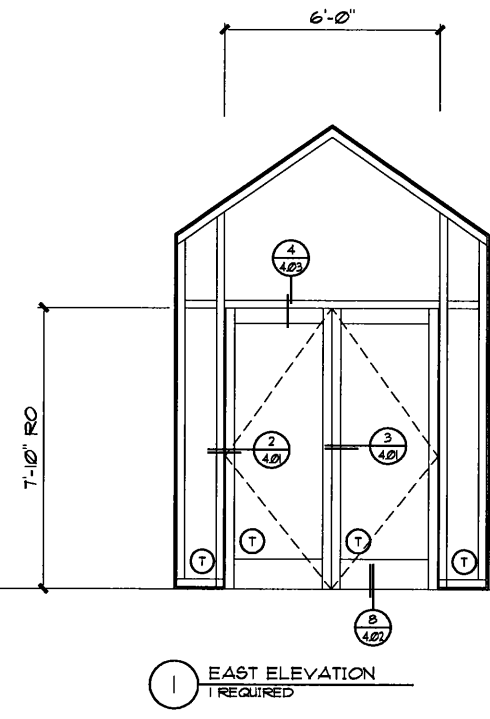
CONTRACTOR: PANKOW

-	FOR APPROVAL	08/4/10	GO
△	DESCRIPTION	DATE	BY
Job #: 17-296		CAD File: CSM-012	

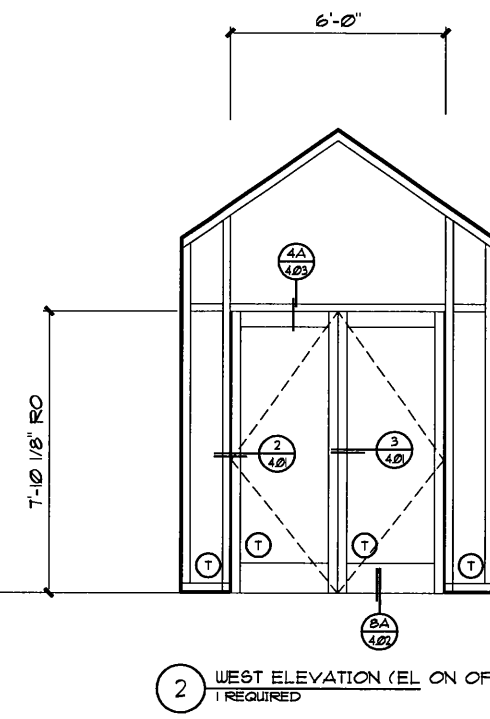
REVISION	BY

Walters & Wolf
 41450, Roseell Rd
 Fremont, CA 94538
 (510) 480-1116

CSM BUILDING 12 L2
SAN MATEO, CA
ARCHITECT: NOLL & TAM
CONTRACTOR: PANKOW



1 EAST ELEVATION
 1 REQUIRED



2 WEST ELEVATION (EL ON OPERATOR)
 1 REQUIRED

7 TEMPERED GLASS

EAST DOOR HARDWARE

- | | | |
|-----------------------|--|---------|
| 2 EA POWER TRANSFER | EPT-10 | 313 IVE |
| 2 EA CONTINUOUS HINGE | 112HD EPT | 313 IVE |
| 1 EA PANIC HARDWARE | SD-EL9947NL X 990NL | 313 VON |
| 1 EA PANIC HARDWARE | SD-EL9947DT X 990DT | 313 VON |
| 1 EA IC RIM CYLINDER | 20-057T X ICX (CONST CORE) | 613 SCH |
| 1 EA PERMANENT CORE | 20-740 (PRIMUS) | 606 SCH |
| 2 EA MORTISE CYLINDER | 20-771 (FOR SD DOGGING) | 613 SCH |
| 2 EA SURFACE CLOSER | 4041-79LR X 18G MTG PLATE (TOP JAMB MOUNTED) | 695 LCN |
| 2 EA OVERHEAD STOP | 100S | 613 GLY |
| 1 SET WEATHER SEAL | SUPPLY WITH DOOR AND FRAME ASSEMBLY | |
| 2 EA DOOR SWEEP | SUPPLY WITH DOOR AND FRAME ASSEMBLY | |
| 1 EA THRESHOLD | PER DETAIL | |
| 1 EA POWER SUPPLY | FS873 X X-2 | |


WEST DOOR HARDWARE

- | | | |
|----------------------------|--|---------|
| 2 EA POWER TRANSFER | EPT-10 | 313 VON |
| 2 EA CONTINUOUS HINGE | 112HD EPT | 313 IVE |
| 1 EA PANIC HARDWARE | SD-EL9947NL X 990NL | 313 VON |
| 1 EA PANIC HARDWARE | SD-EL9947DT X 990DT | 313 VON |
| 1 EA IC RIM CYLINDER | 20-057T X ICX (CONST CORE) | 613 SCH |
| 2 EA PERMANENT CORE | 20-740 (PRIMUS) | 606 SCH |
| 2 EA MORTISE CYLINDER | 20-771 (FOR SD DOGGING) | 613 SCH |
| 1 EA SURFACE CLOSER *1 | 4041-79LR X 18G MTG PLATE (TOP JAMB MOUNTED) | 695 LCN |
| 1 EA AUTO-EQUALIZER *2 | 4642 FLUSH CEILING MOUNT (PUSH SIDE) | 695 LCN |
| 2 EA OVERHEAD STOP | 100S | 613 GLY |
| 1 SET WEATHER SEAL | SUPPLY WITH DOOR AND FRAME ASSEMBLY | |
| 2 EA DOOR SWEEP | SUPPLY WITH DOOR AND FRAME ASSEMBLY | |
| 1 EA THRESHOLD *3 | PER DETAIL | |
| 1 EA POWER SUPPLY | FS873 X X-2 | |
| 1 EA ACUTUATOR, WALL MOUNT | 8310-856 | DUR |
| 1 EA ESCUTCHEON | 8310-874 | GRY VON |
| | | 630 LCN |
| | | 630 LCN |

*1- ONLY ONE OVERHEAD CLOSER REQUIRED AT LEFT DOOR LEAF
 *2- RIGHT DOOR LEAF TO RECEIVE AUTO-OPERATOR ONLY. NO OVERHEAD CLOSER REQUIRED ON THIS DOOR
 *3- 1" TRANSITION, RAMP THRESHOLD REQUIRED. SEE DETAIL 88A/4.02

Date:	08/4/10
Scale:	3/8" = 1'-0"
Drawn:	G.O.
Job #:	17-296
CAD File:	201

REVISION	BY



 41450 Borcell Rd
 Fremont, CA 94538
 (510) 480-1115

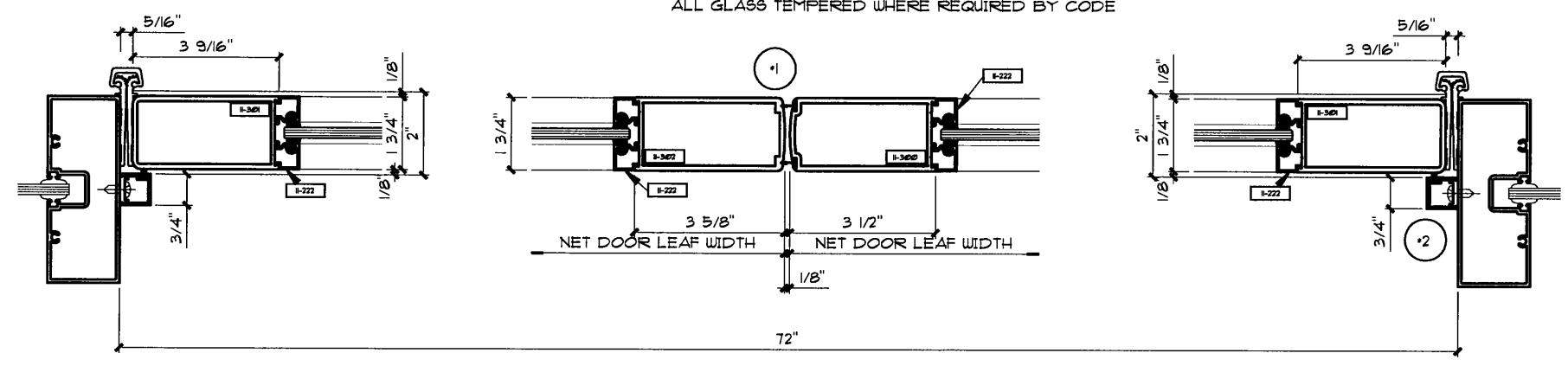
CSM BUILDING 12 L2
 SAN MATEO, CA
 ARCHITECT: NOLL & TAM
 CONTRACTOR: PANKOW

X
 Date: 08/4/10
 Scale: 6" = 1'-0"
 Drawn: G.O.
 Job #: 17-296
 CAD File: 401

4.01

EXTERIOR

ALL GLASS TEMPERED WHERE REQUIRED BY CODE

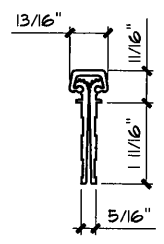


2 TYPICAL DOOR / SIDELITE DETAIL

3 TYPICAL DOUBLE DOOR DETAIL

2 TYPICAL DOOR / SIDELITE DETAIL

INTERIOR



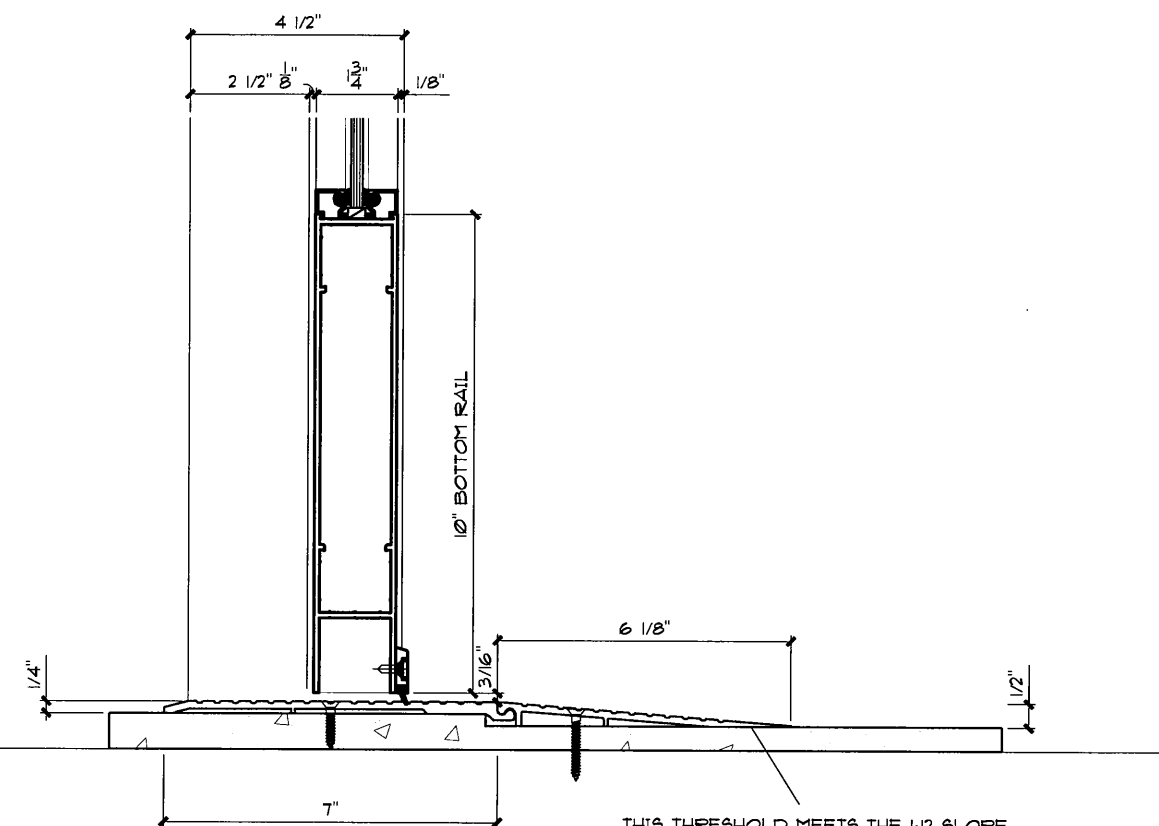
*1- MOHAIR WEATHER STRIPPING WILL REPLACE STANDARD WIPER VINYL. MOHAIR WILL BE INSTALLED INSIDE AND OUT.
 *2- NEW 3/4" DOORSTOPS WILL BE INSTALLED INTO EXISTING DOOR JAMBS.

REVISION	BY

Walters & Wolf
 41450 Roswell Rd
 Fremont, CA 94538
 (510) 480-1115

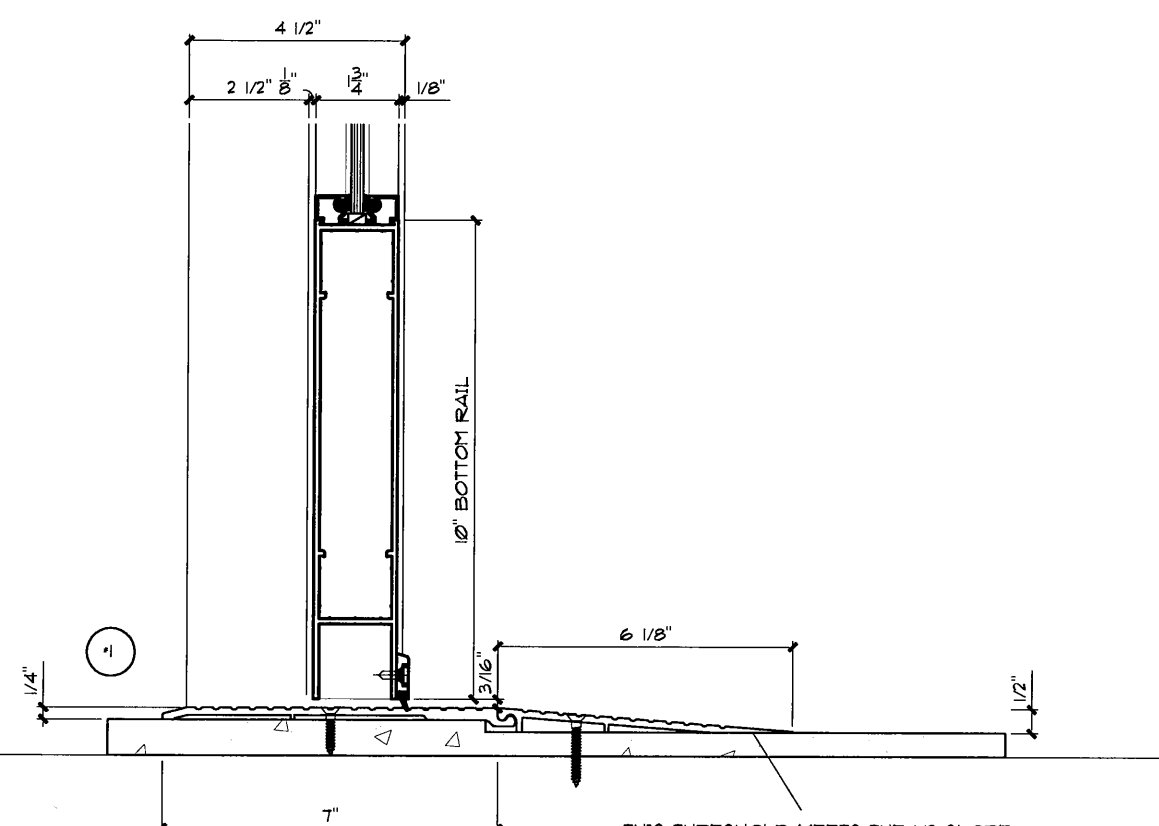
CSM BUILDING 12 L2
 SAN MATEO, CA
 ARCHITECT: NOLL & TAM
 CONTRACTOR: PANKOW

ALL GLASS TEMPERED WHERE REQUIRED BY CODE



THIS THRESHOLD MEETS THE 1:12 SLOPE REQUIREMENTS OF THE AMERICANS WITH DISABILITIES ACT (ADA).

8 EAST ELEVATION
 BOTTOM DOOR RAIL



THIS THRESHOLD MEETS THE 1:12 SLOPE REQUIREMENTS OF THE AMERICANS WITH DISABILITIES ACT (ADA).

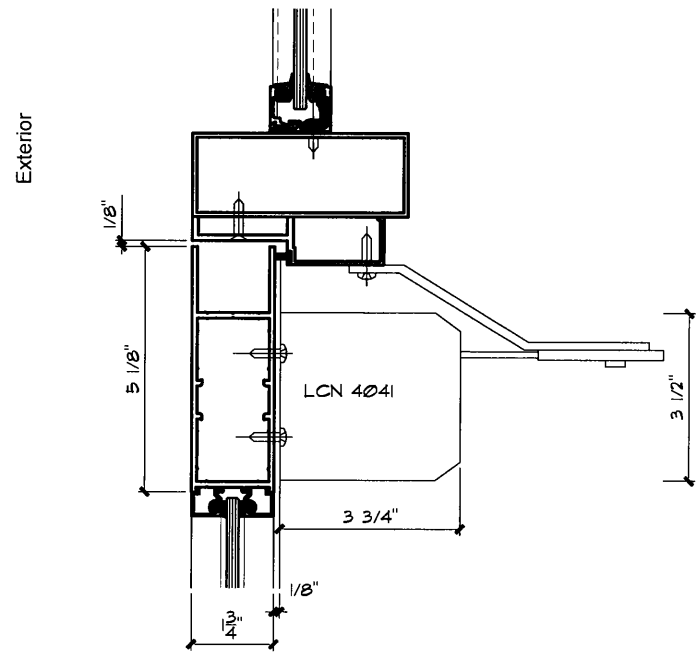
8A WEST ELEVATION
 BOTTOM DOOR RAIL

*1- THRESHOLD INSTALLATION/CONDITION WILL BE THE SAME AS FIRST FLOOR DOORS. PEMKO 1" RAMP THRESHOLD WILL BE INSTALLED.

Date:	08/10
Scale:	6"=1'-0"
Drawn:	G.O.
Job #:	17-296
CAD File:	402

4.02

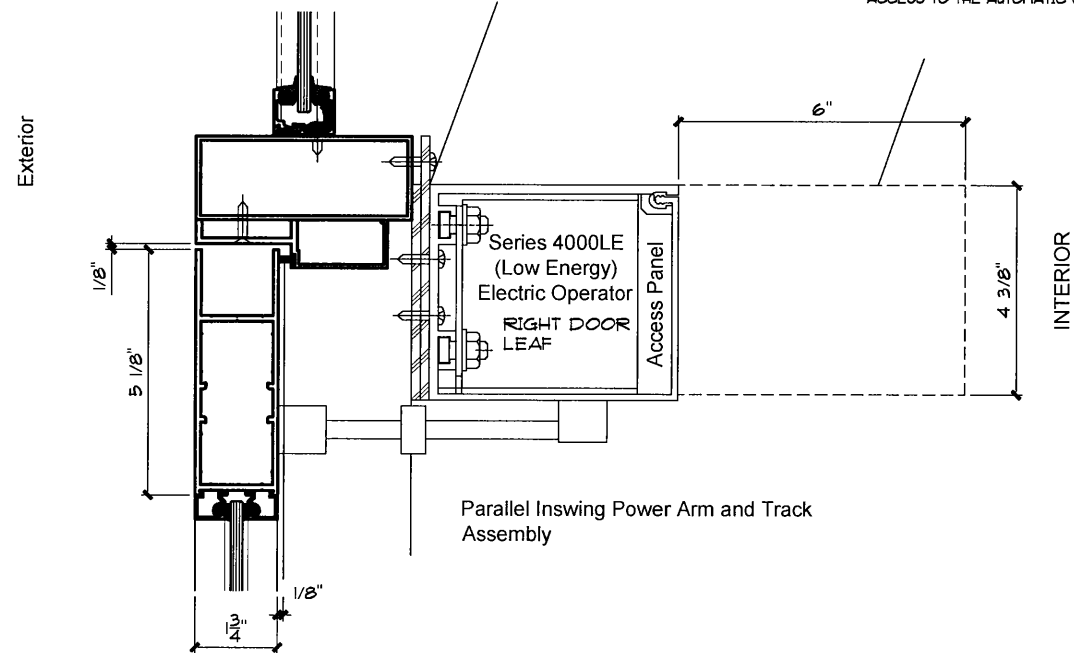
ALL GLASS TEMPERED WHERE REQUIRED BY CODE



4 EAST DOOR
DOOR HEAD DETAIL

AUTOMATIC OPERATOR IS BOLTED TO ALUMINUM PLATE AT HEADER AND VERTICAL JAMBS, 6" ON CENTER (2 FASTENERS AT THE DOOR JAMB AT THE AUTOMATIC OPERATOR SIDE)

6" SPACE BEYOND IS NECESSARY FOR ACCESS TO THE AUTOMATIC OPERATOR



4A WEST DOOR
DOOR HEAD DETAIL

- ONLY ONE LCN 4041 NEEDED FOR LEFT DOOR
- DOOR LEAF WITH AUTO-OPERATOR DOES NOT NEED OVERHEAD CLOSER

REVISION	BY

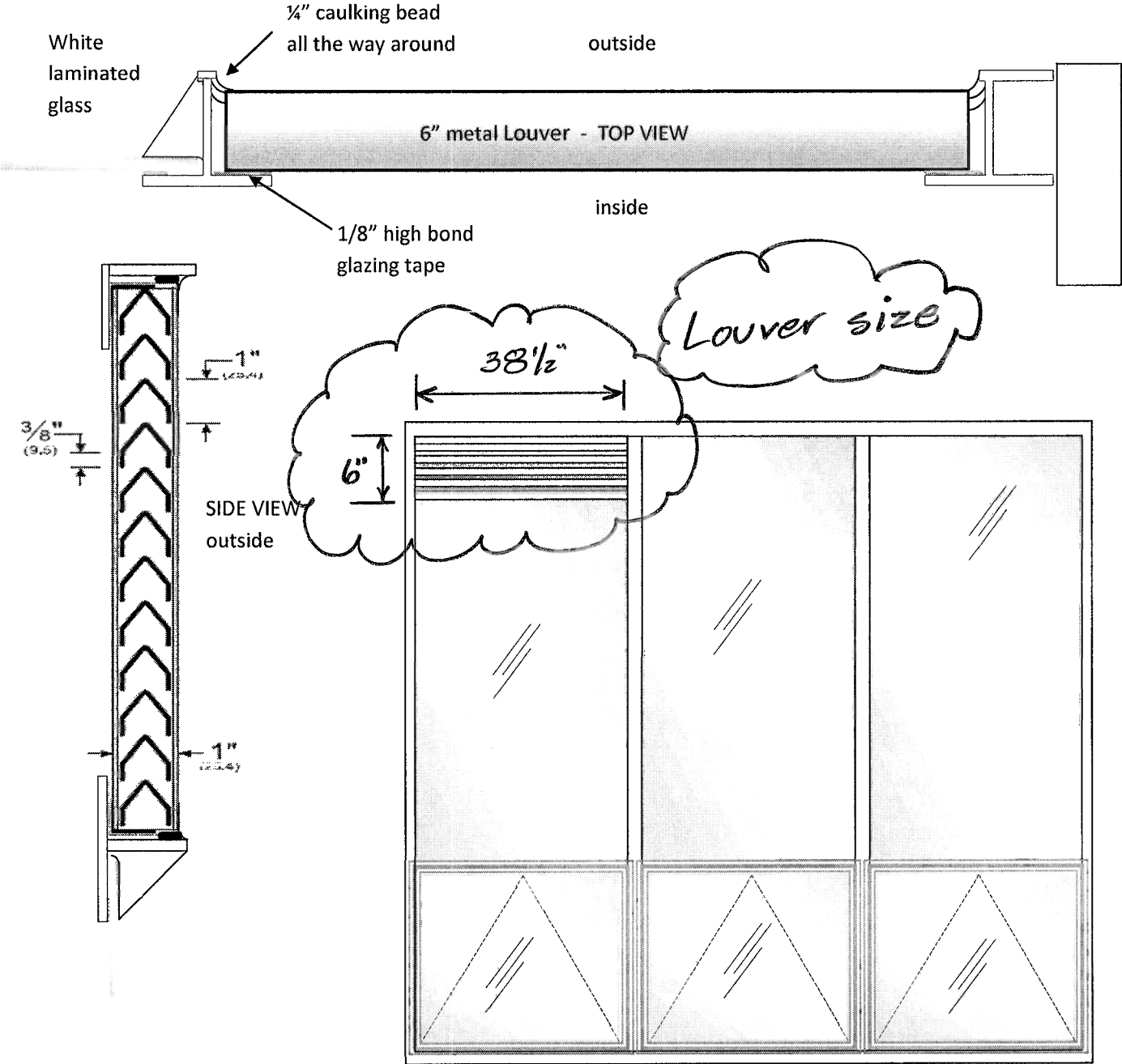
Walters & Wolf
 11456 Foothill Rd
 Foothill, CA 94603
 (510) 480-1116

CSM BUILDING 12 L2
SAN MATEO, CA
ARCHITECT: NOLL & TAM
CONTRACTOR: PANKOW

X
 Date: 08/4/10
 Scale: 6"=1'-0"
 Drawn: G.O.
 Job #: 17-296
 CAD File: 403

4.03

COLLEGE OF SAN MATEO - Bldg.#12, - 1st floor





Walters & Wolf

CSM BUILDING. 15 & 17

SAN MATEO, CA

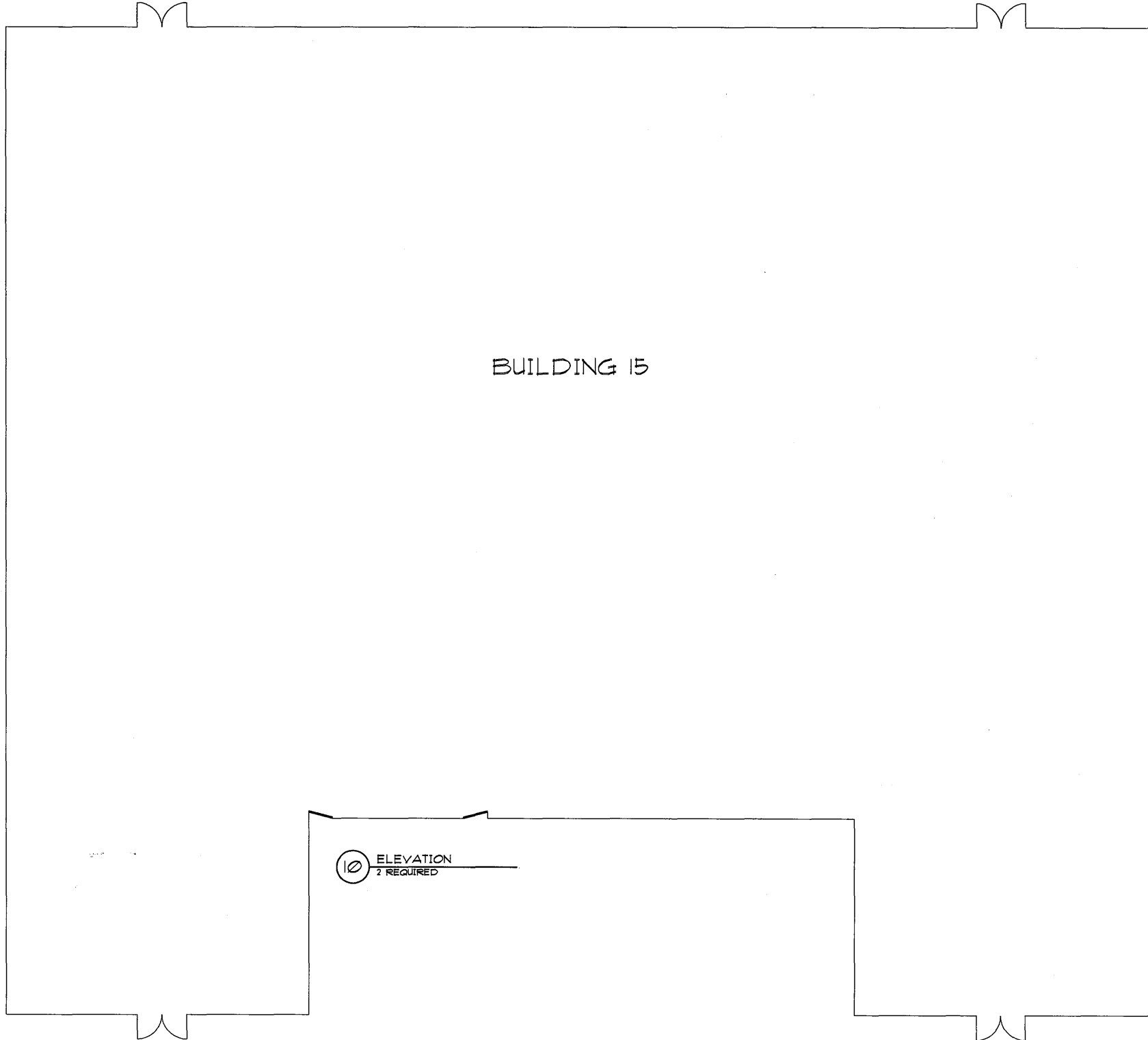
ARCHITECT: NOLL & TAM

CONTRACTOR: PANKOW

-	FOR APPROVAL	09/30/09	GO
△	DESCRIPTION	DATE	BY
Job #: 17-296		CAD File: CSM-000	

4 ELEVATION
1 REQUIRED

3 ELEVATION
1 REQUIRED

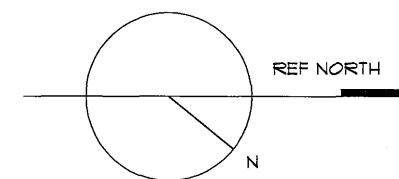


BUILDING 15

10 ELEVATION
7 REQUIRED

2 ELEVATION
1 REQUIRED

1 ELEVATION
1 REQUIRED



REVISION	BY

Walters & Wolf
 41450 Borwick Rd
 Fremont, CA 94538
 (510) 490-1115

CSM BUILDING 15, & 17
 SAN MATEO, CA
 ARCHITECT: NOLL & TAM
 CONTRACTOR: PANKOW

	X
Date:	9/30/03
Scale:	1/8"=1'-0"
Drawn:	X
Job #:	17-236
CAD File:	100

100

6 ELEVATION
1 REQUIRED

8 ELEVATION
1 REQUIRED

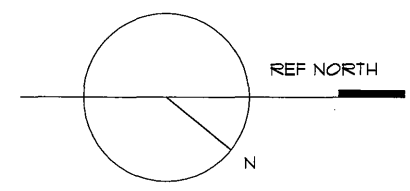
10 ELEVATION
2 REQUIRED

BUILDING 17

9 ELEVATION
1 REQUIRED

5 ELEVATION
1 REQUIRED

7 ELEVATION
1 REQUIRED



REVISION	BY

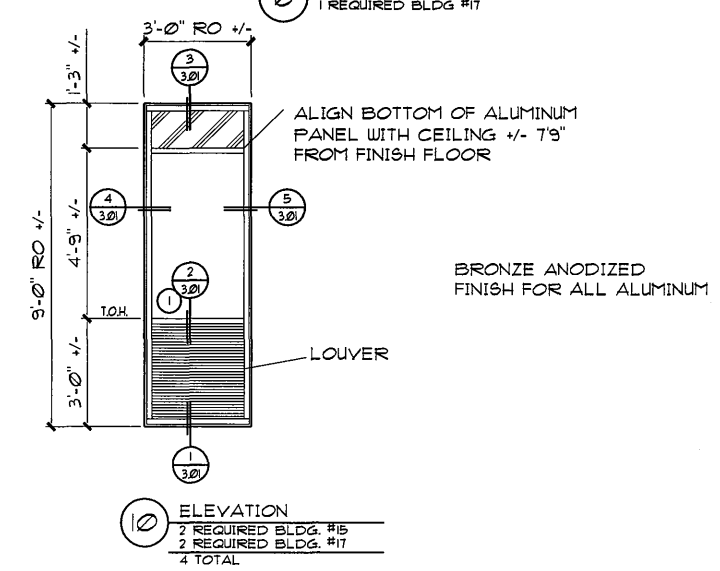
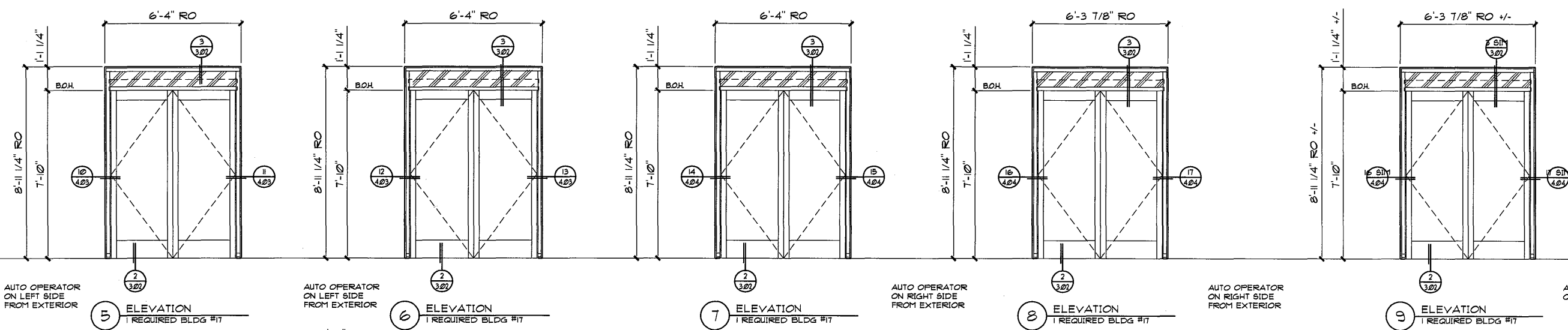
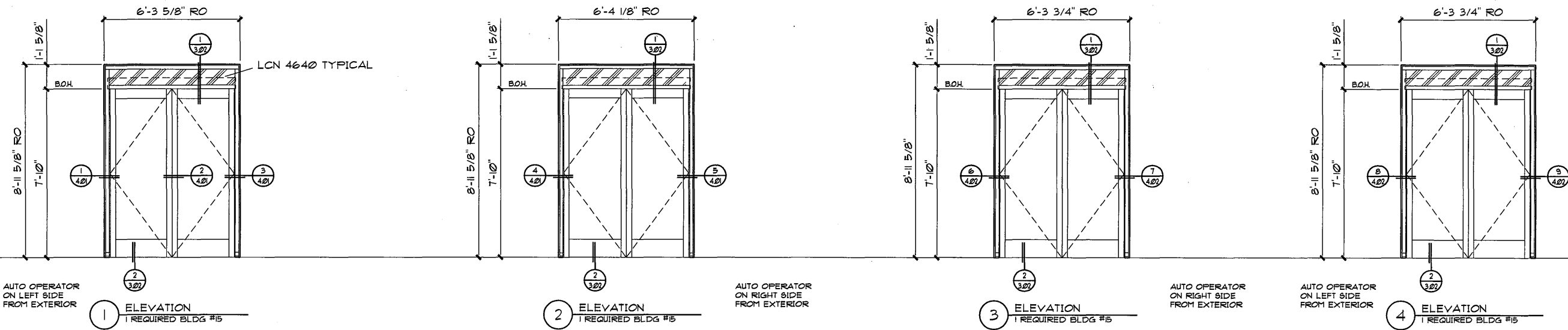
Walters & Wolf
 41450 Rosecoll Rd.
 Fremont, CA 94538
 (510) 490-1115

CSM BUILDING 15, & 17
 SAN MATEO, CA
 ARCHITECT: NOLL & TAM
 CONTRACTOR: PANKOW

	X
Date:	9/30/03
Scale:	1/8"=1'-0"
Drawn:	X
Job #:	17-296
CAD File:	101

101

FIELD VERIFY ALL DIMENSIONS



- | | | | |
|-------|----------------------|--|---------|
| 2 EA | POWER TRANSFER | EPT-10 | 313 VON |
| 2 EA | CONTINUOUS HINGE | 112HD EPT | 313 IVE |
| 1 EA | PANIC HARDWARE | SD-EL9947NL X 990NL | 313 VON |
| 1 EA | PANIC HARDWARE | DS-EL9947DT X 990DT | 313 VON |
| 1 EA | IC RIM CYLINDER | 20-057T X 1CX (CONST CORE) | 613 SCH |
| 1 EA | PERMANENT CORE | 20-740 (PRIMUS) | 606 SCH |
| 2 EA | MORTISE CYLINDER | 20-771 (FOR SD DOGGING) | 613 SCH |
| 1 EA | SURFACE CLOSER | 4041-79LR X 18G MTG PLATE (TOP JAMB MOUNTED) | 695 LCN |
| 1 EA | AUTO-EQUALIZER | 4640 FLUSH CEILING MOUNT (PUSH SIDE) | 695 LCN |
| 1 EA | OVERHEAD STOP | 1006 | 613 GLY |
| 1 SET | WEATHER SEAL | SUPPLY WITH DOOR AND FRAME ASSEMBLY | |
| 2 EA | DOOR SWEEP | SUPPLY WITH DOOR AND FRAME ASSEMBLY | |
| 1 EA | THRESHOLD | PER DETAIL | |
| 1 EA | POWER SUPPLY | F5873 X 2 X AO | DUR |
| 2 EA | ACTUATOR, WALL MOUNT | 8310-856 | 630 LCN |
| 2 EA | ESCUTCHEON | 8310-874 | 630 LCN |

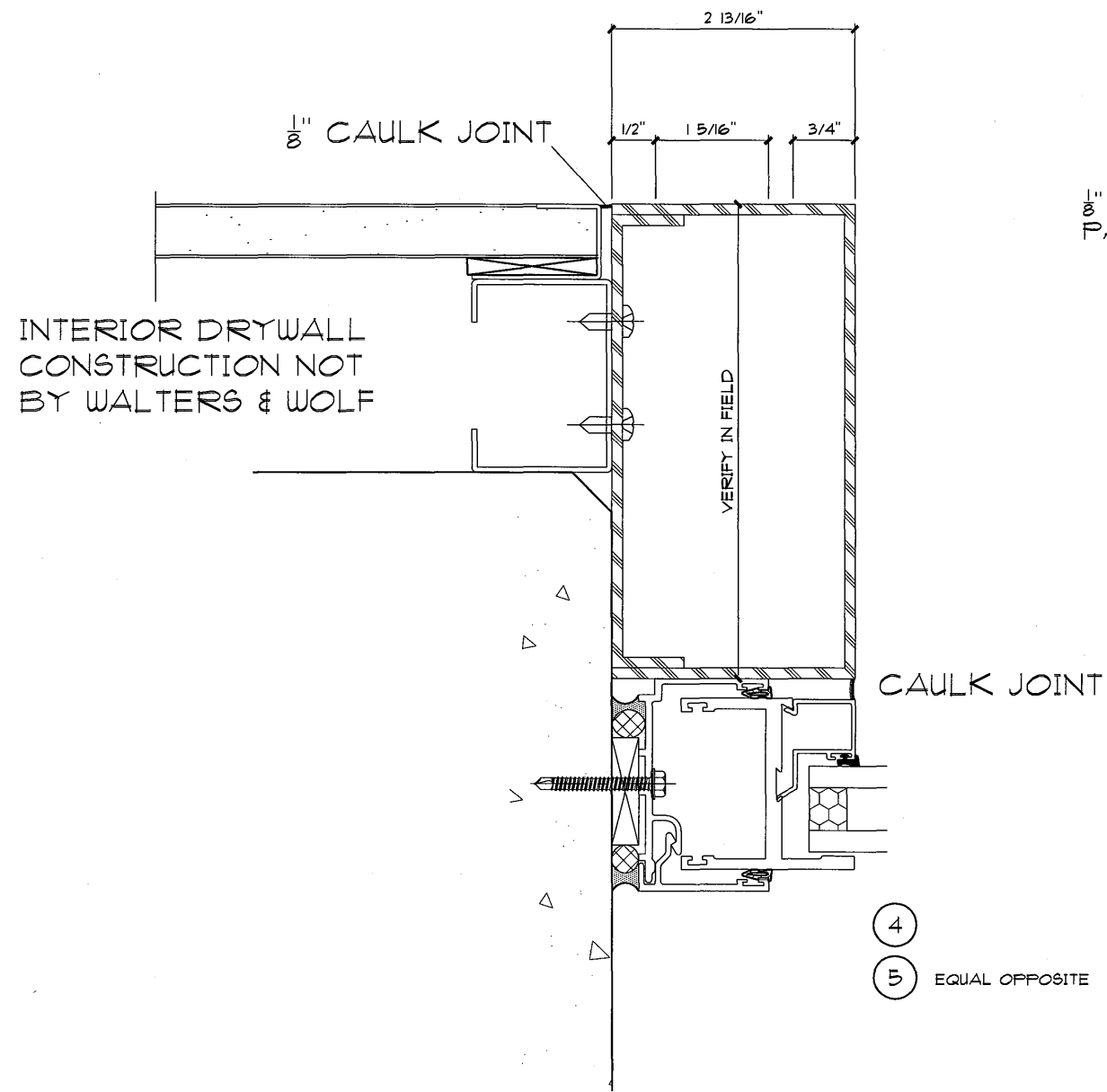
CSM BUILDING 15, & 17
SAN MATEO, CA
ARCHITECT: NOLL & TAM
CONTRACTOR: PANKOW

REVISION	BY

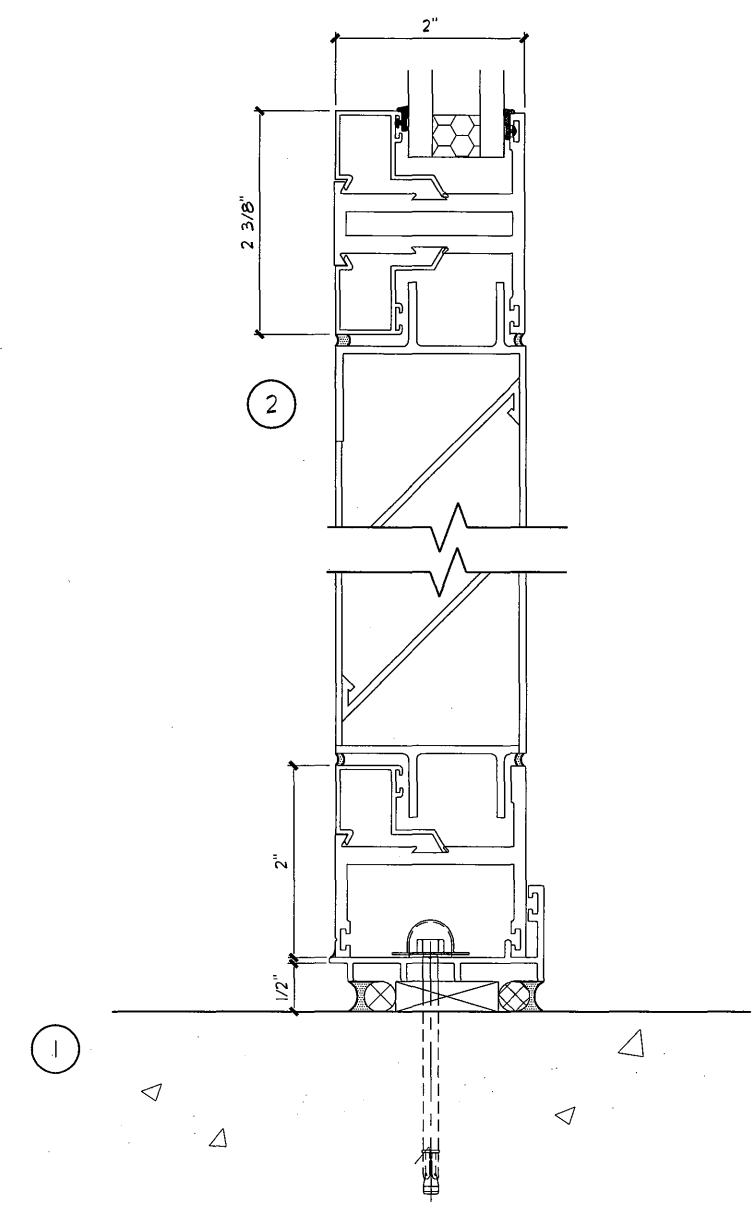
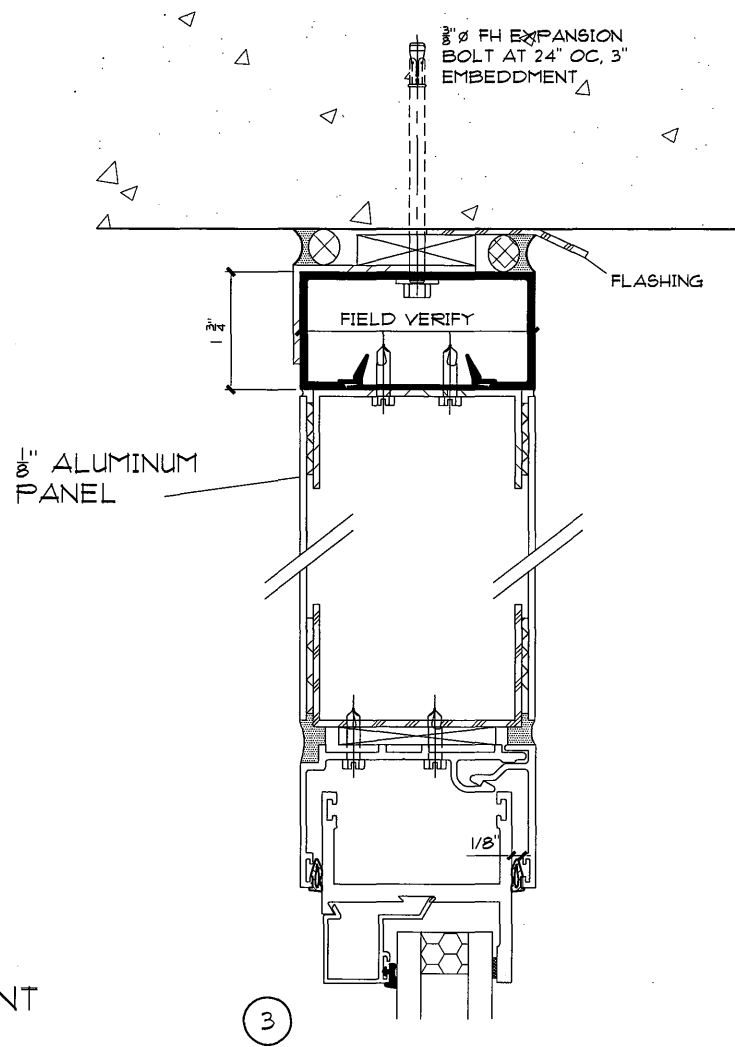
Walters & Wolf
 41450 Bercel Rd
 Fremont, CA 94538
 (510) 480-1115

Date:	9/30/09
Scale:	3/8" = 1'-0"
Drawn:	G.O.
Job #:	17-296
CAD File:	201

BRAKESHAPE EXTENDED
COVER TO MATCH
STOREFRONT MATERIAL



- ④
- ⑤ EQUAL OPPOSITE

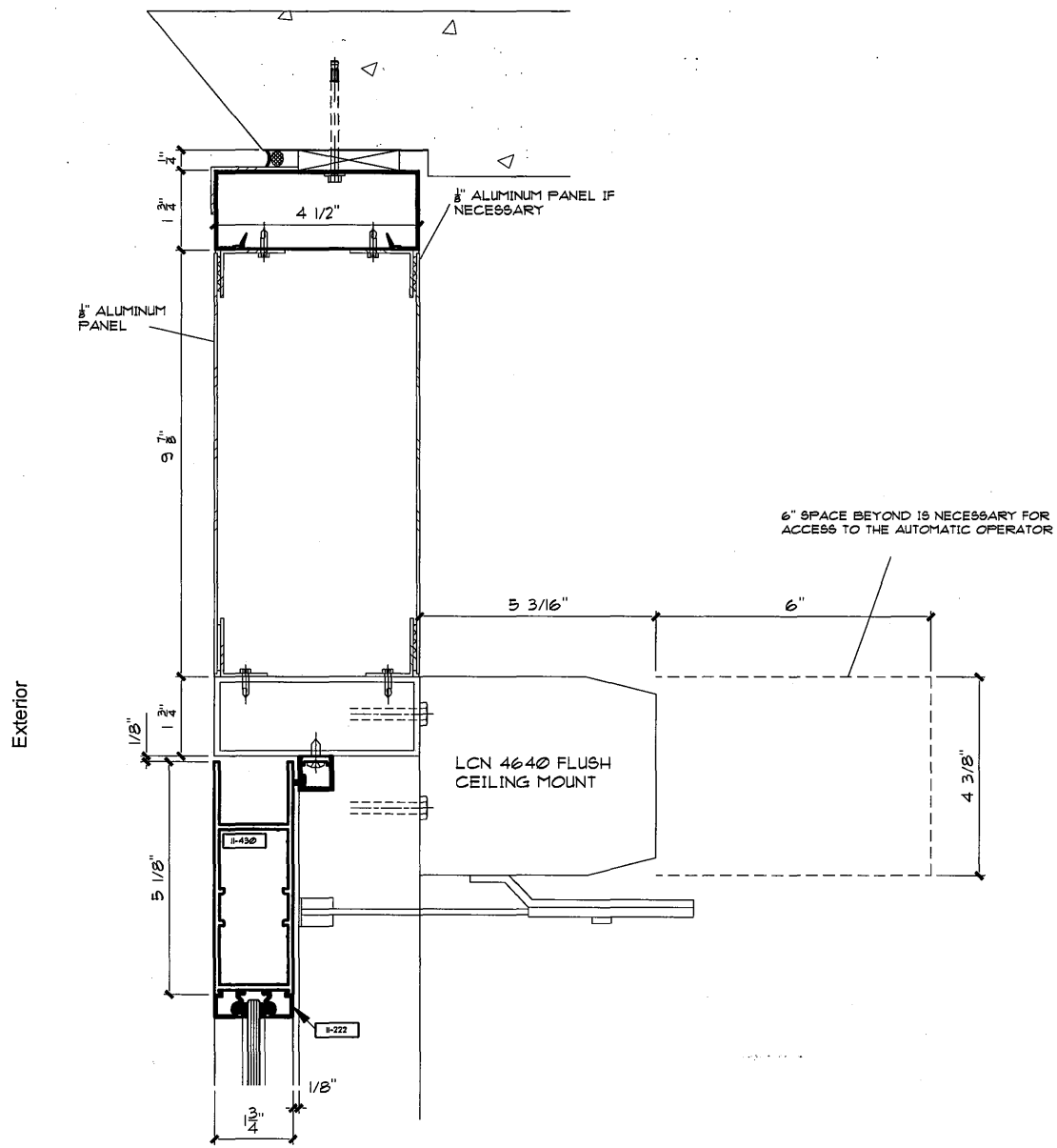


REVISION	BY

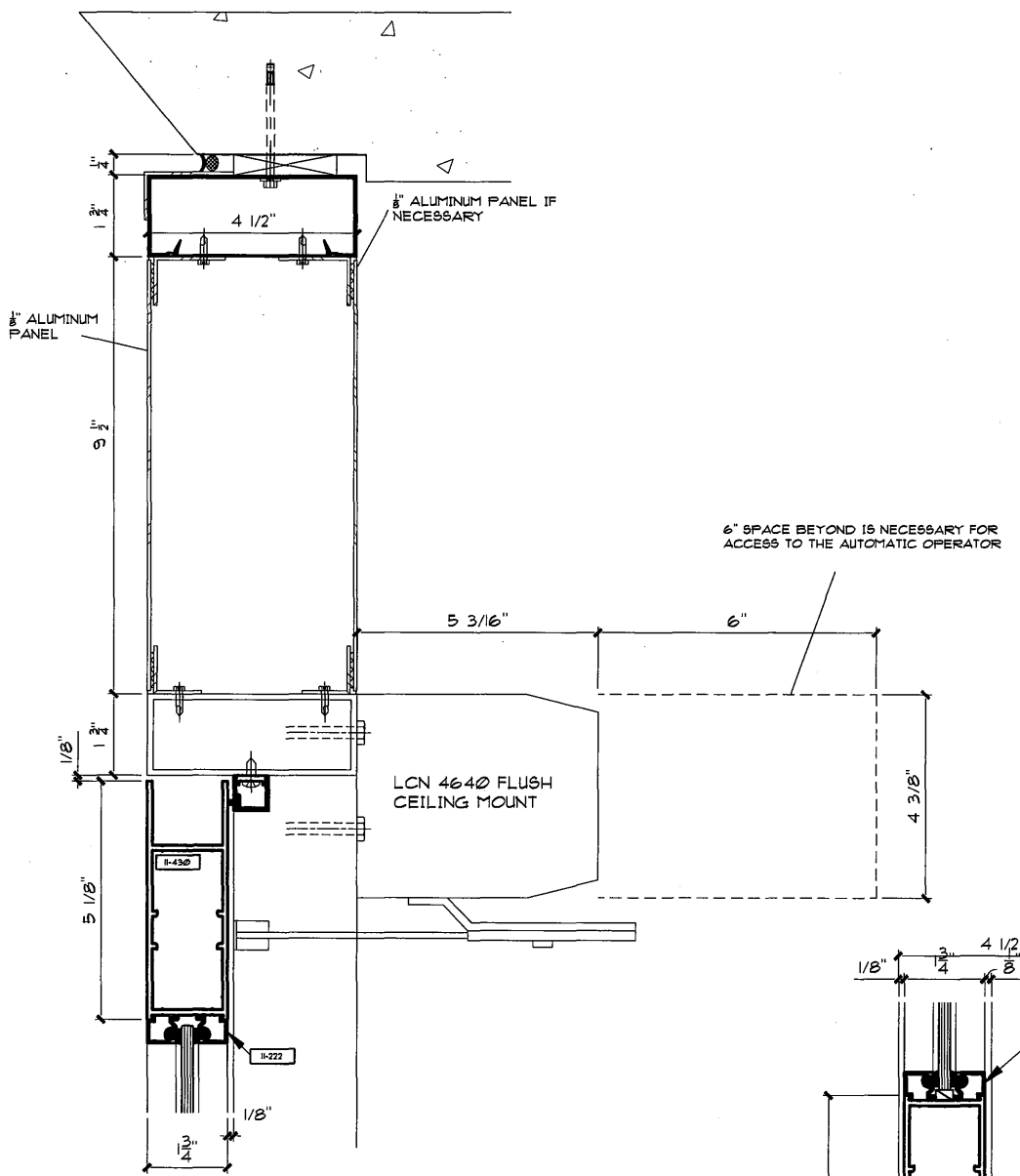
Walters & Wolf
41450 Boscail Rd
Fremont, CA 94538
(510) 490-1115

**CSM BUILDING 15, & 17
SAN MATEO, CA
ARCHITECT: NOLL & TAM
CONTRACTOR: PANKOW**

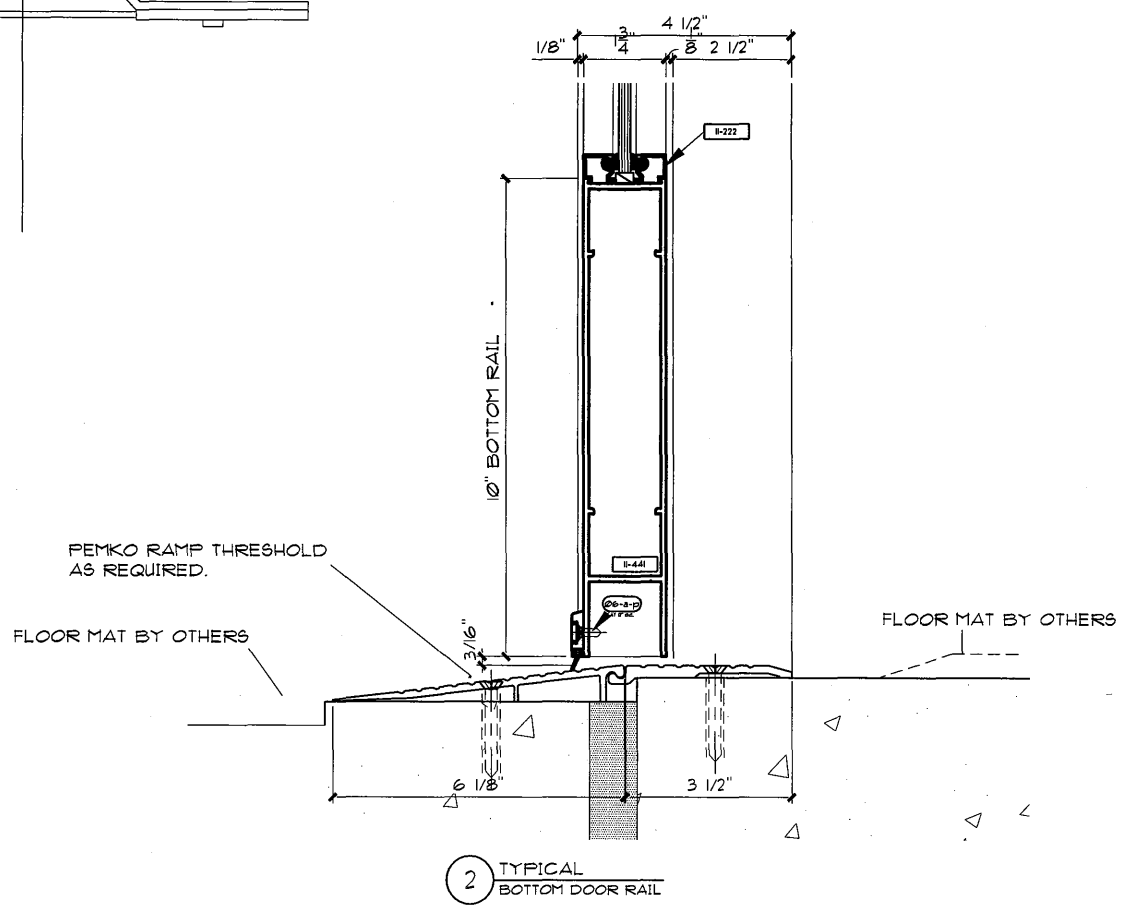
Date: 9/30/03
Scale: FULL
Drawn: X
Job #: 17-236
CAD File: 301



1 BLDG #15 TYPICAL DOOR HEAD



3 BLDG #17 TYPICAL DOOR HEAD



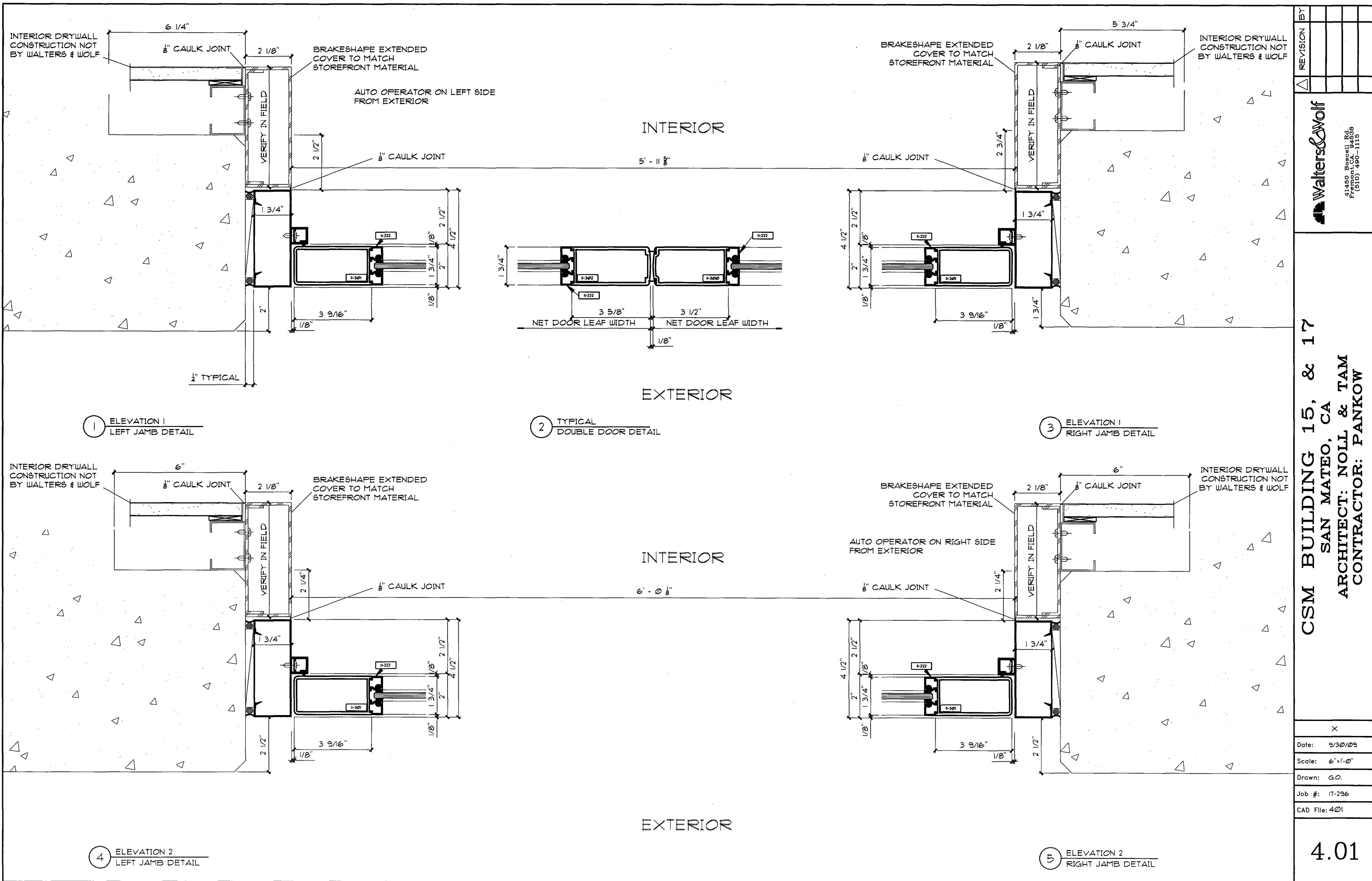
2 TYPICAL BOTTOM DOOR RAIL

REVISION	BY

Walters & Wolf
 41450 Boswell Rd.
 Fremont, CA. 94538
 (510) 490-1115

CSM BUILDING 15, & 17
SAN MATEO, CA
ARCHITECT: NOLL & TAM
CONTRACTOR: PANKOW

	X
Date:	9/30/03
Scale:	6"=1'-0"
Drawn:	G.O.
Job #:	17-296
CAD File:	302

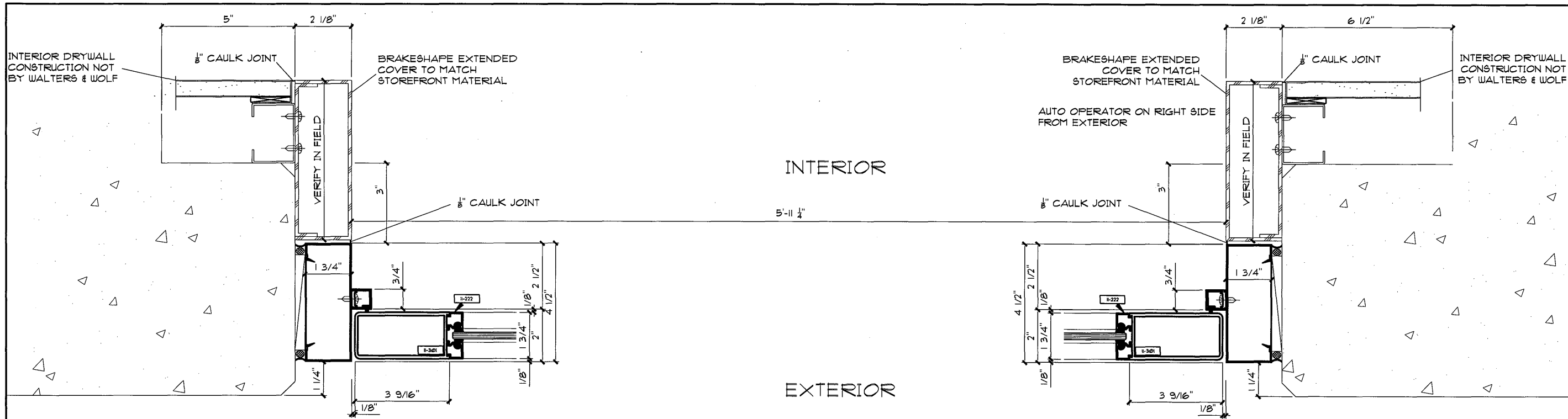


REVISION	BY

Walters & Wolf
 41450 Roswell Rd
 Fremont, CA 94538
 (510) 490-1115

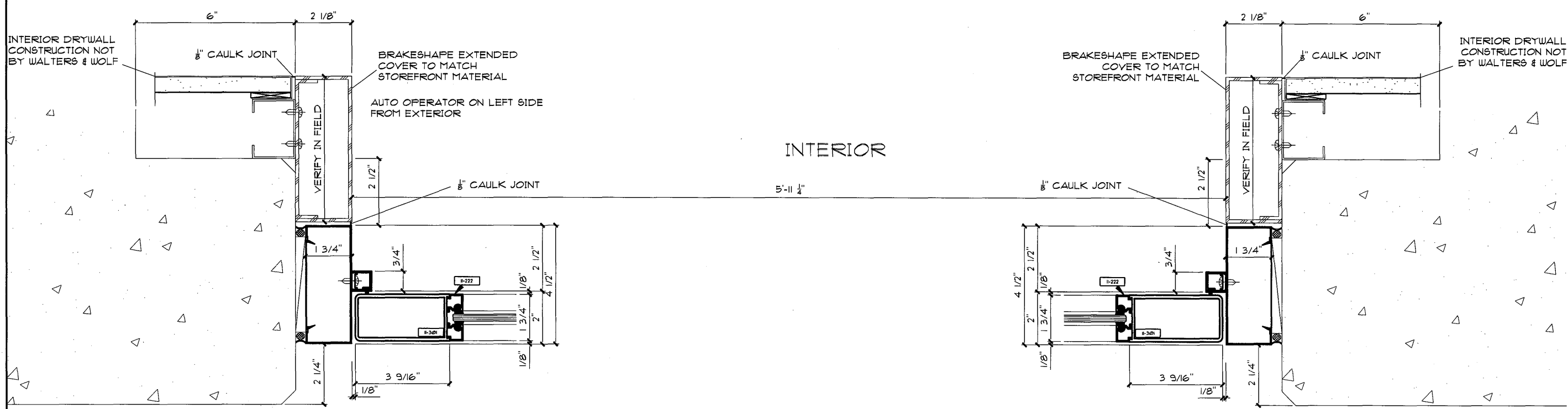
**CSM BUILDING 15, & 17
 SAN MATEO, CA
 ARCHITECT: NOLL & TAM
 CONTRACTOR: PANKOW**

	X
Date:	9/30/09
Scale:	6"=1'-0"
Drawn:	G.O.
Job #:	17-296
CAD File:	401



6 BLDG #15 ELEVATION 3
LEFT JAMB DETAIL

7 BLDG #15 ELEVATION 3
RIGHT JAMB DETAIL



8 BLDG #15 ELEVATION 4
LEFT JAMB DETAIL

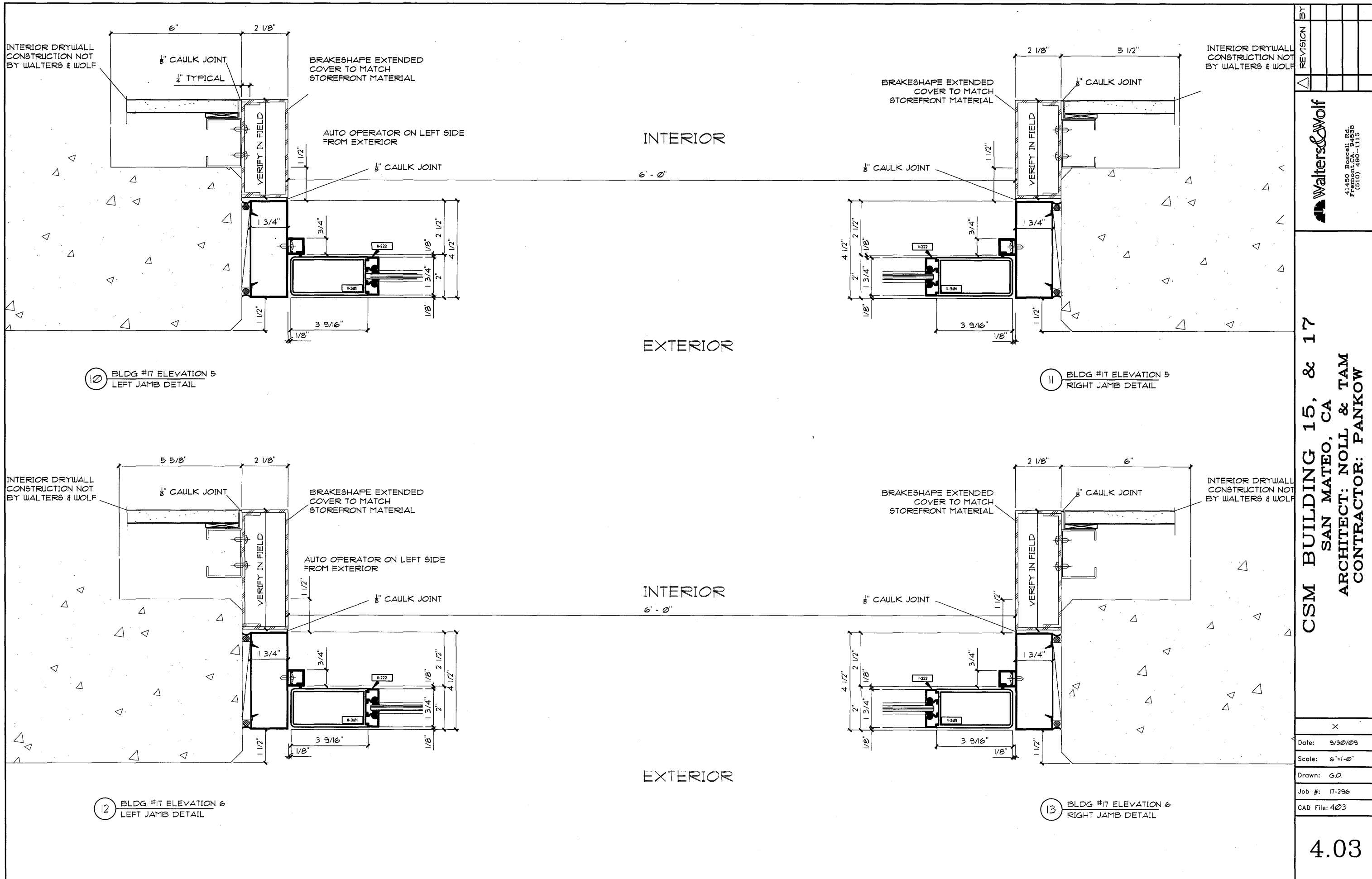
9 BLDG #15 ELEVATION 4
RIGHT JAMB DETAIL

REVISION	BY

Walters & Wolf
 41450 Boscail Rd.
 Fremont, CA 94536
 (510) 490-1115

**CSM BUILDING 15, & 17
 SAN MATEO, CA
 ARCHITECT: NOLL & TAM
 CONTRACTOR: PANKOW**

X
Date: 9/30/03
Scale: 6"=1'-0"
Drawn: G.O.
Job #: 17-296
CAD File: 402



10 BLDG #17 ELEVATION 5
LEFT JAMB DETAIL

11 BLDG #17 ELEVATION 5
RIGHT JAMB DETAIL

12 BLDG #17 ELEVATION 6
LEFT JAMB DETAIL

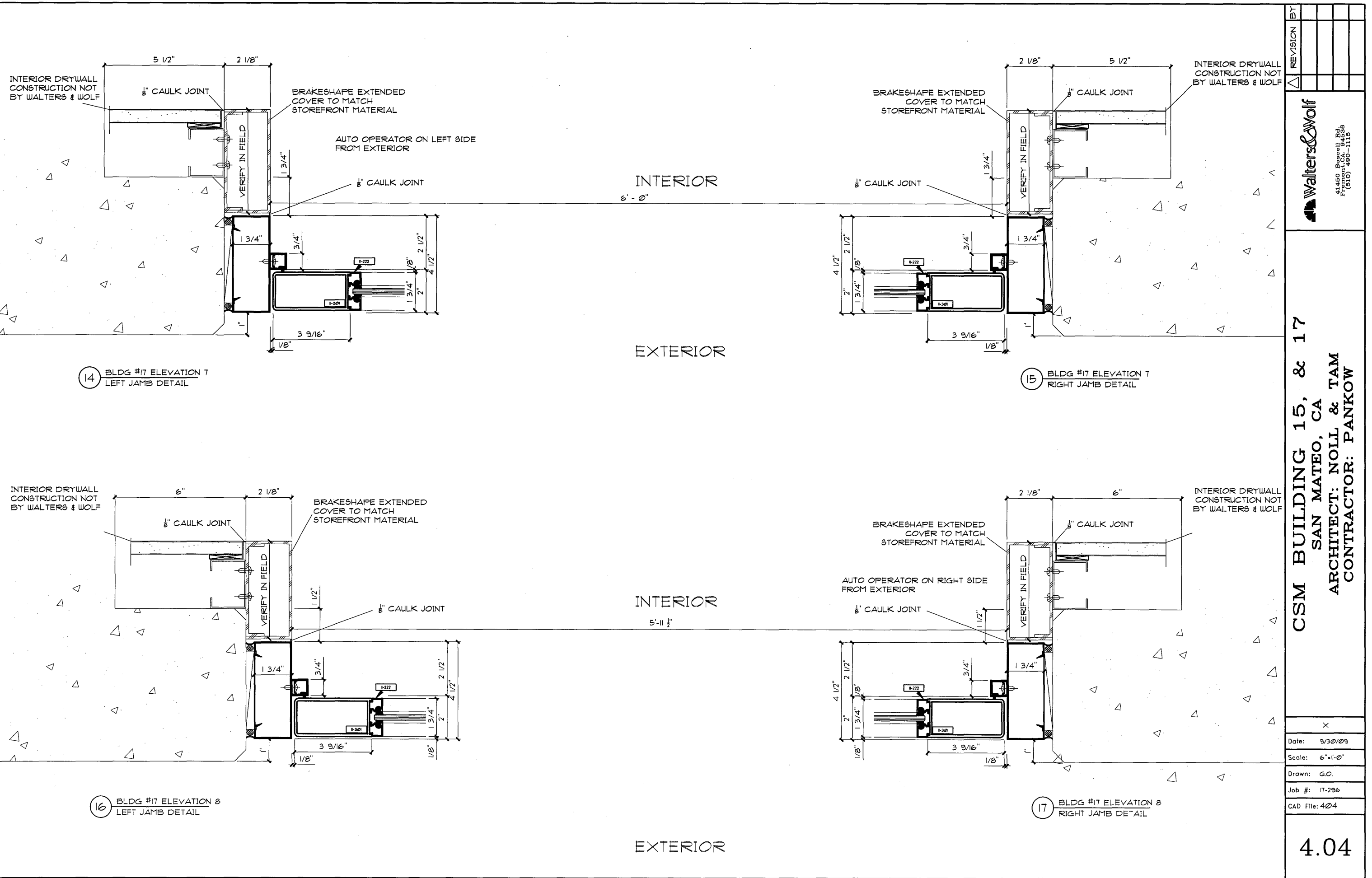
13 BLDG #17 ELEVATION 6
RIGHT JAMB DETAIL

REVISION	BY

Walters & Wolf
 41450 Roswell Rd
 Fremont, CA 94538
 (510) 490-1115

CSM BUILDING 15, & 17
 SAN MATEO, CA
 ARCHITECT: NOLL & TAM
 CONTRACTOR: PANKOW

Date:	9/30/09
Scale:	6"-1'-0"
Drawn:	G.O.
Job #:	17-296
CAD File:	403



14 BLDG #17 ELEVATION 7
LEFT JAMB DETAIL

15 BLDG #17 ELEVATION 7
RIGHT JAMB DETAIL

16 BLDG #17 ELEVATION 8
LEFT JAMB DETAIL

17 BLDG #17 ELEVATION 8
RIGHT JAMB DETAIL

REVISION	BY

Walters & Wolf
 41450 Boswell Rd.
 Fremont, CA 94536
 (510) 490-1115

CSM BUILDING 15, & 17
SAN MATEO, CA
ARCHITECT: NOLL & TAM
CONTRACTOR: PANKOW

	X
Date:	9/30/09
Scale:	6"=1'-0"
Drawn:	G.O.
Job #:	17-296
CAD File:	404