

SECOND FLOOR

FIRST FLOOR

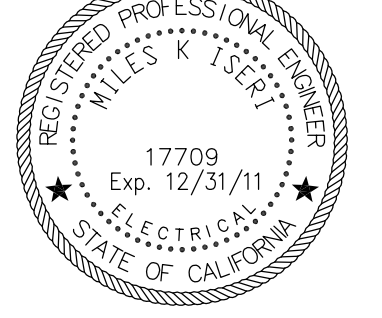
1 SECURITY SYSTEM RISER DIAGRAM
SCALE: NOT TO SCALE

729 Heinz Avenue
Berkeley, CA 94710
510.649.8295
fax 510.649.3008

Prepared By:
NETVERSANT
Inspiring Technology Solutions

Prepared For:
CUPERTINO ELECTRIC
1740 CESAR CHAVEZ STREET
SAN FRANCISCO, CA 94124
(415)970-3400
C-10 LIC.NO. 174637

IDENTIFICATION STAMP
DIVISION OF THE STATE ARCHITECT
APPLICATION NUMBER 01-110537
AC _____ FL _____ SS _____
DATE _____



COLLEGE OF SAN MATEO
BUILDING 12
MODERNIZATION
SMCCCD
3401 CSM Drive
San Mateo, CA 94402
College of San Mateo
1700 W. Hillsdale Blvd.
San Mateo, CA 94402

SHEET TITLE
SECURITY SYSTEM RISER DIAGRAM

REVISIONS

NO.	DATE	DESCRIPTION
	7/13/10	SUBMIT FOR SHOP DWG's
	11/7/11	SUBMIT FOR AS-BUILTS

AS-BUILT DRAWINGS
PROJECT START DATE: 8/27/09
DRAWN: GIERKE/LAYMAN
CHECKED: MAUST
SCALE: AS NOTED
N&T JOB NO.: 2901/60971070F116537

SHEET NUMBER
SEC.1.00

SECURITY NOTE:

S-1 ACTUAL RISER LOCATION MAY VARY. COORDINATE WITH DIVISION 16 AND S.M.C.C.D.

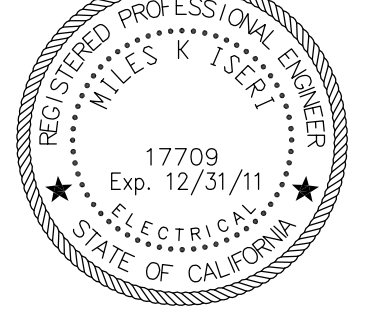
729 Heinz Avenue
 Berkeley, CA 94710
 510.649.8295
 fax 510.649.3008

Prepared By:
NETVERSANT
 Inspiring Technology Solutions

Prepared For:

CUPERTINO ELECTRIC
 1740 CESAR CHAVEZ STREET
 SAN FRANCISCO, CA 94124
 (415)970-3400
 C-10 LIC.NO. 174637

IDENTIFICATION STAMP
 DIVISION OF THE STATE ARCHITECT
 APPLICATION NUMBER 01-110537
 AC _____ FL _____ SS _____
 DATE _____



COLLEGE OF SAN MATEO
 BUILDING 12
 MODERNIZATION
 SMCCCD
 3401 CSM Drive
 San Mateo, CA 94402
 College of San Mateo
 1700 W. Hillsdale Blvd.
 San Mateo, CA 94402

SHEET TITLE
**SECURITY SYSTEM
 FIRST FLOOR PLAN**

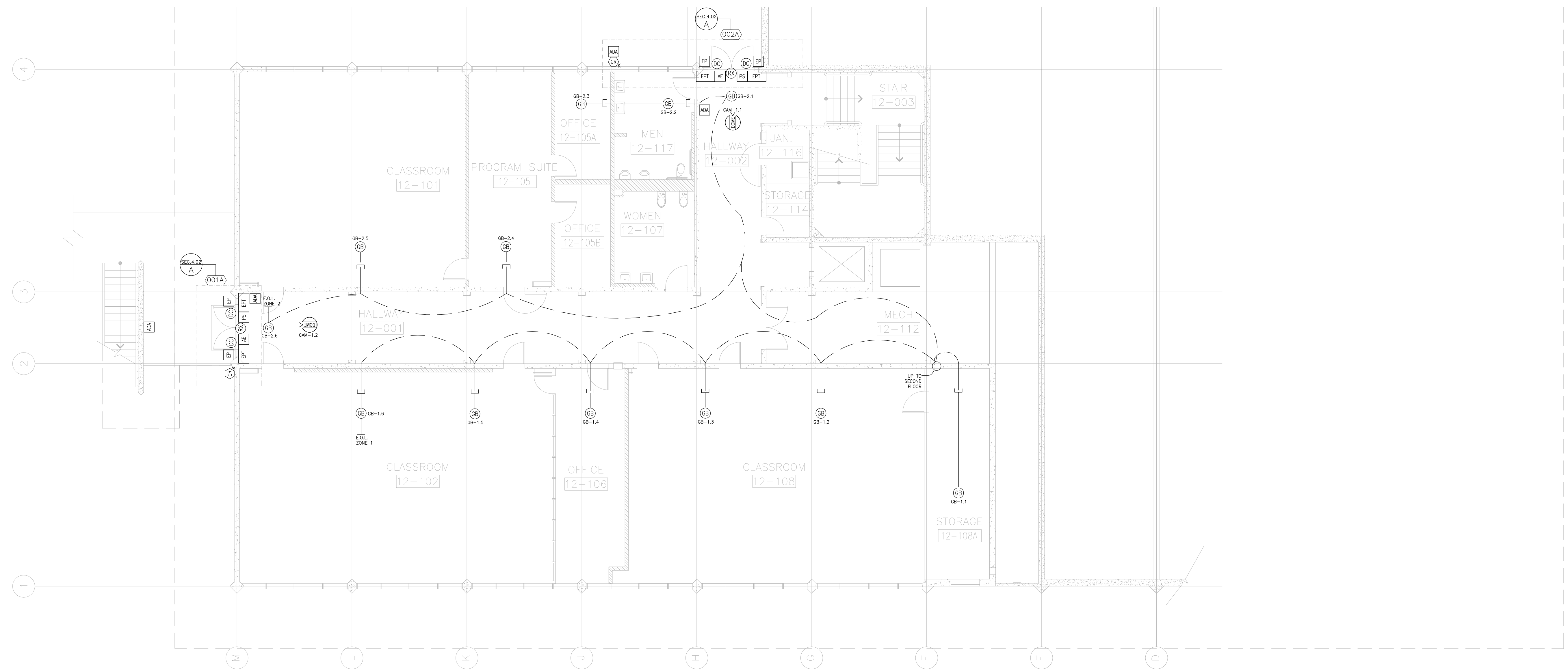
REVISIONS

NO.	DATE	DESCRIPTION
7/13/10		SUBMIT FOR SHOP DWG's
11/7/11		SUBMIT FOR AS-BUILTS

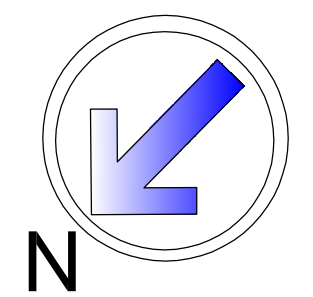
AS-BUILT DRAWINGS
 PROJECT START DATE: 8/27/09
 DRAWN: GIERKE/LAYMAN
 CHECKED: MAUST
 SCALE: AS NOTED
 N&T JOB NO.: 2901/60971070F116537

SHEET NUMBER

SEC.2.00

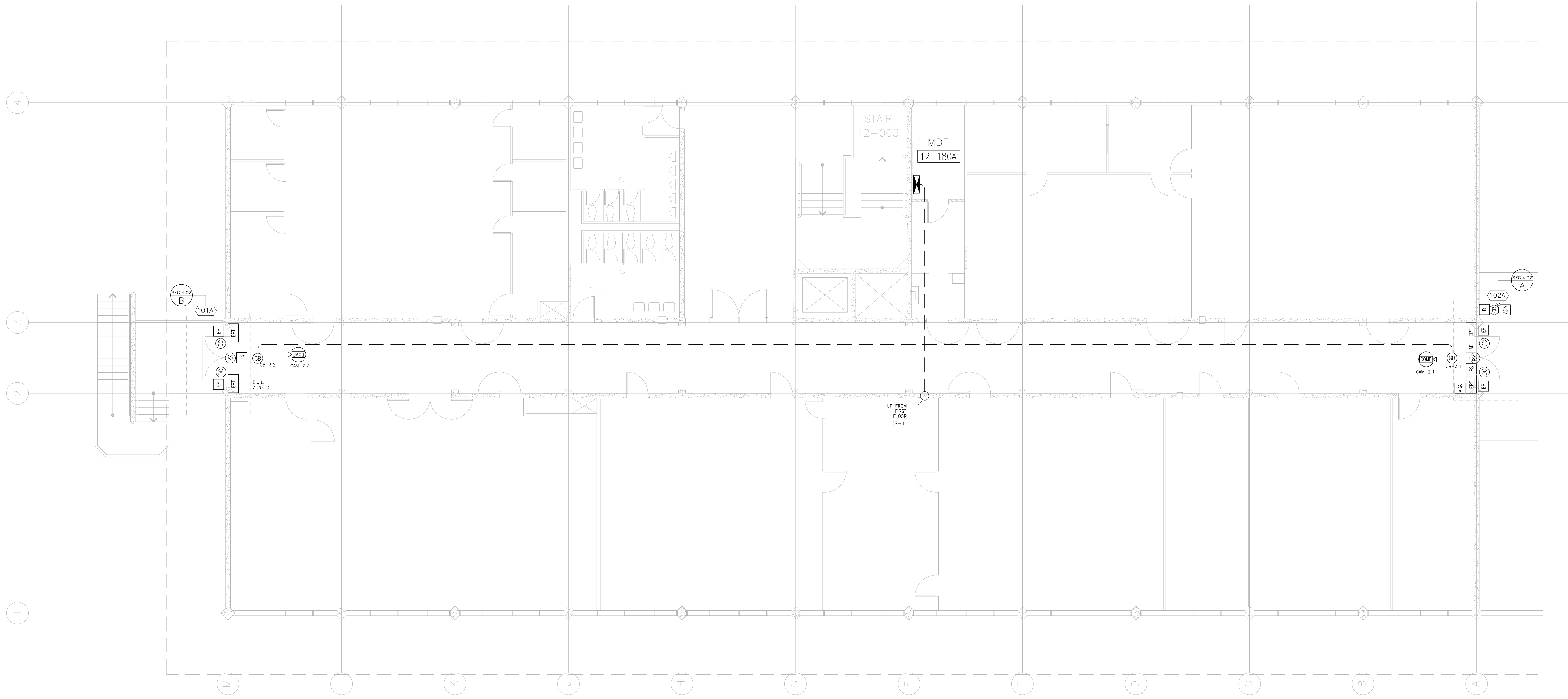


1 SECURITY SYSTEM, FIRST FLOOR PLAN
 SCALE: 1/8"=1'-0"



SECURITY NOTE:

S-1 ACTUAL RISER LOCATION MAY VARY.
COORDINATE WITH DIVISION 16 AND S.M.C.C.D.



729 Heinz Avenue
Berkeley, CA 94710
510.649.8295
fax 510.649.3008

Prepared By:
NETVERSANT
Inspiring Technology Solutions

Prepared For:
CUPERTINO ELECTRIC
1740 CESAR CHAVEZ STREET
SAN FRANCISCO, CA 94124
(415)970-3400
C-10 LIC.NO. 174637

IDENTIFICATION STAMP
DIVISION OF THE STATE ARCHITECT

APPLICATION NUMBER 01-110537
AC _____ FLS _____ SS _____
DATE _____



COLLEGE OF SAN MATEO
BUILDING 12
MODERNIZATION

SMCCCD
3401 CSM Drive
San Mateo, CA 94402
College of San Mateo
1700 W. Hillsdale Blvd.
San Mateo, CA 94402

SHEET TITLE
**SECURITY SYSTEM
SECOND FLOOR PLAN**

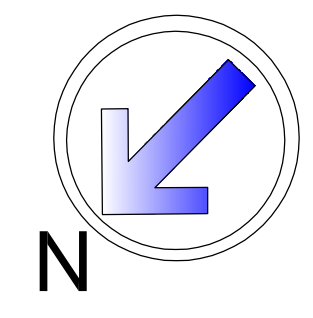
REVISIONS		
NO.	DATE	DESCRIPTION
	7/13/10	SUBMIT FOR SHOP DWG's
	11/7/11	SUBMIT FOR AS-BUILTS

AS-BUILT DRAWINGS

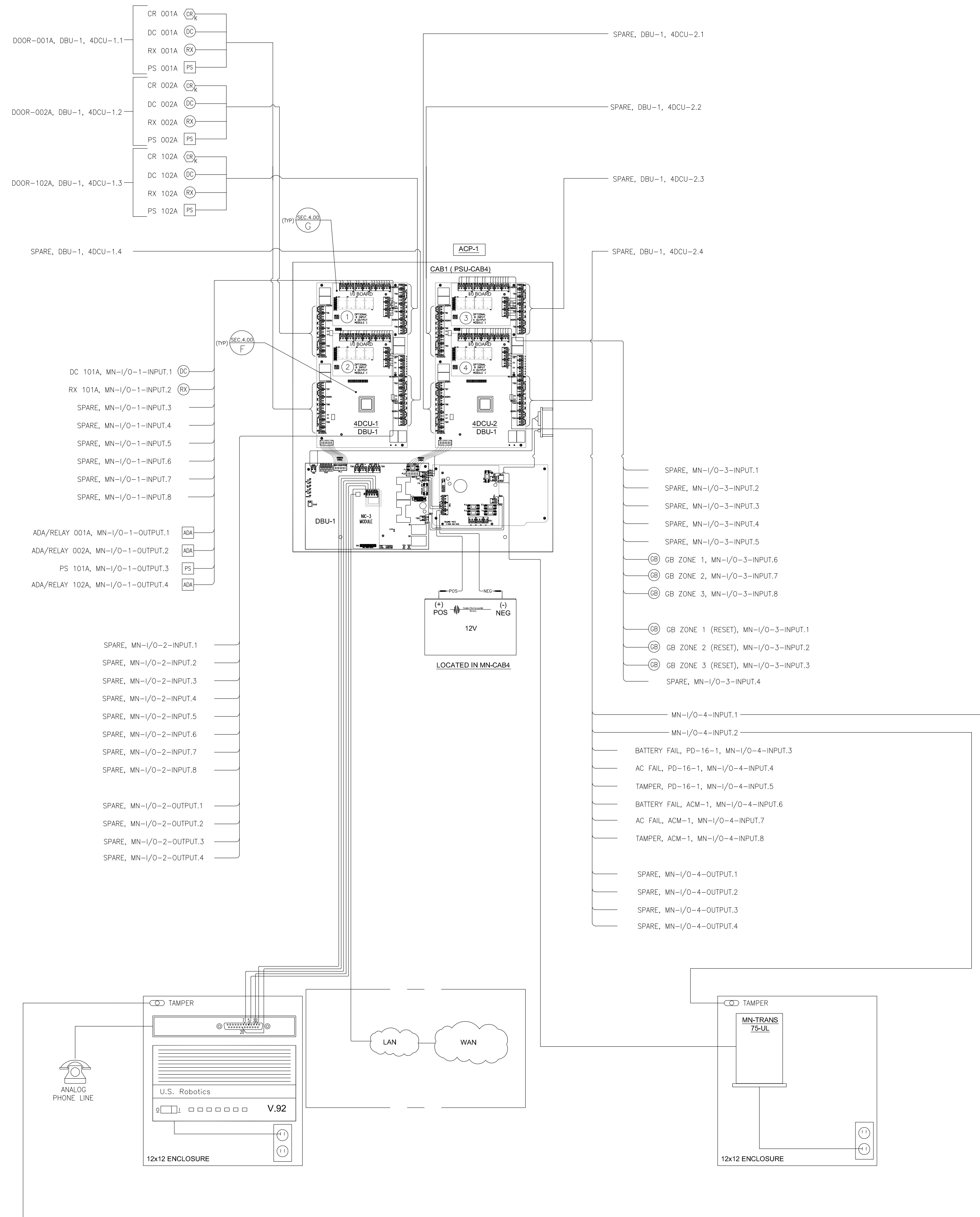
PROJECT START DATE: 8/27/09
DRAWN: GIERKE/LAYMAN
CHECKED: MAUST
SCALE: AS NOTED
N&T JOB NO.: 2901/60971070F116537

SHEET NUMBER

SEC.2.01



1 SECURITY SYSTEM, SECOND FLOOR PLAN
SCALE: 1/8"=1'-0"

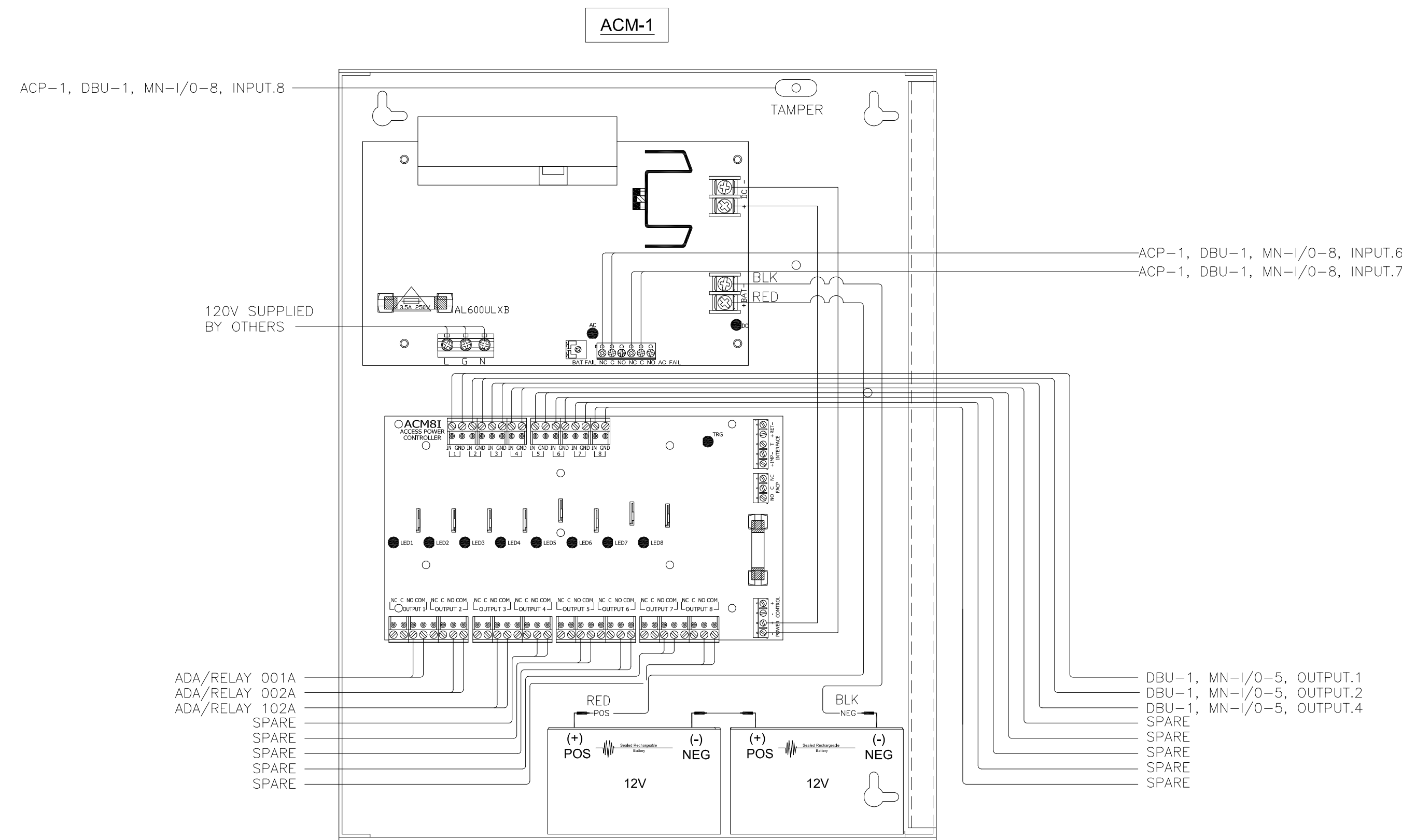


1 A.C.A.M.S. POINT-TO-POINT WIRING DIAGRAM
SCALE: NOT TO SCALE

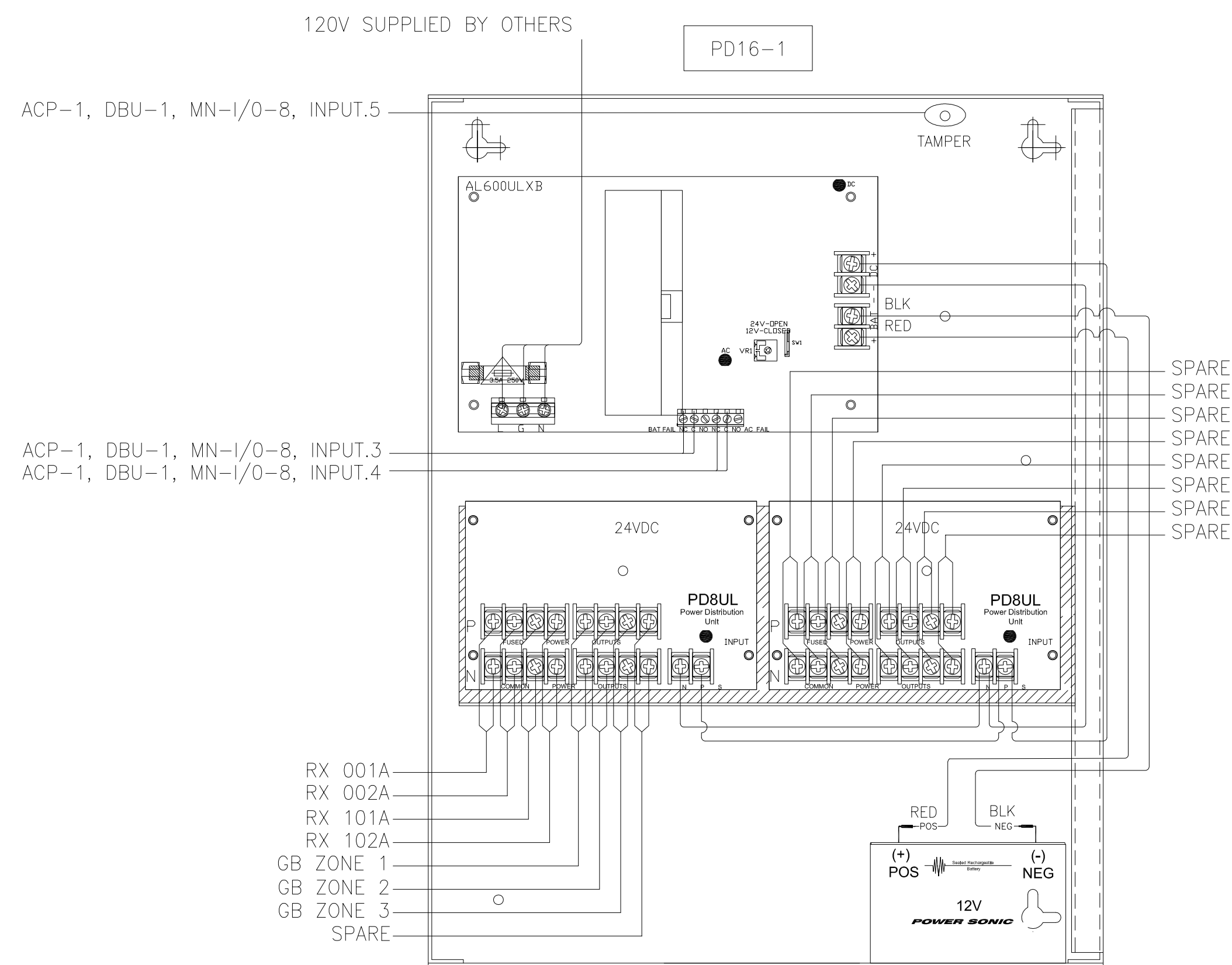


REVISIONS		
NO.	DATE	DESCRIPTION
	7/13/10	SUBMIT FOR SHOP DWG's
	11/7/11	SUBMIT FOR AS BUILTS

PROJECT START DATE:	8/27/09
DRAWN:	GIERKE/LAYMAN
CHECKED:	MAUST
SCALE:	AS NOTED
N&T JOB NO.:	2901/60971070F116537



A 24 VOLT POWER SUPPLY, POINT-TO-POINT WIRING DIAGRAM
SCALE: NOT TO SCALE

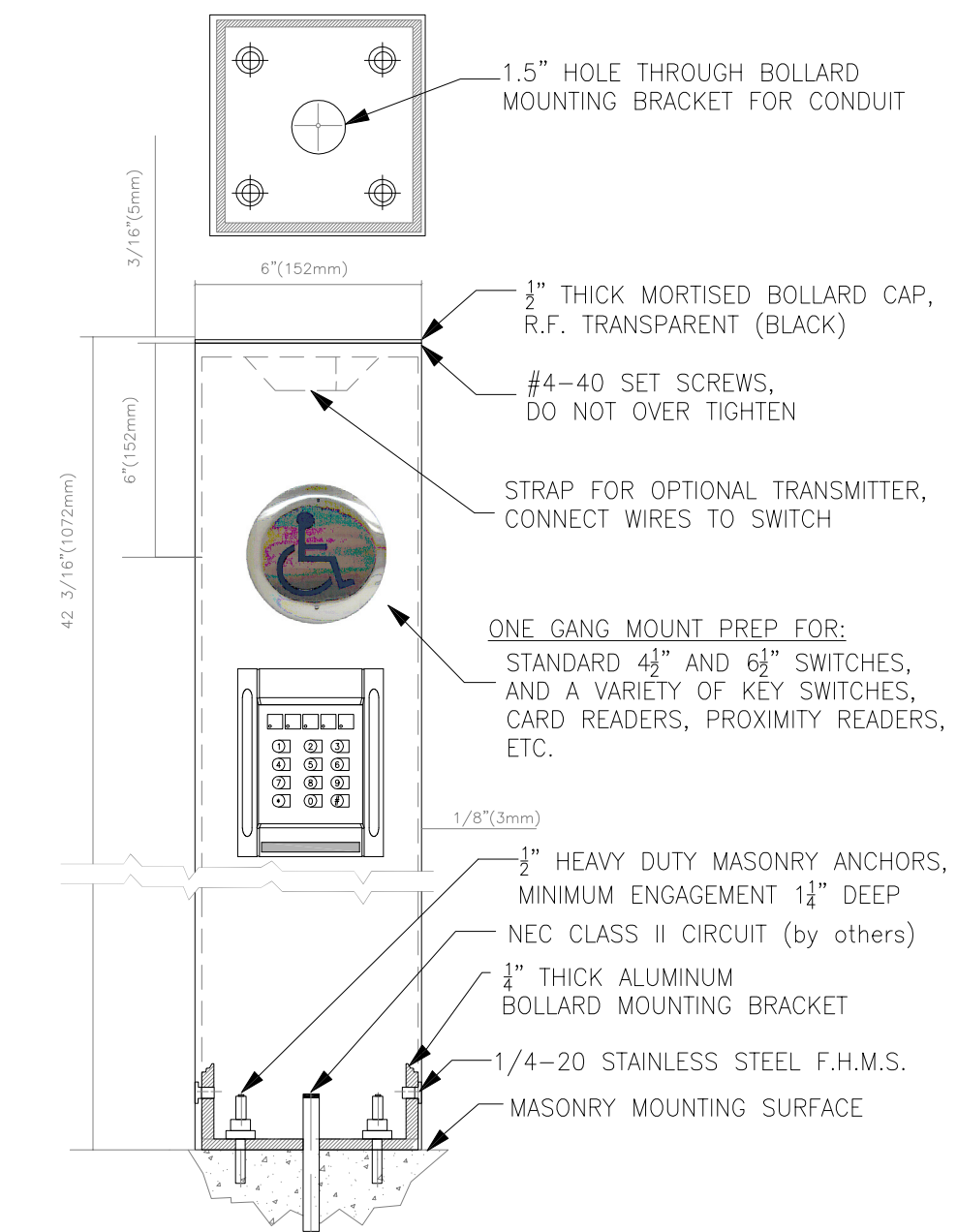
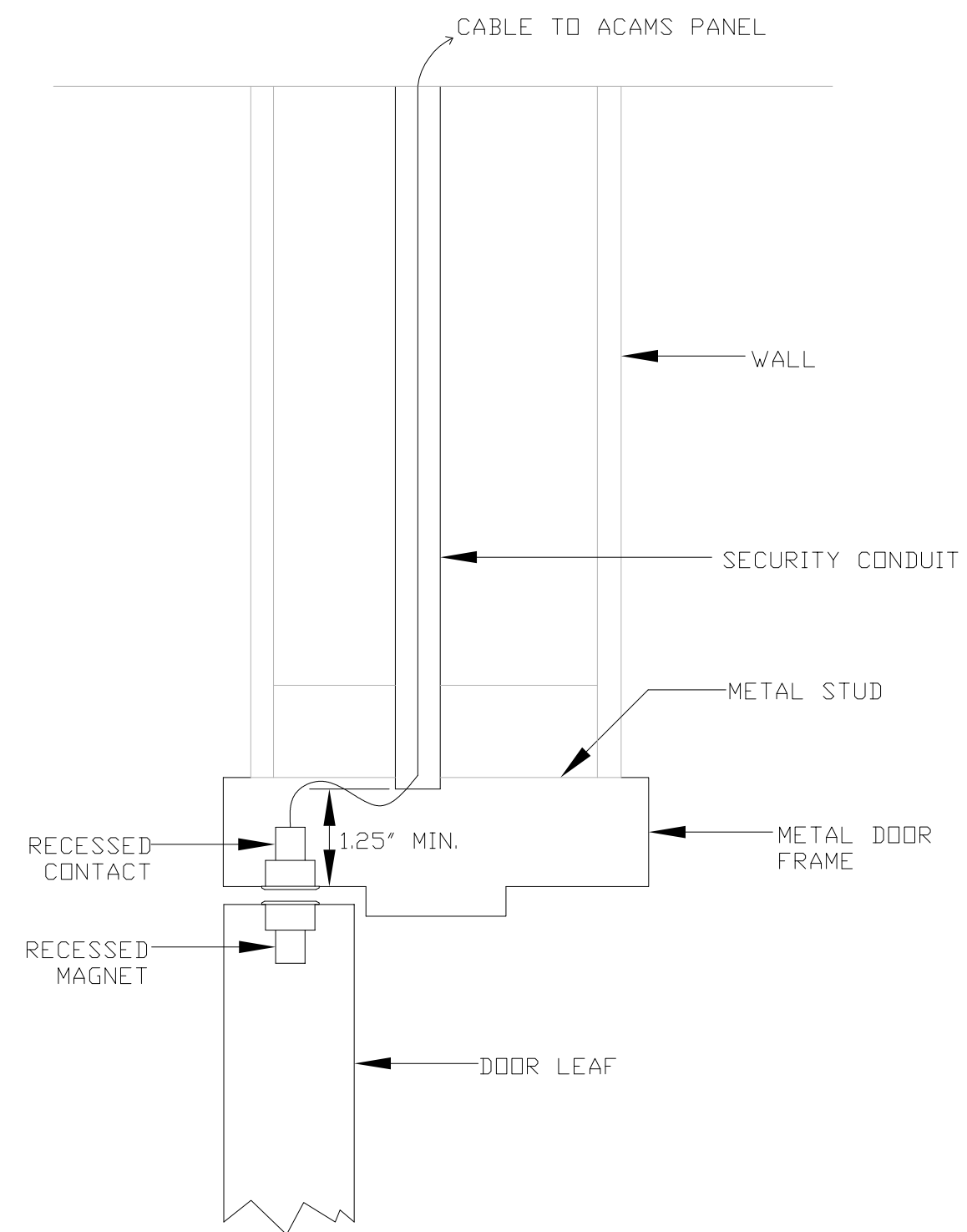
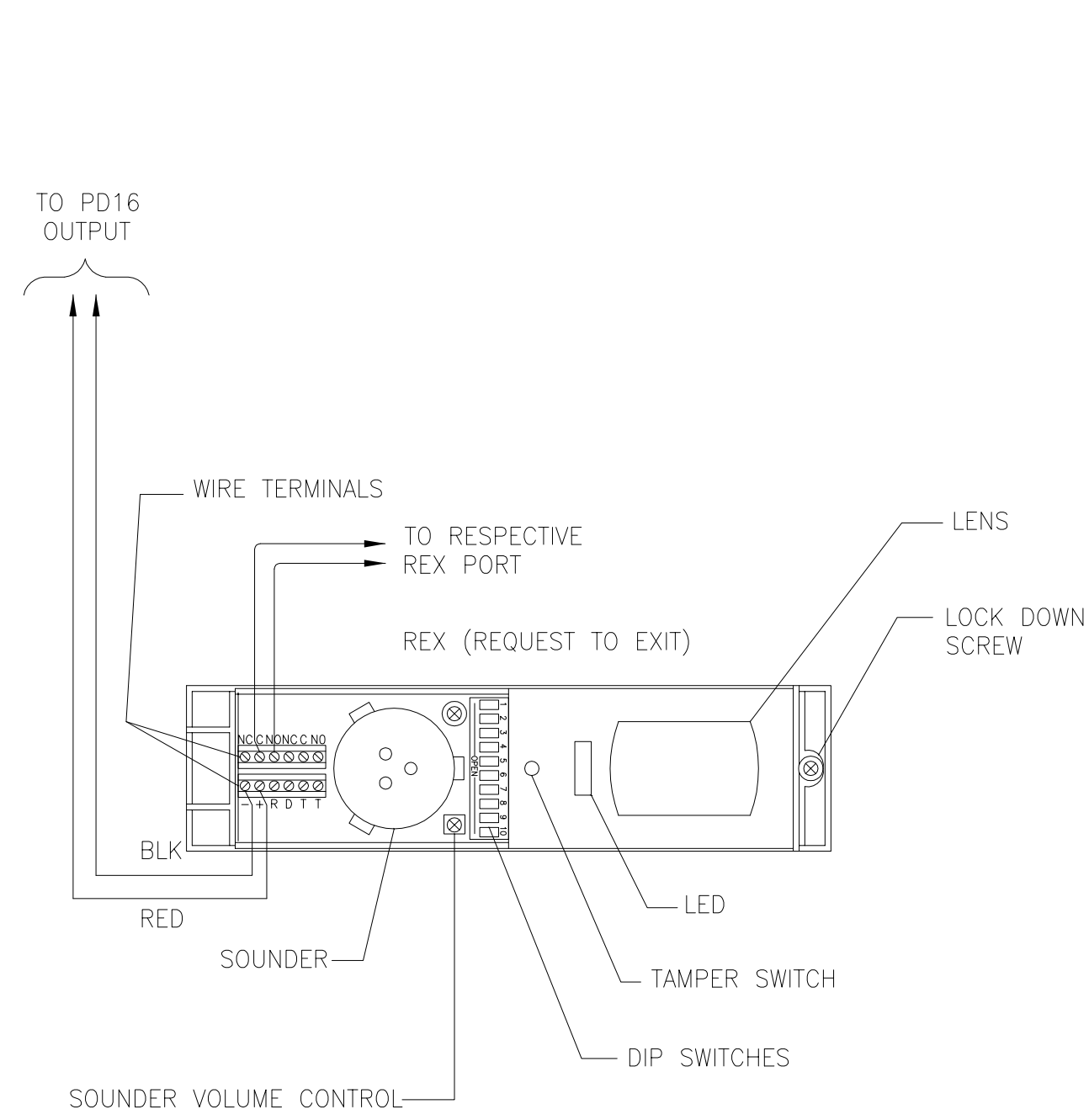
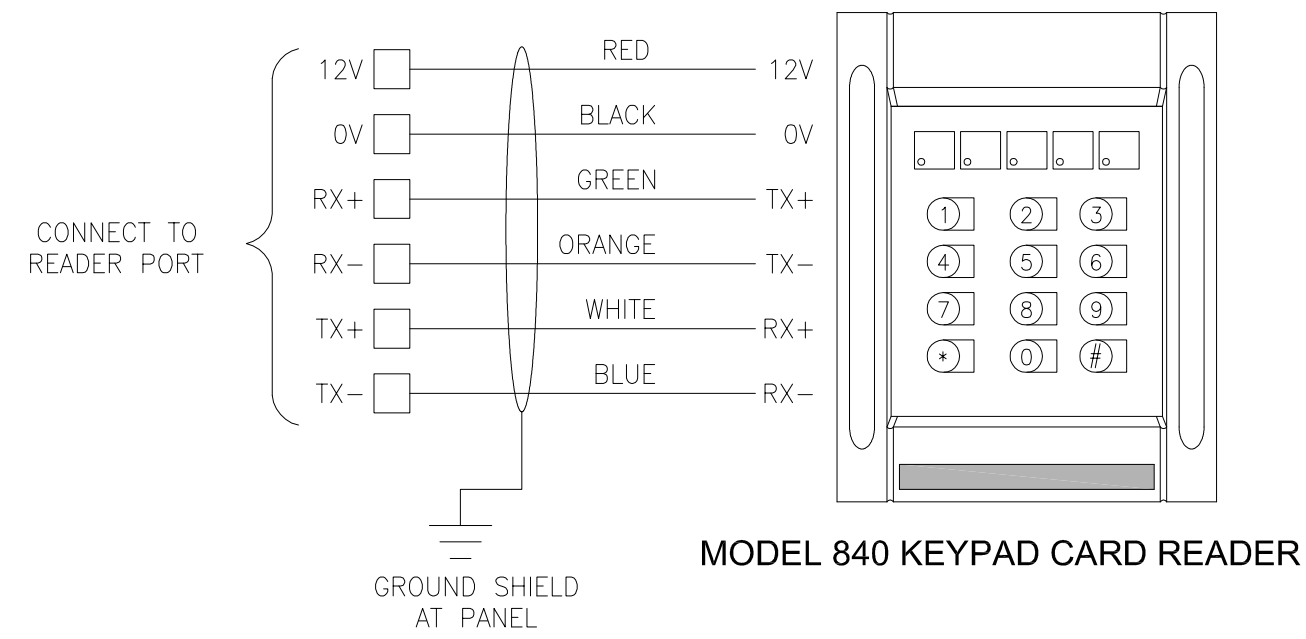


B 12 VOLT POWER SUPPLY, POINT-TO-POINT WIRING DIAGRAM
SCALE: NOT TO SCALE



REVISIONS		
NO.	DATE	DESCRIPTION
	7/13/10	SUBMIT FOR SHOP DWG's
	11/7/11	SUBMIT FOR AS BUILTS

PROJECT START DATE:	8/27/09
DRAWN:	GIERKE/LAYMAN
CHECKED:	MAUST
SCALE:	AS NOTED
N&T JOB NO.:	2901/60971070F116537

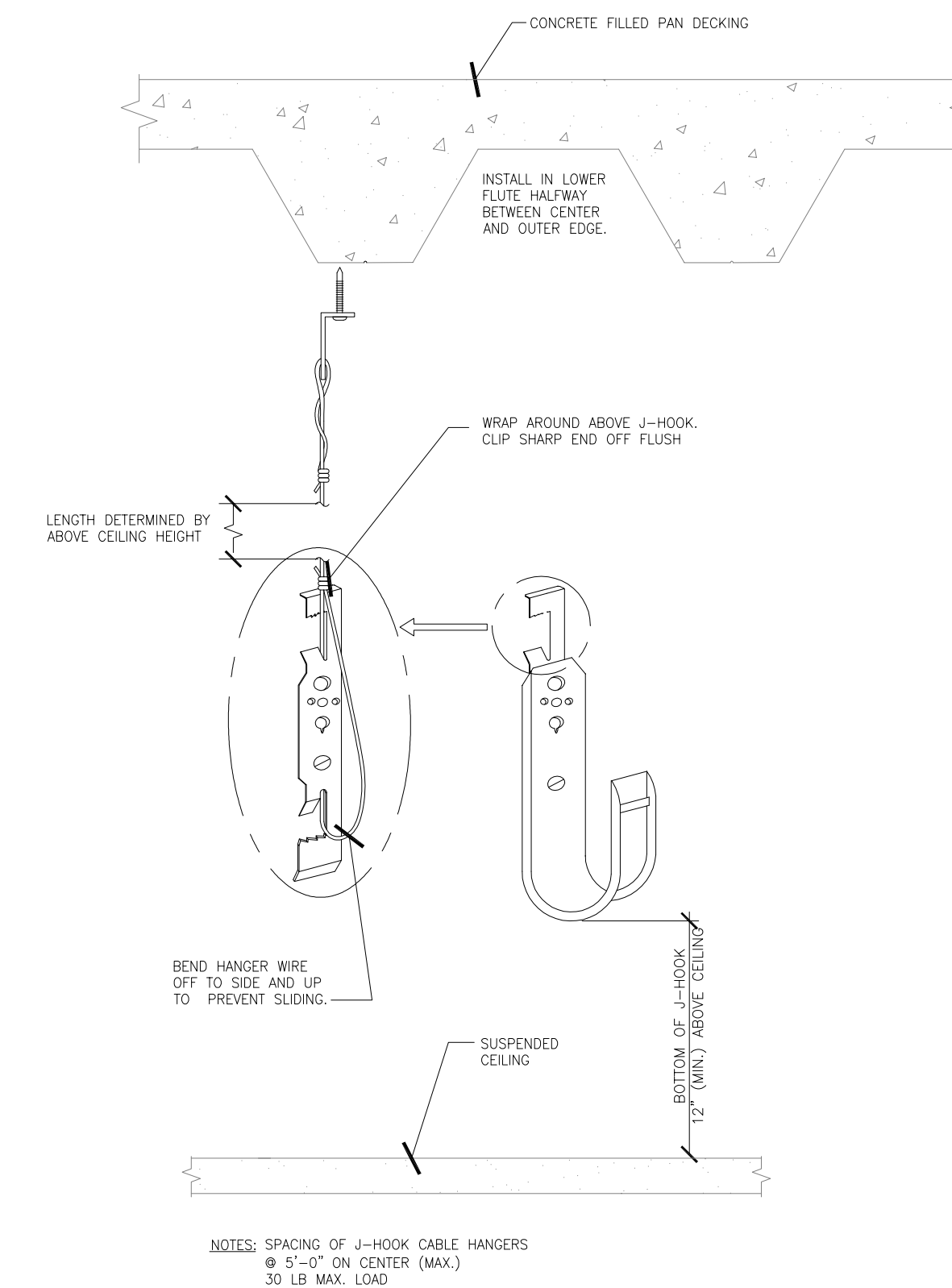
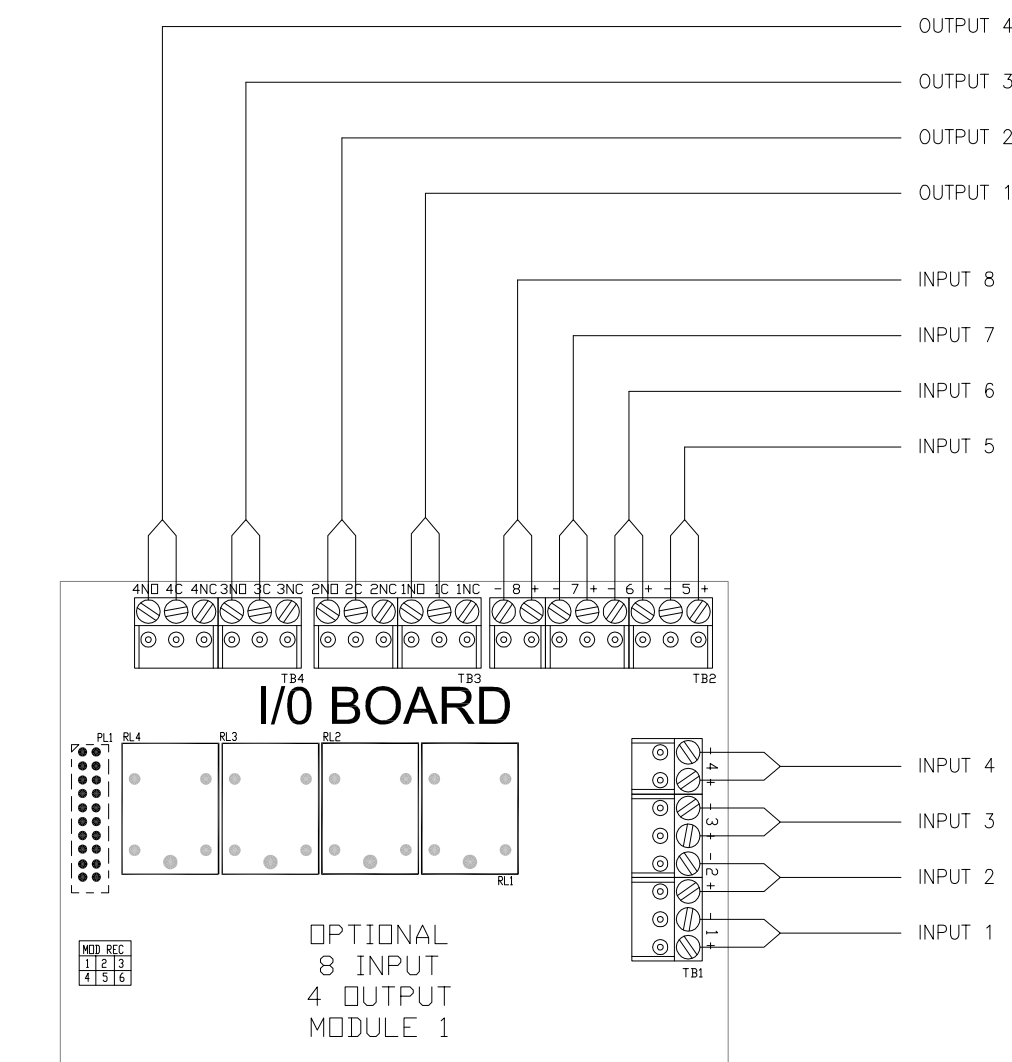
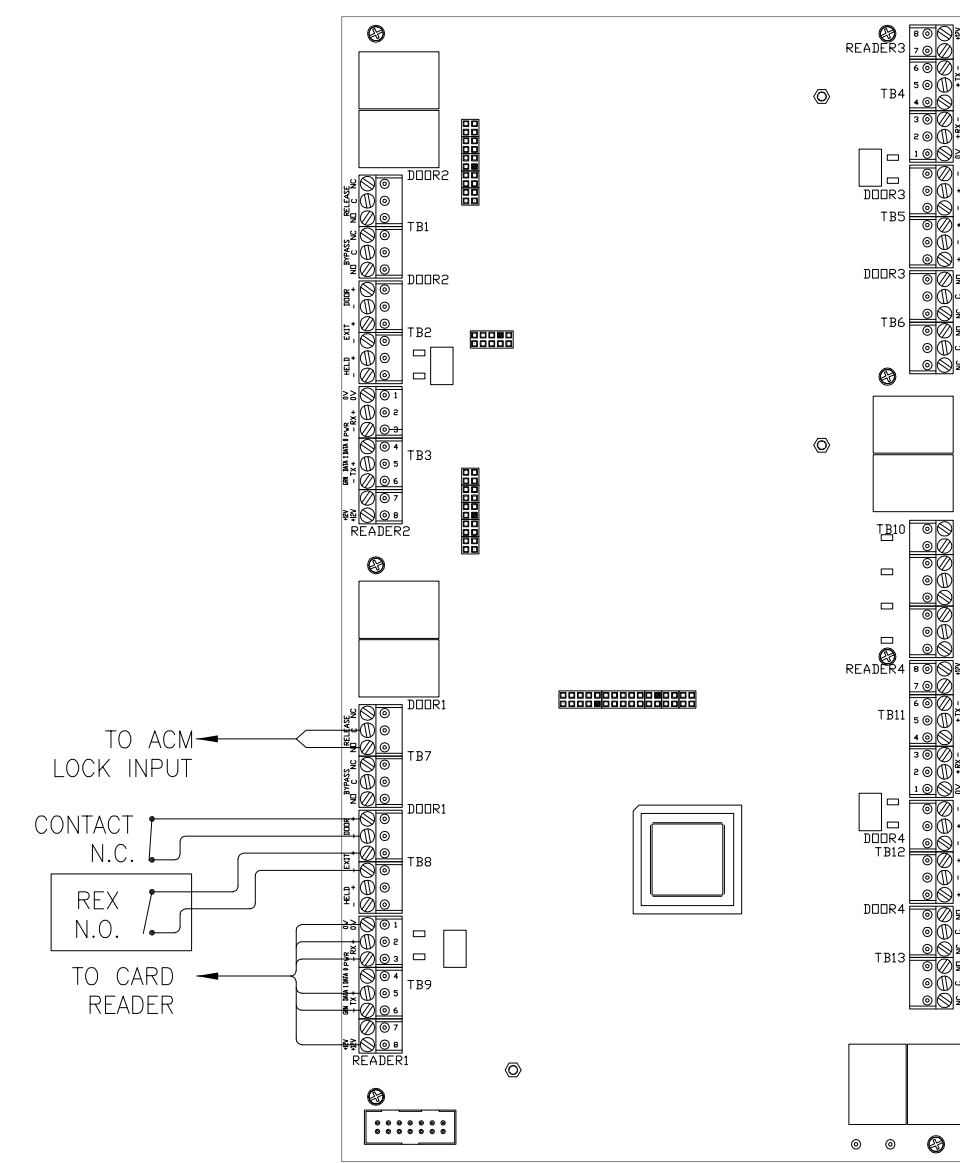
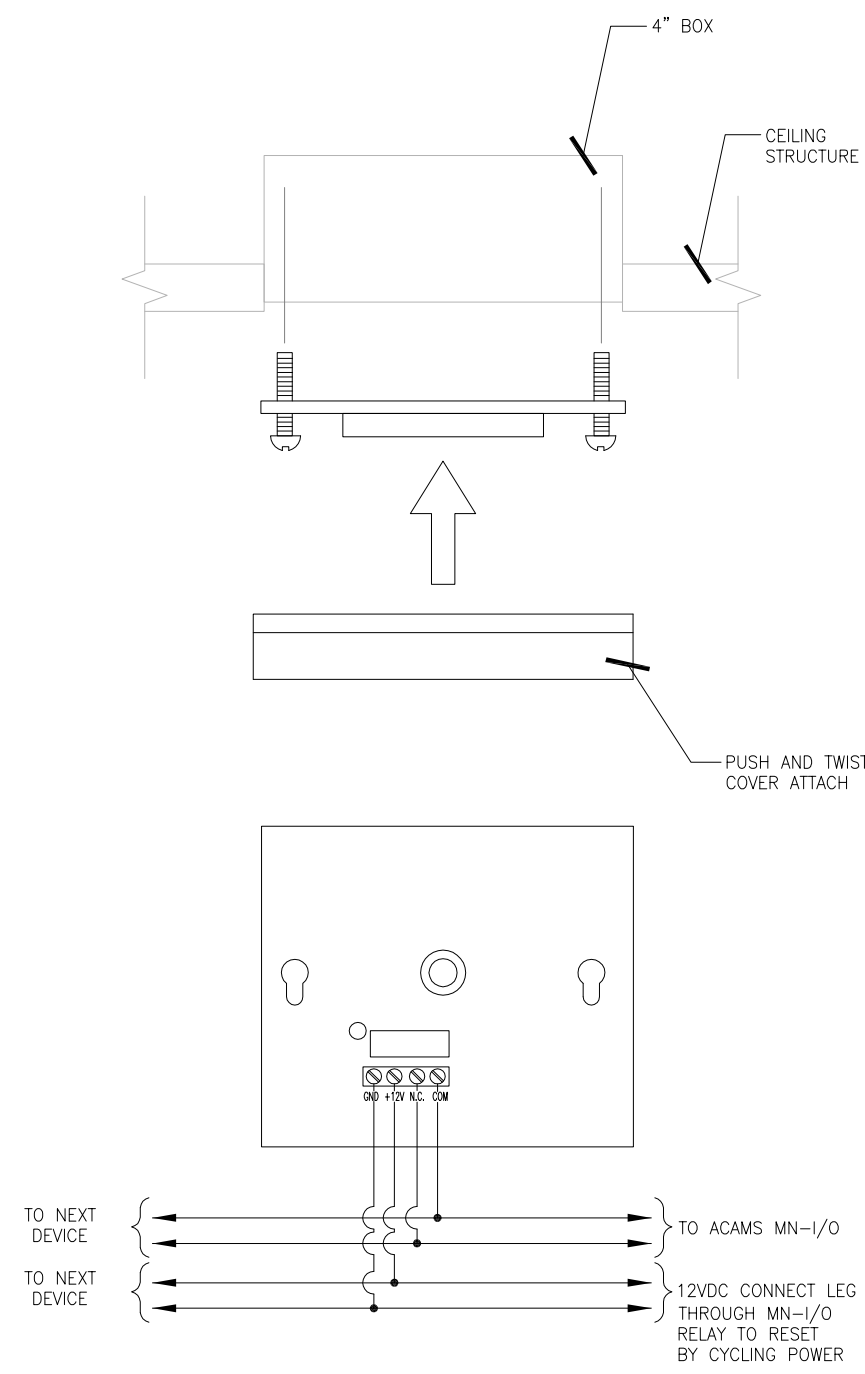


A KEYPAD CARD READER, CARD READER
SCALE: NOT TO SCALE

B REQUEST-TO-EXIT
SCALE: NOT TO SCALE

C RECESSED DOOR CONTACT
SCALE: NOT TO SCALE

D BOLLARD (DOOR 102A)
SCALE: NOT TO SCALE



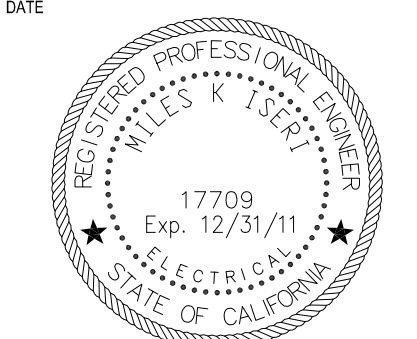
E GLASS BREAK DETECTOR
SCALE: NOT TO SCALE

F FOUR DOOR CONTROLLER (TYP.)
SCALE: NOT TO SCALE

G INPUT/OUTPUT MODULE
SCALE: NOT TO SCALE

H CEILING MOUNT CABLE HANGER
SCALE: NOT TO SCALE

IDENTIFICATION STAMP
DIVISION OF THE STATE ARCHITECT
APPLICATION NUMBER 61-110537
AC _____ FL _____ SS _____
DATE _____



COLLEGE OF SAN MATEO
BUILDING 12
MODERNIZATION
SMCCCD
3401 CSM Drive
San Mateo, CA 94402
College of San Mateo
1700 W. Hillsdale Blvd.
San Mateo, CA 94402

SHEET TITLE
**SECURITY SYSTEM
MISCELLANEOUS DETAILS**

REVISIONS		
NO.	DATE	DESCRIPTION
7/13/10		SUBMIT FOR SHOP DWG's
11/7/11		SUBMIT FOR AS-BUILTS

AS-BUILT DRAWINGS
PROJECT START DATE: 8/27/09
DRAWN: GIERKE/LAYMAN
CHECKED: MAUST
SCALE: AS NOTED
N&T JOB NO.: 2901/60971070F116537

SHEET NUMBER
SEC.4.00

ARCHITECT OF RECORD
noll&tam
architects and planners
729 Heinz Avenue
Berkeley, CA 94710
510.649.8295
fax 510.649.3008

Prepared By:
NETVERSANT
Inspiring Technology Solutions

Prepared For:
CUPERTINO ELECTRIC
1740 CESAR CHAVEZ STREET
SAN FRANCISCO, CA 94124
(415)970-3400
C-10 LIC.NO. 174637

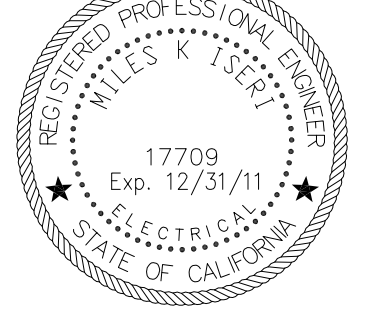
729 Heinz Avenue
 Berkeley, CA 94710
 510.649.8295
 fax 510.649.3008

Prepared By:
NETVERSANT
 Inspiring Technology Solutions

Prepared For:
CUPERTINO ELECTRIC
 1740 CESAR CHAVEZ STREET
 SAN FRANCISCO, CA 94124
 (415)970-3400
 C-10 LIC.NO. 174637

IDENTIFICATION STAMP
 DIVISION OF THE STATE ARCHITECT

APPLICATION NUMBER 61-110537
 AC: _____ FLS: _____ SS: _____
 DATE: _____



COLLEGE OF SAN MATEO
 BUILDING 12
 MODERNIZATION

SMCCCD
 3401 CSM Drive
 San Mateo, CA 94402
 College of San Mateo
 1700 W. Hillsdale Blvd.
 San Mateo, CA 94402

SHEET TITLE
**SECURITY SYSTEM
 MISCELLANEOUS DETAILS,
 CONT'd.**

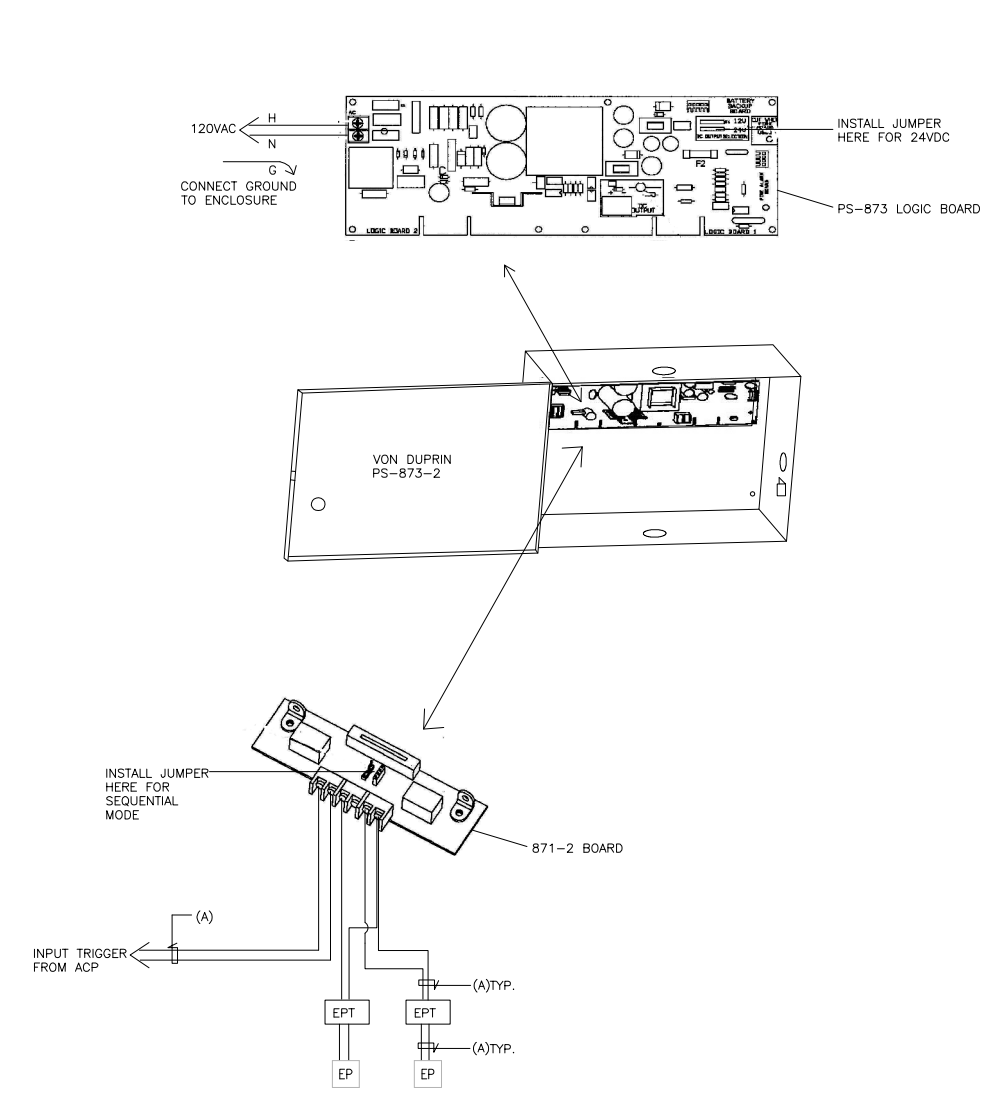
REVISIONS		
NO.	DATE	DESCRIPTION
7/13/10		SUBMIT FOR SHOP DWG's
11/7/11		SUBMIT FOR AS-BUILTS

AS-BUILT DRAWINGS

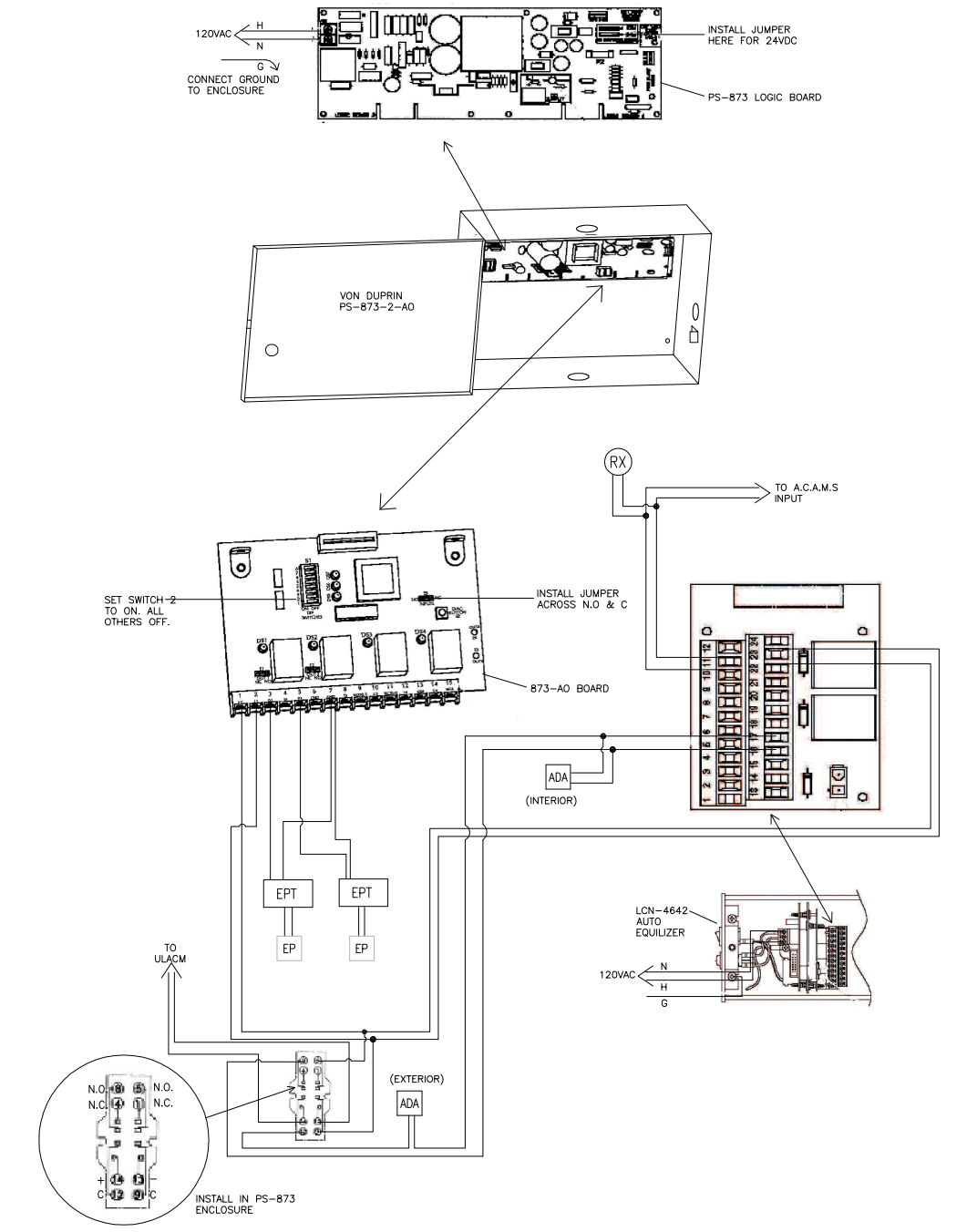
PROJECT START DATE: 8/27/09
 DRAWN: GIERKE/LAYMAN
 CHECKED: MAUST
 SCALE: AS NOTED
 N&T JOB NO.: 2901/60971070F116537

SHEET NUMBER

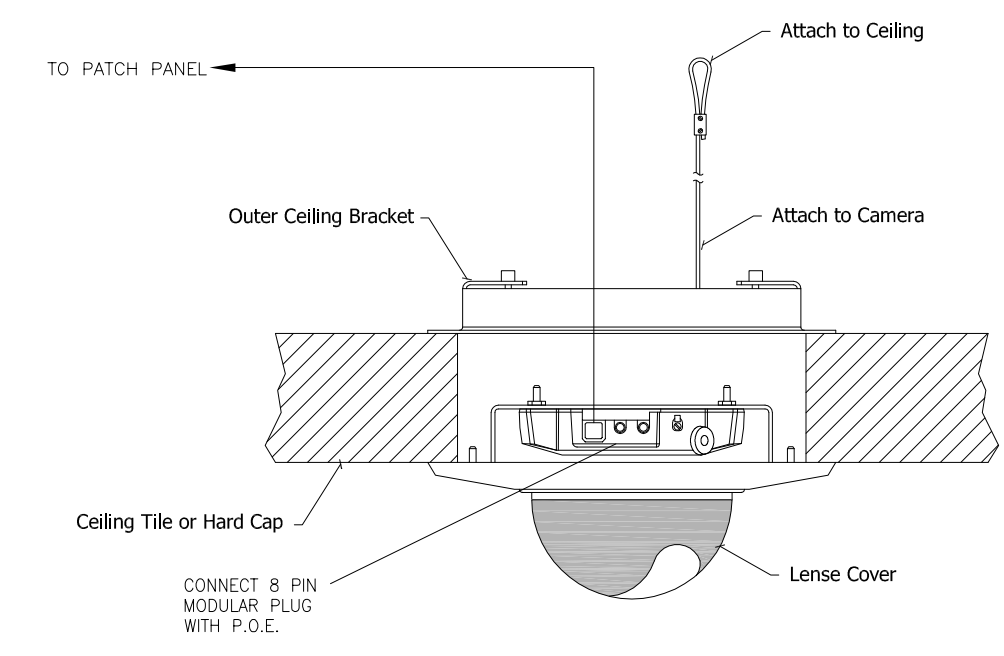
SEC.4.01



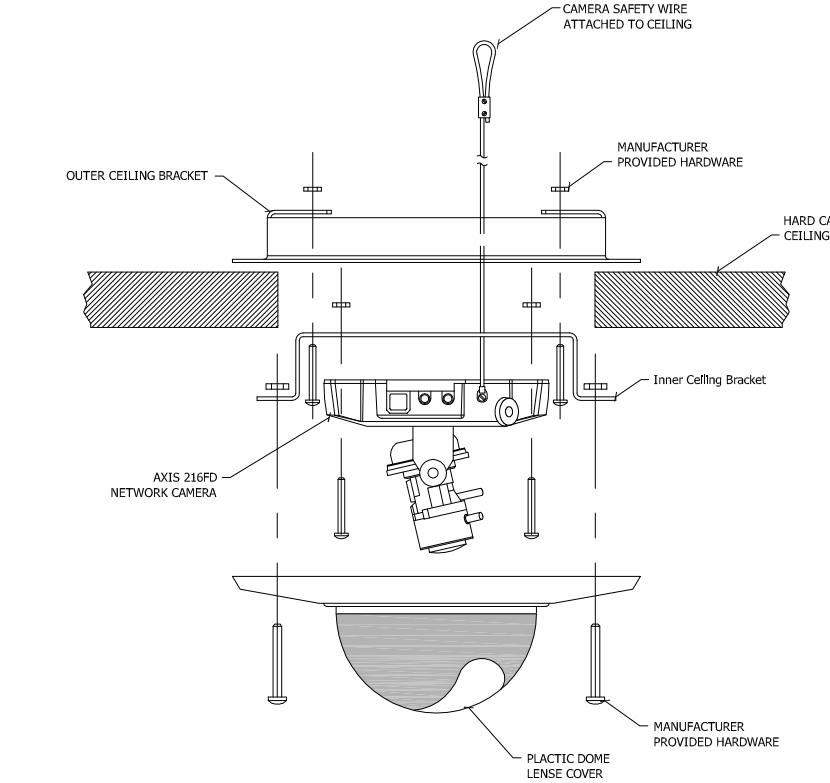
A PS-873, NO ADA (DOOR 101A)
 SCALE: NOT TO SCALE



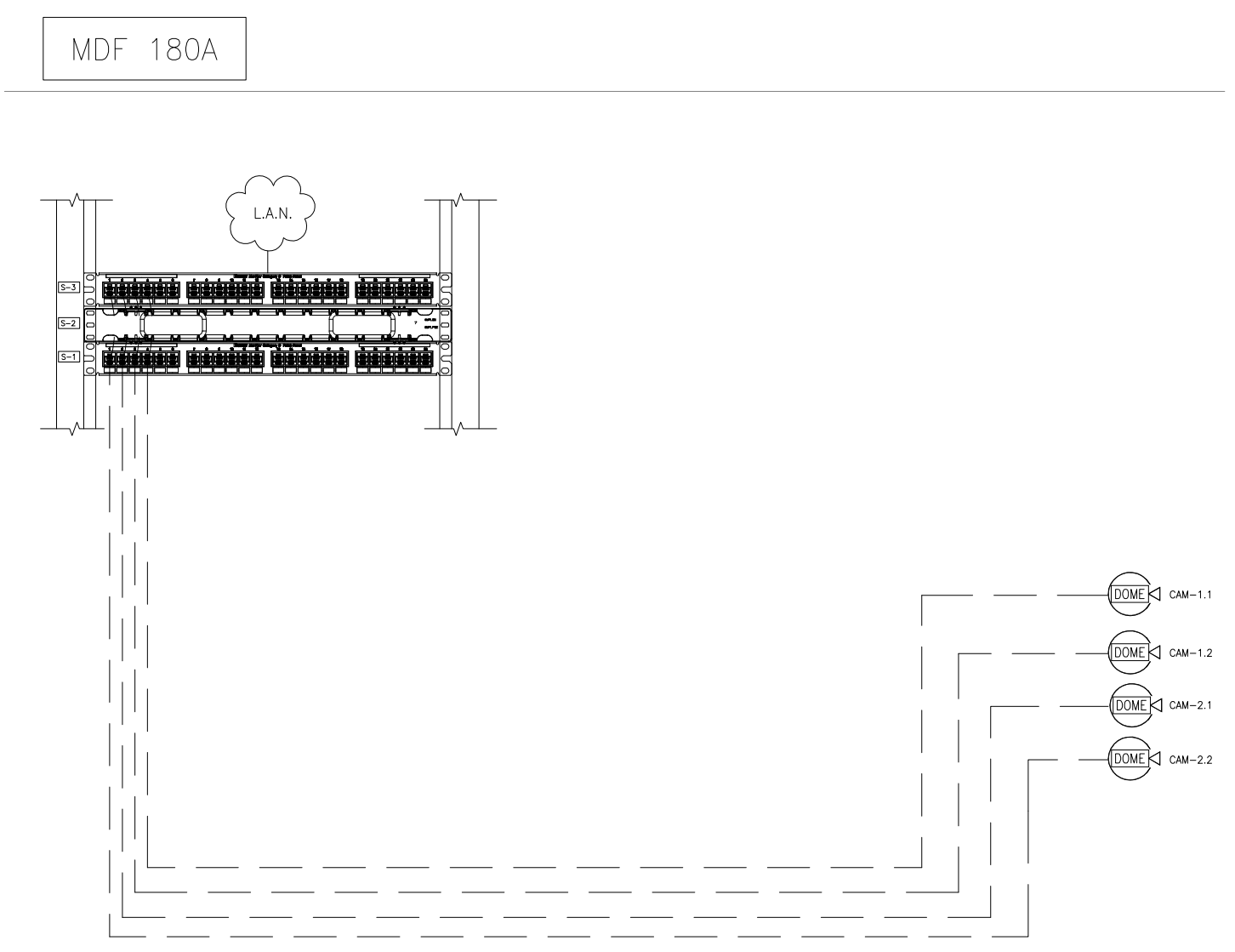
B PS-873-ADA (DOORS 001A, 002A, 102A)
 SCALE: NOT TO SCALE



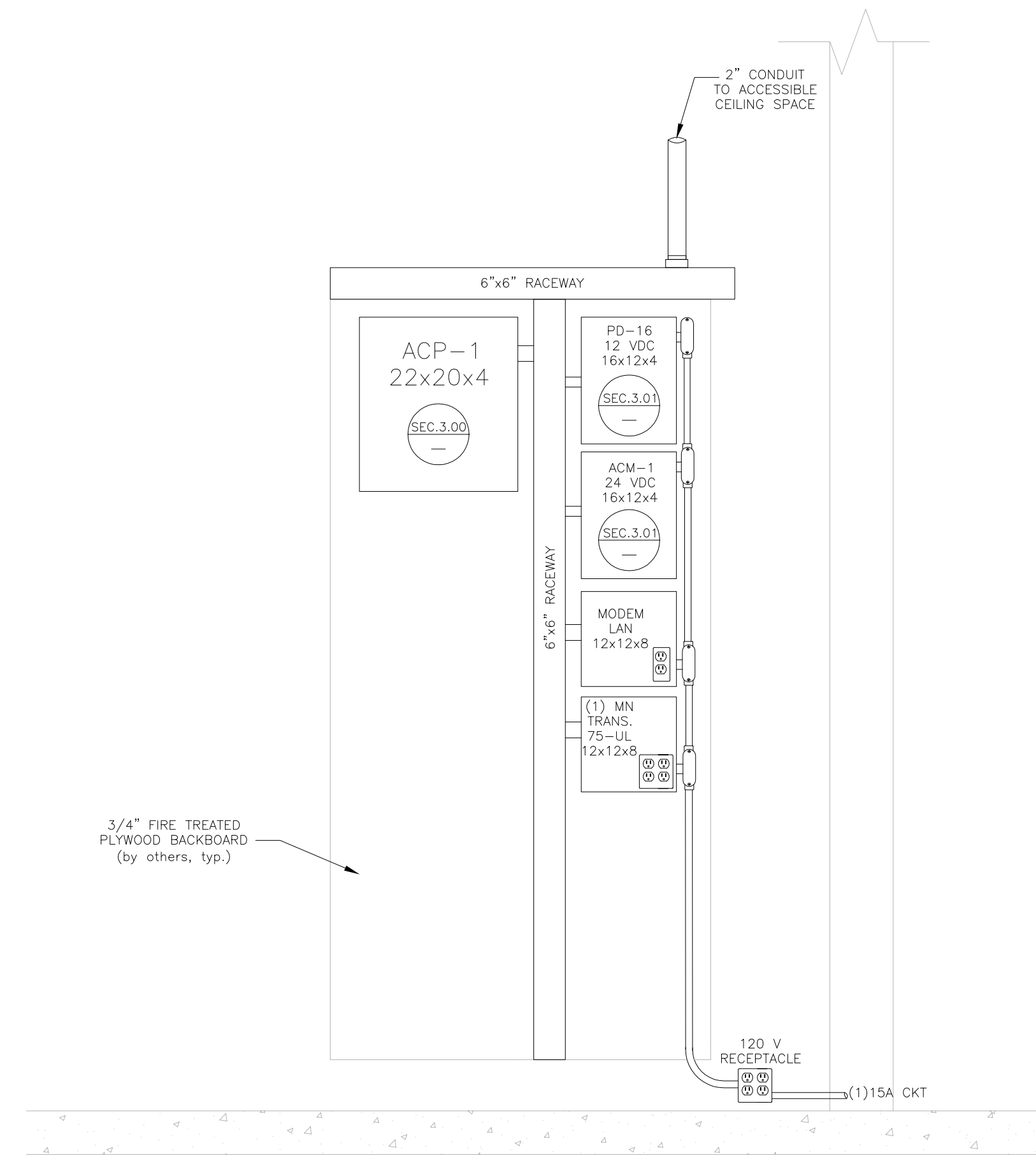
C AXIS 216 FD, RECESSED CEILING MOUNT
 SCALE: NOT TO SCALE



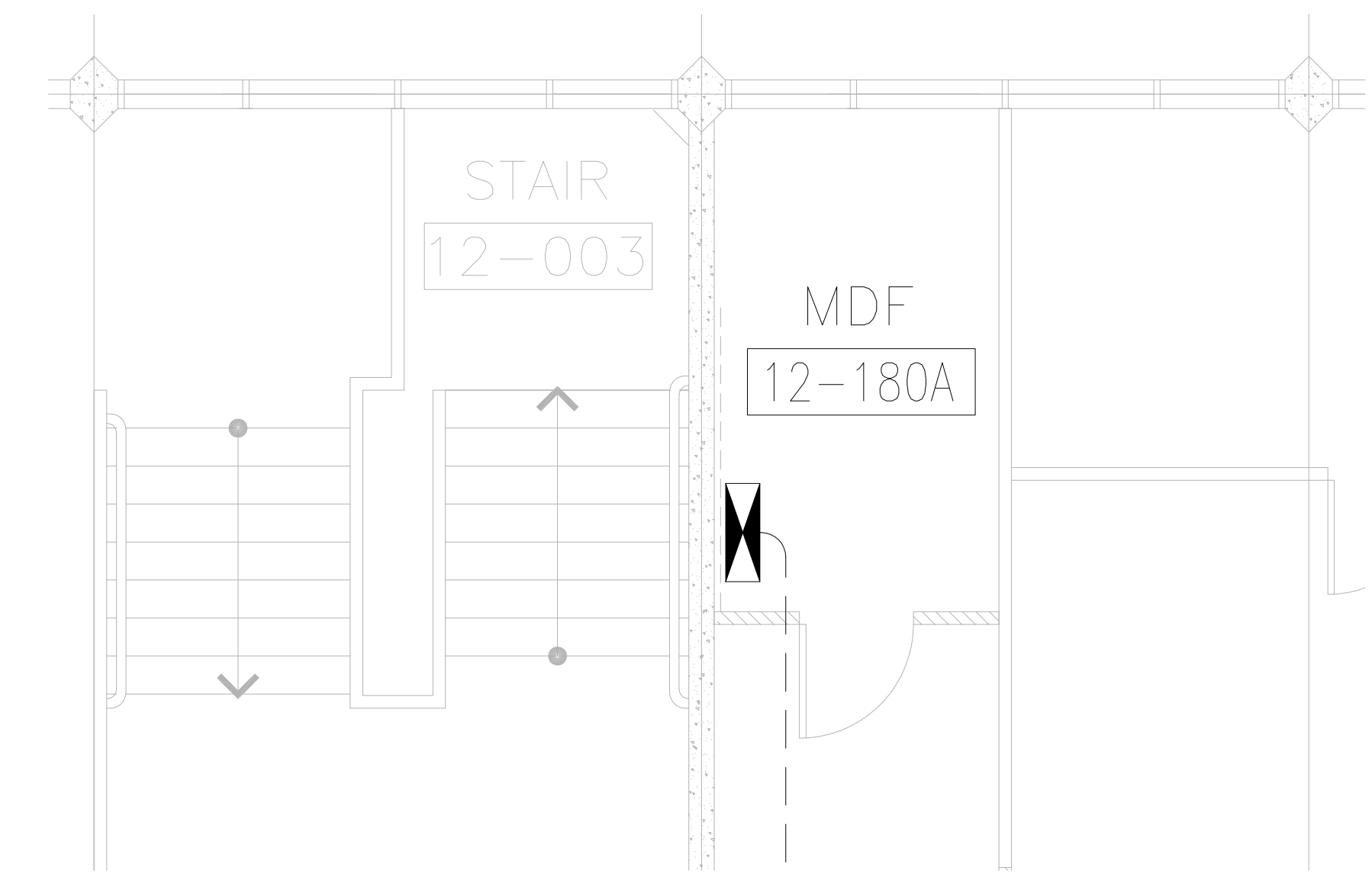
- S-1 PUNCH DOWN CAT-6 CABLES TO JACKS. INSERT JACKS INTO PATCH PANELS.
- S-2 INSTALL WIREMANAGER FOR PATCH CORDS.
- S-3 S.M.C.C.D. PROVIDED SWITCH. PATCH CAMERAS INTO SWITCH.
- S-4 INSTALL CCTV EQUIPMENT IN AN EXISTING RACK IN MDF-180A. VERIFY PLACEMENT WITH S.M.C.C.D.



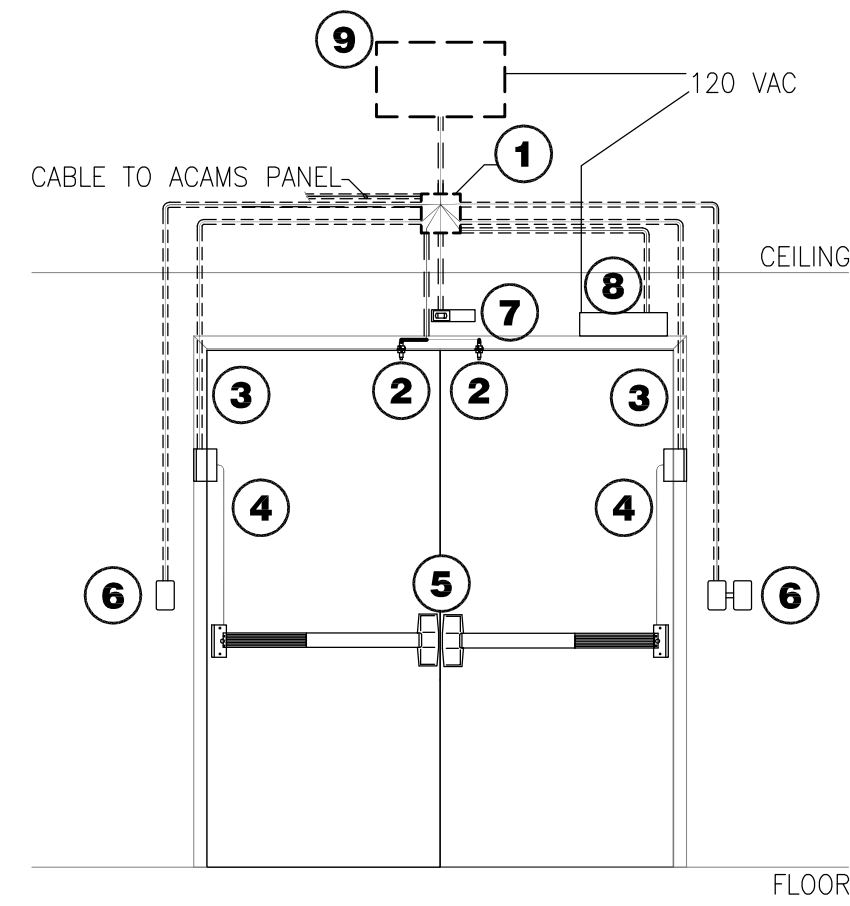
D SECOND FLOOR MDF 180A- CCTV EQUIPMENT & CAMERA LOCATIONS
 SCALE: NOT TO SCALE



E SECOND FLOOR MDF 180A- PANEL ELEVATION
 SCALE: NOT TO SCALE



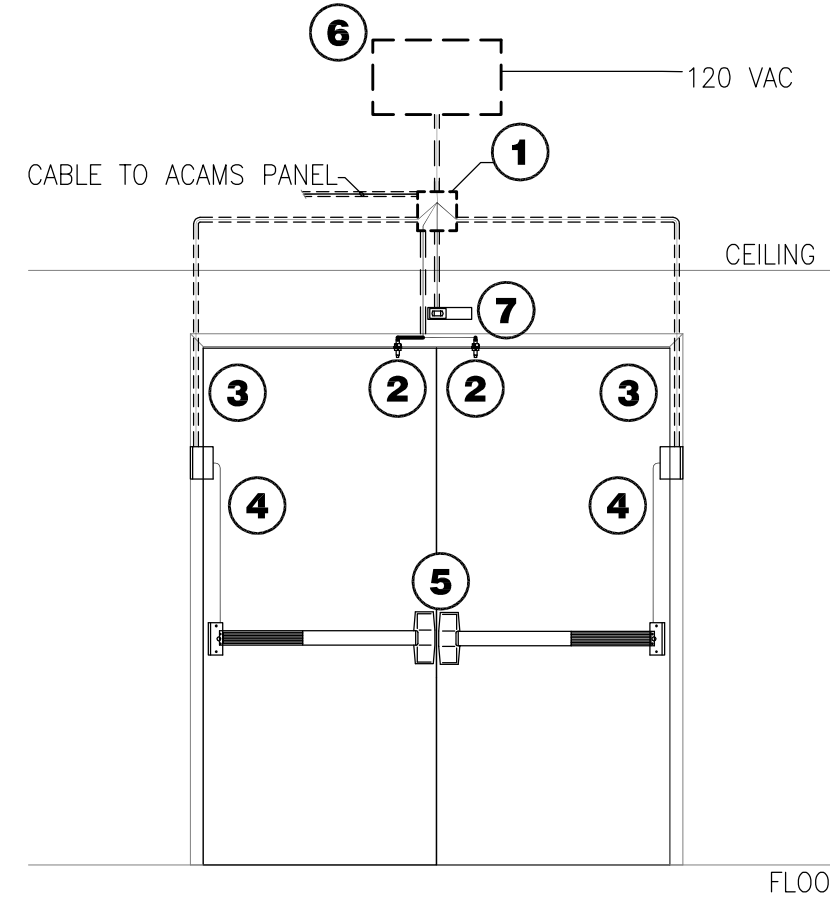
F SECOND FLOOR MDF 180A- PANEL LOCATION
 SCALE: 1/4"=1'-0"



- ① JUNCTION BOX 10' AFF.
- ② STUB CONDUIT INTO HEADER OF DOOR FRAME FOR DOOR CONTACT. INSTALL DOOR CONTACT 6" FROM LATCH SIDE EDGE.
- ③ STUB CONDUIT DOWN DOOR FRAME FOR ELECTRIC POWER TRANSFER.
- ④ WIREWAY THROUGH DOOR FROM POWER TRANSFER TO ELECTRIFIED PANIC BAR.
- ⑤ ELECTRIFIED PANIC BARS.
- ⑥ PROVIDE 4" x 4" x 2 1/8" DEEP BOXES WITH SINGLE GANG DEVICE RINGS FLUSH MOUNTED FOR CARD READER AND ADA ACTUATORS 42" A.F.F. O.C.
- ⑦ REQUEST TO EXIT MOTION SENSOR.
- ⑧ DOOR OPERATOR.
- ⑨ PS-873-2-A0

THIS DOOR IS UNLOCKED DURING SCHOOL HOURS, THE DOOR CONTACTS ALARMING FUNCTION IS DISABLED. ADA ACTUATOR WILL OPERATE THE OPENER. AFTER HOURS THE DOOR IS LOCKED, THE EXTERIOR ADA ACTUATOR IS DISABLED, THE CARD READER SHALL GRANT INGRESS, AND THE INTERIOR ADA ACTUATOR OR REQUEST TO EXIT WILL GRANT EGRESS. DOOR 102A SHALL HAVE THE CARD READER AND ADA ACTUATOR MOUNTED ON A BOLLARD. SEE SEC.4.00, DETAIL D.

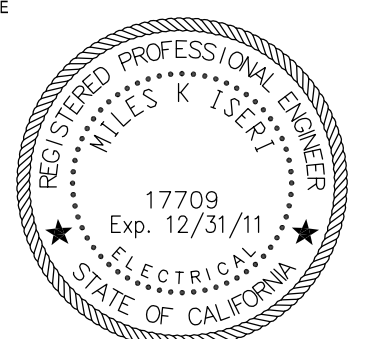
A CARD READER DOOR (ADA)
SCALE: NOT TO SCALE



- ① JUNCTION BOX 10' AFF.
- ② STUB CONDUIT INTO HEADER OF DOOR FRAME FOR DOOR CONTACT. INSTALL DOOR CONTACT 6" FROM LATCH SIDE EDGE.
- ③ STUB CONDUIT DOWN DOOR FRAME FOR ELECTRIC POWER TRANSFER.
- ④ WIREWAY THROUGH DOOR FROM POWER TRANSFER TO ELECTRIFIED PANIC BAR.
- ⑤ ELECTRIFIED PANIC BARS.
- ⑥ PS-873-2
- ⑦ REQUEST TO EXIT MOTION SENSOR.

THIS DOOR IS UNLOCKED DURING SCHOOL HOURS AND THE DOOR CONTACTS ALARMING FUNCTION IS DISABLED. AFTER HOURS THE DOOR IS LOCKED FROM THE OUTSIDE AND THE DOOR CONTACT IS ENABLED. THE REQUEST TO EXIT SWITCH IN THE LOCKSET SHALL SERVE TO GRANT EGRESS AFTER HOURS.

B SCHEDULED UNLOCK DOOR
SCALE: NOT TO SCALE



COLLEGE OF SAN MATEO

BUILDING 12
MODERNIZATION

SMCCCD
3401 CSM Drive
San Mateo, CA 94402
College of San Mateo
1700 W. Hillsdale Blvd.
San Mateo, CA 94402

SHEET TITLE
ACAMS DOOR DETAILS

REVISIONS		
NO.	DATE	DESCRIPTION
	7/13/10	SUBMIT FOR SHOP DWG's
	11/7/11	SUBMIT FOR AS-BUILTS

AS-BUILT DRAWINGS

PROJECT START DATE:	8/27/09
DRAWN	GIERKE/LAYMAN
CHECKED	MAUST
SCALE	AS NOTED
N&T JOB NO.:	2901/60971070F116537

SHEET NUMBER

SEC.4.02