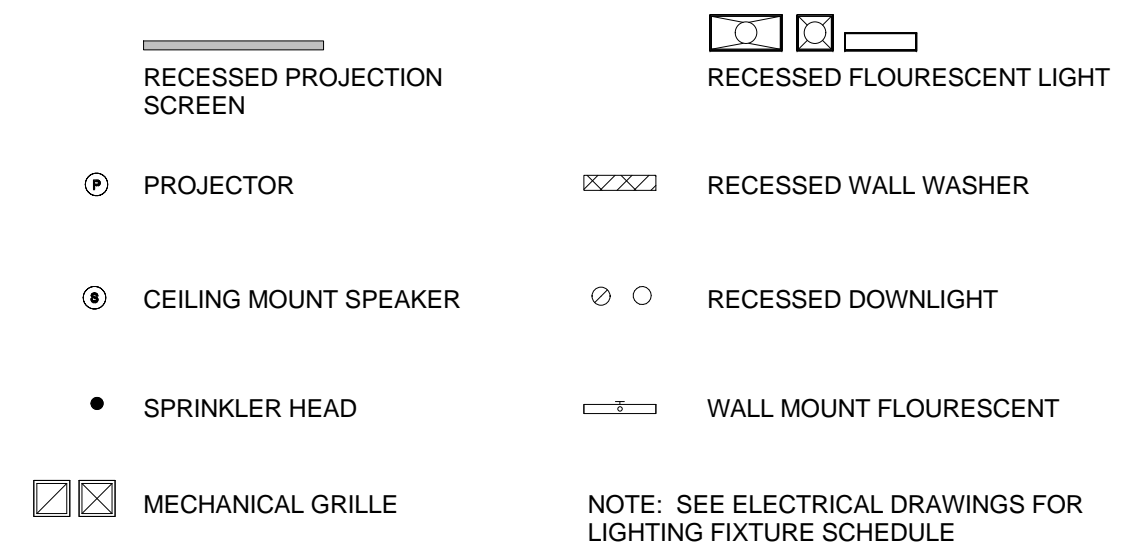


1 LEVEL 3 REFLECTED CEILING PLAN  
3/32" = 1'-0"

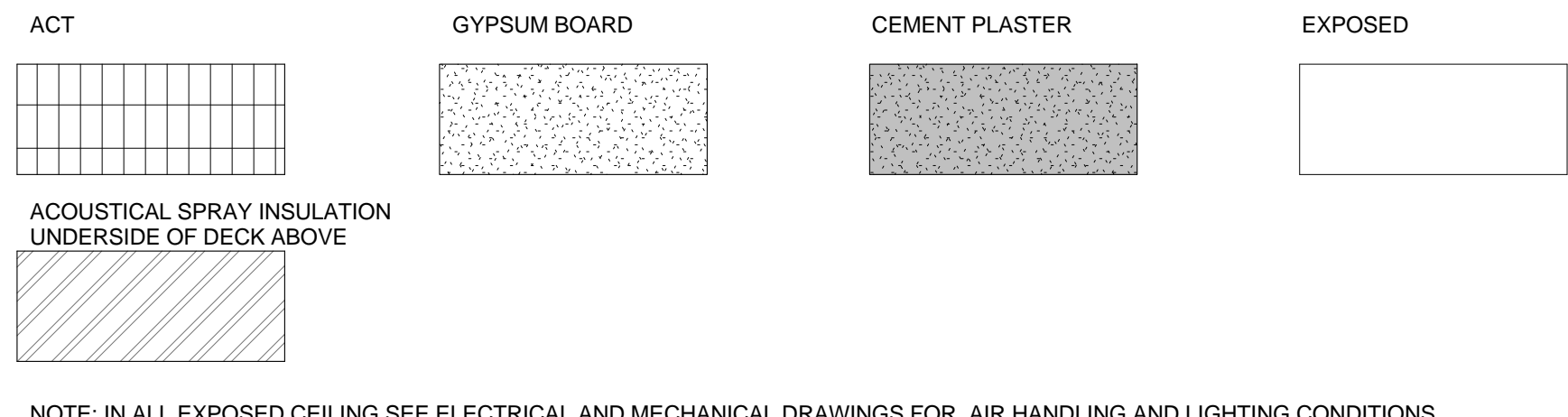
GENERAL NOTES

- SEE PROJECT MANUAL FOR LIGHTING FIXTURES
- SEE ELECTRICAL DRAWINGS E-200 SERIES FOR FIXTURE DESIGNATIONS
- SPRINKLER HEADS SHOWN FOR DESIGN INTENT ONLY. SEE FIRE PROTECTION DRAWINGS FOR SPRINKLER HEAD INFORMATION

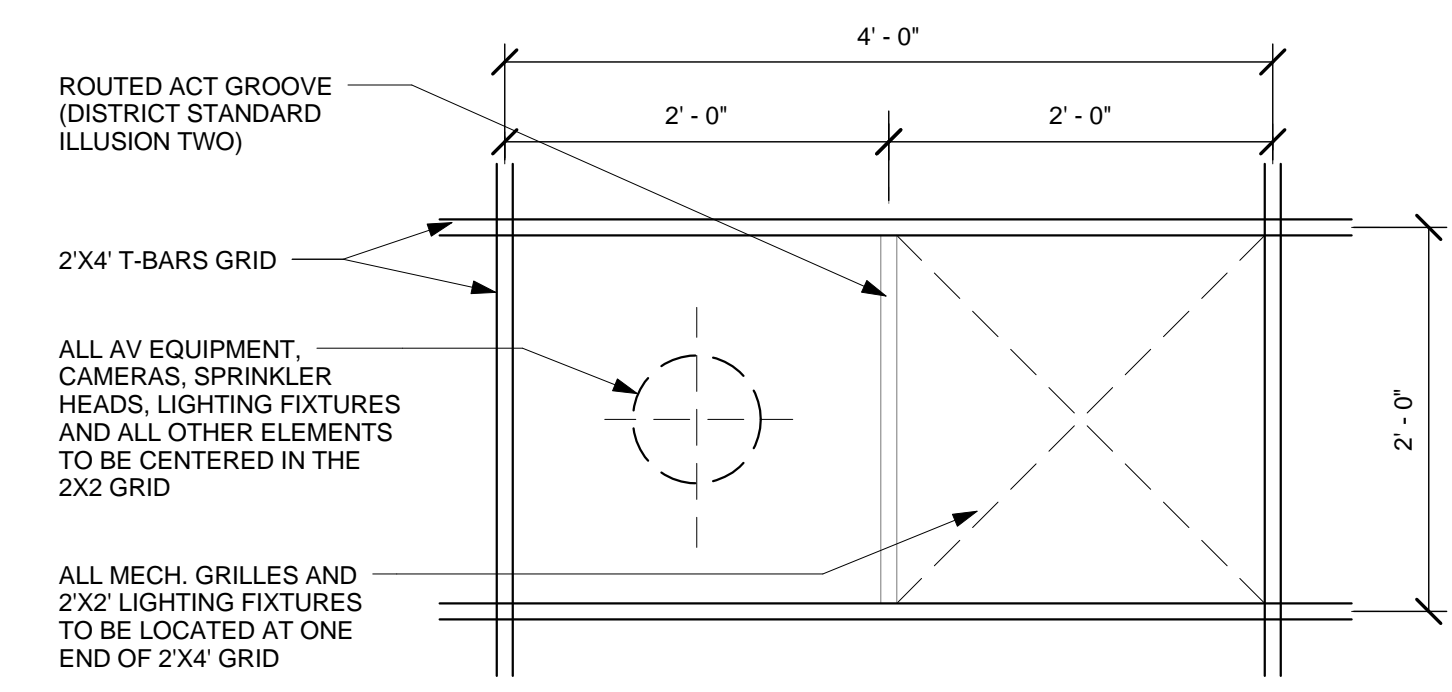
SYMBOLS LEGEND



CEILING FINISHES



CEILING MOUNTING DIAGRAM



All drawings and written material appearing herein constitute original and unpublished work of the Architect/Engineer and may not be duplicated, used or disclosed without consent of Architect/Engineer.

If this drawing is not 30"x42", then the drawing has been revised from its original size. Notes scales must be adjusted. This line should be equal to one inch.