

PROJECT
RECORD SET

BUILDING 4
SKYLINE COLLEGE

SAN MATEO COUNTY
COMMUNITY COLLEGE
DISTRICT

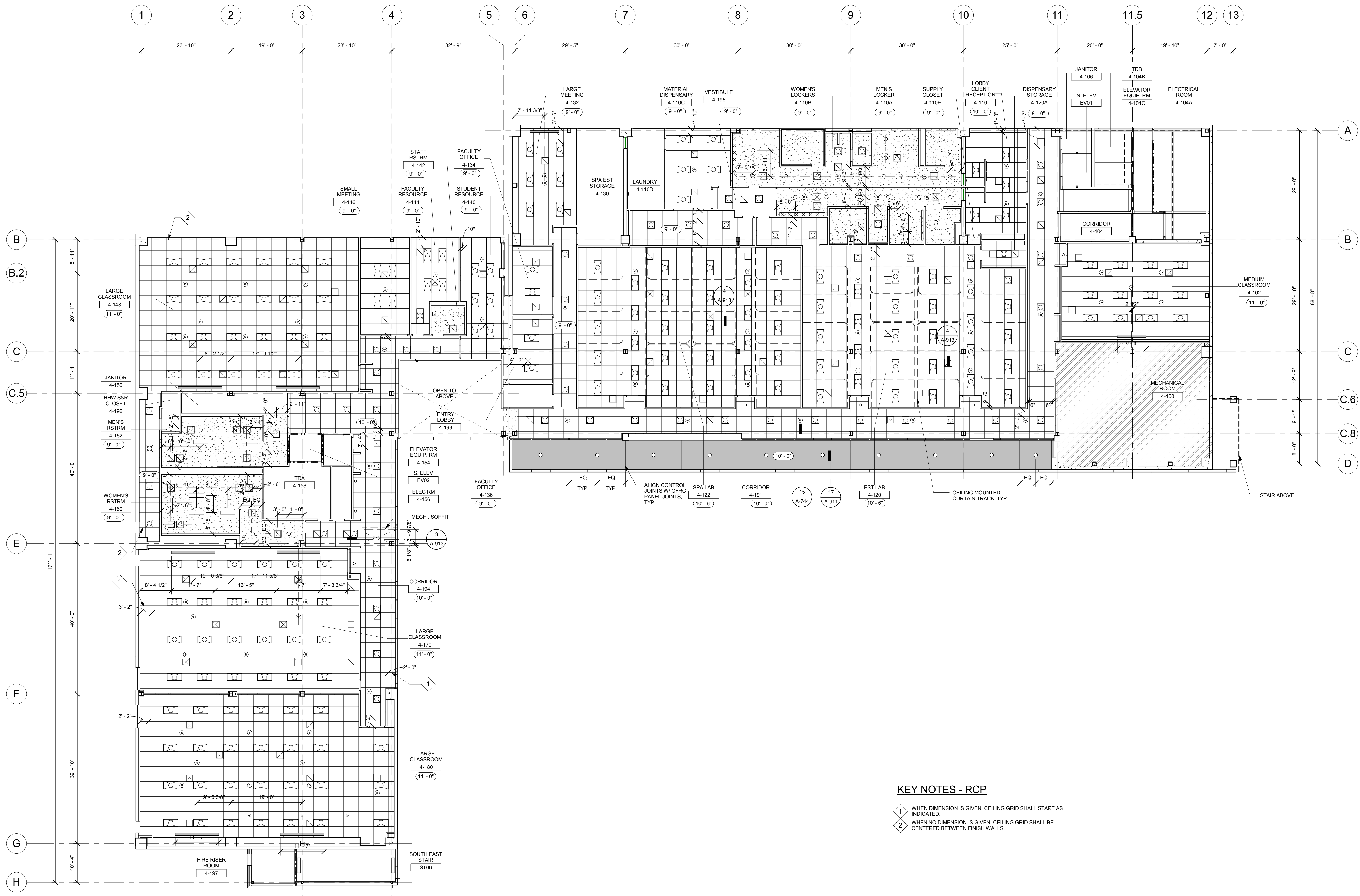
CIP2 DESIGN-BUILD
PROJECT
BUILDING 4

PROJECT NO.: 07012.00 DRAWN BY: RY
DATE: 04.16.2009 CHECKED BY: EK
SCALE: As indicated

SHEET TITLE:
LEVEL 1
REFLECTED
CEILING PLAN

SHEET NO.

AC-201



1 LEVEL 1 REFLECTED CEILING PLAN
3/32" = 1'-0"

GENERAL NOTES

- SEE PROJECT MANUAL FOR LIGHTING FIXTURES
- SEE ELECTRICAL DRAWINGS E-200 SERIES FOR FIXTURE DESIGNATIONS
- SPRINKLER HEADS SHOWN FOR DESIGN INTENT ONLY. SEE FIRE PROTECTION DRAWINGS FOR SPRINKLER HEAD INFORMATION

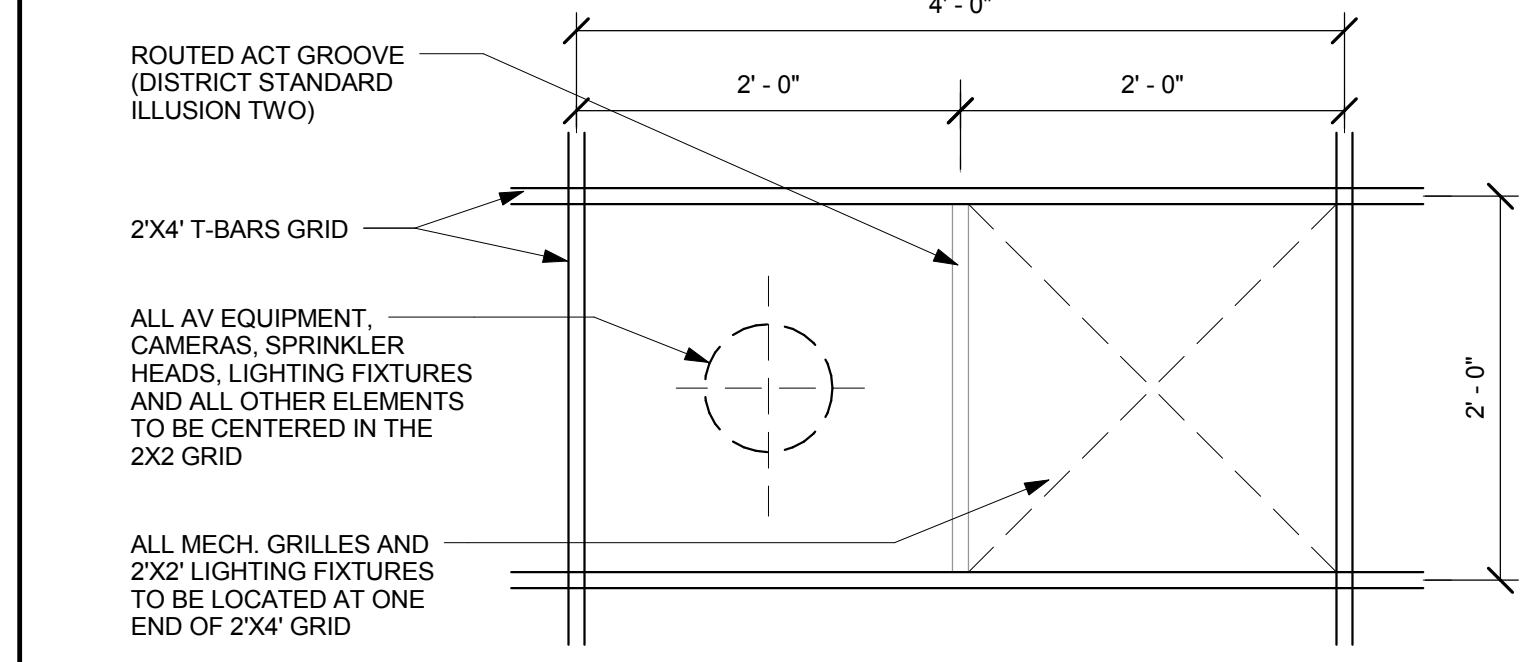
SYMBOLS LEGEND

- RECESSED PROJECTION SCREEN
 - PROJECTOR
 - CEILING MOUNT SPEAKER
 - SPRINKLER HEAD
 - MECHANICAL GRILLE
 - RECESSED FLOURESCENT LIGHT
 - RECESSED WALL WASHER
 - RECESSED DOWNLIGHT
 - WALL MOUNT FLOURESCENT
- NOTE: SEE ELECTRICAL DRAWINGS FOR LIGHTING FIXTURE SCHEDULE

CEILING FINISHES

- ACT
 - GYPSUM BOARD
 - CEMENT PLASTER
 - EXPOSED
 - ACOUSTICAL SPRAY INSULATION UNDERSIDE OF DECK ABOVE
- NOTE: IN ALL EXPOSED CEILING SEE ELECTRICAL AND MECHANICAL DRAWINGS FOR AIR HANDLING AND LIGHTING CONDITIONS

CEILING MOUNTING DIAGRAM



All drawings and written material appearing herein constitute original and unpublished work of the Architect/Engineer and may not be duplicated, used or disclosed without consent of Architect/Engineer.
If this drawing is not 30"x42", then the drawing has been revised from its original size. Noted scales must be adjusted. This line should be equal to one inch.