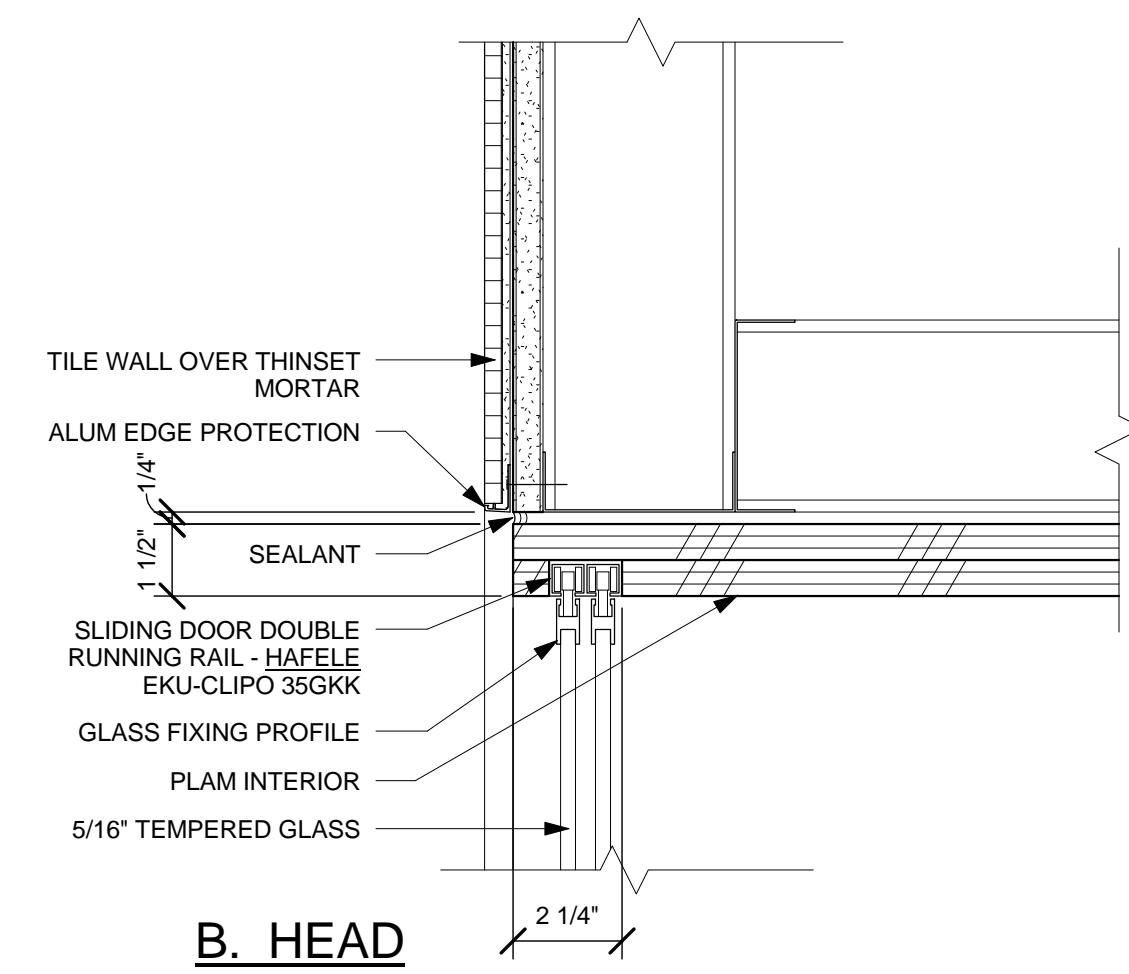
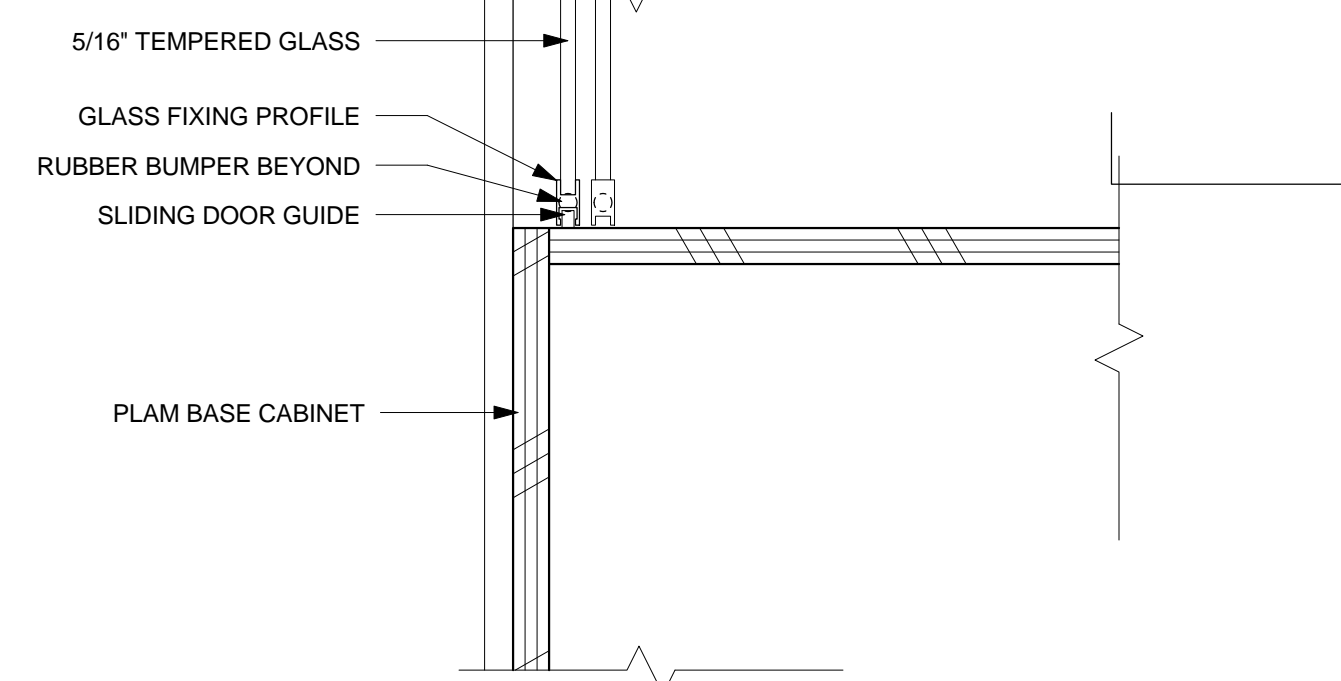


8 LOBBY DISPLAY CAB - PLAN
3\"/>

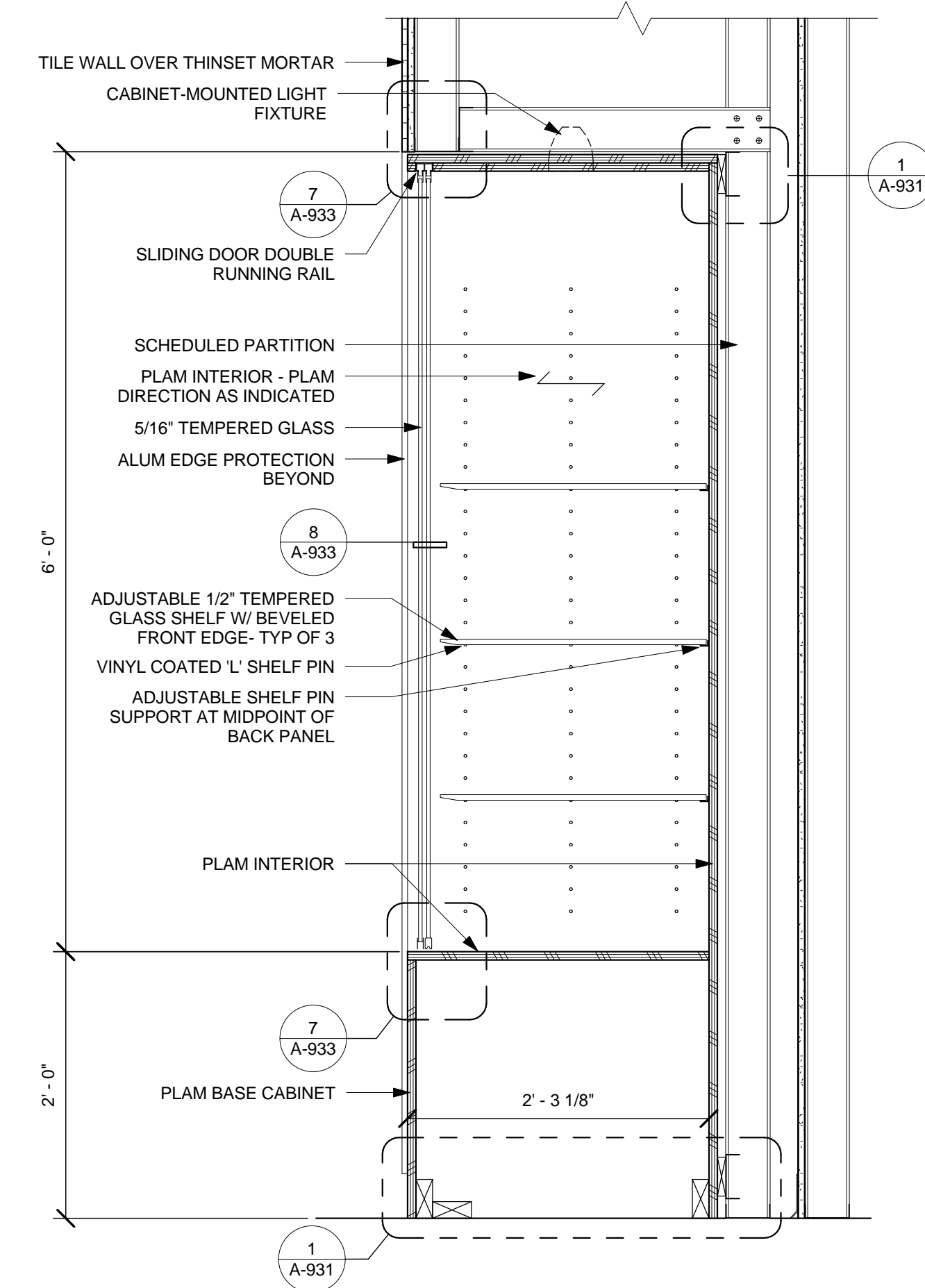


B. HEAD

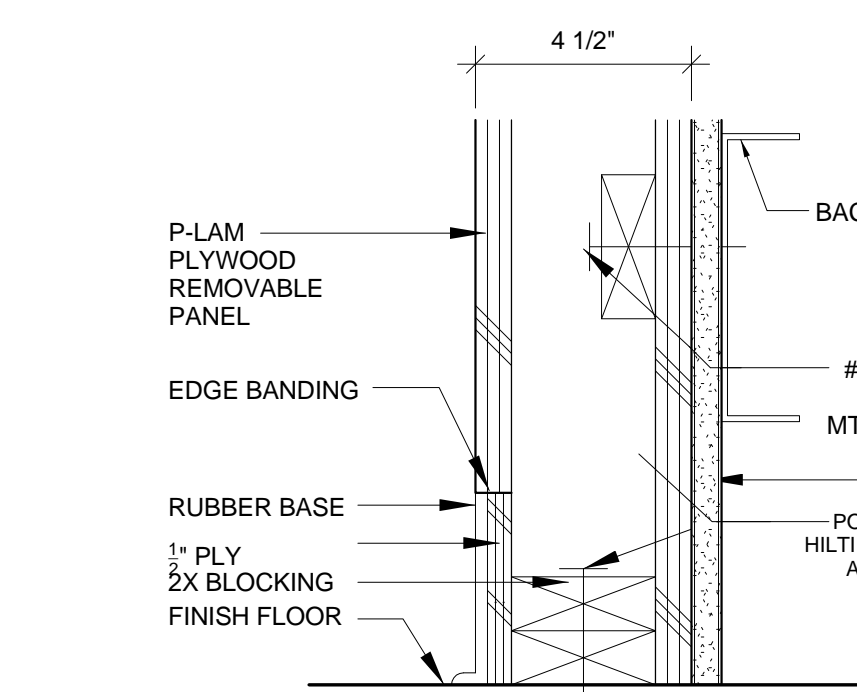


A. SILL

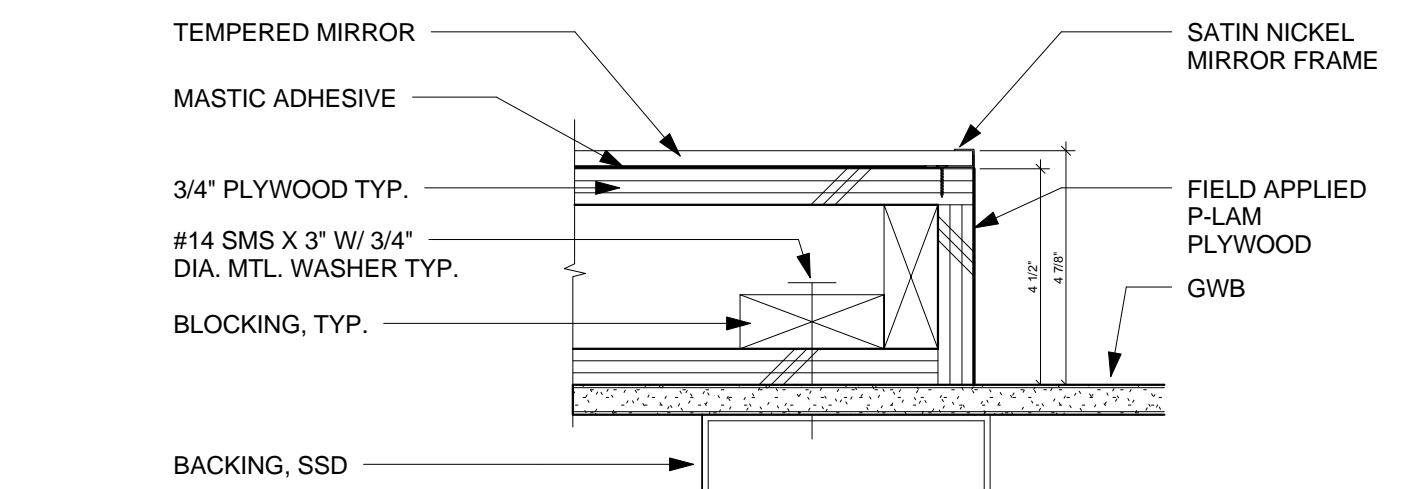
7 LOBBY DISPLAY CAB - HEAD /SILL
3\"/>



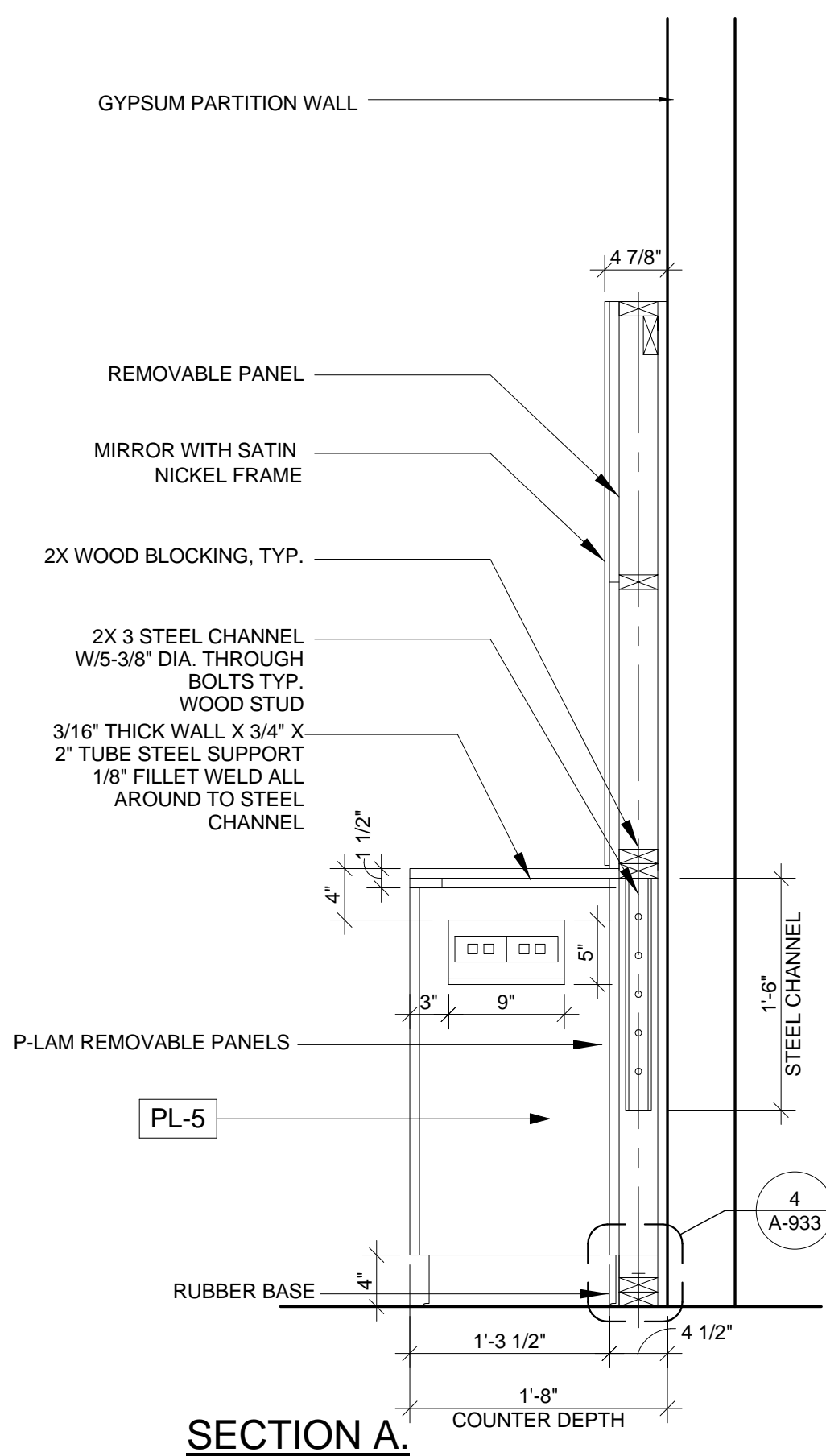
6 LOBBY DISPLAY CAB - SECTION
1\"/>



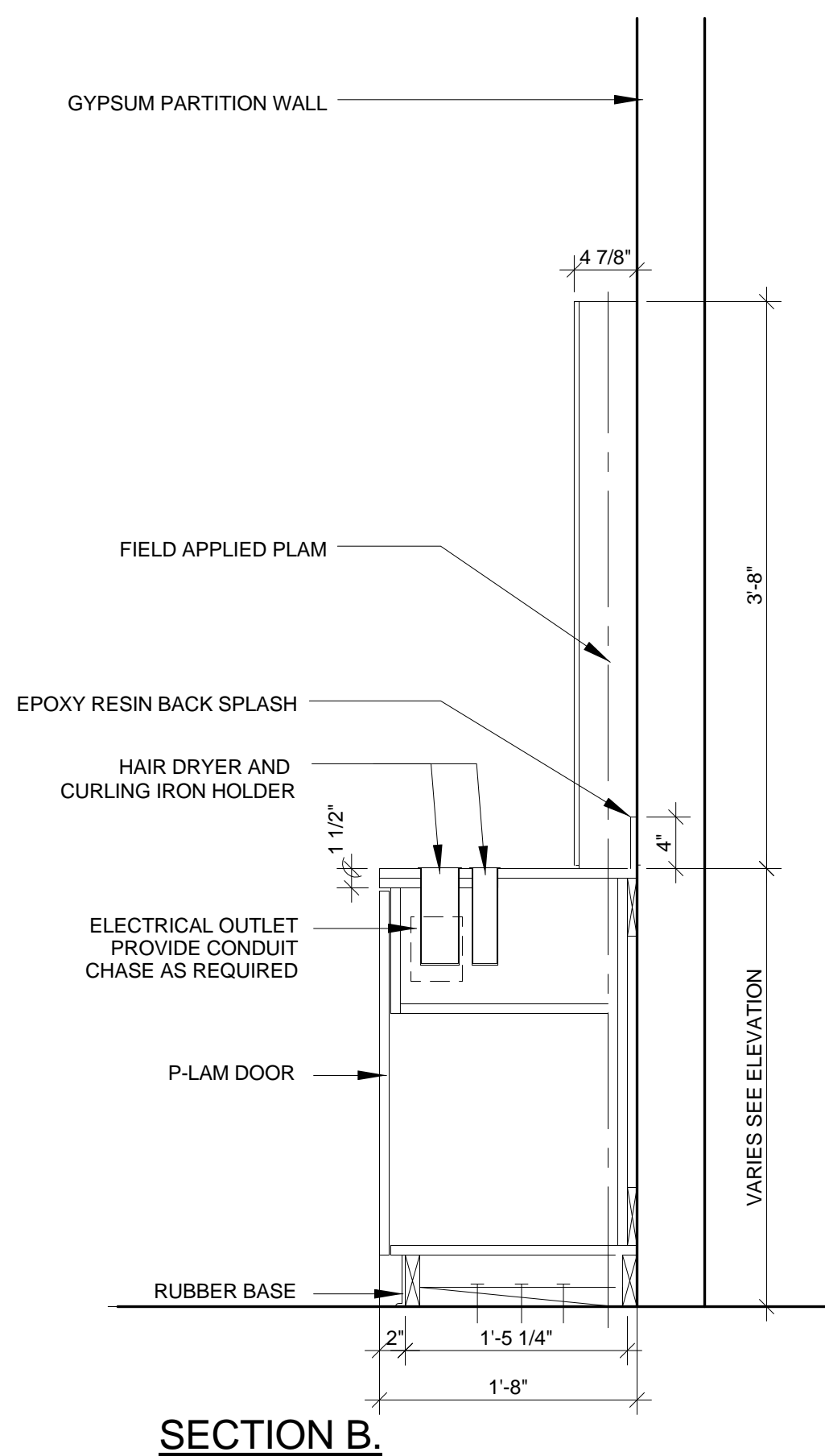
4 WALL STATION - BASE ANCHORAGE
3\"/>



3 MIRROR ATTACHMENT - PLAN
3\"/>



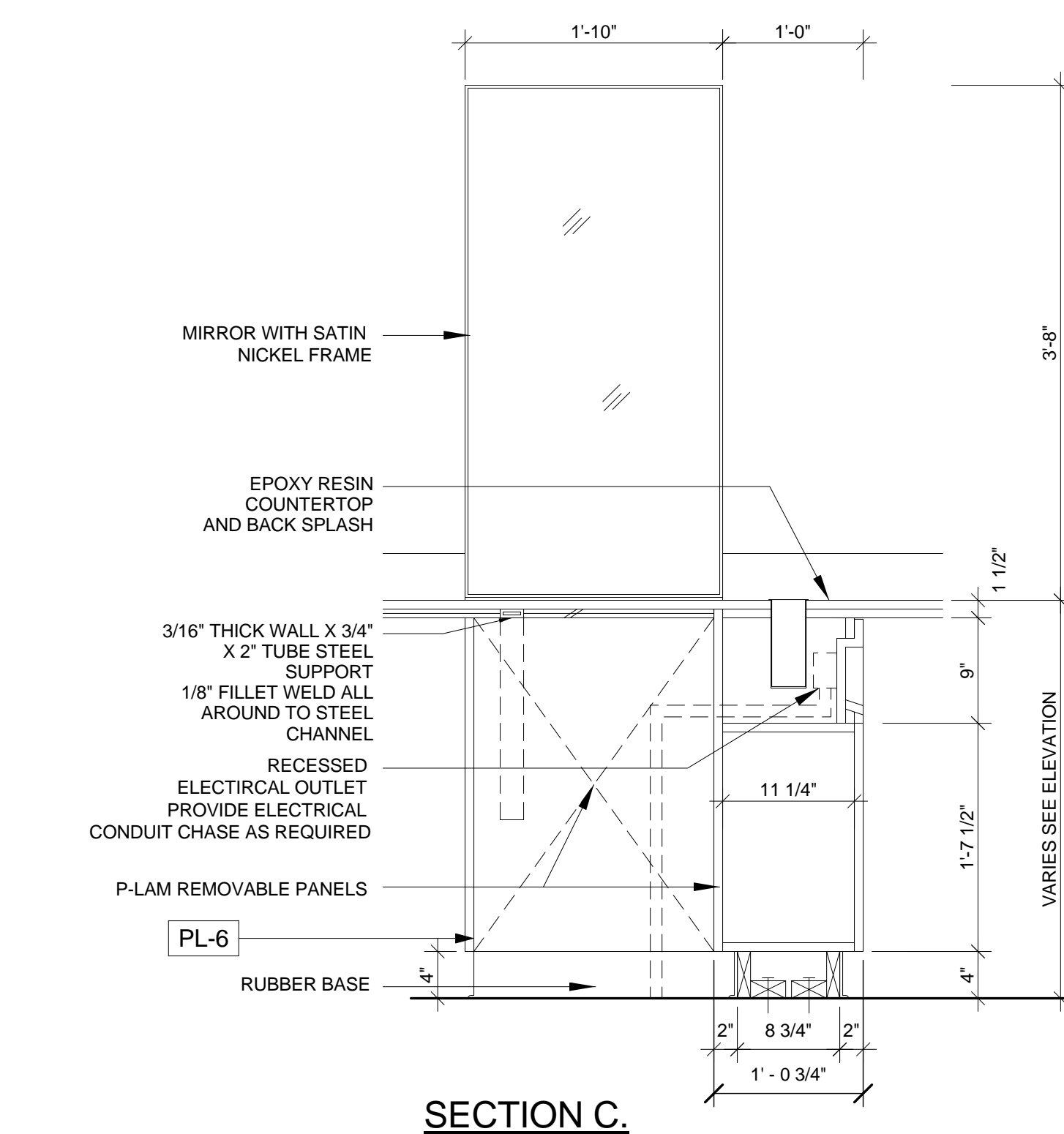
SECTION A.



SECTION B.

KEY NOTES

- PL-1 REFER TO FINISH SCHEDULE 090020 FOR ADDITIONAL NOTES AND INFORMATION.
- FINISH TYPE

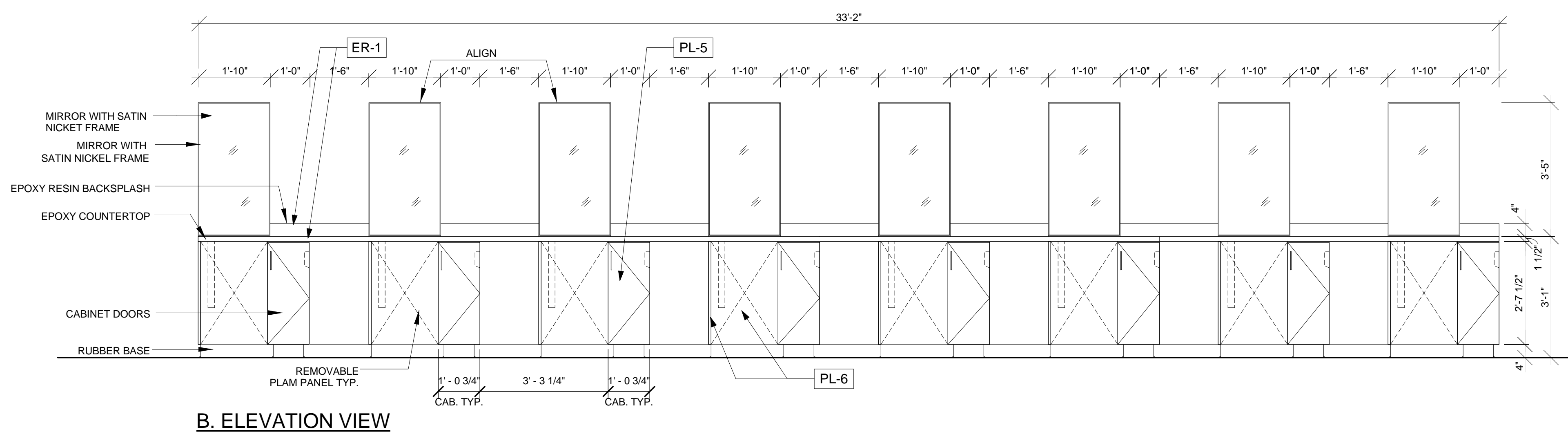


SECTION C.

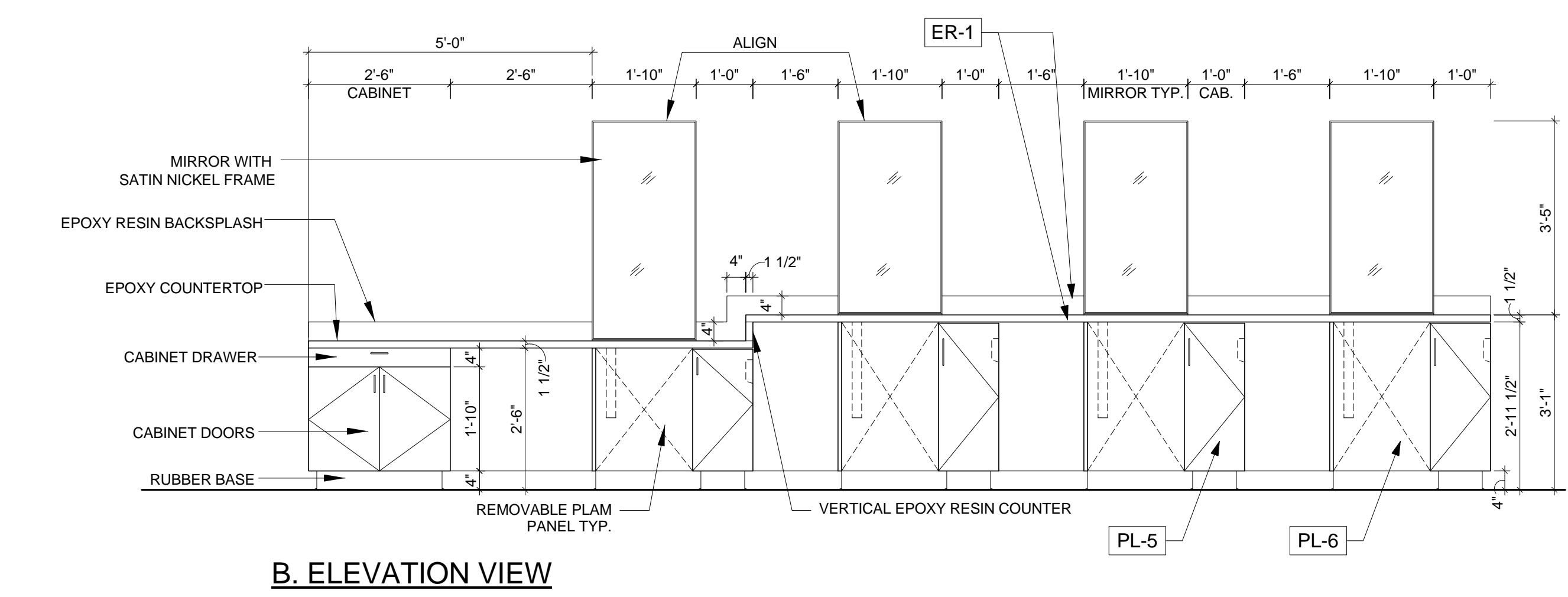
5 WALL STATION - SECTIONS
1\"/>

4 WALL STATION - BASE ANCHORAGE
3\"/>

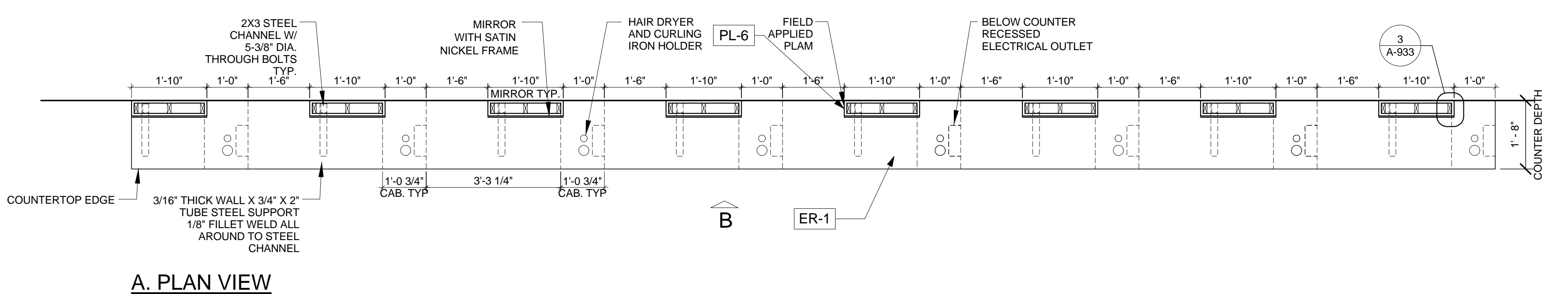
3 MIRROR ATTACHMENT - PLAN
3\"/>



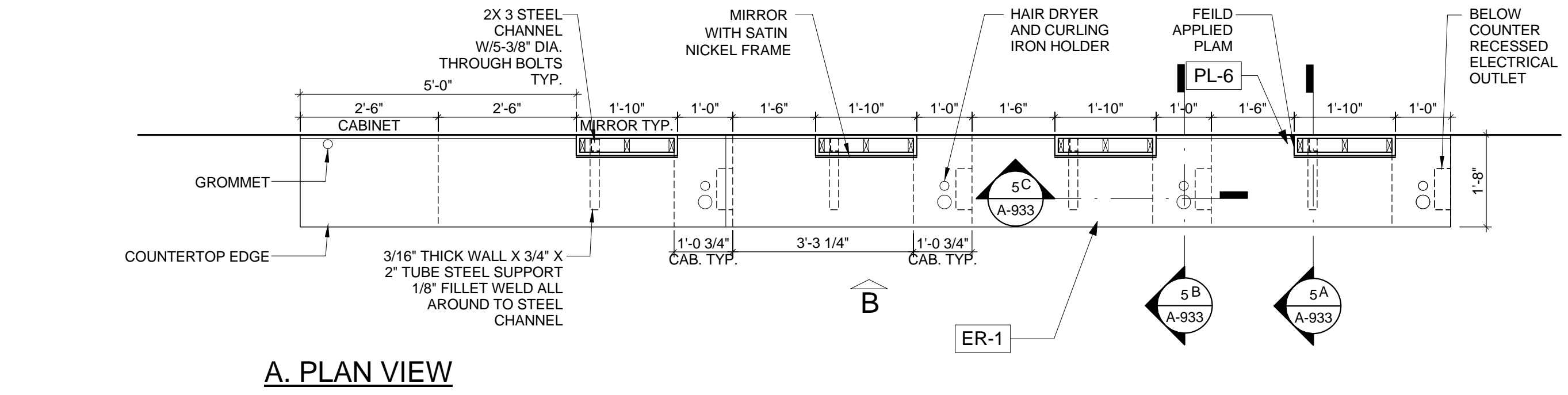
B. ELEVATION VIEW



B. ELEVATION VIEW



A. PLAN VIEW



A. PLAN VIEW

2 HAIR LAB WALL STATIONS - FRESHMAN
1/2\"/>

1 WALL STATIONS - SALON
1/2\"/>