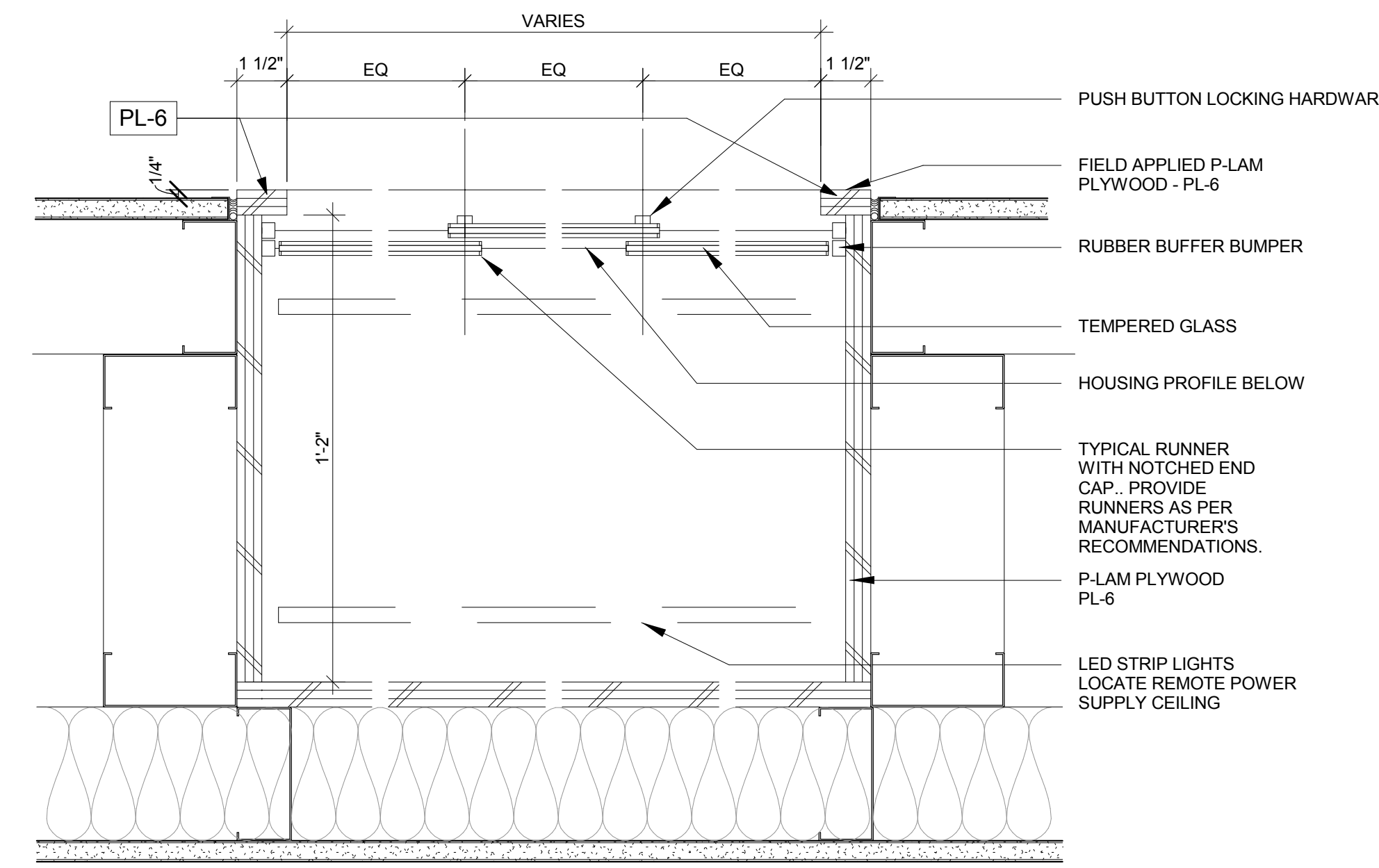
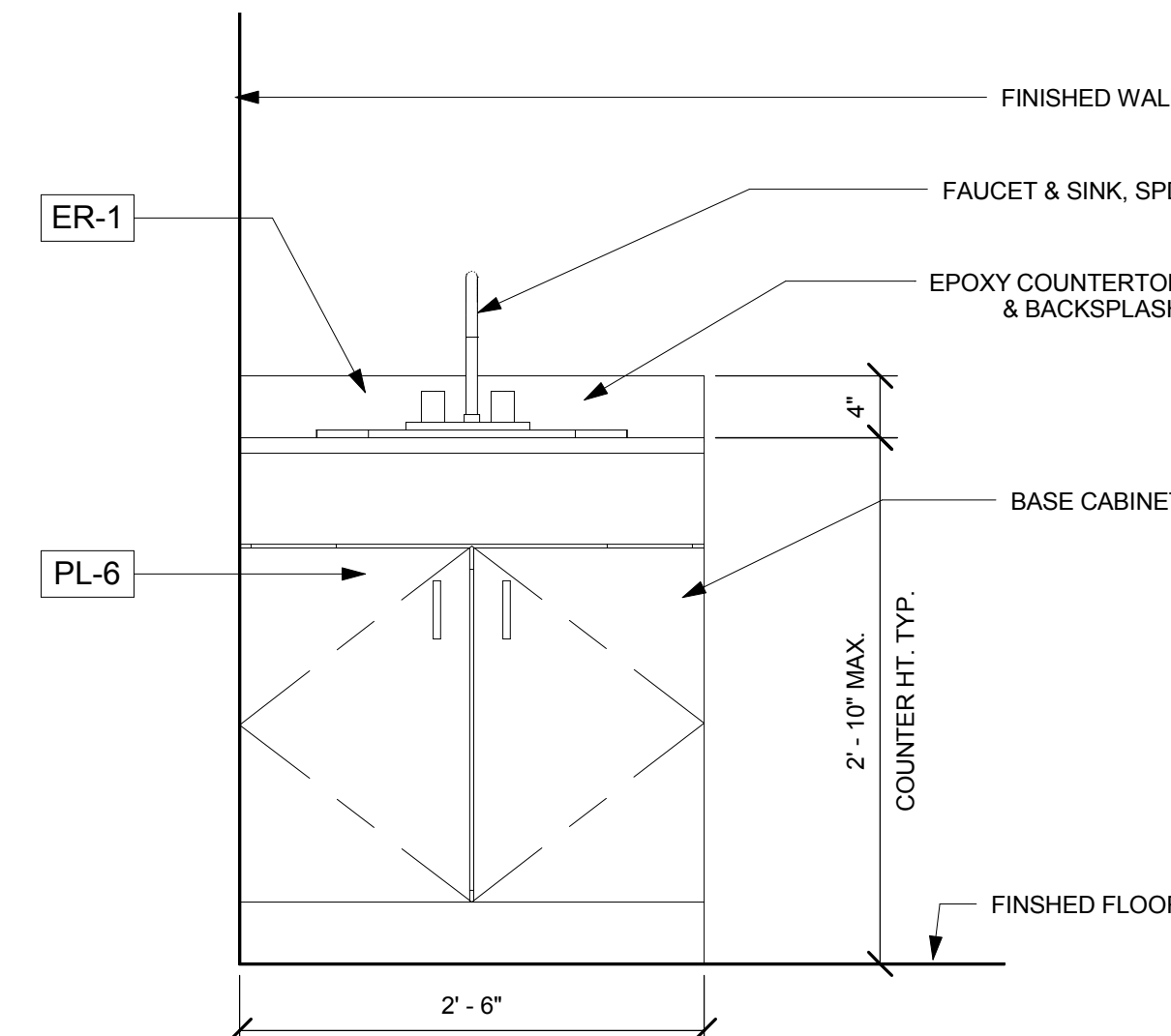


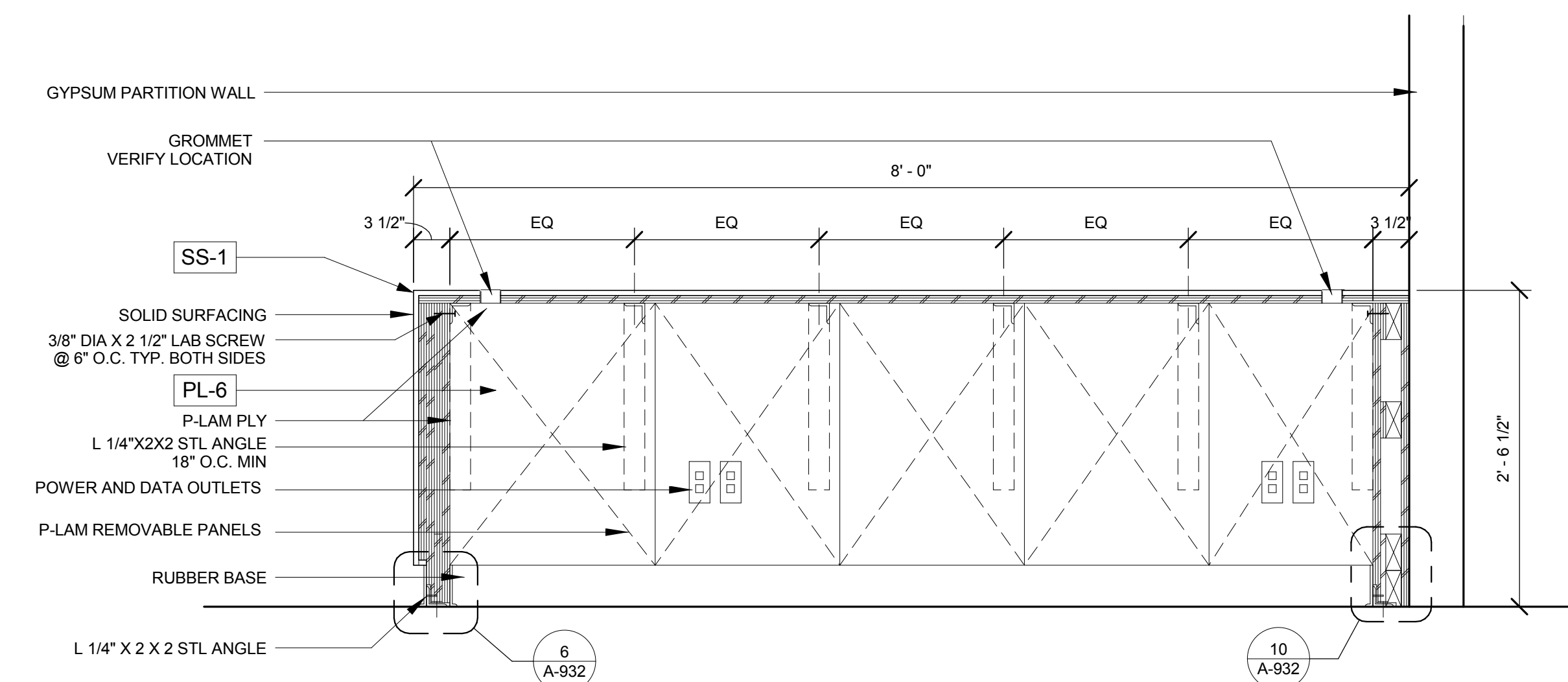
11 DISPLAY CABINET - SECTION
3" = 1'-0"



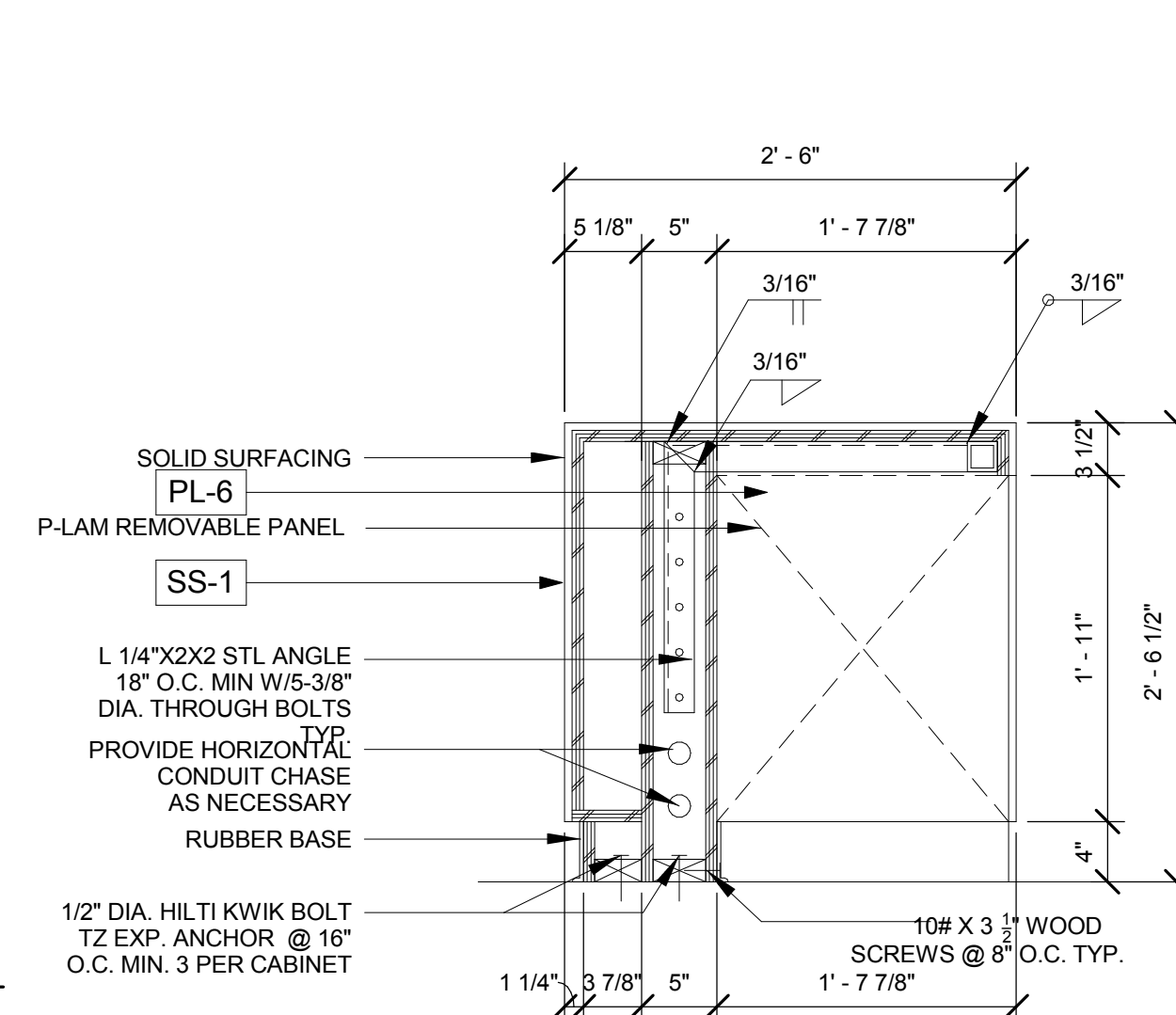
13 DISPLAY CABINET - PLAN
3" = 1'-0"



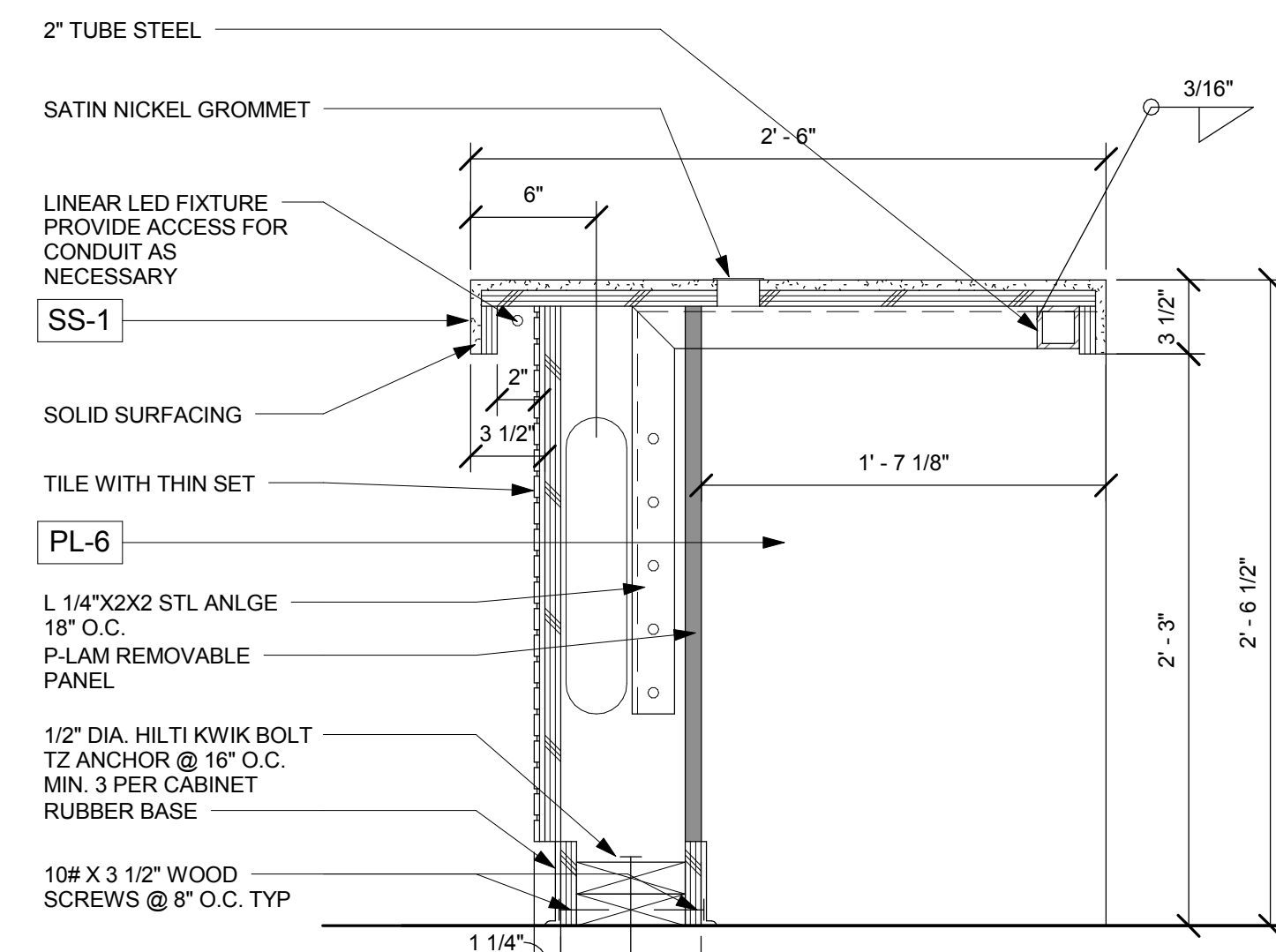
14 CLASSROOM SINK
1" = 1'-0"



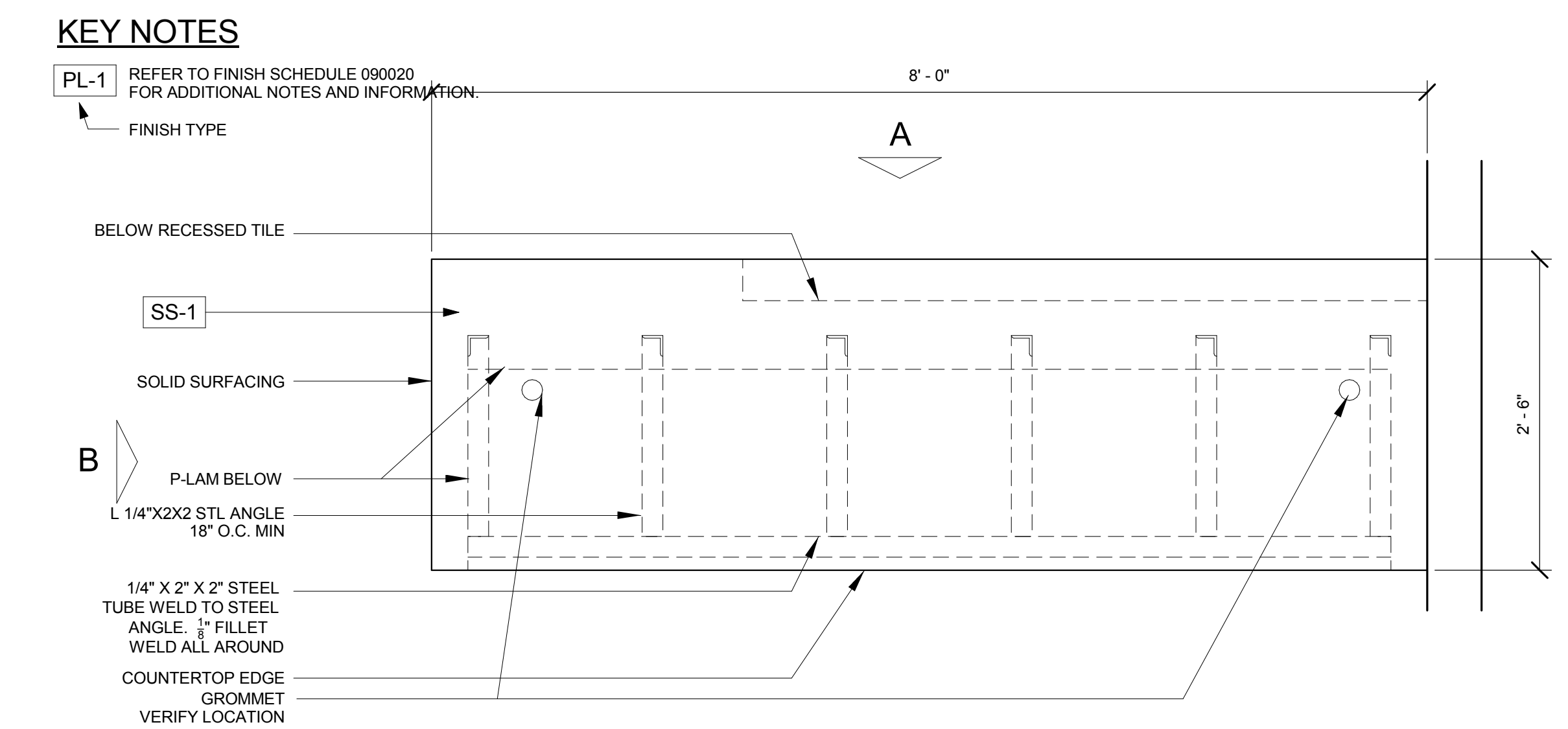
7 RECEPTION DESK - SECTIONS
1" = 1'-0"



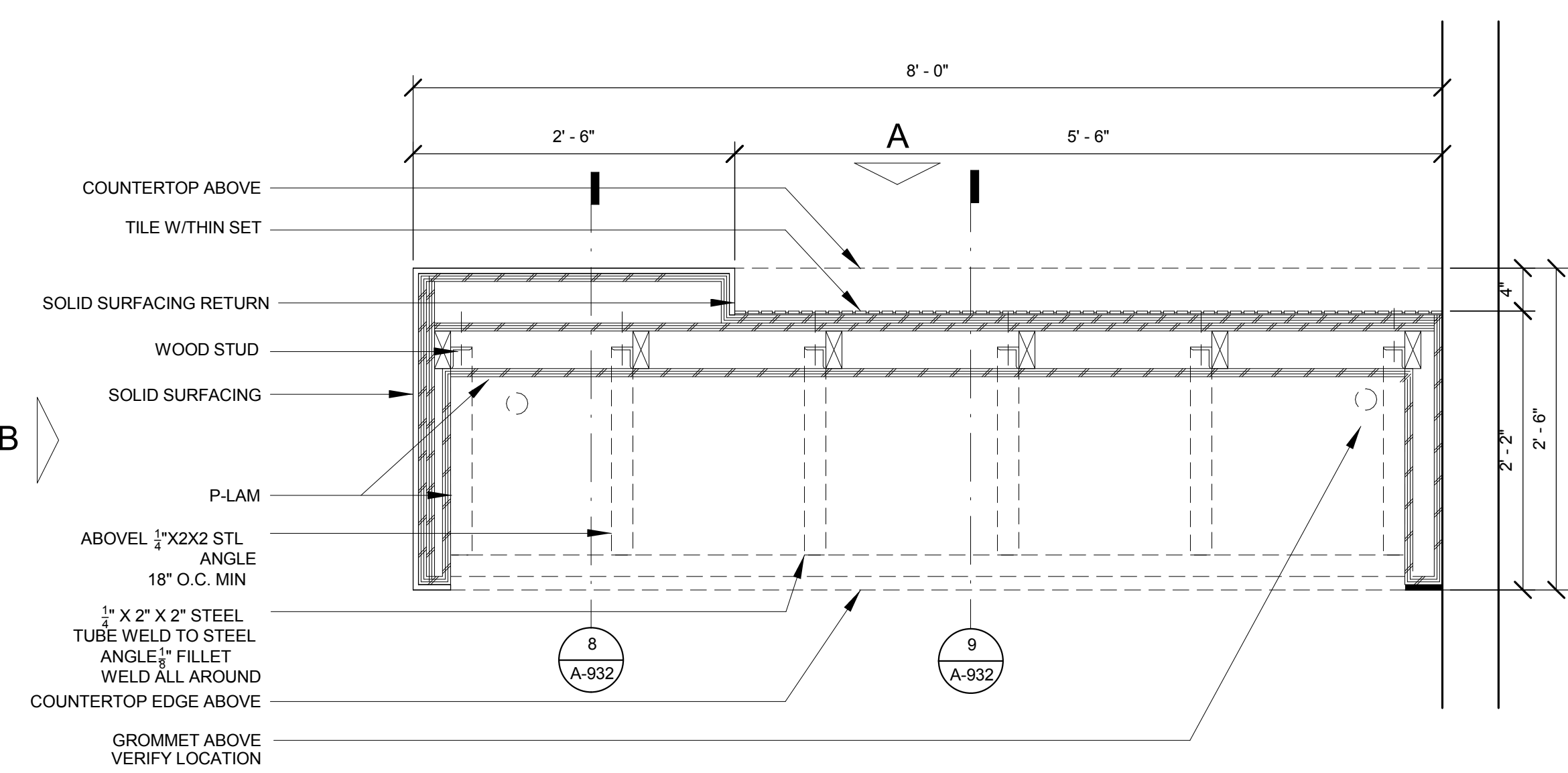
8 RECEPTION DESK SECTION 3
1" = 1'-0"



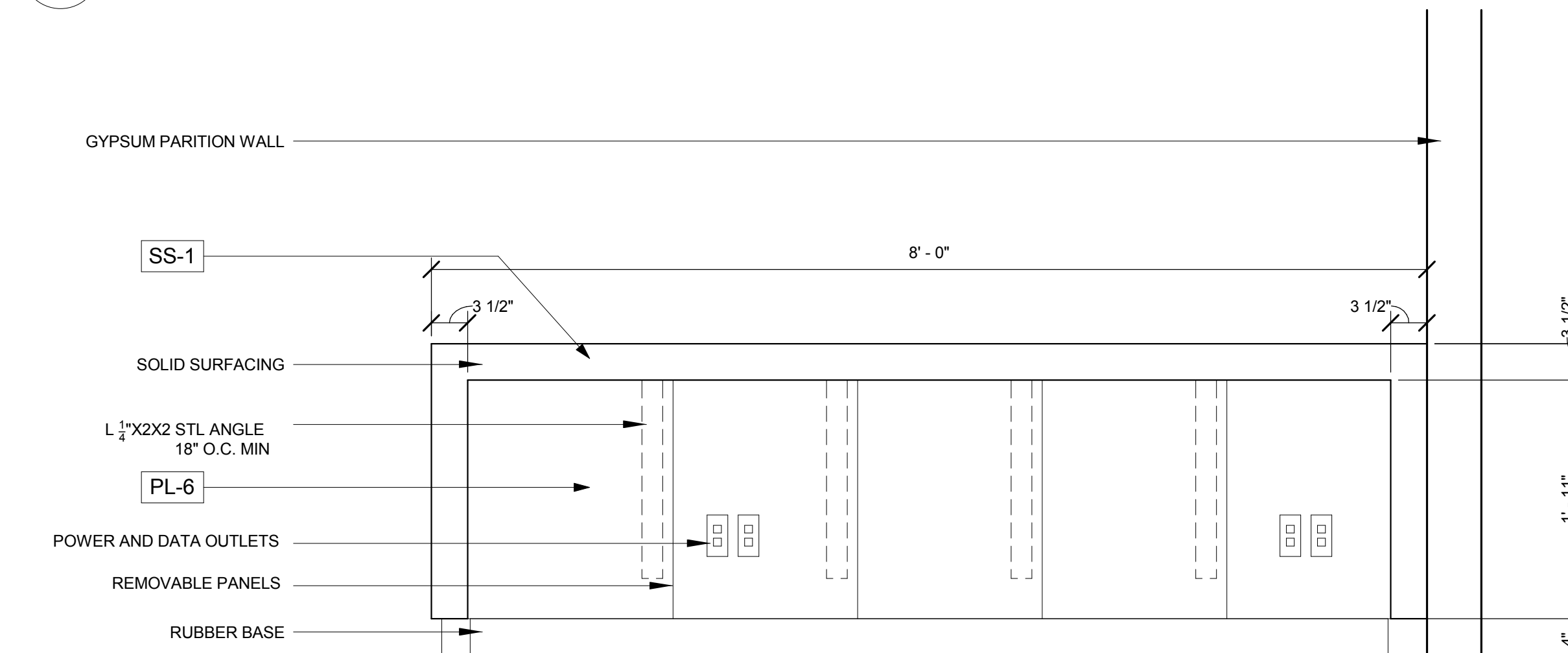
9 RECEPTION DESK - SECTION 2
1 1/2" = 1'-0"



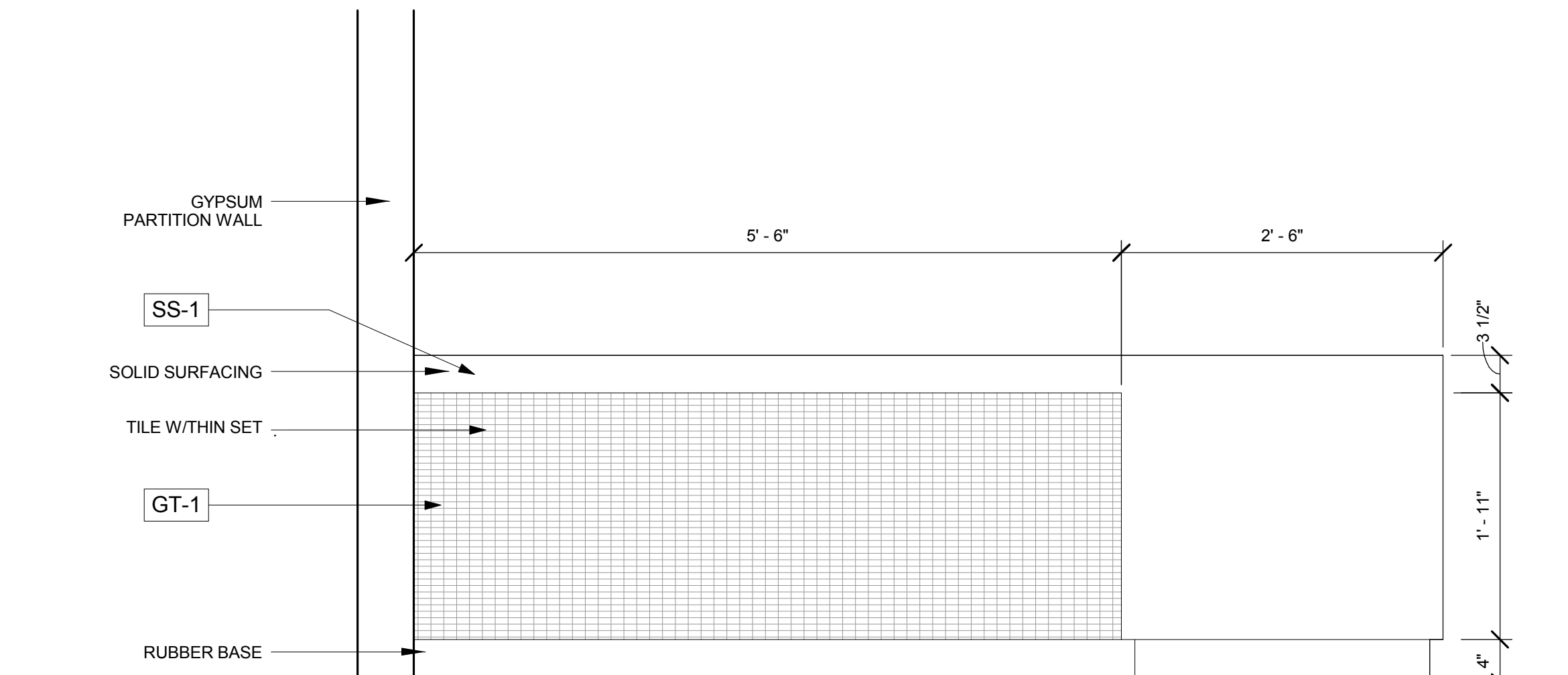
4 COUNTERTOP - PLAN
1" = 1'-0"



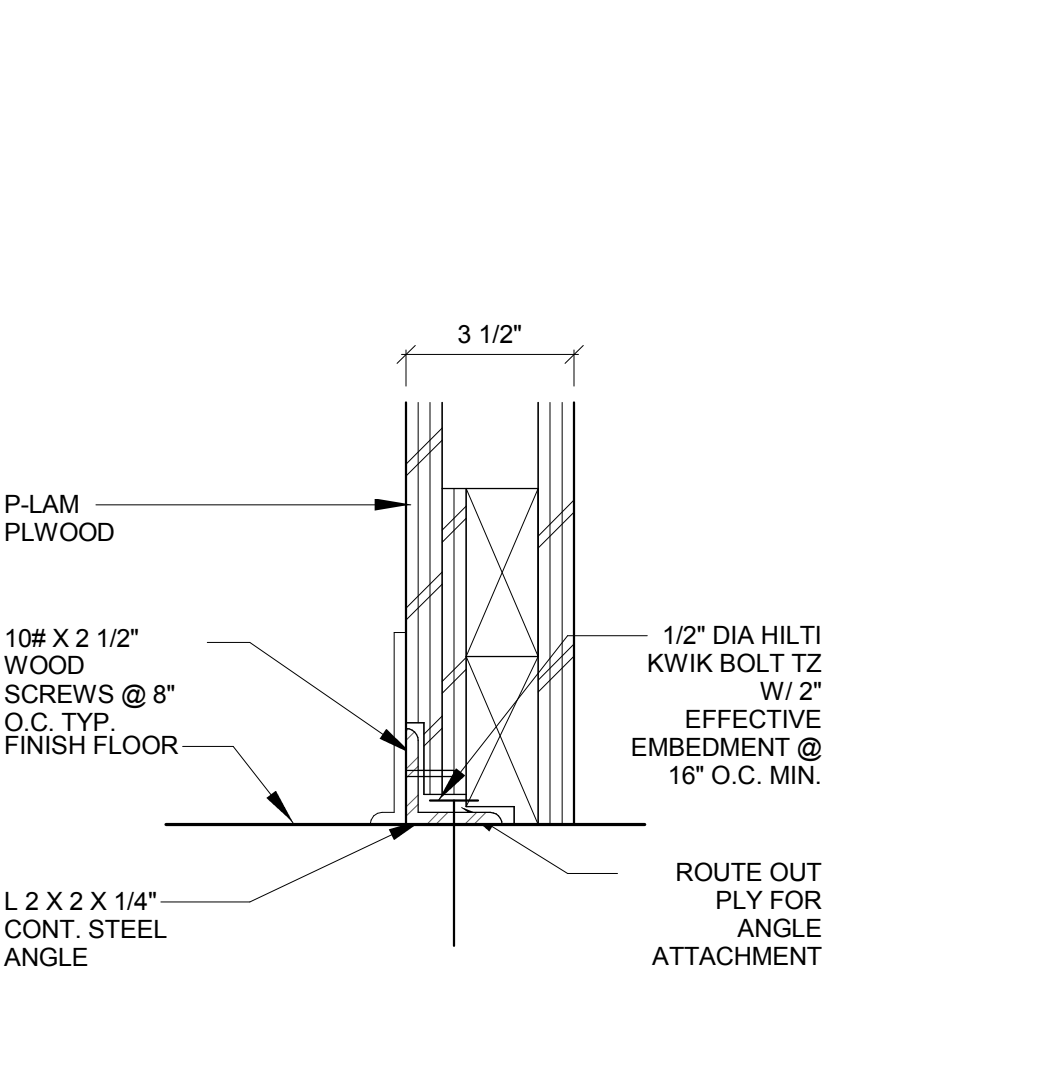
5 BELOW COUNTERTOP - HORIZONTAL SECTION
1" = 1'-0"



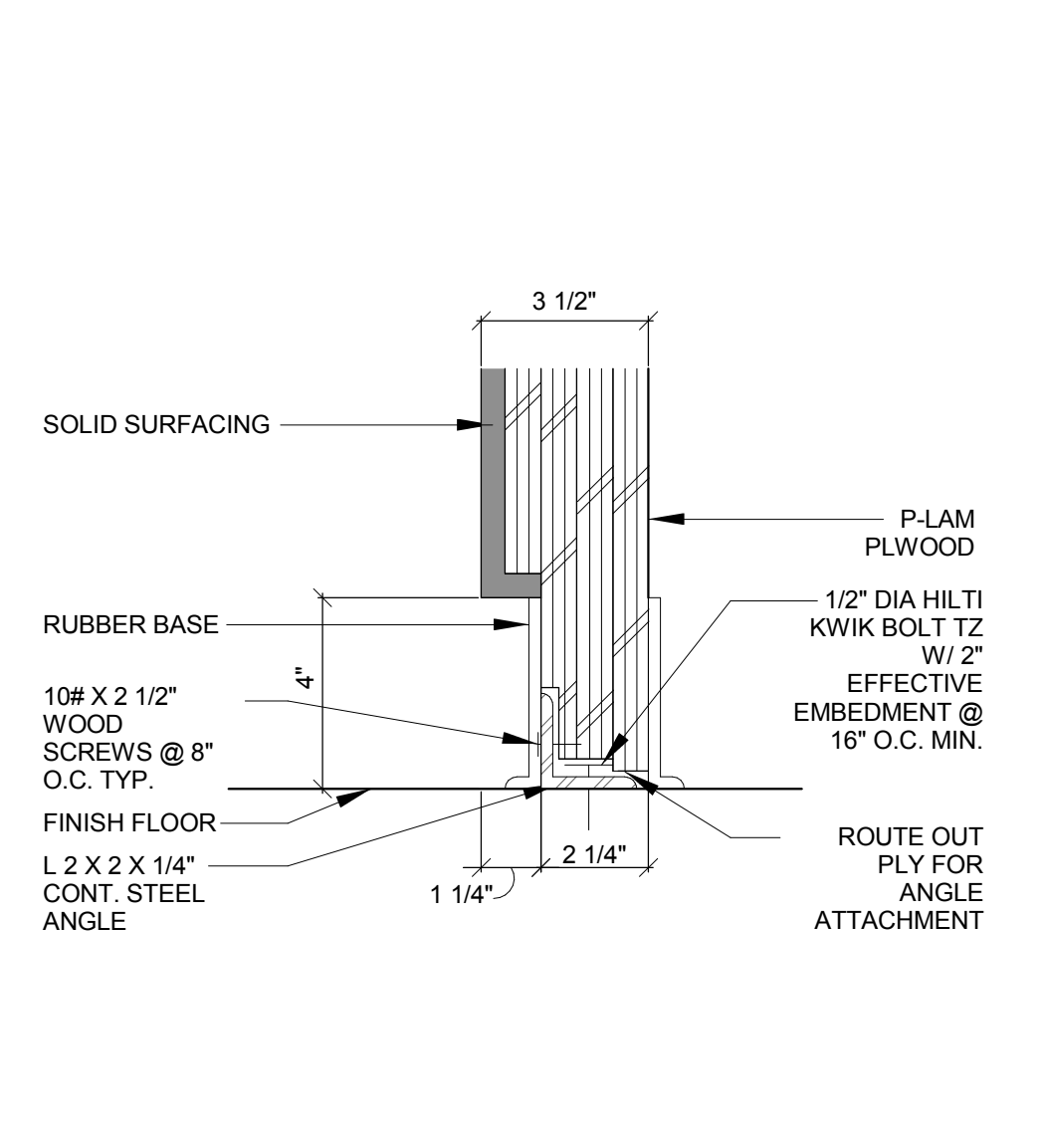
1 RECEPTION DESK - ELEVATION C
1" = 1'-0"



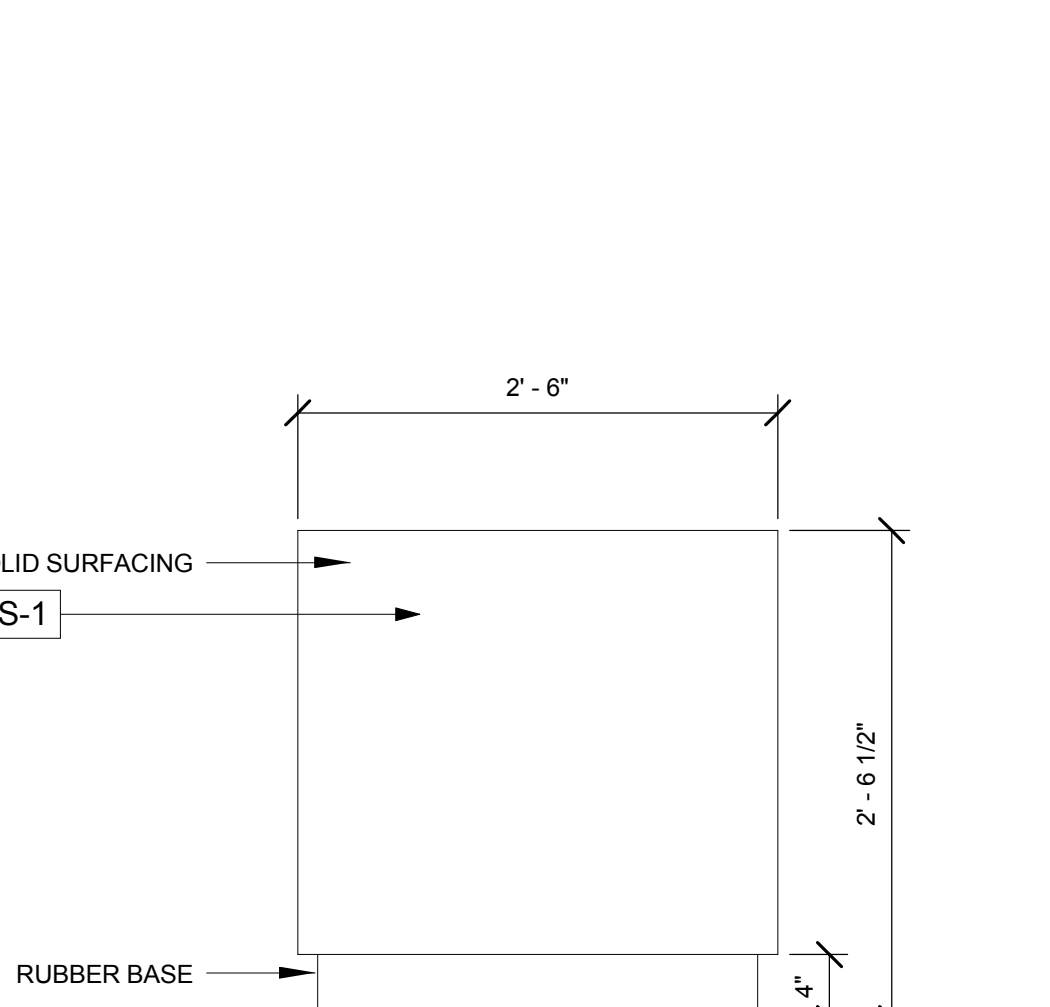
2 RECEPTION DESK - ELEVATION A
1" = 1'-0"



10 BASE ANCHORAGE - B
3" = 1'-0"



6 BASE ANCHORAGE - A
3" = 1'-0"



3 RECEPTION DESK - ELEVATION B
1" = 1'-0"