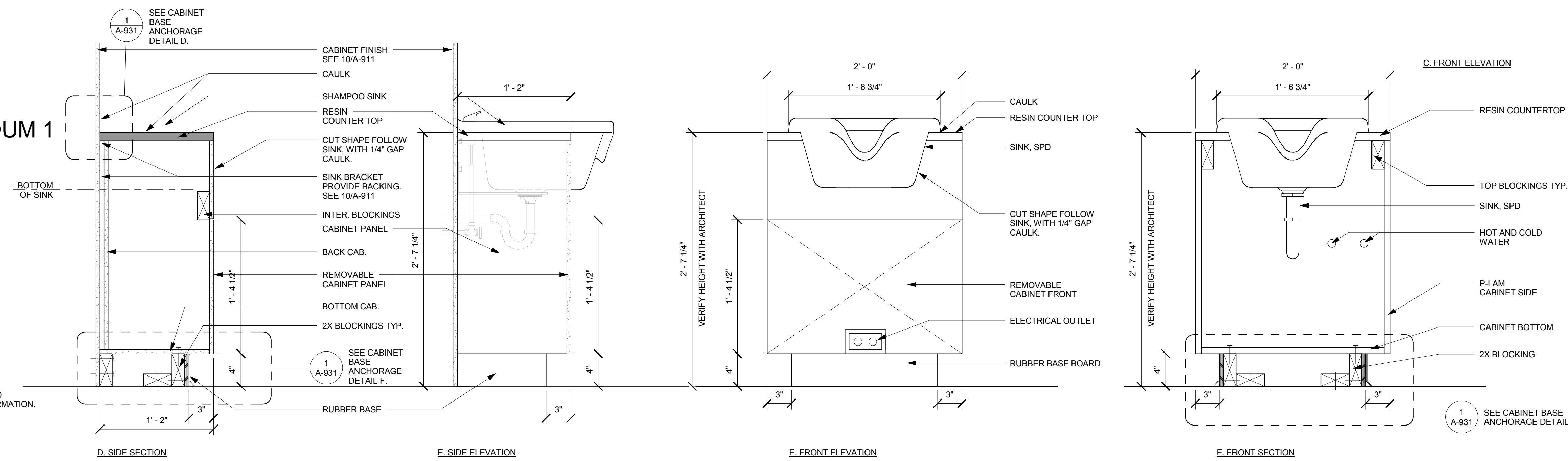
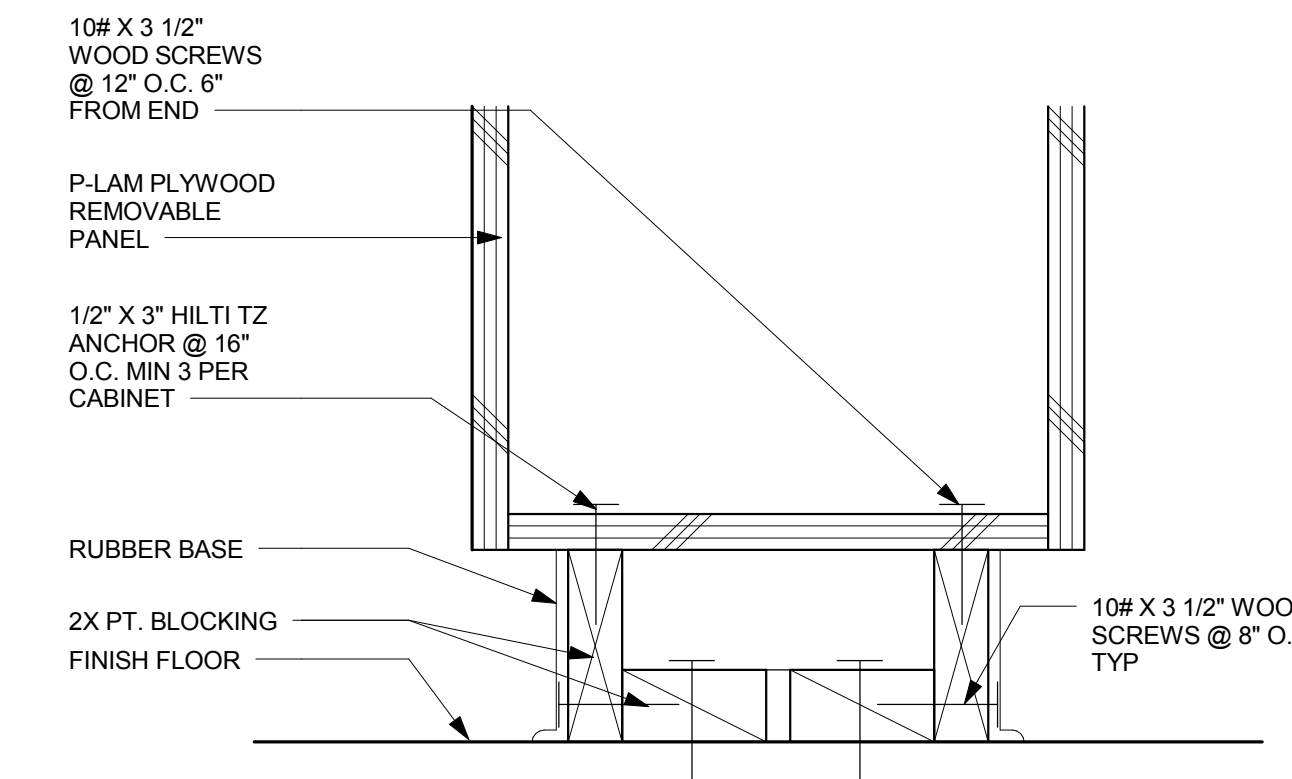


REF: A-930
2009.06.09
BID #5 ADDENDUM 1

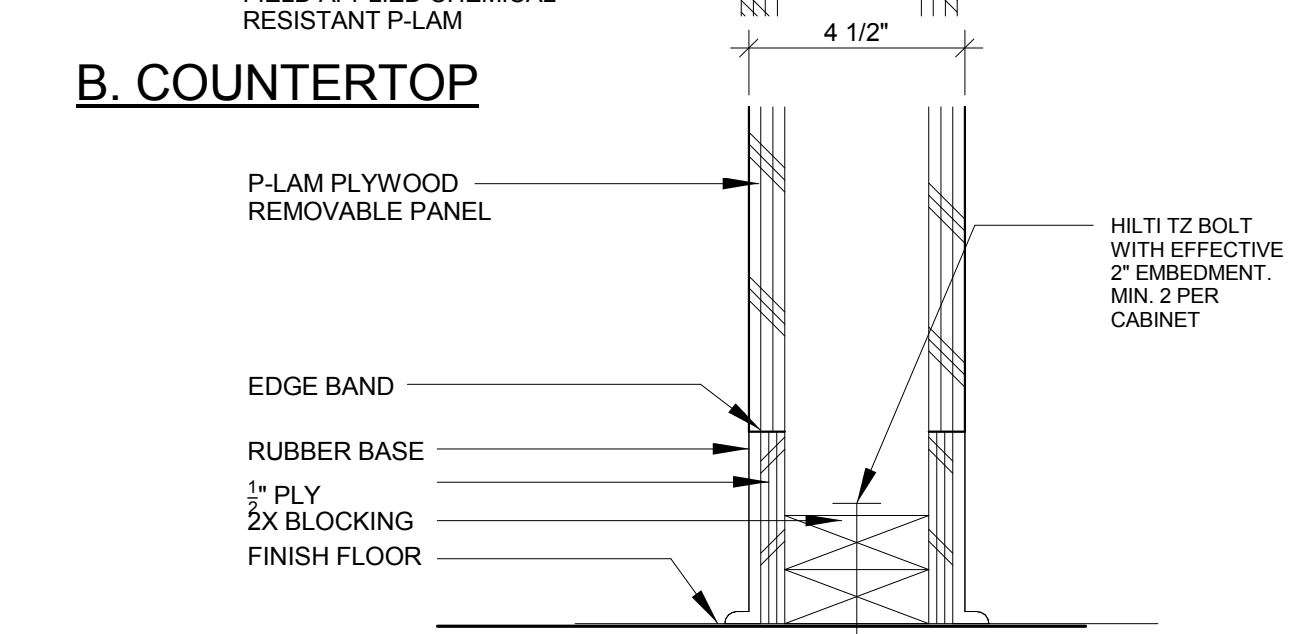
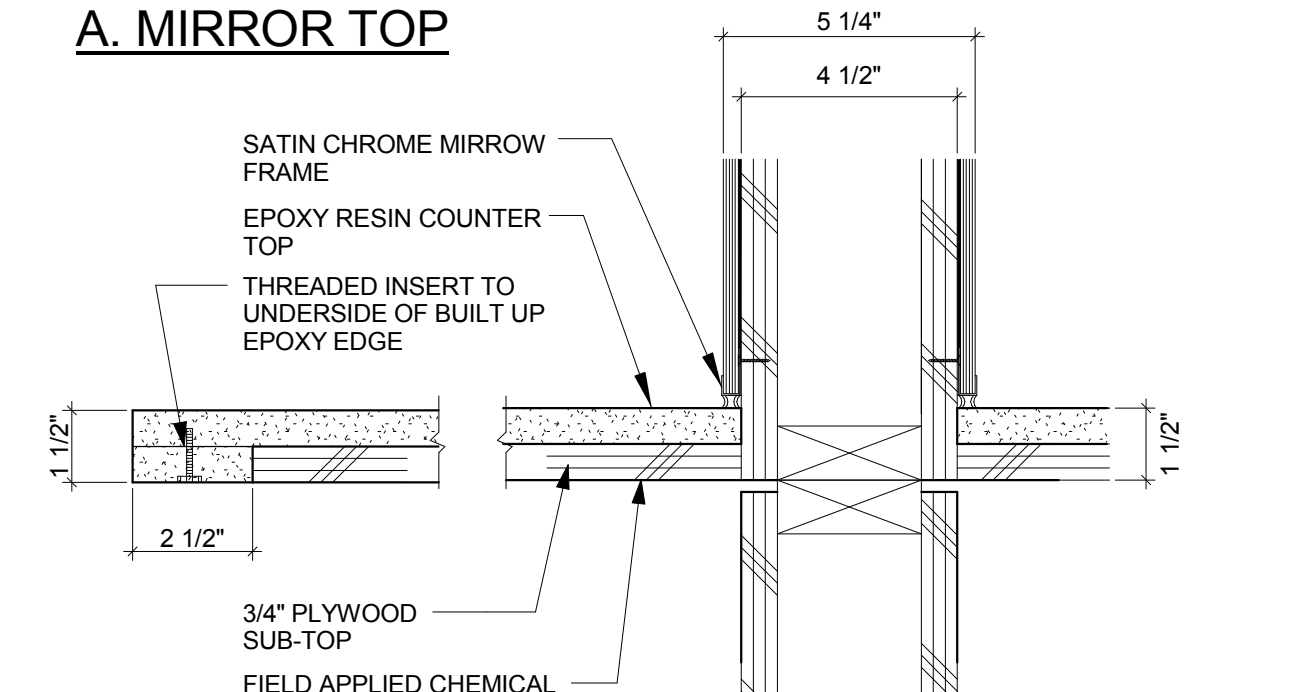
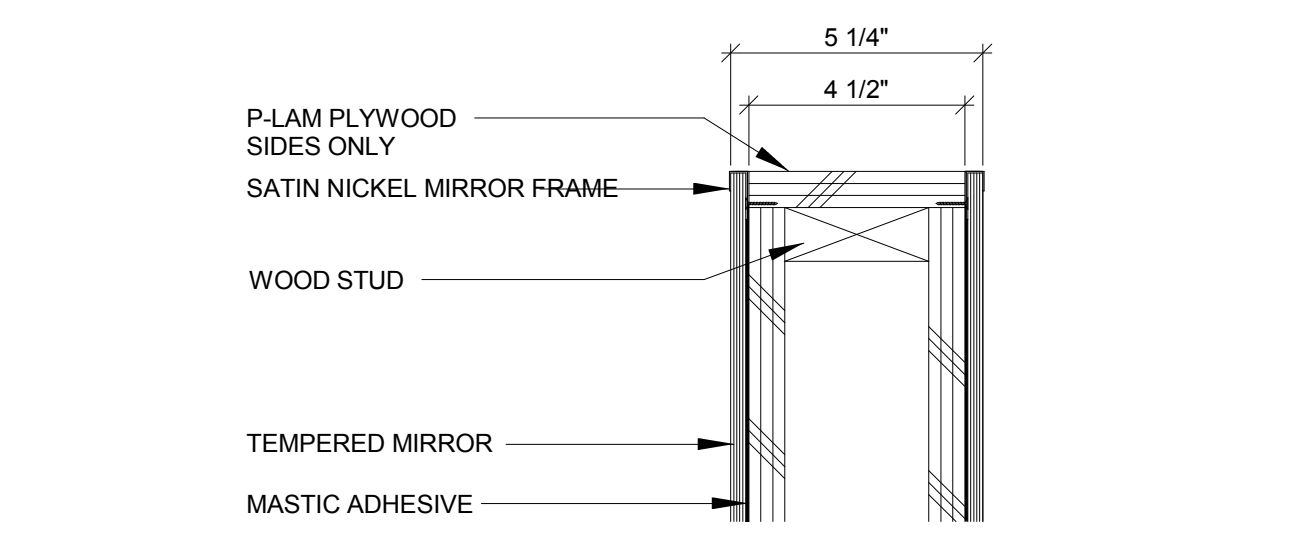
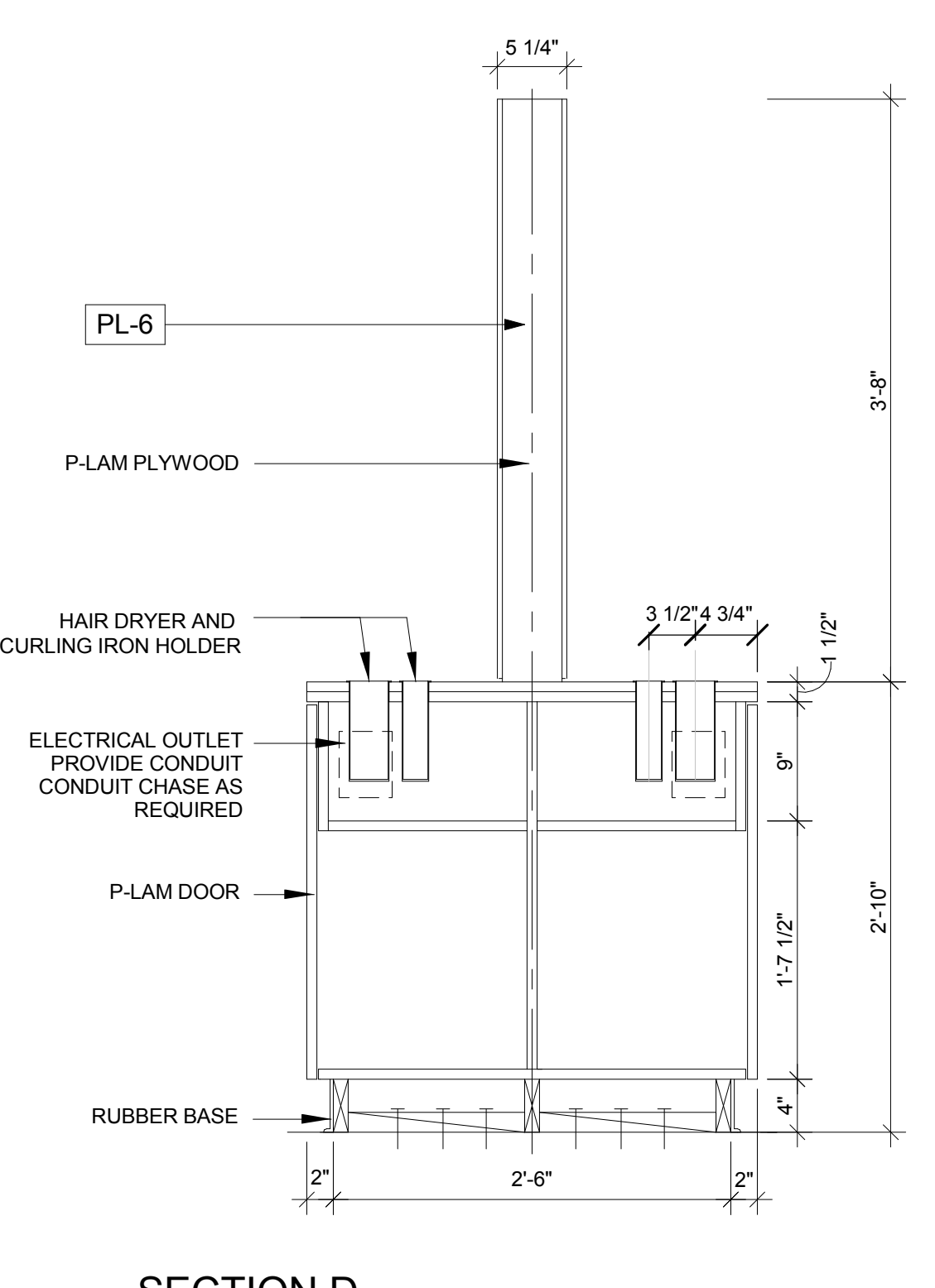
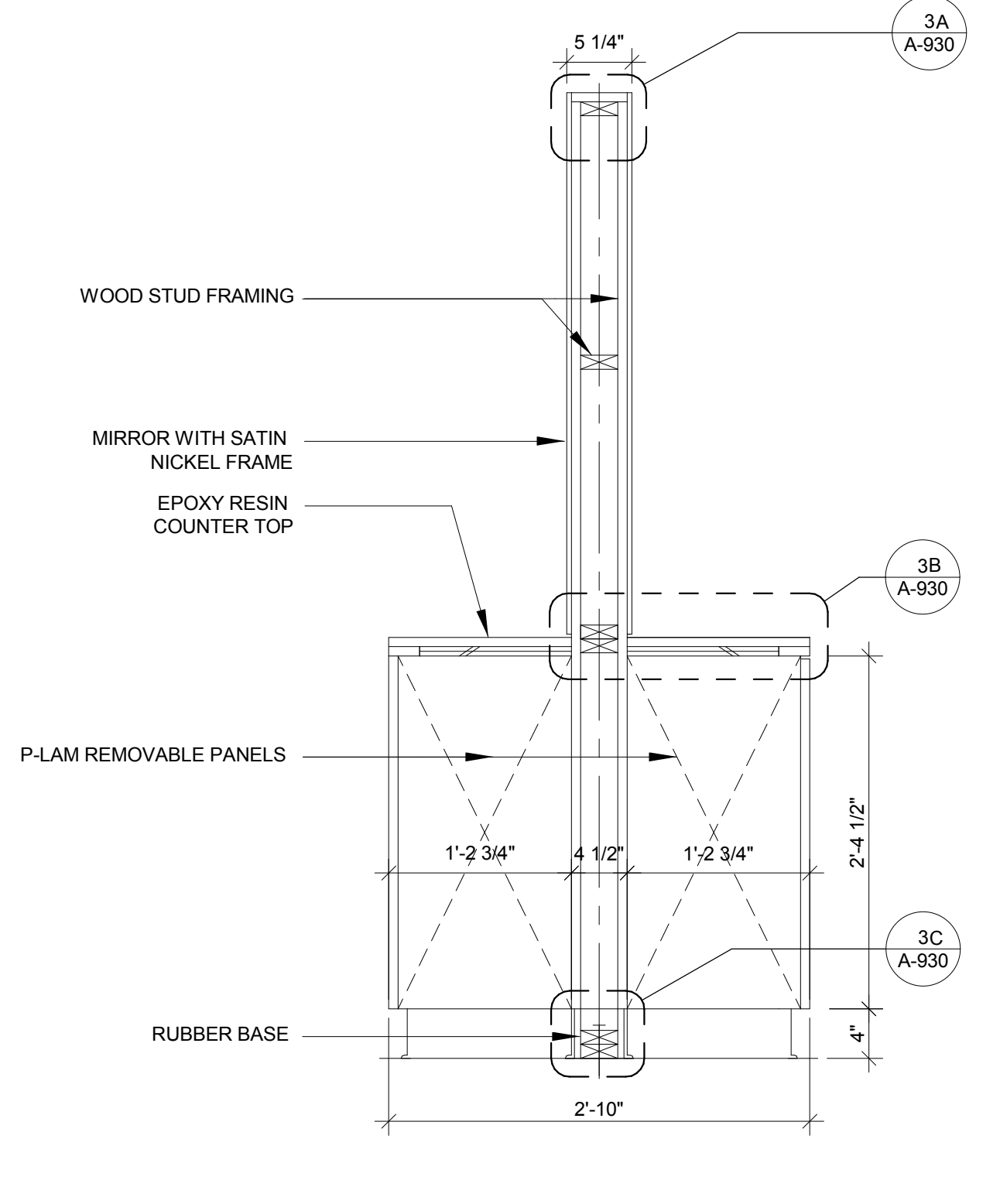
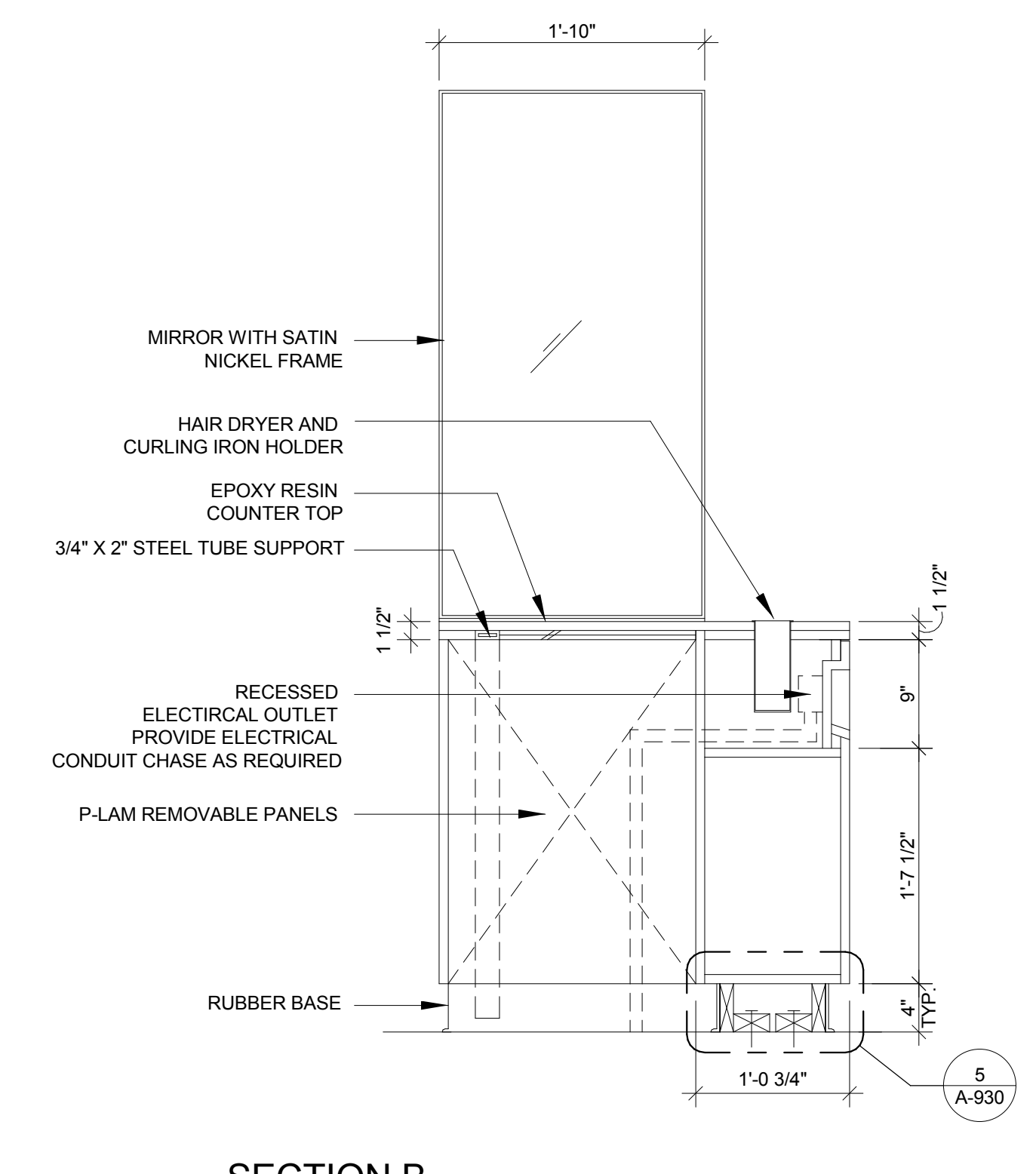
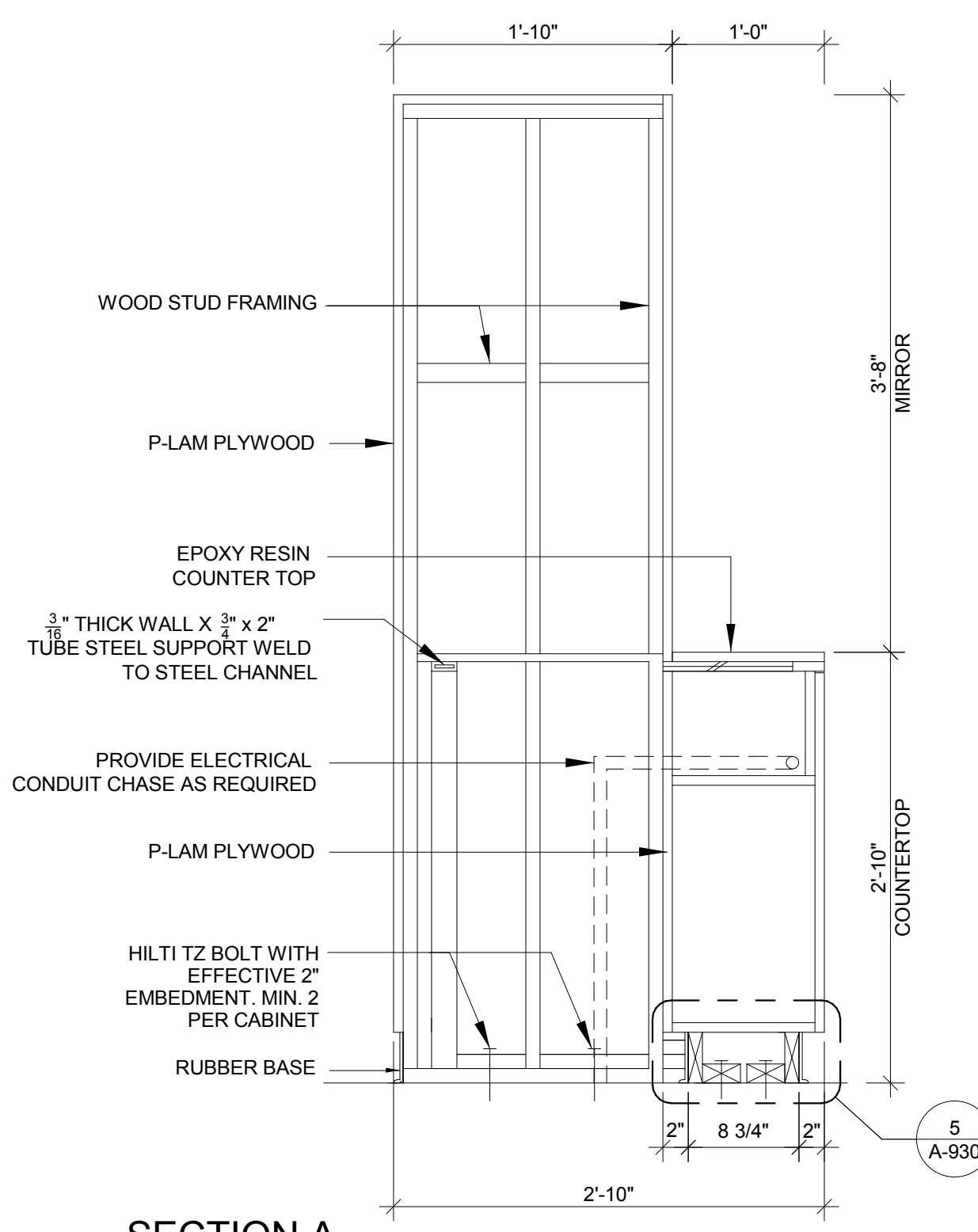
KEY NOTES
PL-1 REFER TO FINISH SCHEDULE 090020 FOR ADDITIONAL NOTES AND INFORMATION.
FINISH TYPE



5 HAIR STATION - CAB. BASE ANCHOR
3" = 1'-0"

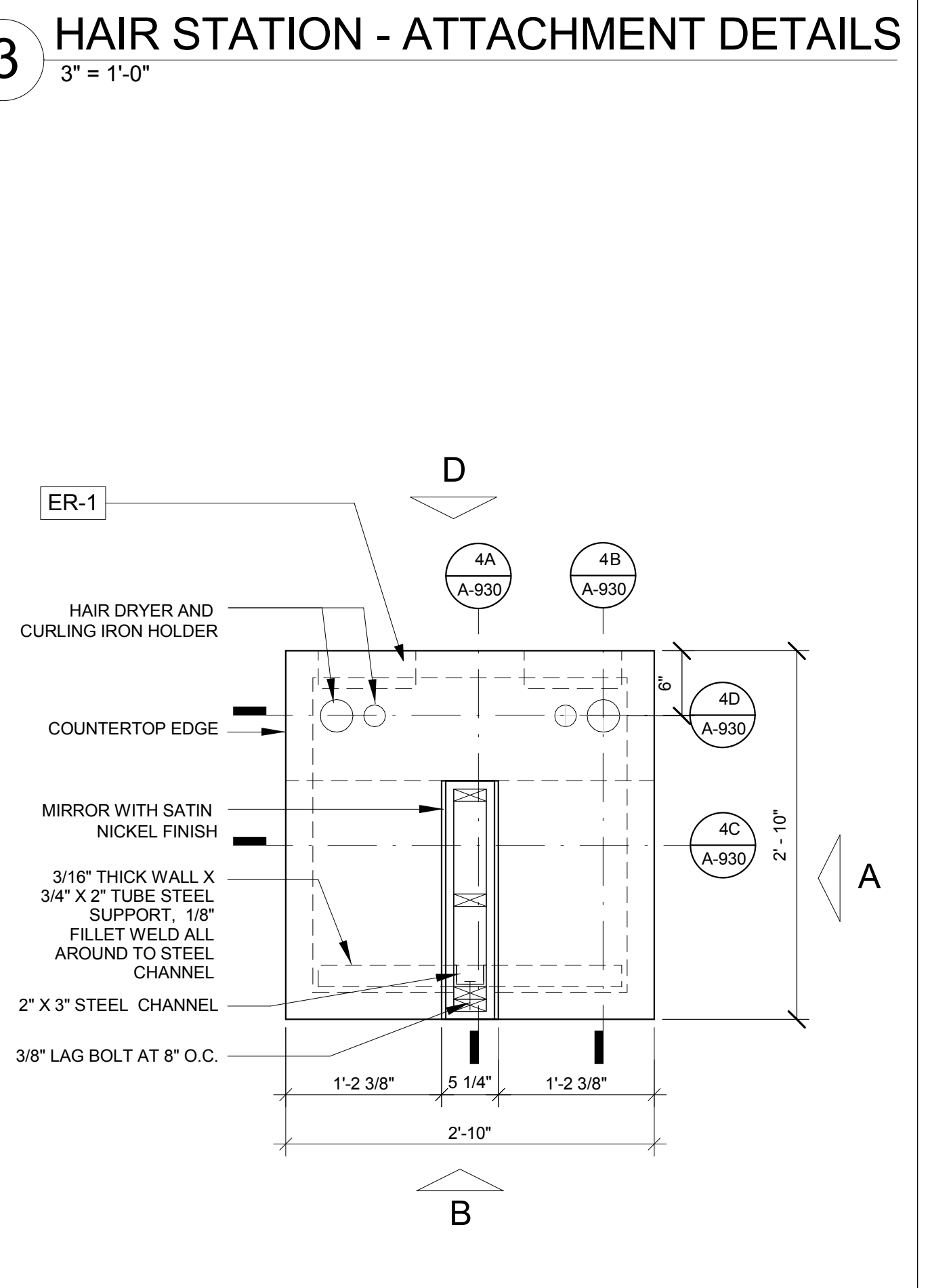
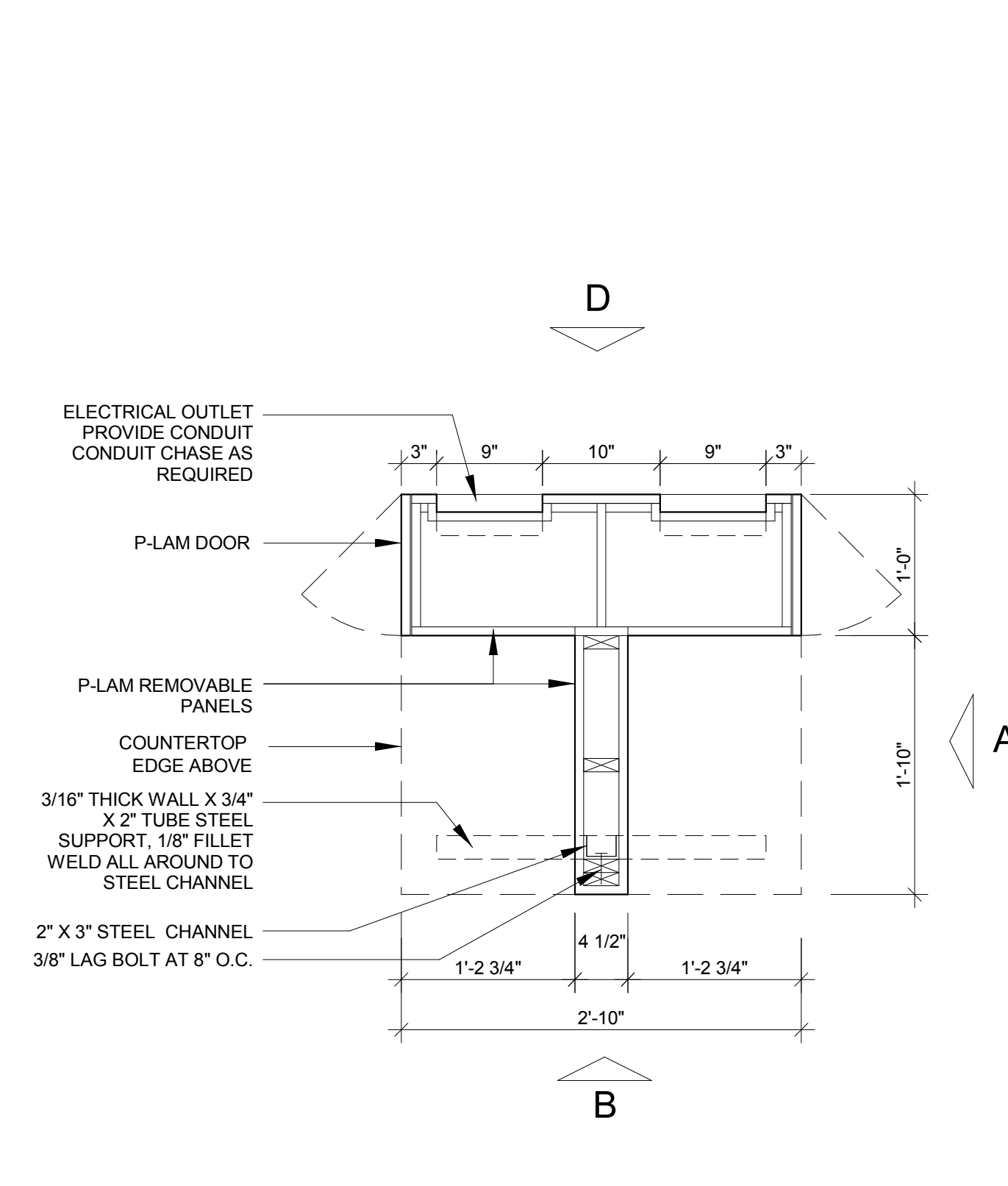
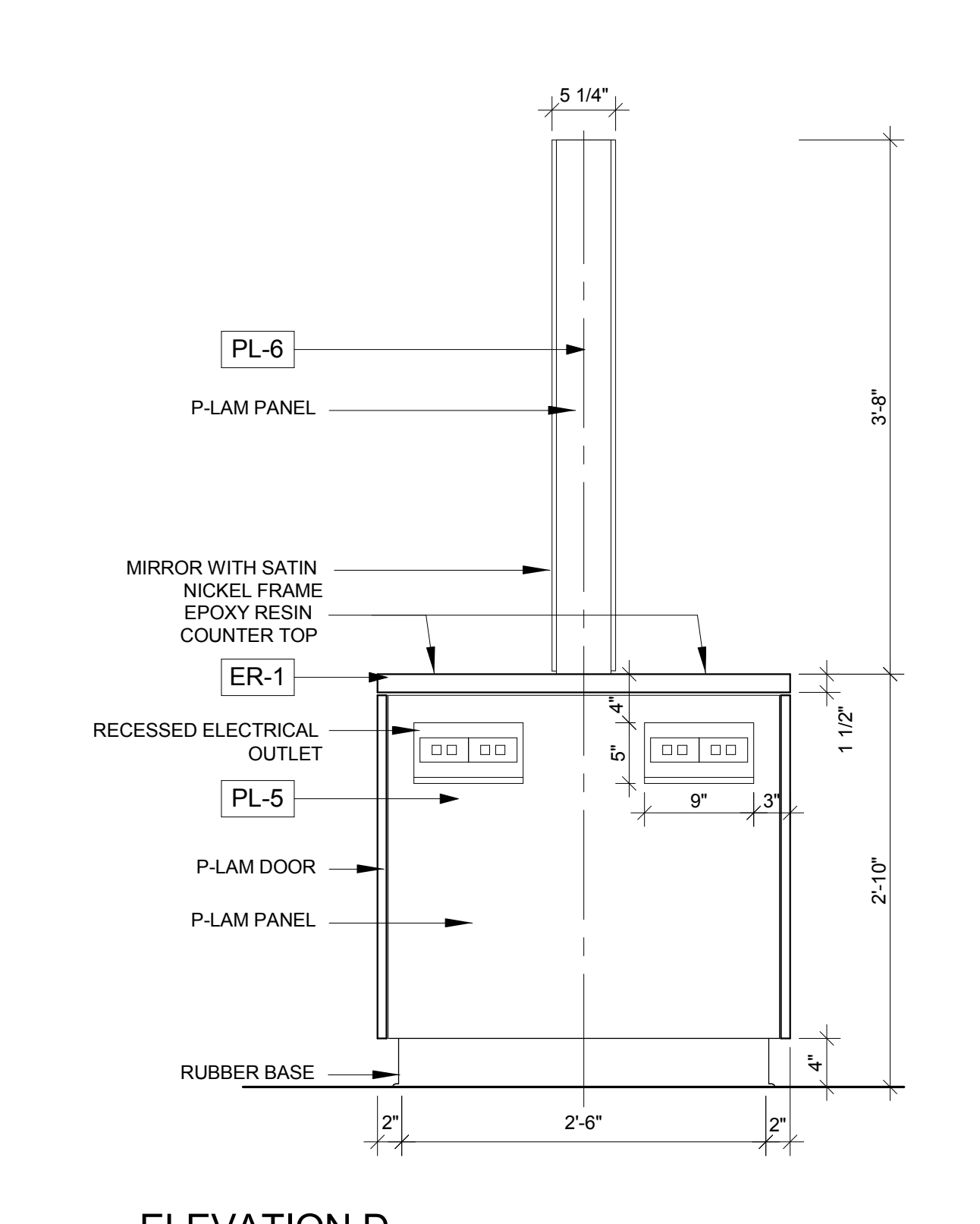
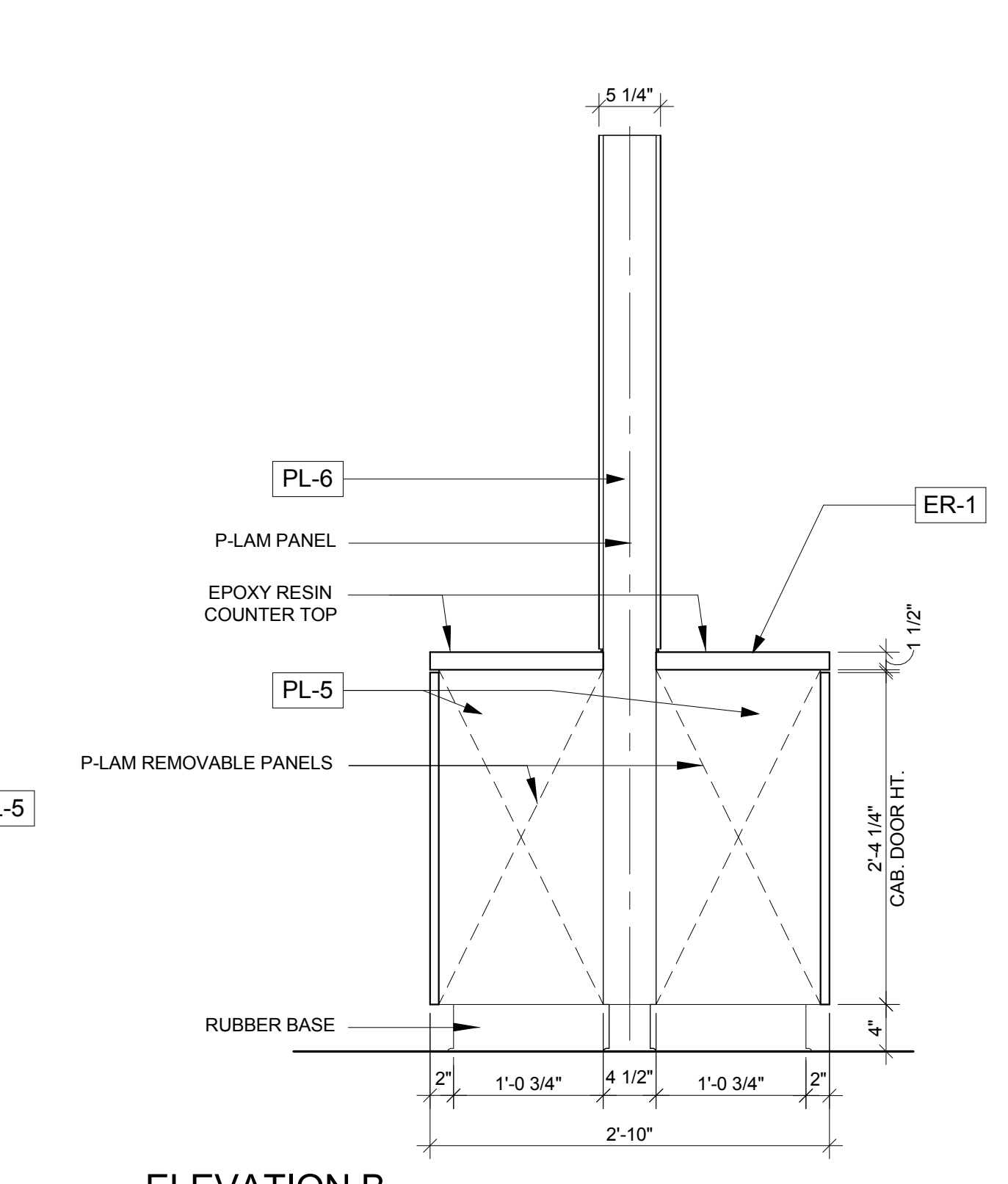
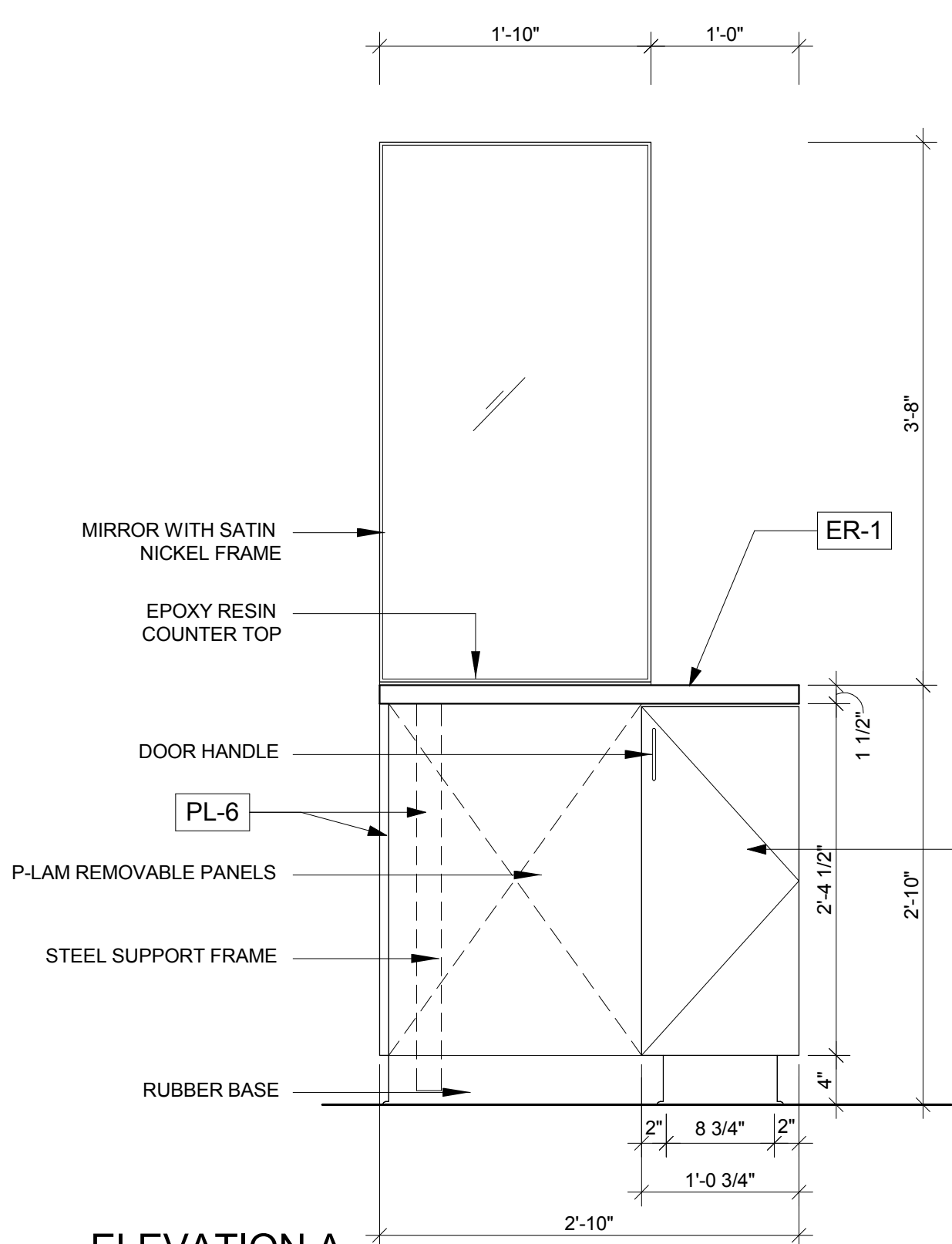


17 HAIR WASH SINK CABINET
1 1/2" = 1'-0"



3 HAIR STATION - ATTACHMENT DETAILS
3" = 1'-0"

4 TYP. HAIR STATIONS - SECTIONS
1" = 1'-0"



2 TYP. HAIR STATION - ELEVATIONS
1" = 1'-0"

1 TYP. HAIR STATION - PLANS
1" = 1'-0"