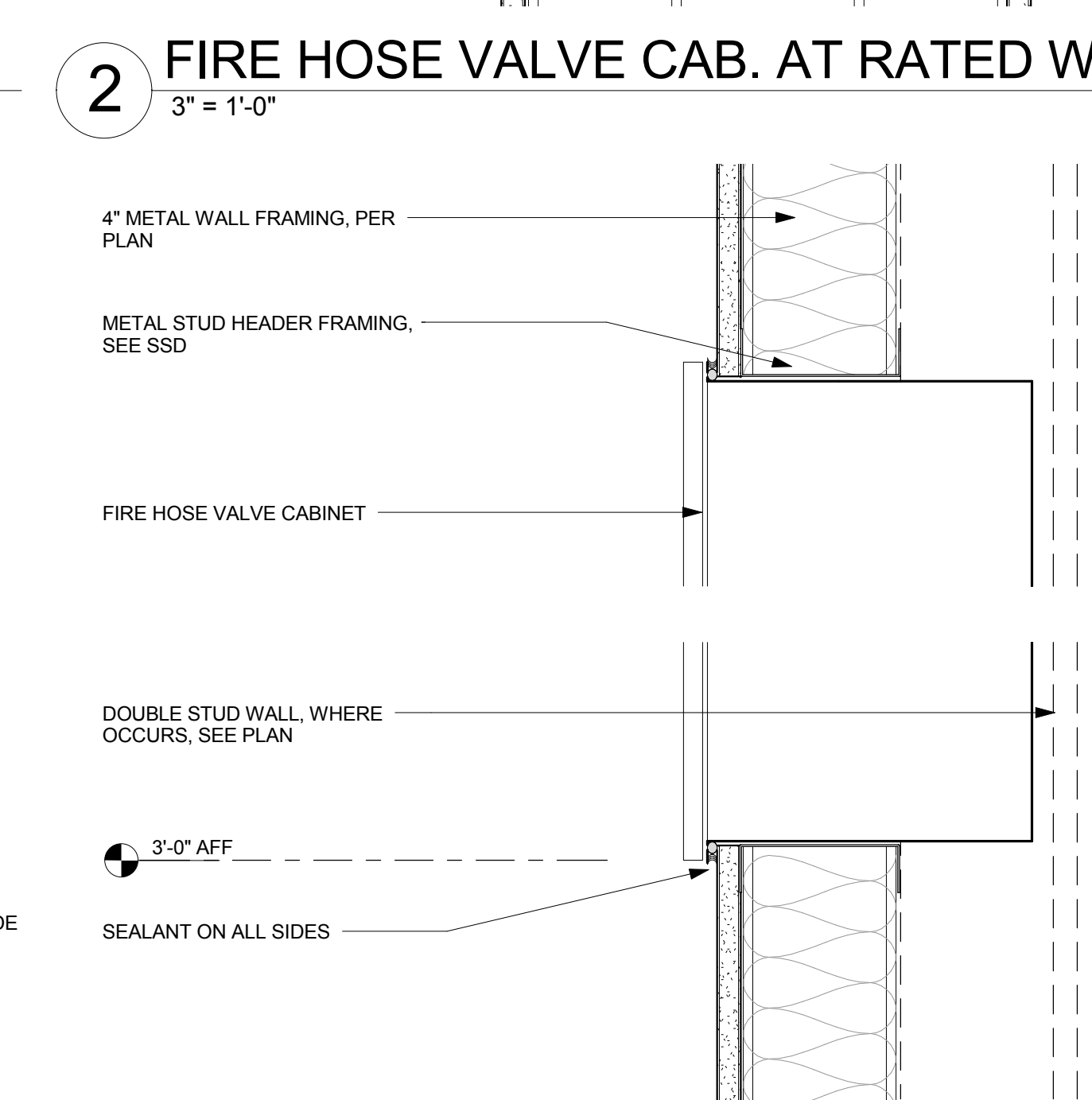
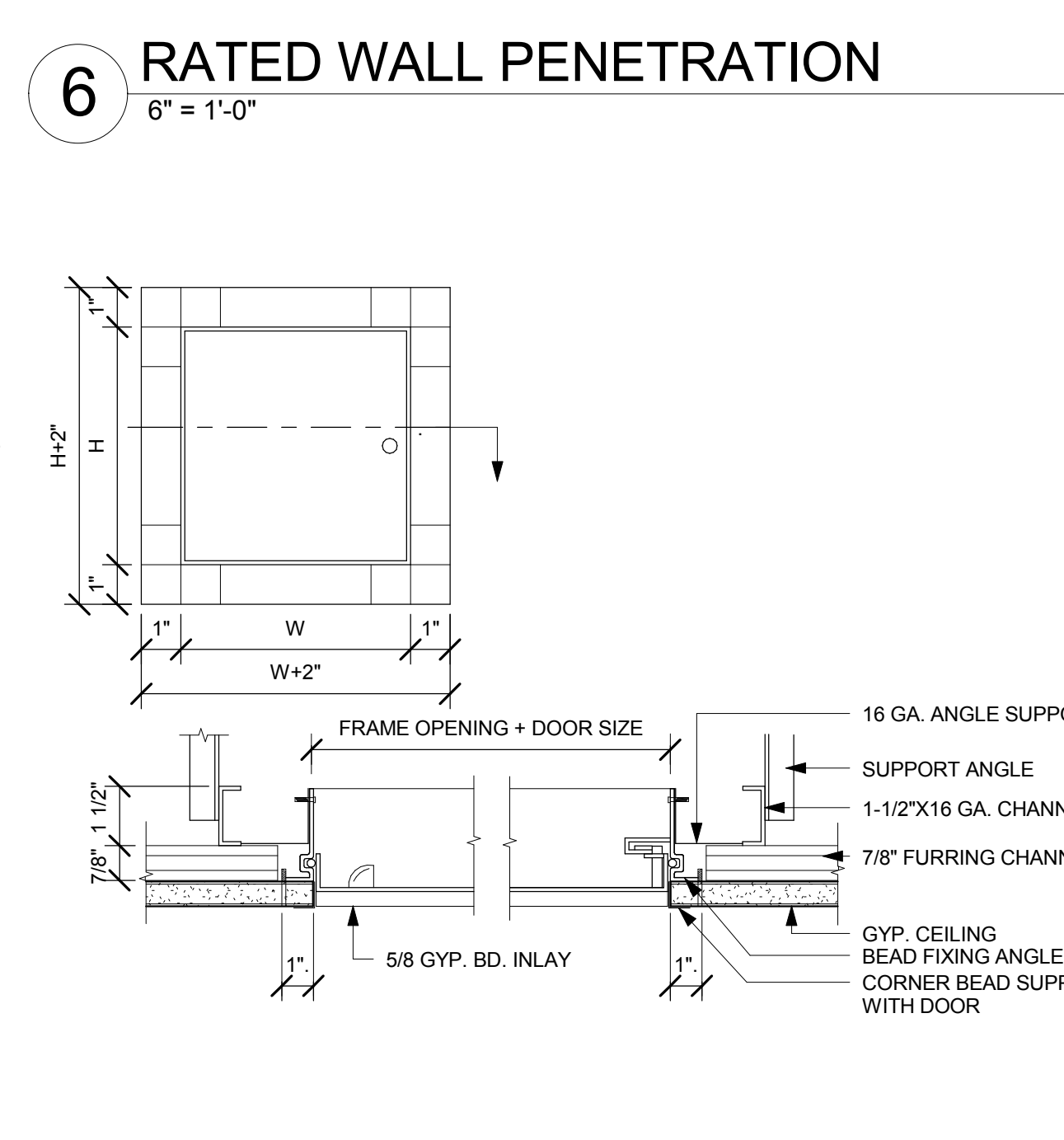
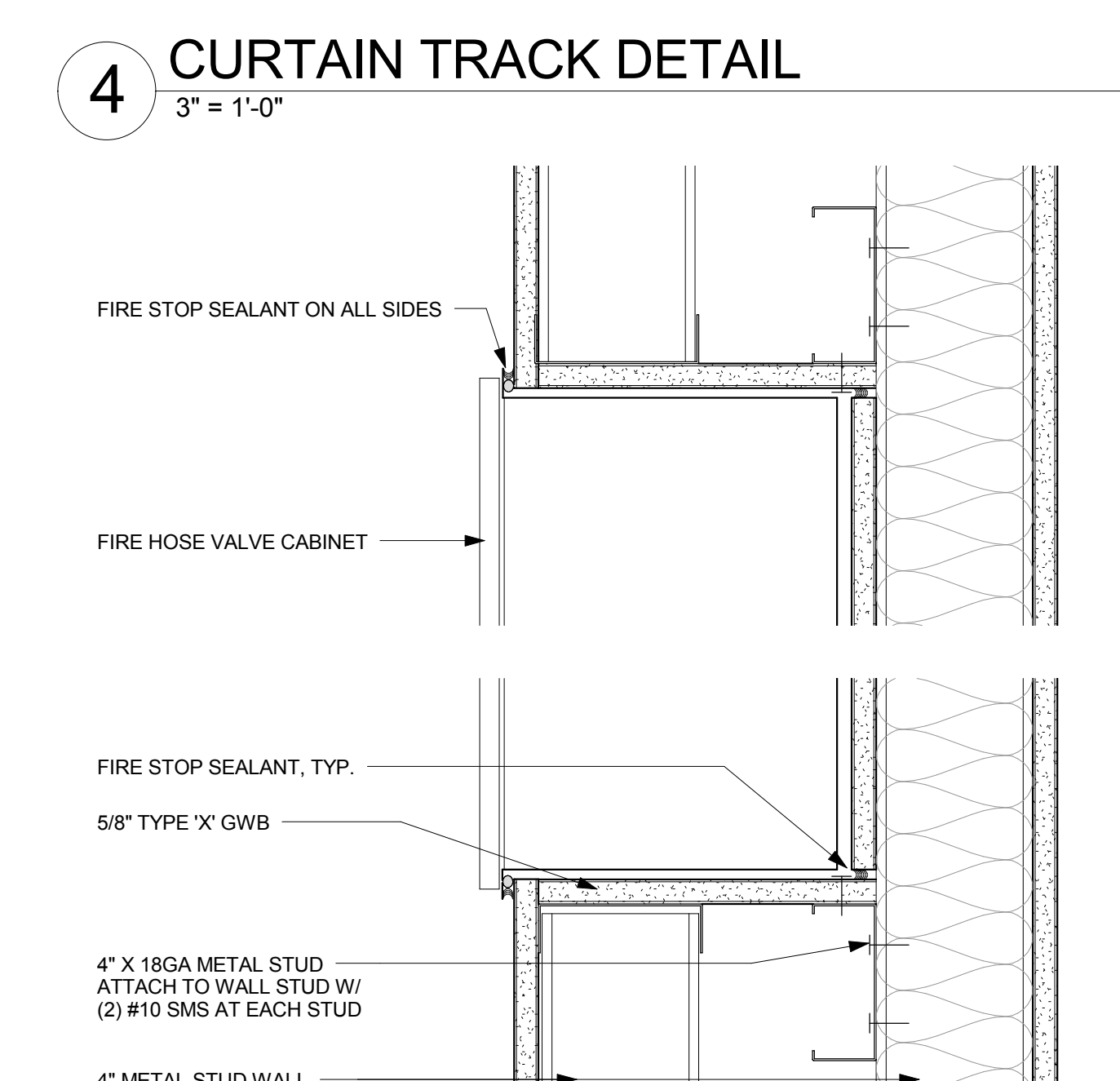
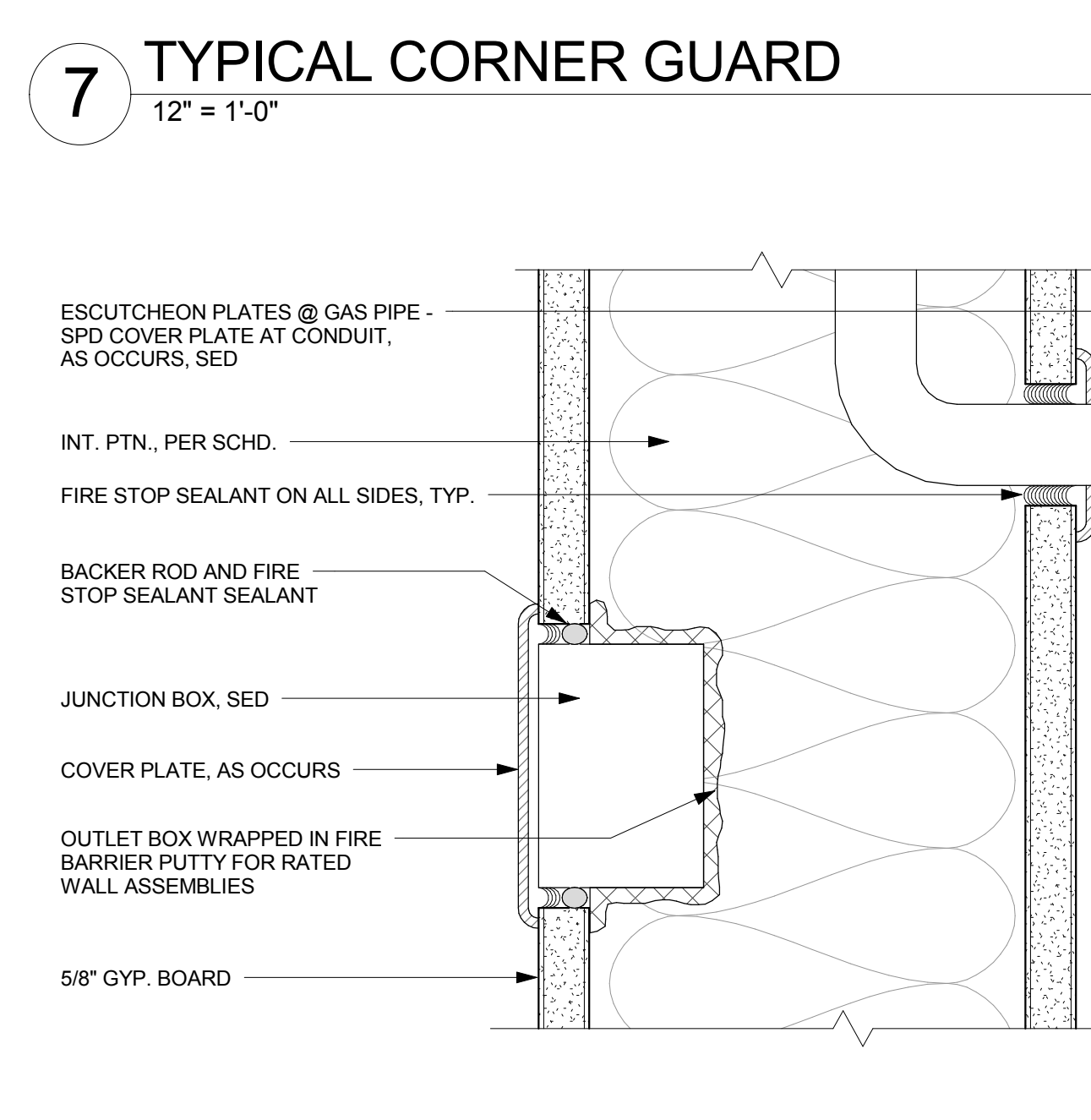
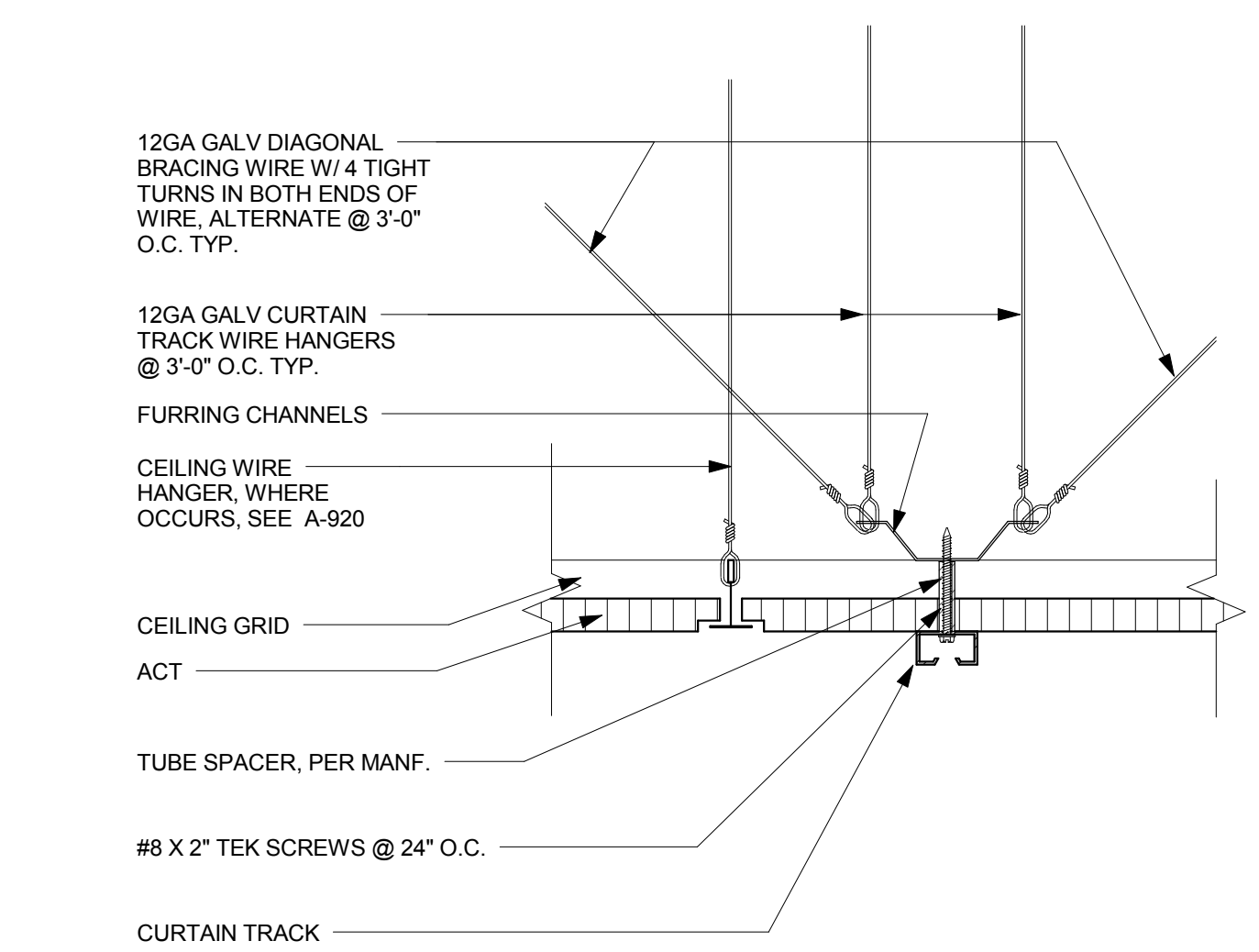
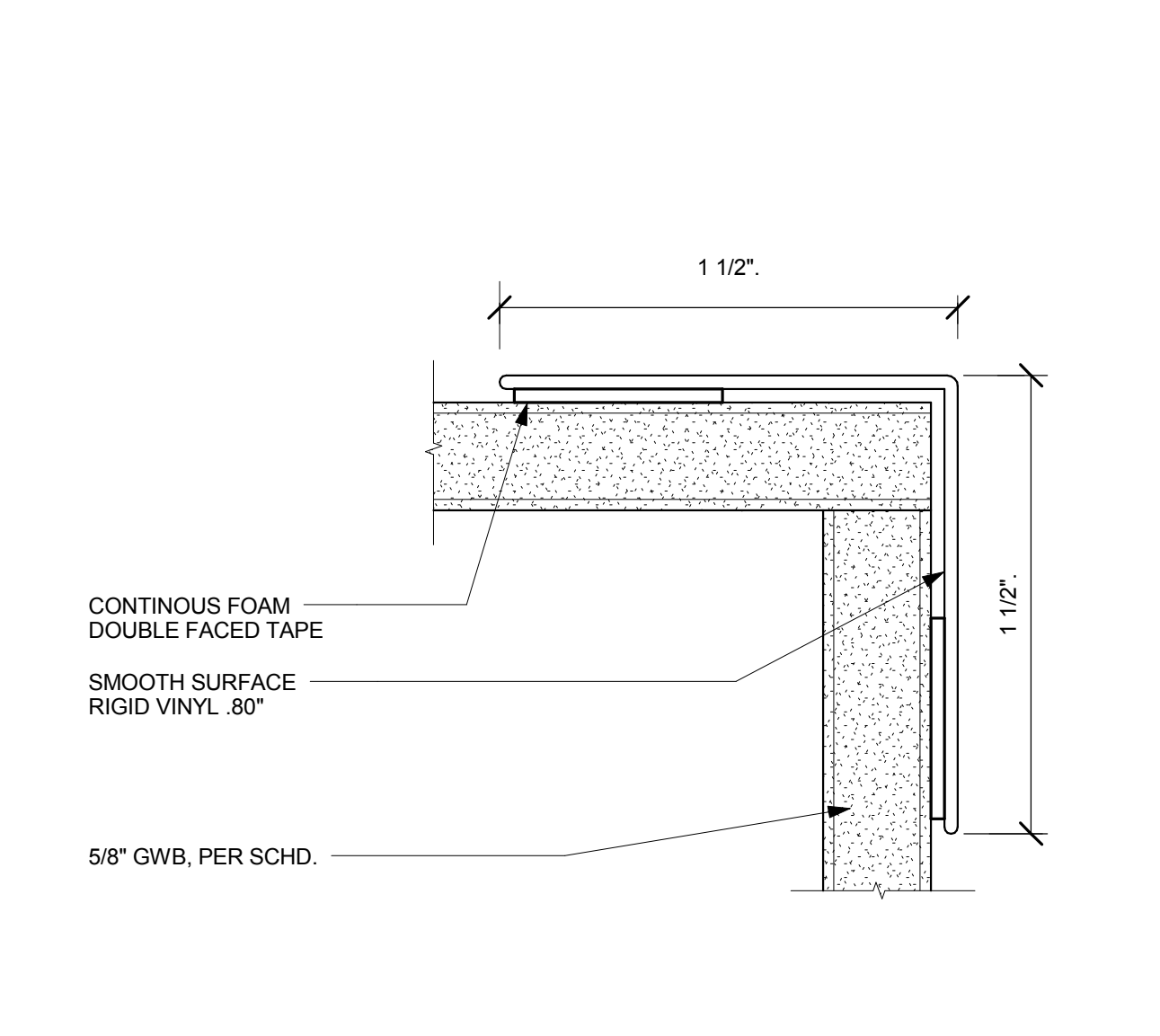
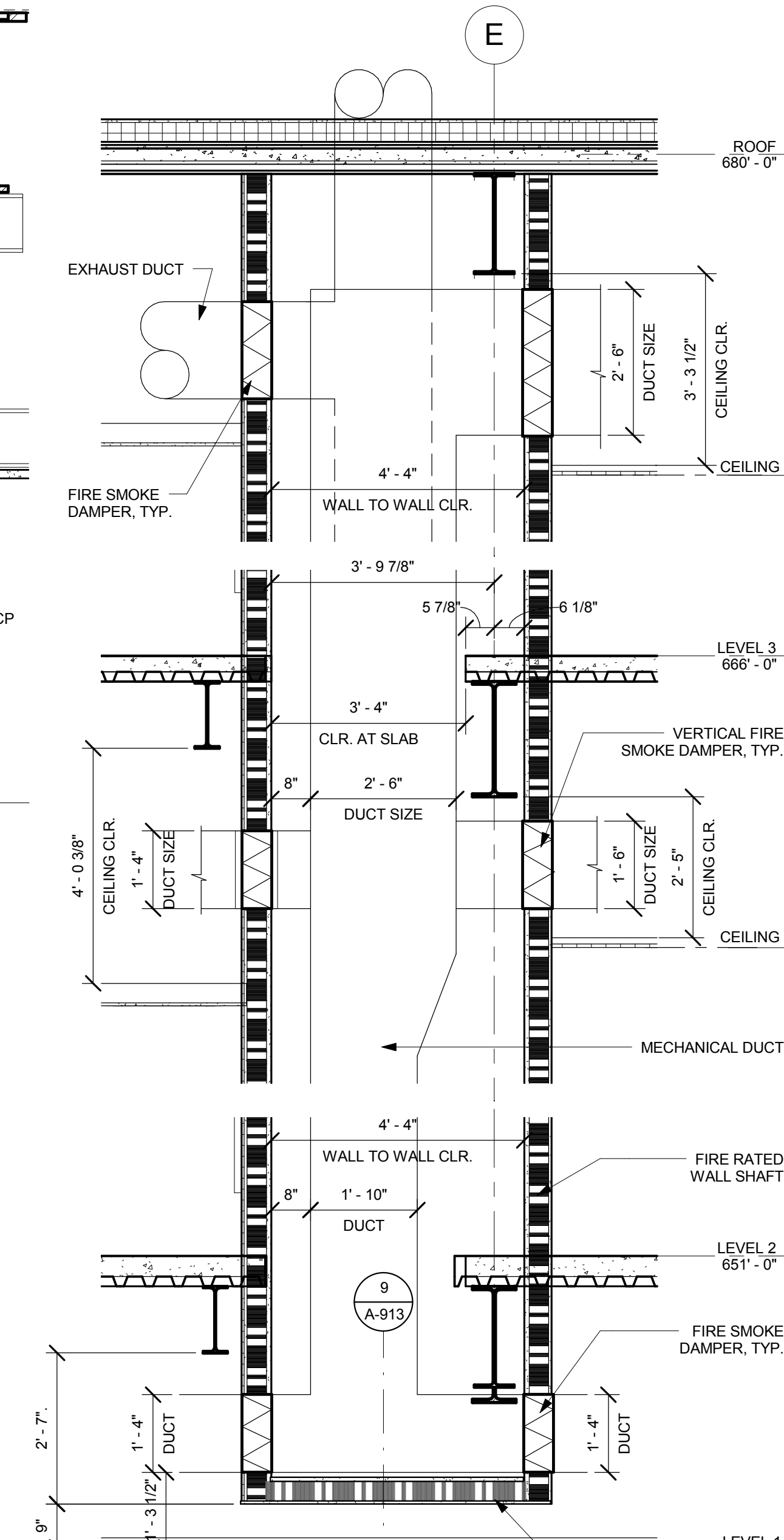


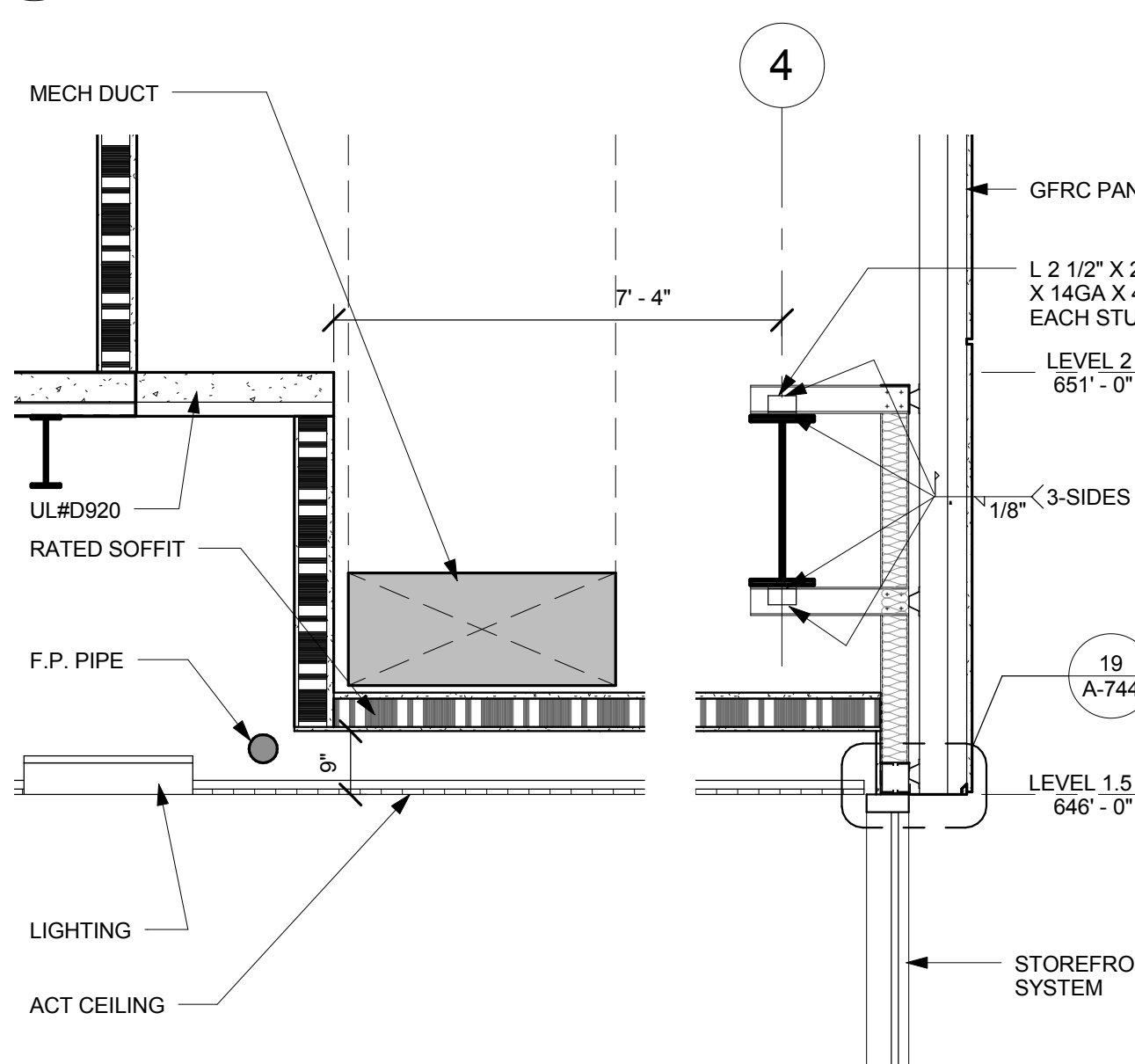
8 GUARDRAIL AT BRACE FRAME
1/2" = 1'-0"



12 COLUMN FURRING - AT PER WALL
1 1/2" = 1'-0"



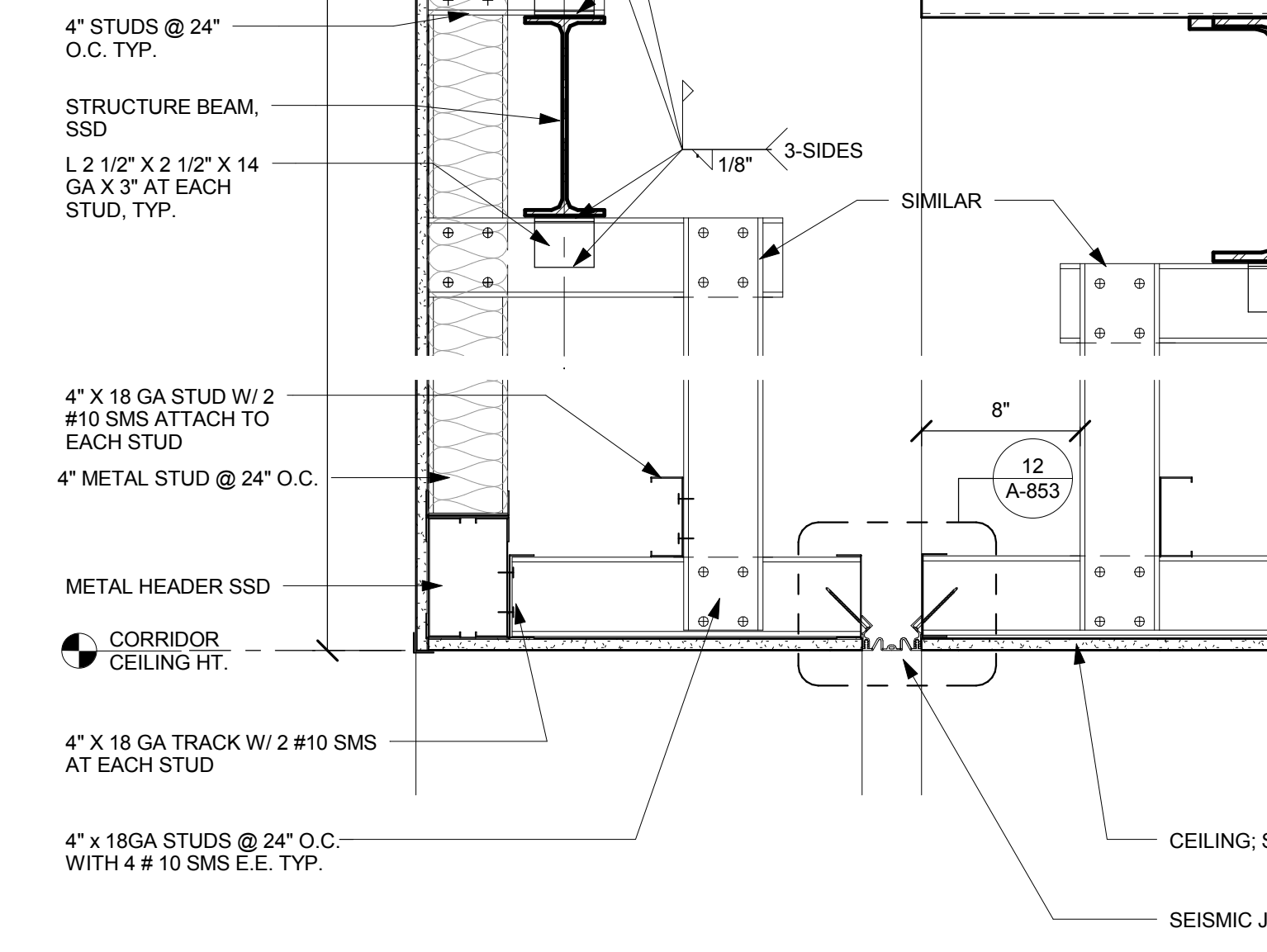
10 MECH SHAFT SECTION - VERT FSD
1/2" = 1'-0"



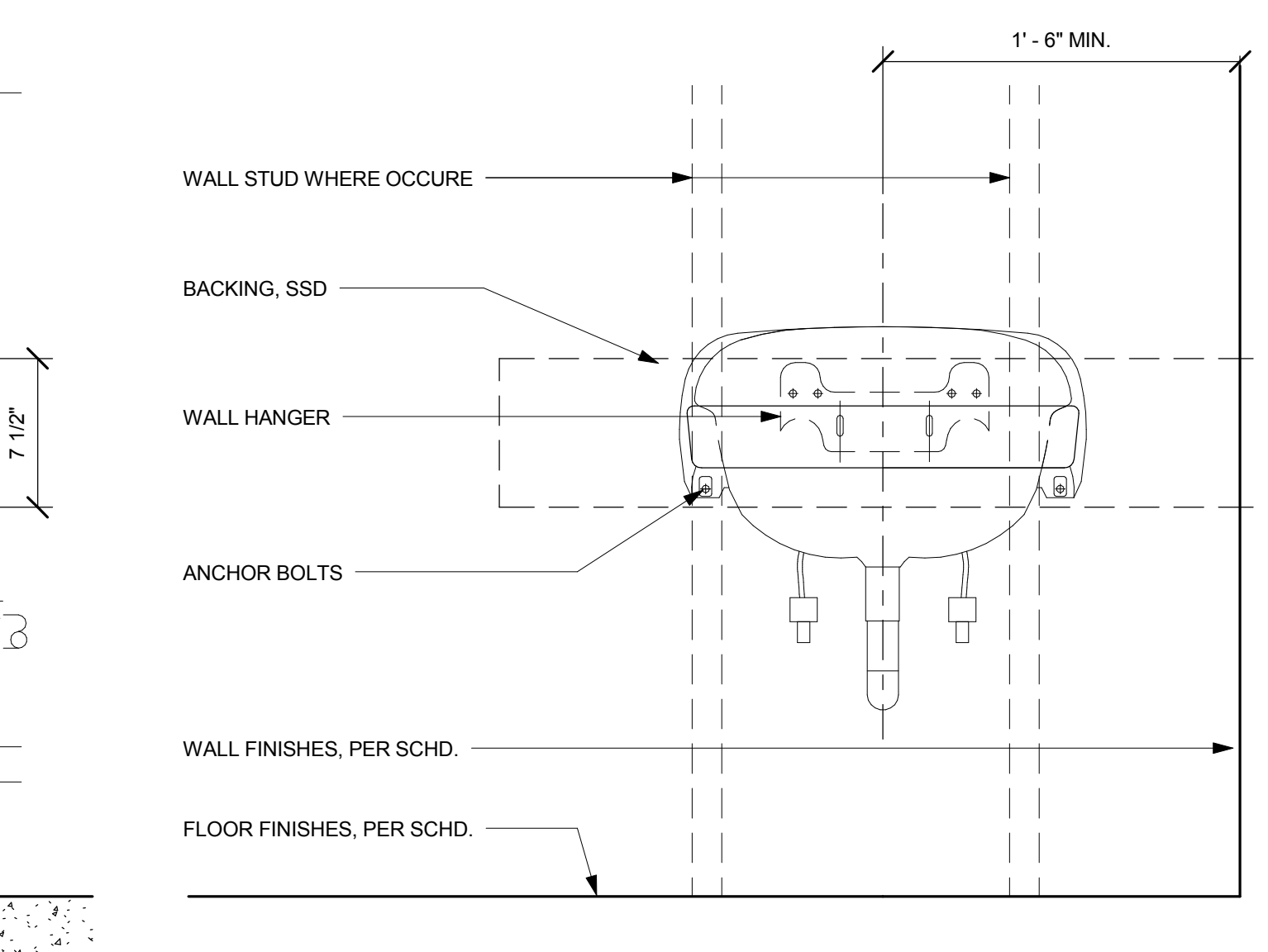
9 MECH SHAFT - LONG SECTION
1/2" = 1'-0"



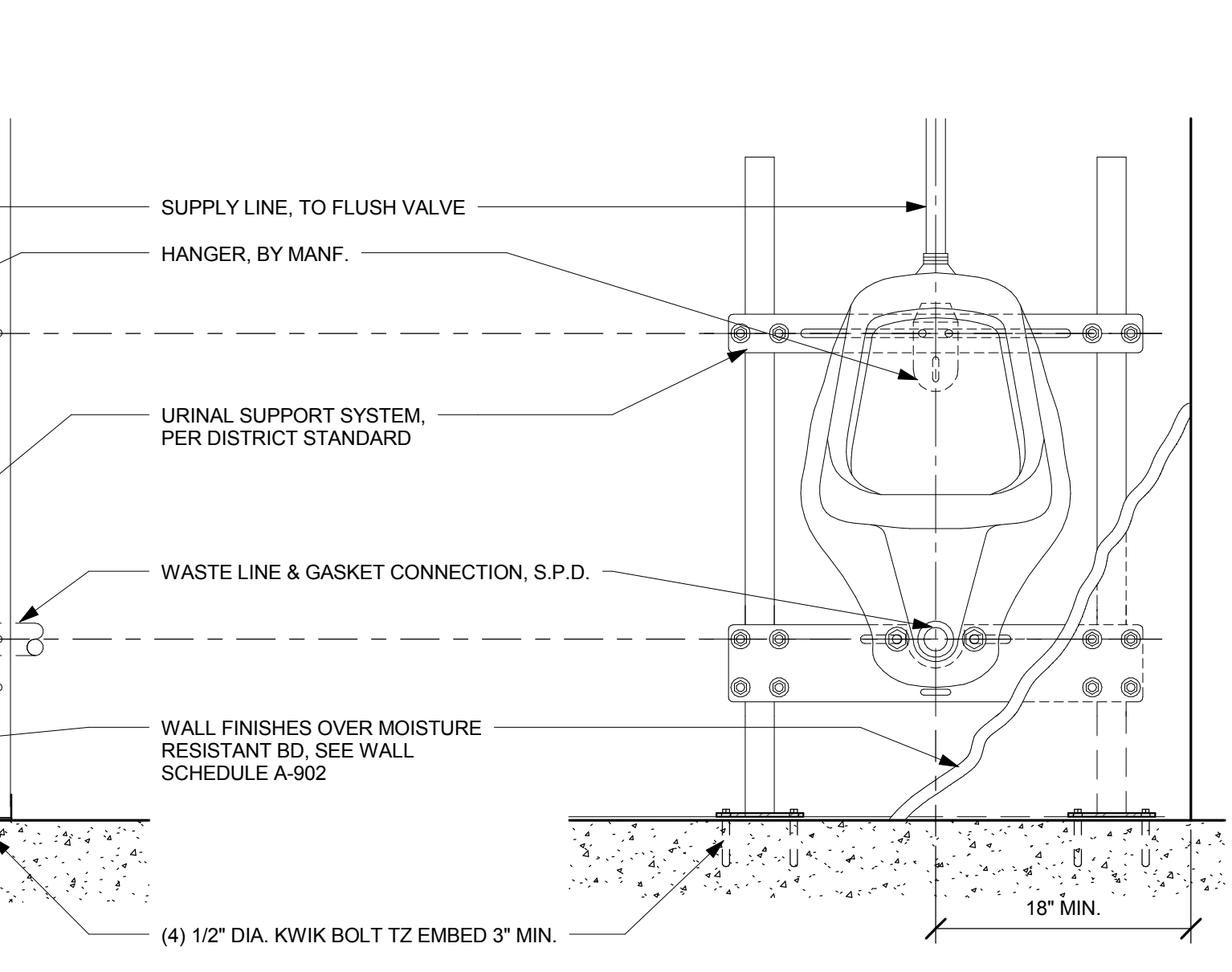
11 INT. MECH GRILLE AT CEILING
3" = 1'-0"



19 NON RATED PIPE PENETRATION
1 1/2" = 1'-0"



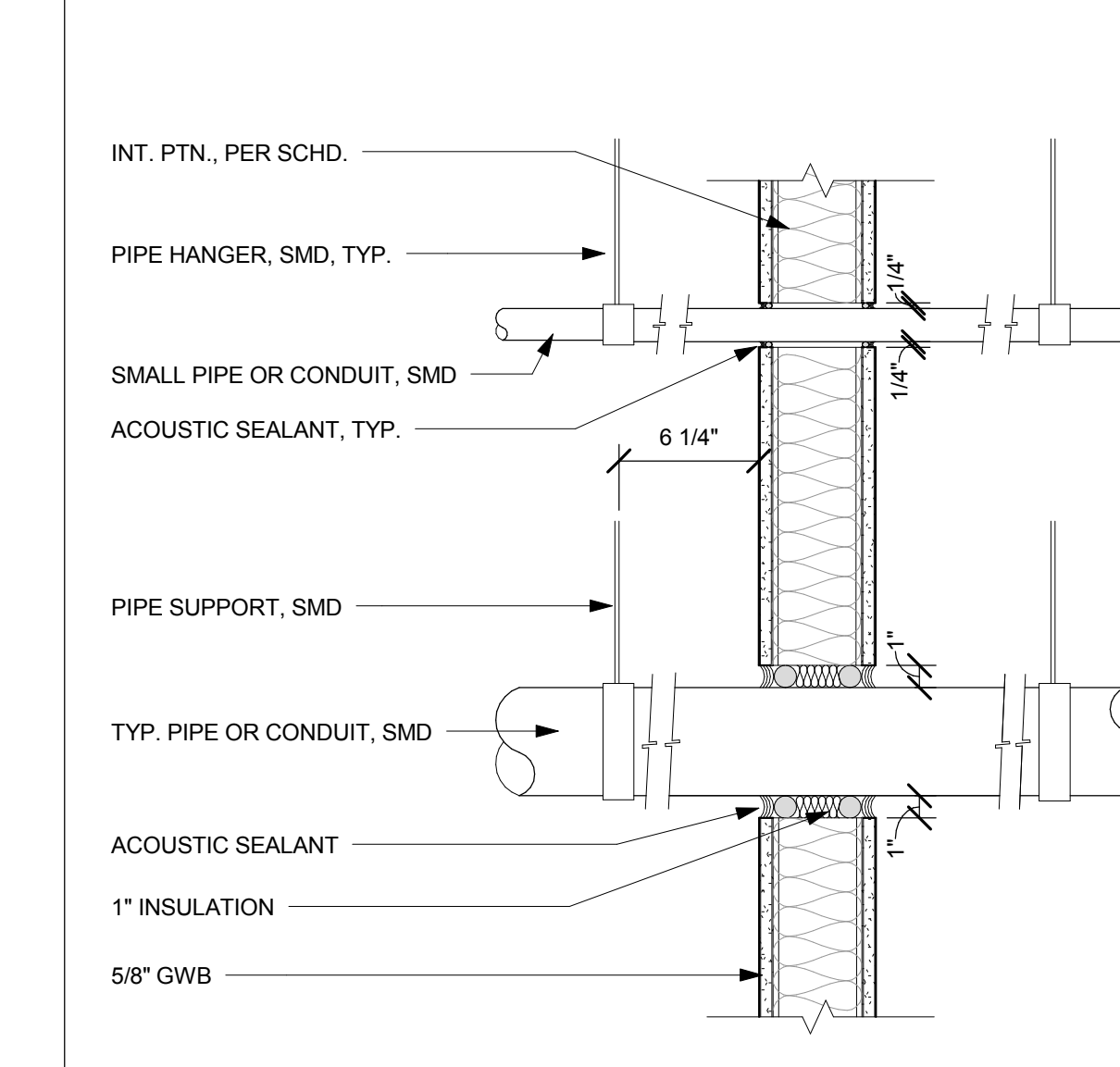
18 INDIVIDUAL WALL MOUNTED HANDSINK
1 1/2" = 1'-0"



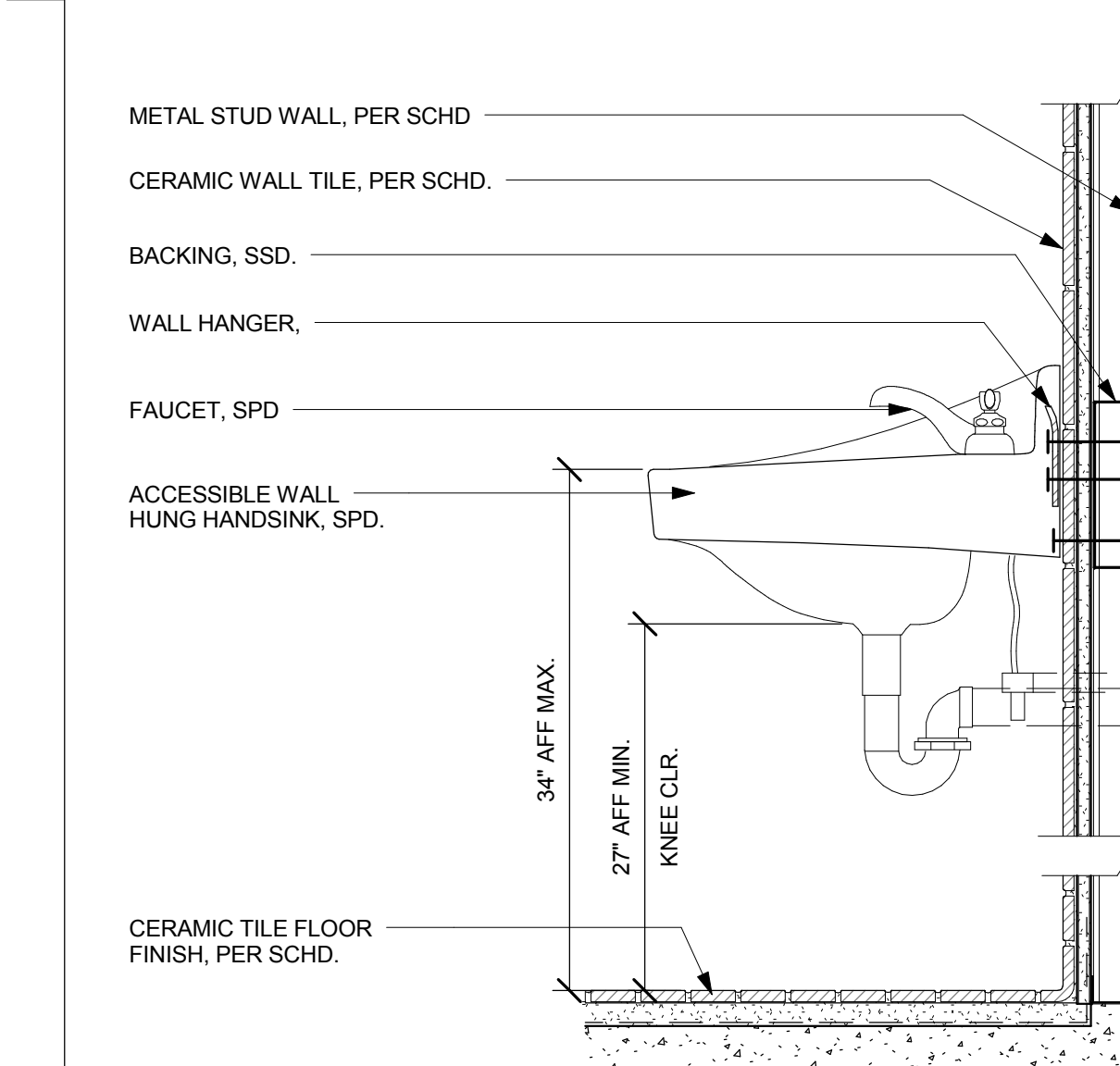
17 URINAL MOUNTING
1 1/2" = 1'-0"



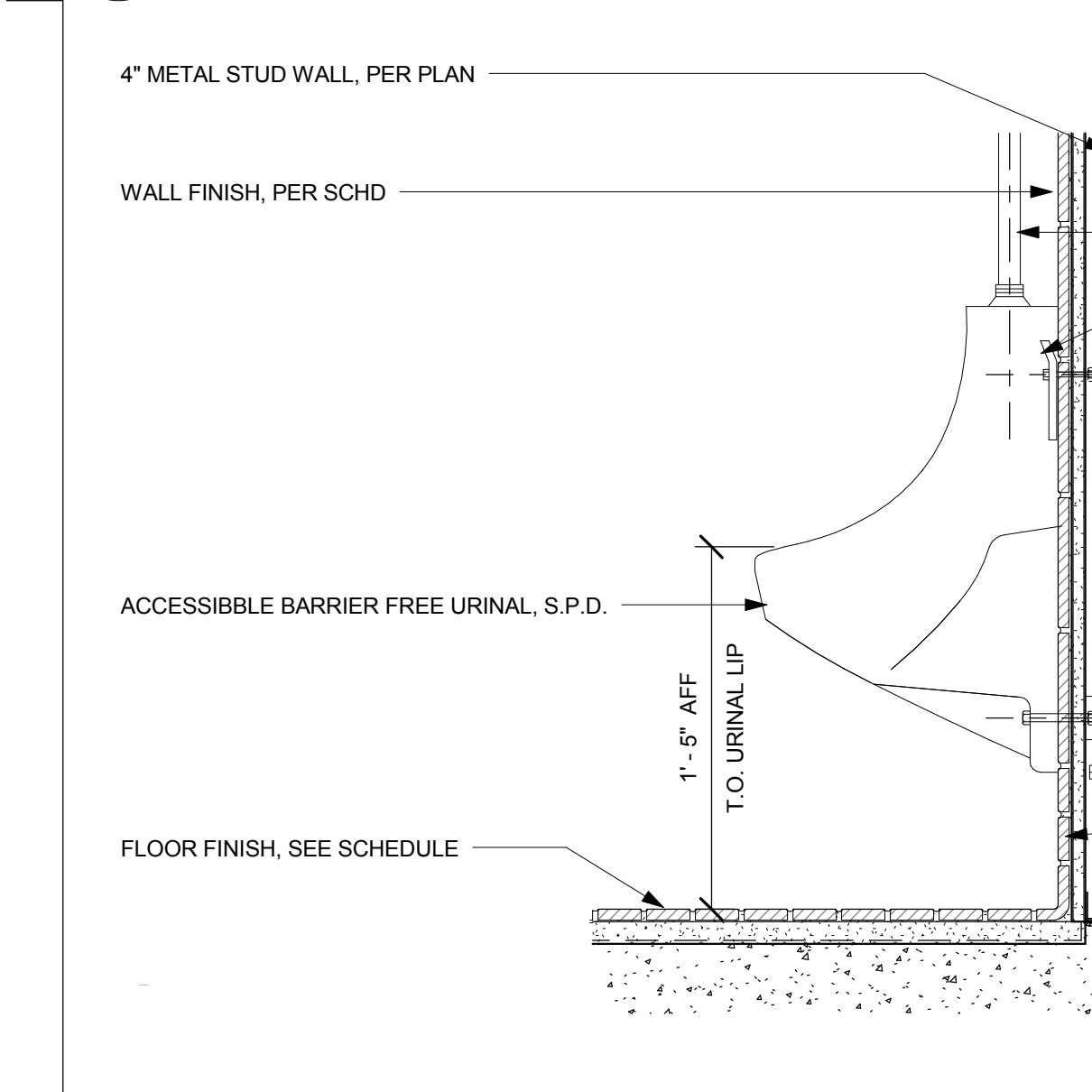
20 INT. MECH GRILLE AT CEILING
3" = 1'-0"



19 NON RATED PIPE PENETRATION
1 1/2" = 1'-0"



18 INDIVIDUAL WALL MOUNTED HANDSINK
1 1/2" = 1'-0"



17 URINAL MOUNTING
1 1/2" = 1'-0"



All drawings and written material appearing herein constitute original and unpublished work of the Architect/Engineer and may not be duplicated, used or disclosed without consent of Architect/Engineer.
If this drawing is not 30"x42", then the drawing has been revised from its original size. Noted scales must be adjusted. This line should be equal to one inch.