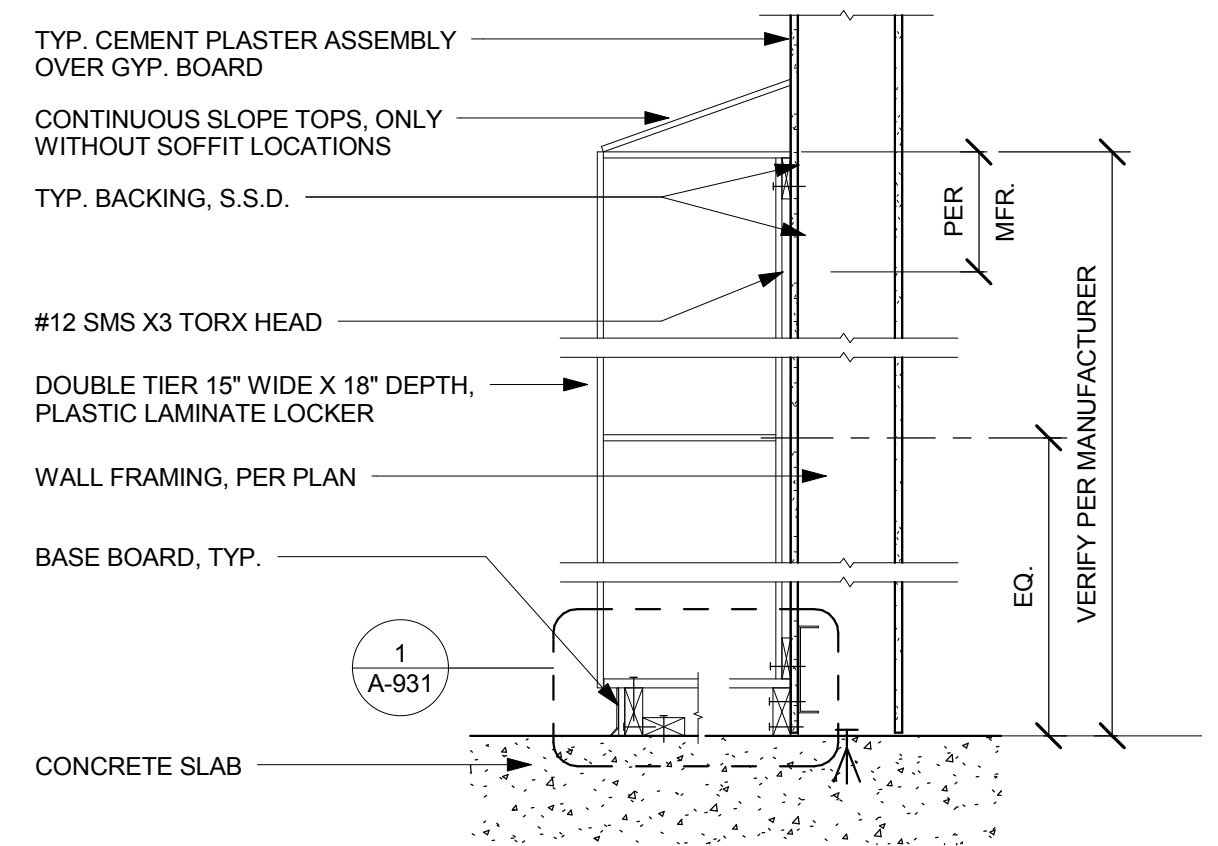
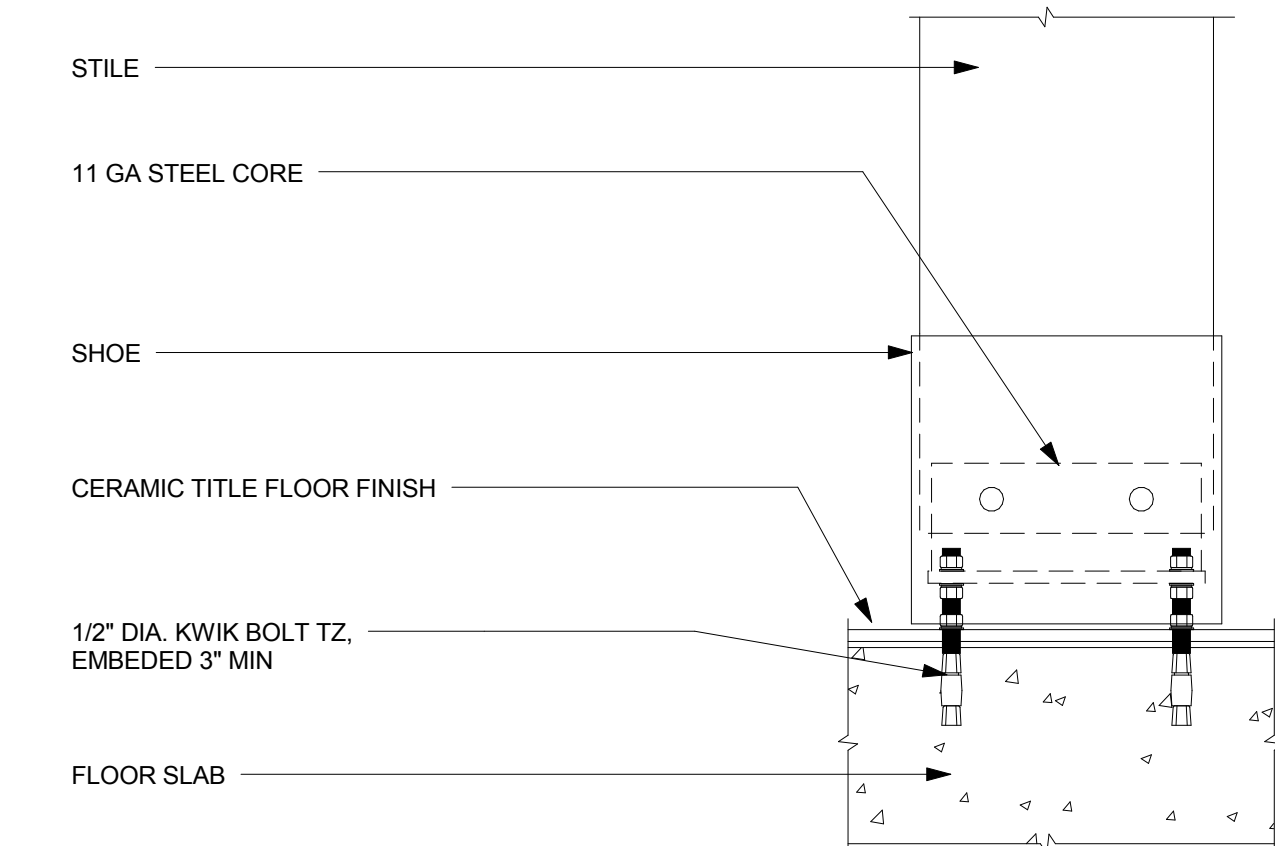


**20 PARTITION HEAD BRACKET**  
3" = 1'-0"

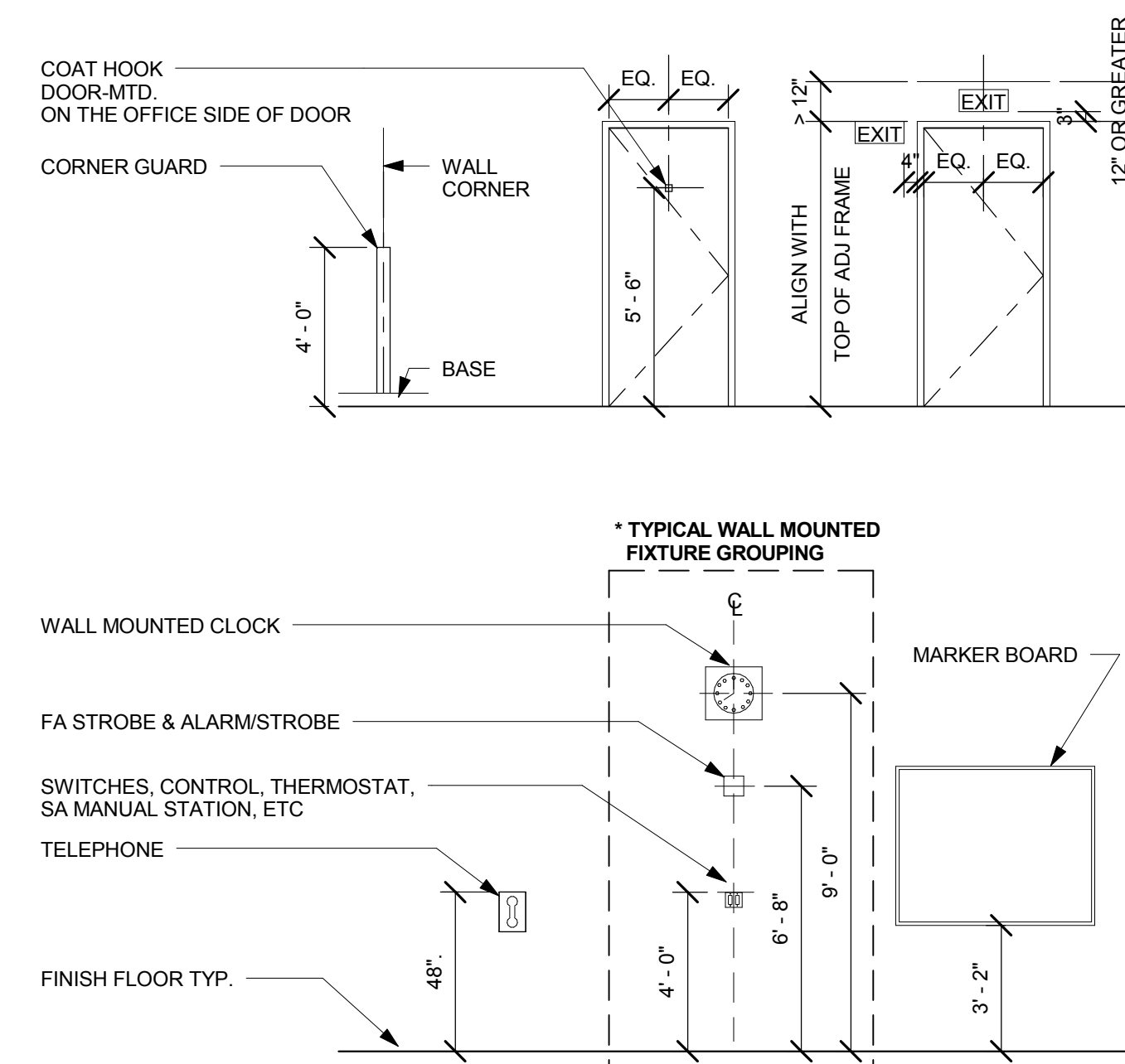
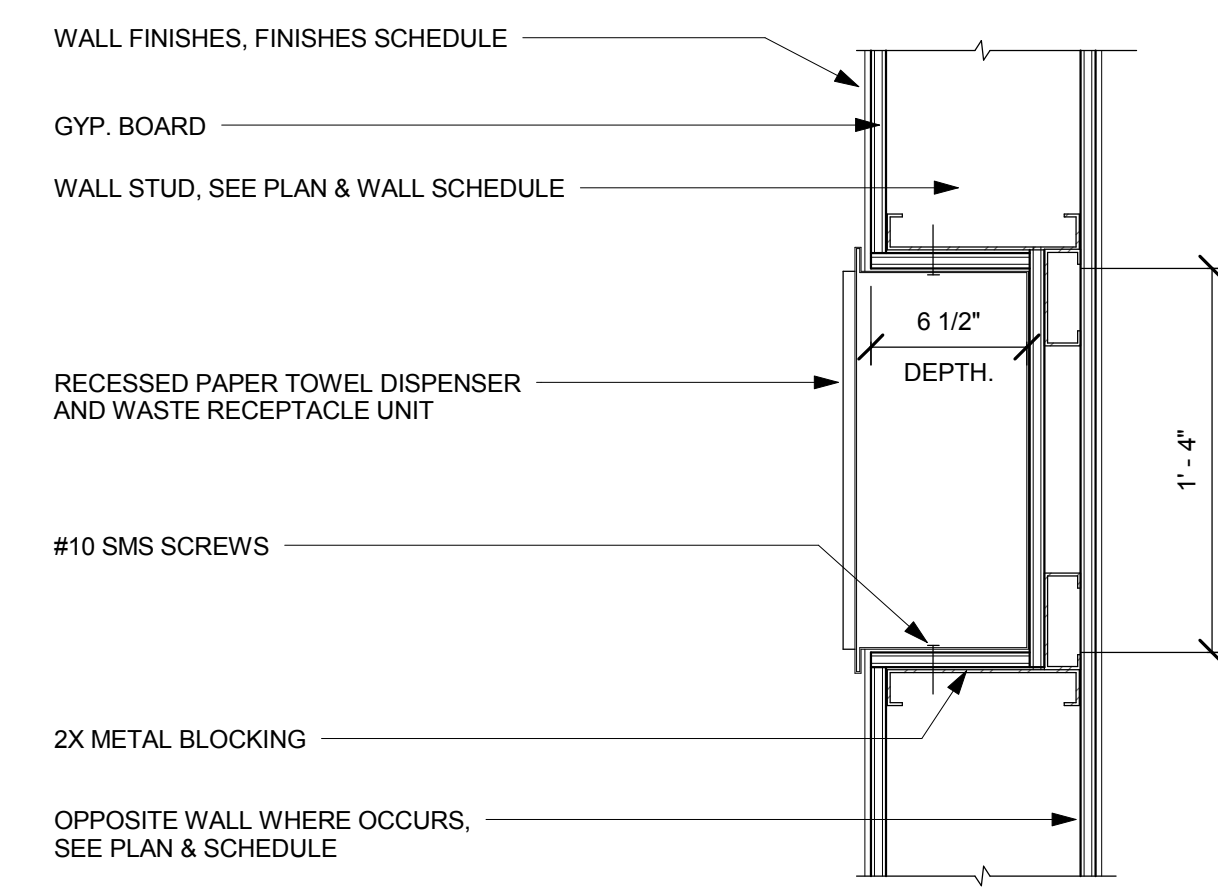
**16 MARKERBOARD MOUNTING**  
3" = 1'-0"

**8 INTERIOR FE CABINET**  
1 1/2" = 1'-0"

**4 GRAB BAR AT GYP. BD.**  
12" = 1'-0"



**11 DRINKING FOUNTAIN**  
1 1/2" = 1'-0"

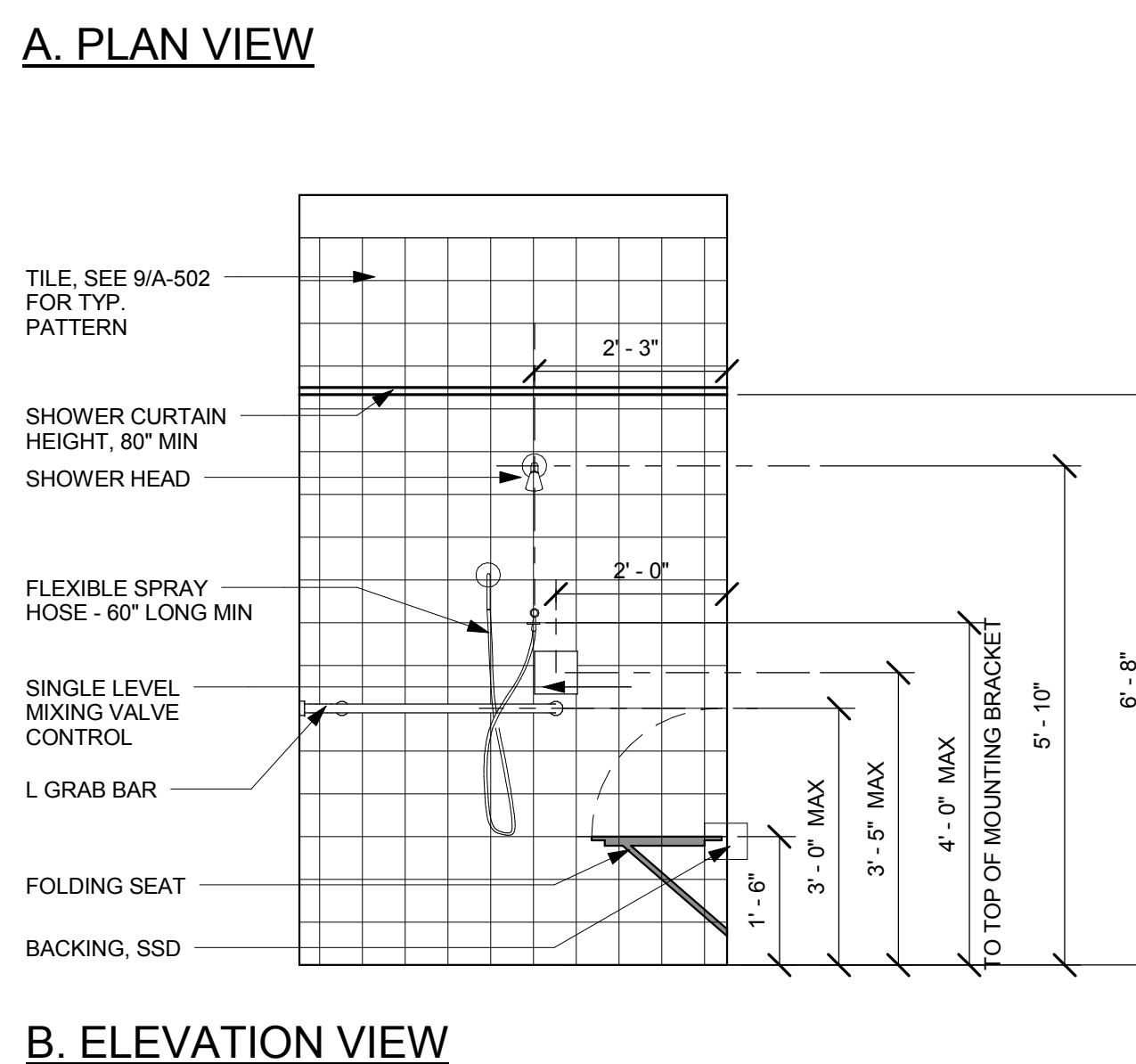
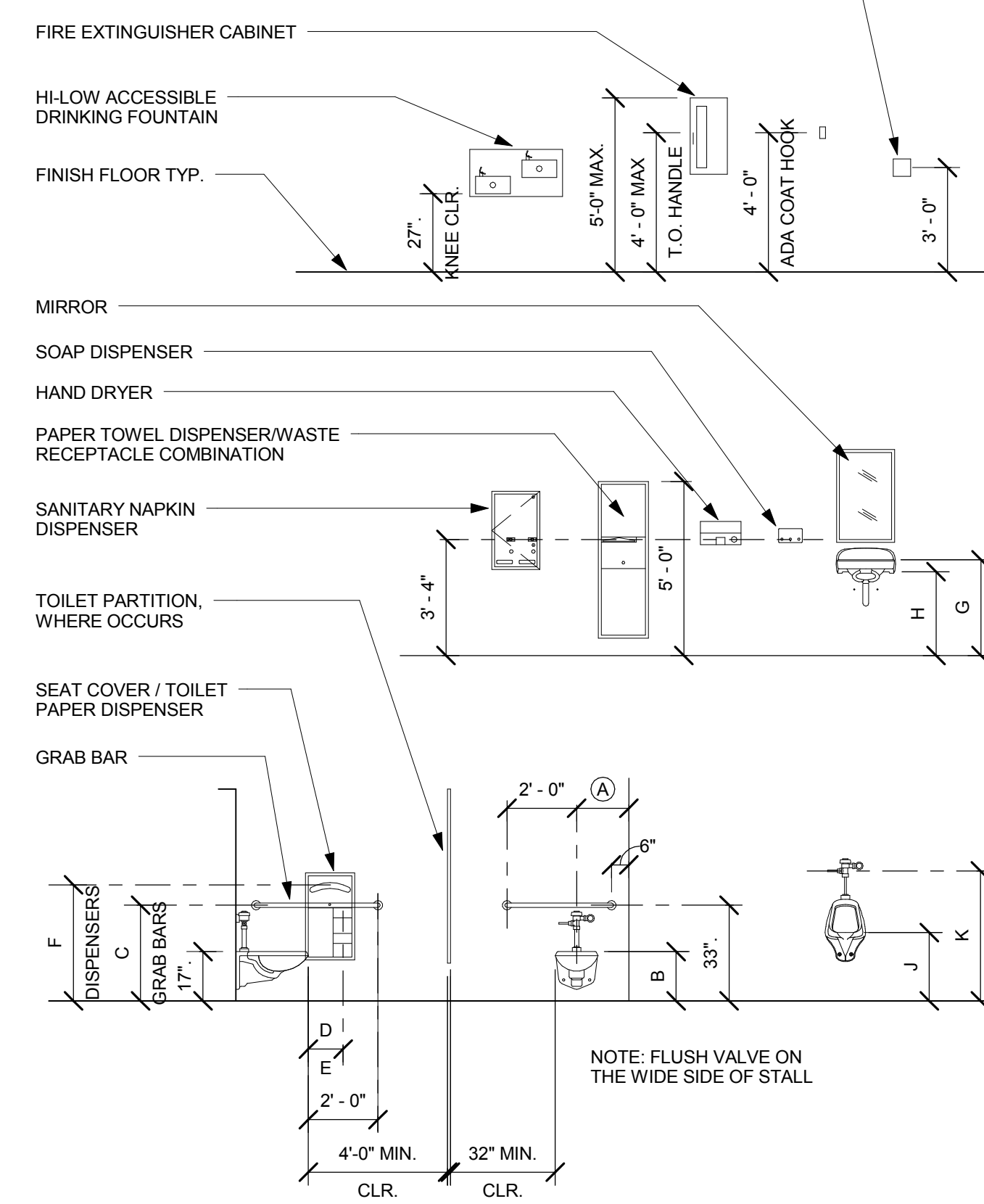
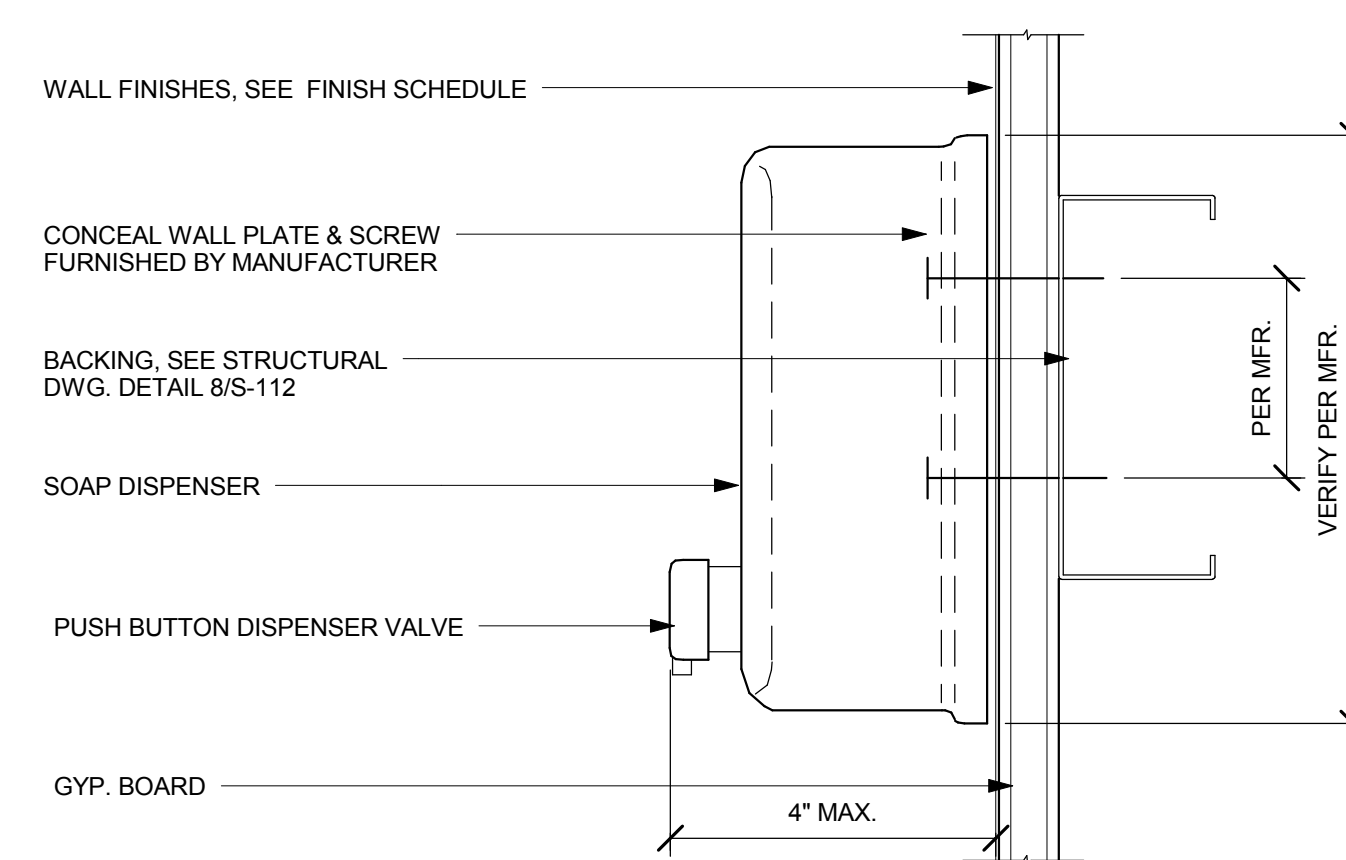
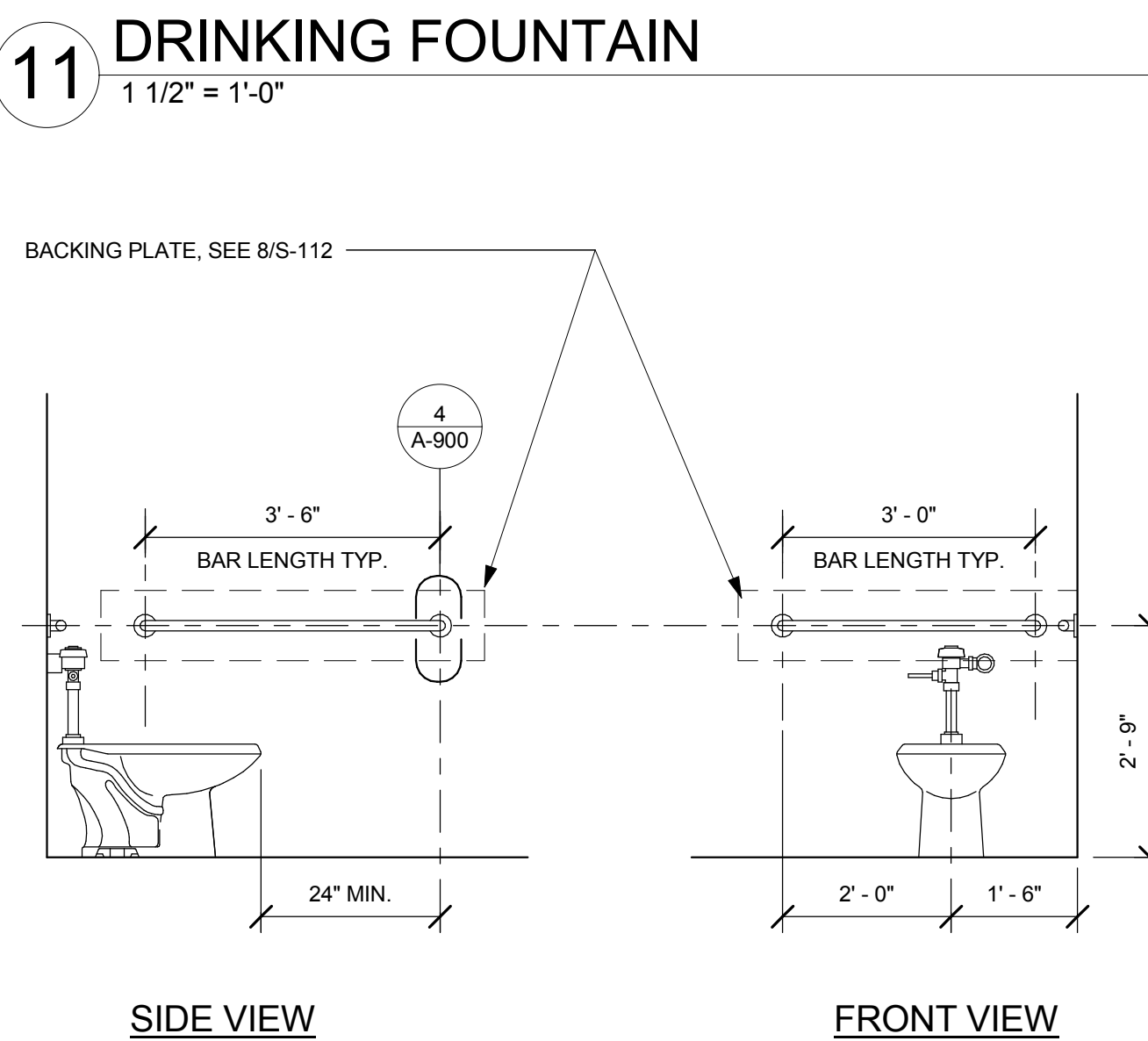
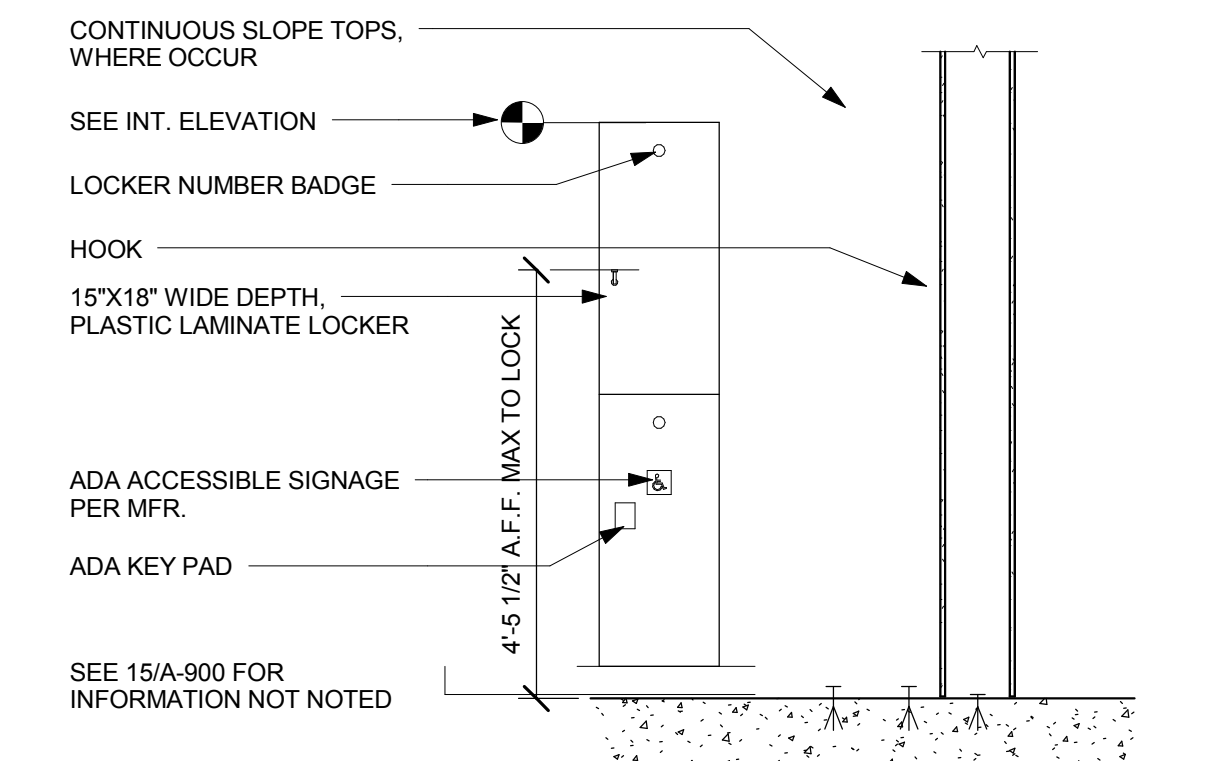
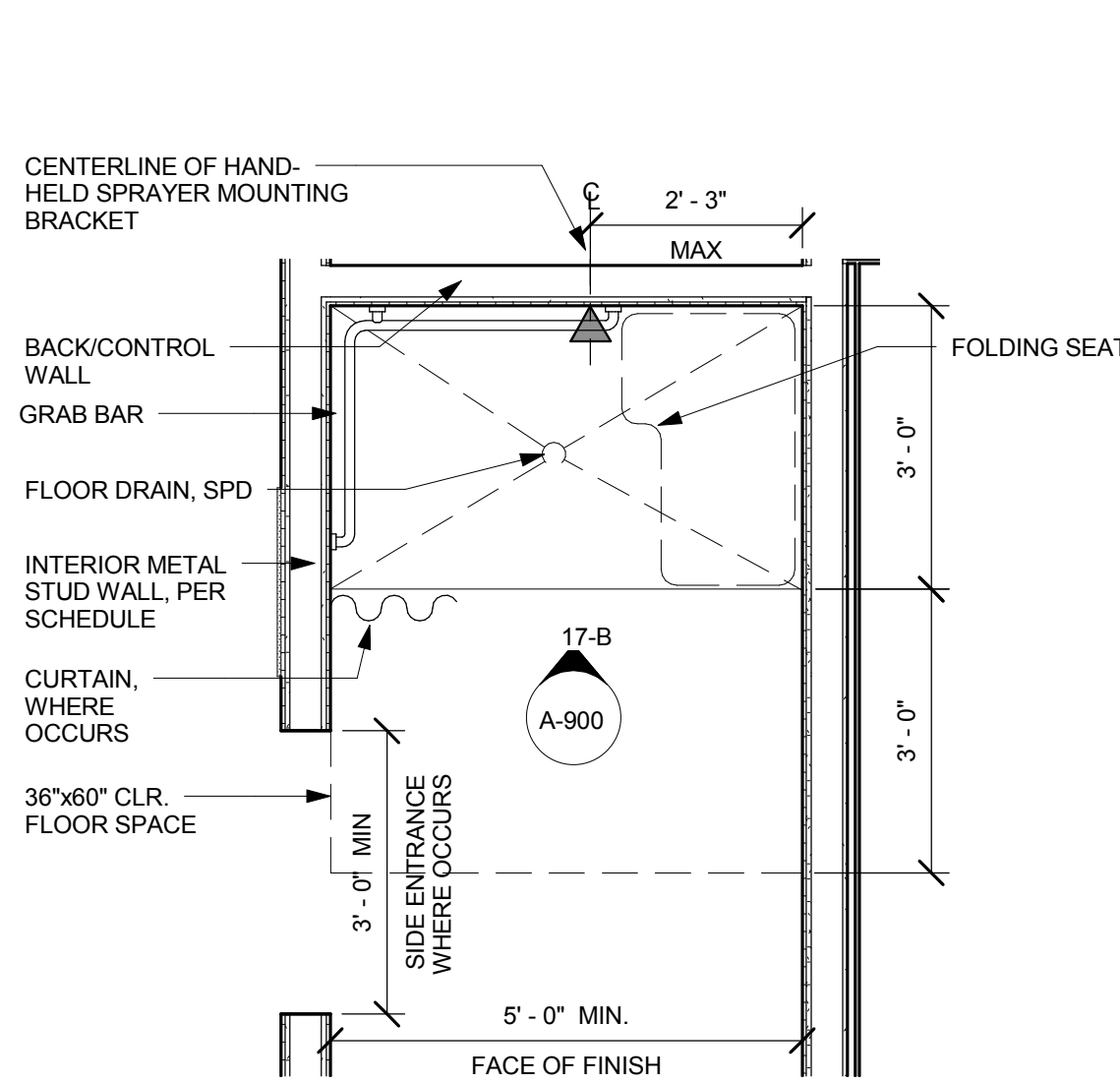


**19 TOILET PARTITION FLOOR ANCHOR**  
3" = 1'-0"

**15 LOCKER ANCHORAGE**  
3/4" = 1'-0"

**7 RECESSED PAPER TOWEL DISP.**  
1 1/2" = 1'-0"

PROJECT  
RECORD SET



**14 TYP. ACCESSIBLE LOCKER**  
1/2" = 1'-0"

**10 TYPICAL GRAB BARS MOUNTING**  
1/2" = 1'-0"

**6 SOAP DISPENSER MOUNTING**  
6" = 1'-0"

DIMENSIONS FOR ACCESSIBILITY	
DESCRIPTIONS	DIMENSIONS
(A) TOILET CENTER LINE FROM WALL	18"
B TOILET SEAT HEIGHT	17"-19"
C GRAB BAR HEIGHT	33"
D TOILET PAPER IN FRONT OF TOILET	12" MAX.
E NAPKIN DISPOSAL IN FRONT OF TOILET	12"
F DISPENSER OR MIRROR HEIGHT	40" MAX.
G LAVATORY AND SINK TOP HEIGHT	34" MAX.
H LAVATORY AND SINK KNEE CLEARANCE	29" MAX.
J URINAL LIP HEIGHT	17" MAX.
K URINAL FLUSH HANDLE HEIGHT	44" MAX.
L DRINKING FOUNTAIN BUBBLER HEIGHT	36" MAX.
M DRINKING FOUNTAIN KNEE CLEARANCE	27" MAX.
N MEDICINE CABINET	44" MAX.

**17 TYP. ADA SHOWER**  
1/2" = 1'-0"

**13 FLOOR-MOUNT GRAB BAR**  
3" = 1'-0"

**9 MIRROR MOUNTING**  
6" = 1'-0"

**5 GRAB BAR ANCHORAGE**  
3" = 1'-0"

**1 TYPICAL ACCESSIBLE MOUNTING HT**  
1 1/2" = 1'-0"