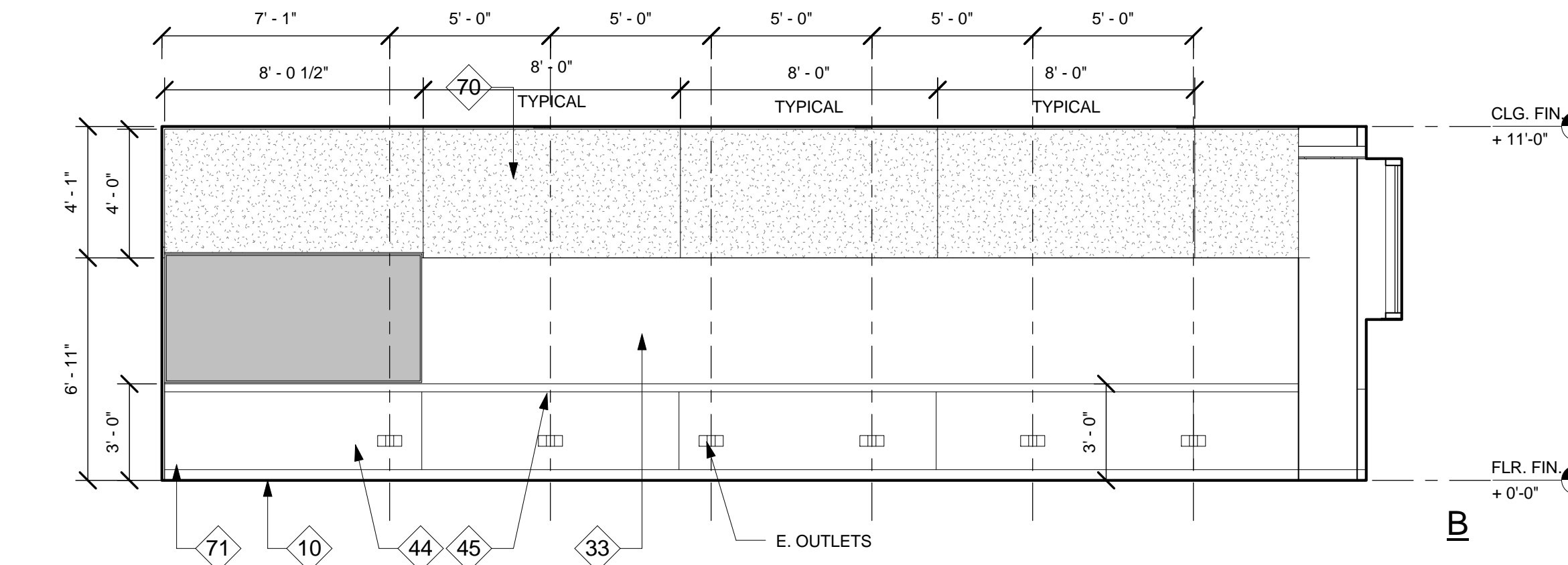
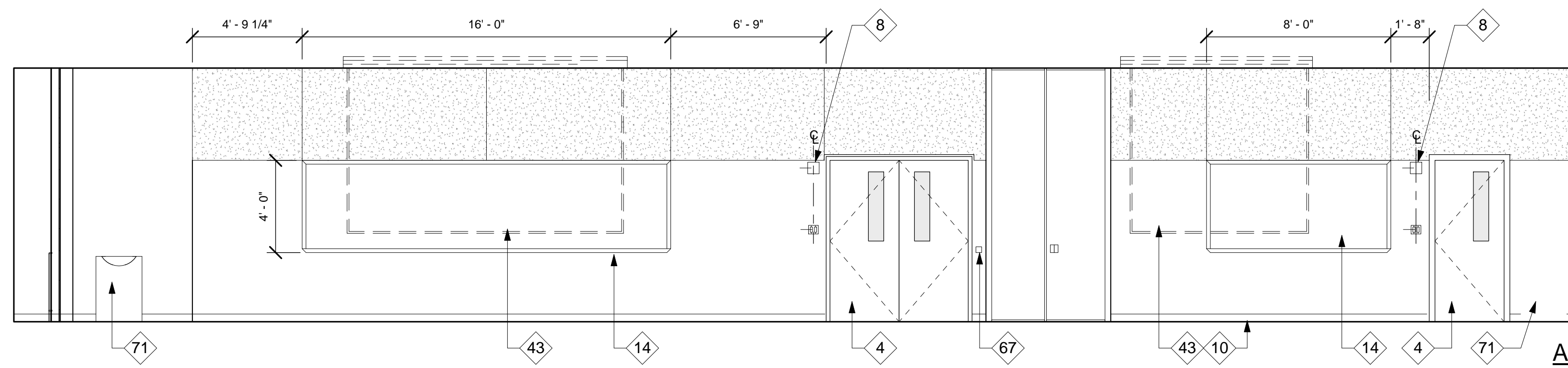
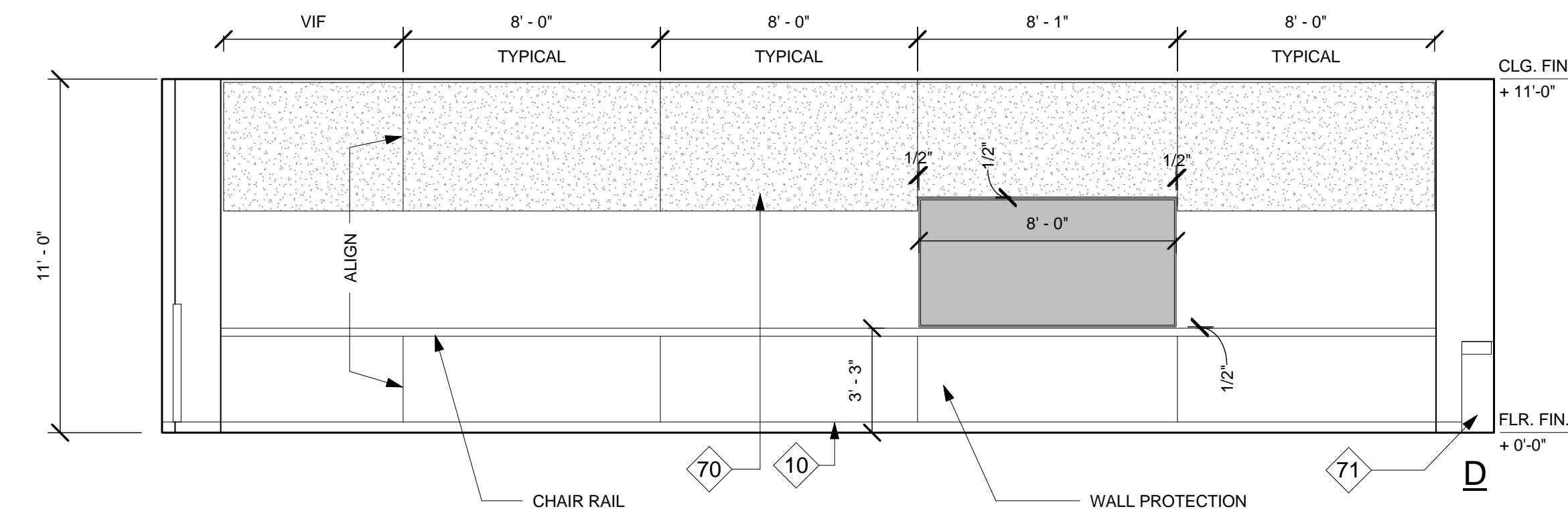
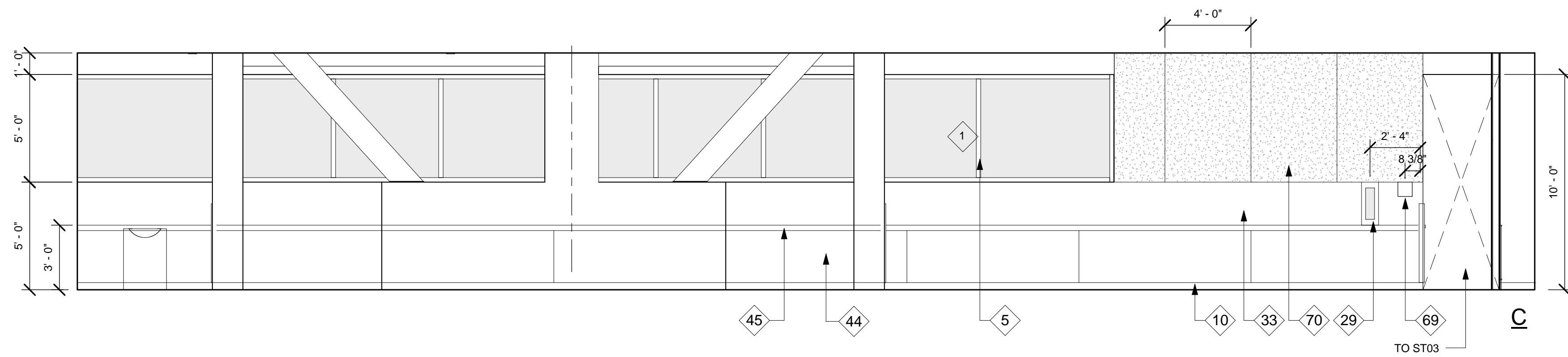


**GENERAL NOTES**

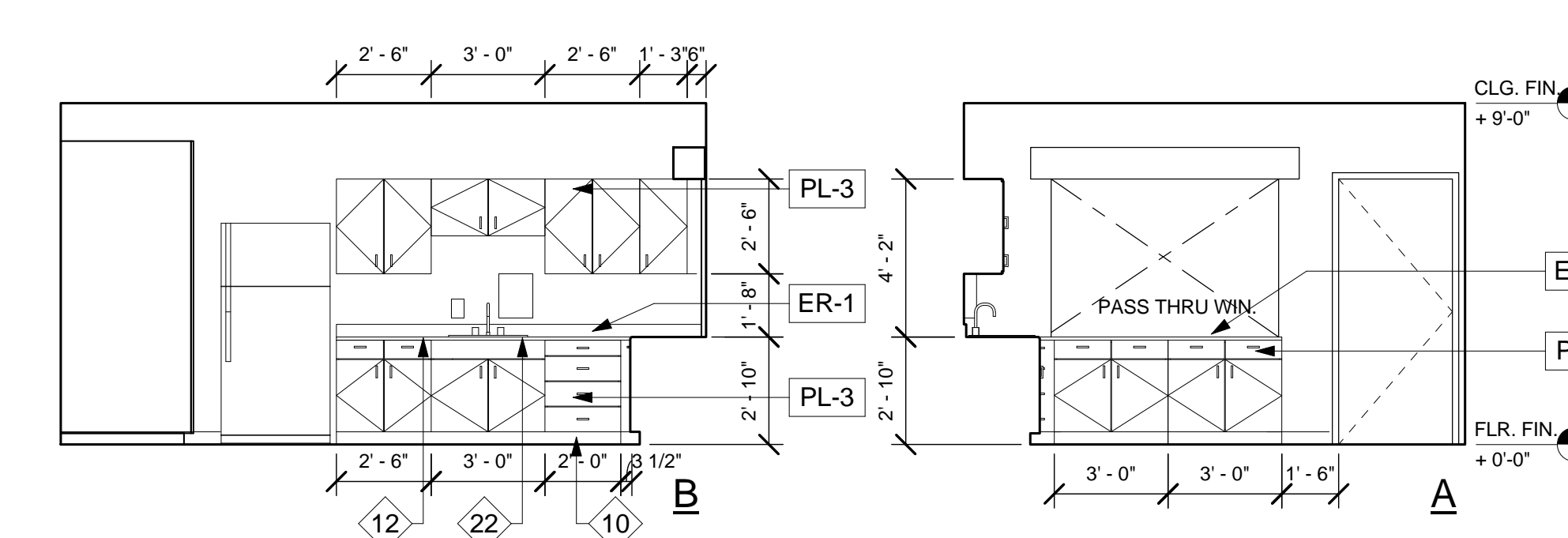
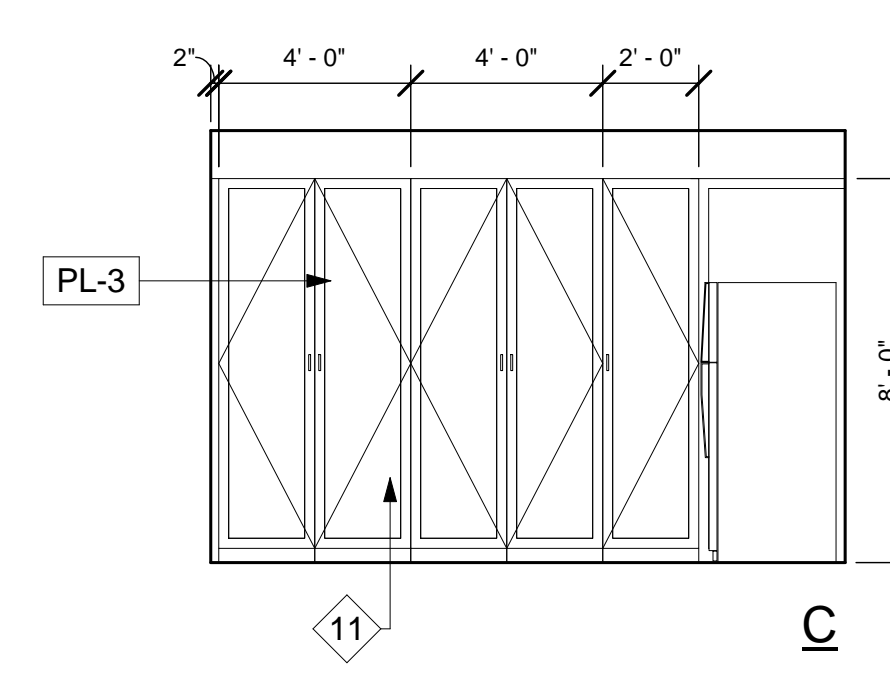
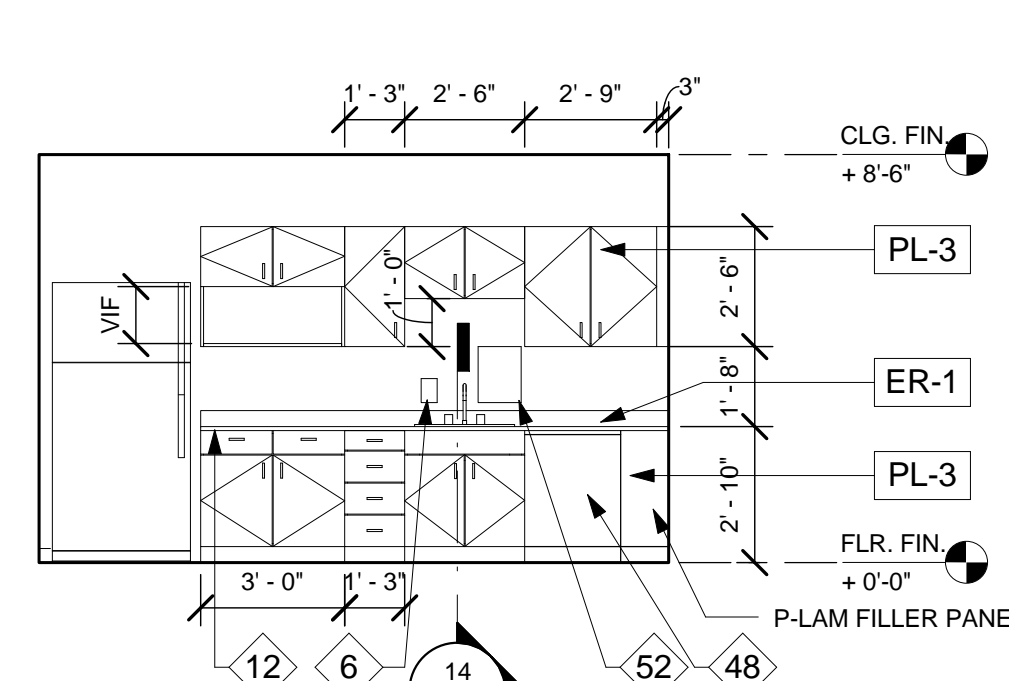
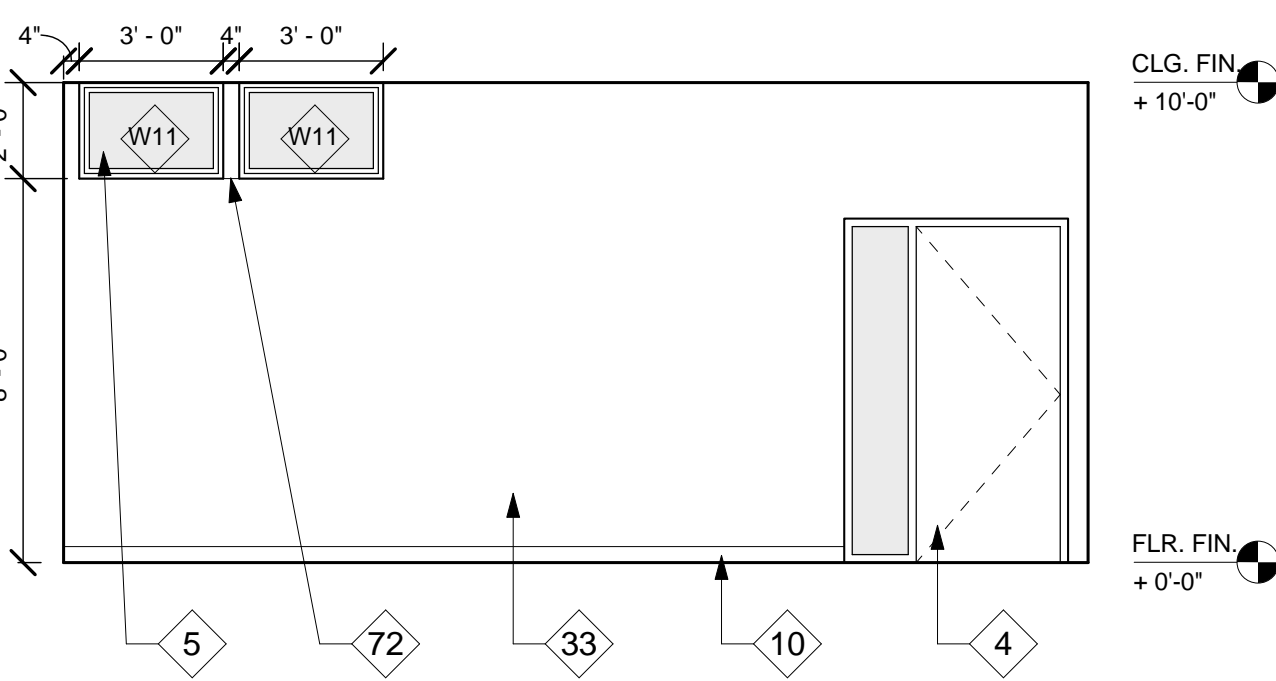
1. REFER TO ROOM FINISH SCHEDULE (SHT A1-101, 102 AND 103) AND FINISH SCHEDULE 09020 FOR ADDITIONAL NOTES AND INFORMATION.
2. PROVIDE BLOCKING AT ALL CASEWORK, GRAB BARS AND ACCESSORIES.
3. ALL CABINETS & DRAWERS TO BE LOCKABLE, TYP. ON ALL INTERIOR.
4. SEE SHEET A1-101-103 FOR FINISH SCHEDULE.
5. SEE SHEET A-701 FOR DOOR SCHEDULE.
6. SEE SHEET A-741-744 FOR WINDOW SCHEDULE.
7. SEE SHEET AC-201-203 FOR REFLECTED CEILING PLAN.
8. ALL COUNTER SINKS HAVE PAPER TOWEL DISPENSER AND SOAP DISPENSER.
9. SEE 1/A-900 TYPICAL WALL MOUNTED FIXTURE GROUPINGS.
10. SEE 10A-914 FOR TILE AT TYP. SHOWER FLOOR. SEE 11A-914 FOR TYP. TILE FLOOR - MORTAR BED.

**KEY NOTES - INTERIOR ELEVATION**

- PL-1 SEE FINISH SCHEDULE FOR FINISHES SECTION 09020
- 1 GYPSUM BOARD SOFFIT, SEE DETAIL 9/A-911
  - 2 SUSP. ACOUSTICAL CEILING, SEE DETAIL 1/A-920
  - 3 WASHER/DRYER, OFOI
  - 4 DOOR, PER SCHEDULE
  - 5 WINDOW, PER SCHEDULED
  - 6 SOAP DISPENSER, OFOI
  - 7 ELEVATOR DOOR
  - 8 FIRE HORN/STROBE
  - 9 STRUCTURAL STEEL BRACING, SSD.
  - 10 BASE, SEE FINISH SCHEDULE
  - 11 CASEWORK, SEE FINISH SCHEDULE AND CASEWORK DETAILS
  - 12 COUNTER TOP WITH BACKSPLASH
  - 13 COUNTER TOP WITHOUT BACKSPLASH
  - 14 MARKER BOARD, SEE DETAIL 16/A-900
  - 15 CORNER GUARD, SEE DETAIL 7/A-913
  - 16 CHEMICAL AUTO DILUTION SYSTEM, OFOI
  - 17 MIRROR
  - 18 STAIR
  - 19 LIGHTING, SEE ELECTRICAL DRAWING
  - 20 HANDRAIL
  - 21 GUARDRAIL, 42" MIN. A.F.F.
  - 22 SINK, SEE PLUMBING DRAWING
  - 23 WALL MOUNT RACK FOR MOPS, BROOM, ETC
  - 24 RECEPTION DESK
  - 25 UTILITY SHELF W/ MOP/BROOM HOLDERS & RAG HOOKS
  - 26 APPLIANCE BY OWNER, OFOI
  - 27 VENTILATION HOOD (SEE MECH. DWG.) - WALL MOUNTED
  - 28 ADA SHOWER, SEE 17/A-900
  - 29 RECESSED FIRE EXTINGUISHER CABINET, F.E. WITH CURRENT TAG, SEE DETAIL 6/A-900
  - 30 PARTIAL HEIGHT WALL
  - 31 ADA LOCKER @ 48" MAX. A.F.F. WITH SHELVES @ 15" AND PROVIDE U-SHAPED LATCH, SEE 14/A-900
  - 32 LOCKER, SEE DETAIL 15/A-900 FOR ANCHORAGE
  - 33 WALL PAINTED GYPSUM, PER FINISH SCHEDULE, TYP.
  - 34 BEYOND EXTERIOR CURTAIN WALL
  - 35 RECESSED PRODUCT DISPLAY SHELF
  - 36 LOCKER ROOM BENCH, OFOI
  - 37 SIGNAGE LETTERS
  - 38 ACCENT WALL TILE, SEE FINISH SCHEDULE 09020
  - 39 TACK BOARD AT SIDE WALL IN CLASSROOM TYP., OFOI
  - 40 WALL MOUNTED FLAT DISPLAY, OFOI
  - 41 INTERIOR ALUMINUM FRAMED STOREFRONT
  - 42 LCD SCREEN, OFOI
  - 43 PROJECT SCREEN, SEE T.A.D.
  - 44 WAINSCOT
  - 45 CHAIR RAIL
  - 46 VENDING MACHINE, OFOI
  - 47 WALL-MOUNTED WARMING UNIT, OFOI
  - 48 DISHWASHER
  - 49 FIRE HOSE VALVE CABINET, SEE 1 & 2/A-913
  - 50 LAUNDRY SINK, S.P.D.
  - 51 4'X8' FRP @ SINK
  - 52 PAPER TOWEL DISPENSER, OFOI
  - 53 CUSTODIAN'S IN-BOX, CLIP BOARD AND EMERGENCY RESPONSE INFORMATION, OFOI
  - 54 FIRE PLACE
  - 55 ENTERTAINMENT EQUIP. CABINET
  - 56 SAUNA
  - 57 SEISMIC JOINT COVER, WHERE OCCURS, SEE A-853
  - 58 OUTLET/DATAPHONE JACK FOR COMPUTER INSIDE/BEHIND CABINET, S.E.D.
  - 59 WALL MOUNTED SHELVES
  - 60 ADJUSTABLE SHELVING
  - 61 SMALL TOOL AND BRUSH ORGANIZER, OFOI
  - 62 WALL TILE, SEE FINISH SCHEDULE DETAIL 9/A-902
  - 63 CLOCK, S.E.D.
  - 64 COURTESY PHONE
  - 65 FIRE ANNUCIATOR, SEE F.A. DRAWING
  - 66 EMERGENCY EVACUATION PLAN
  - 67 PENCIL SHARPENER NEAR DOOR @ EACH CLASSROOM
  - 68 HAIR LAB STATION, SEE 1/A-930 FOR DETAILS
  - 69 SIGNAGE, SEE SHEET A-901 FOR DETAILS
  - 70 4'X8' ACOUSTIC WALL PANELS
  - 71 HAIR WASH SINK, S.P.D.
  - 72 ALUMINUM FASCIA MATCH ADJACENT WINDOW FRAME FINISH



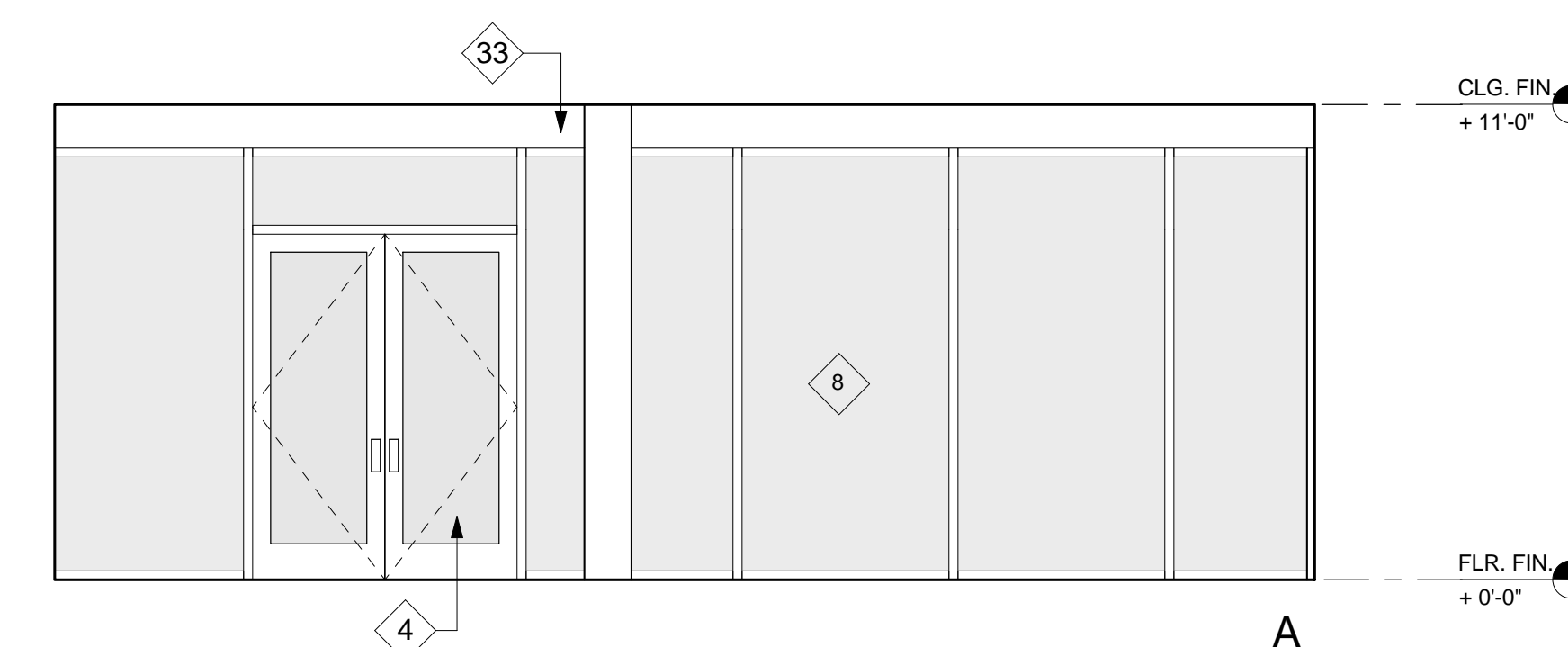
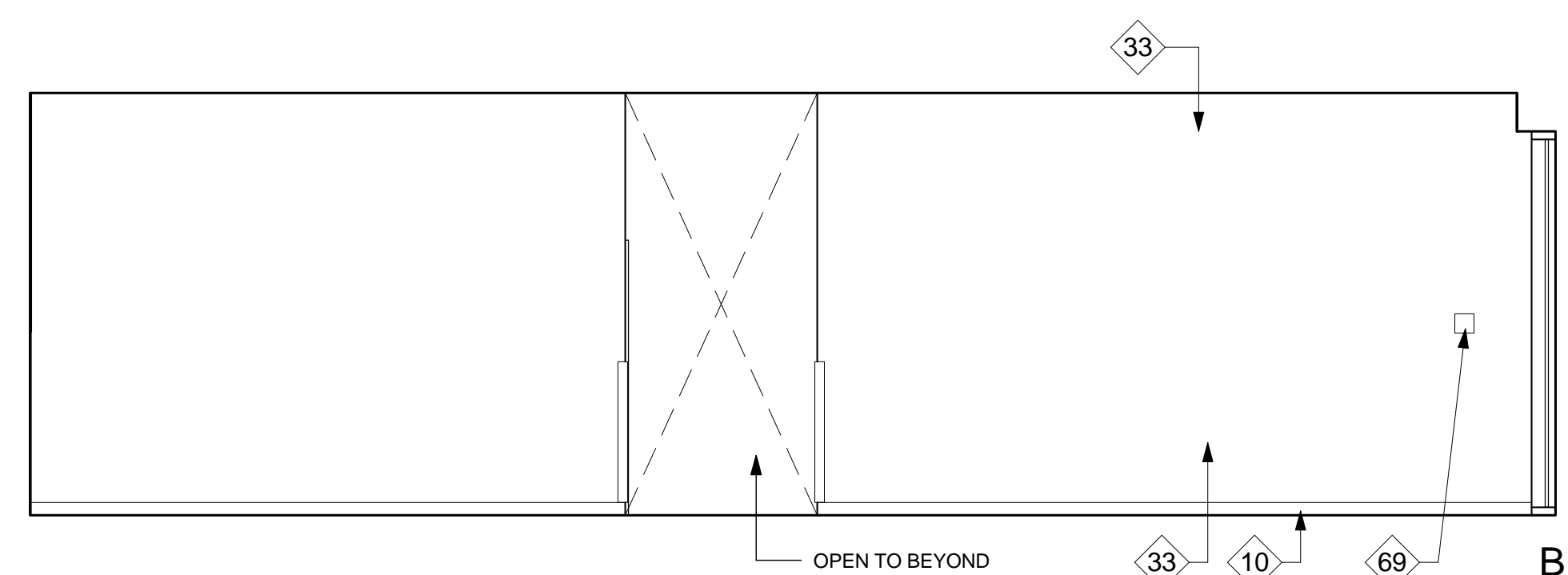
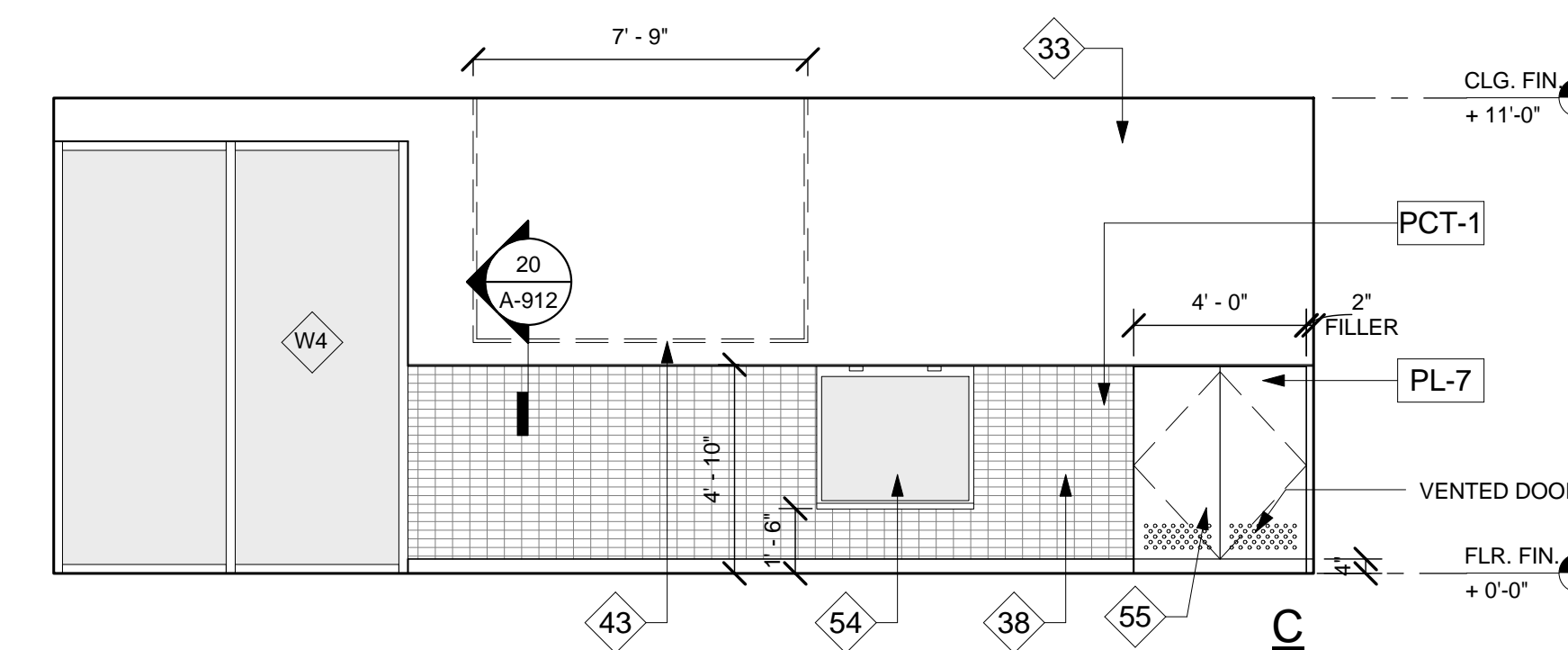
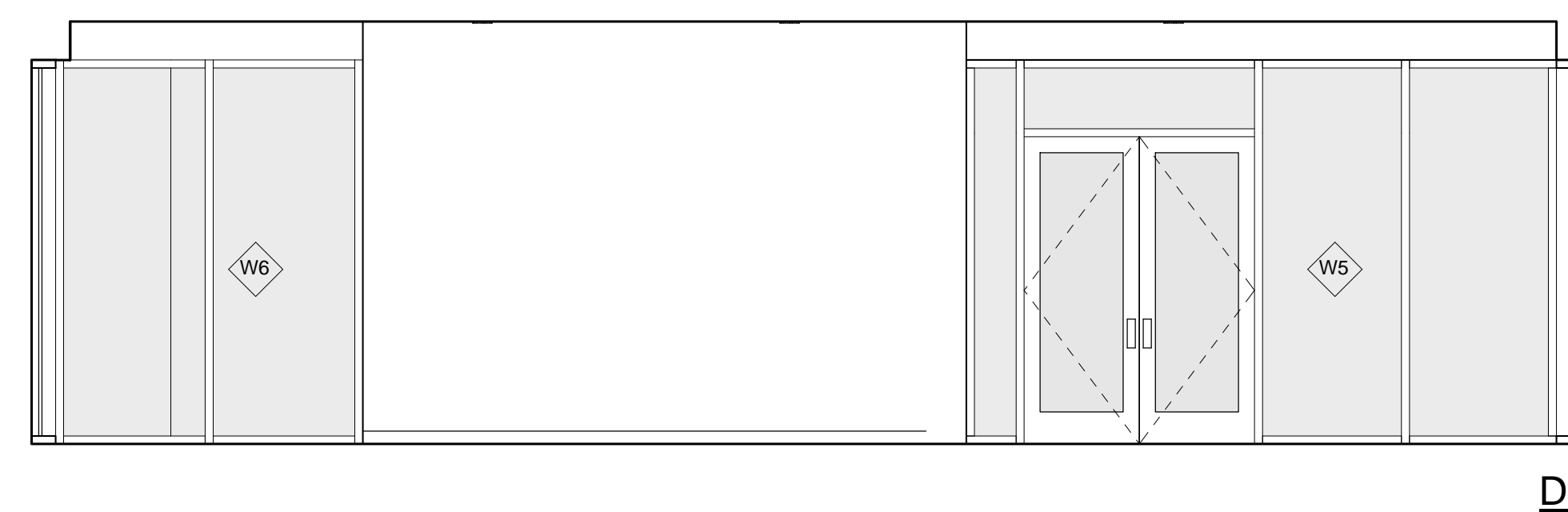
5 4-201 LARGE CLASSROOM  
1/4" = 1'-0"



2 4-312 VP INSTRUCTION (4-316 VPS SIMILAR)  
1/4" = 1'-0"

3 4-327 WORK/KITCHEN ROOM  
1/4" = 1'-0"

4 4-240B WORK /KITCHEN ROOM  
1/4" = 1'-0"



1 4-240 HOSTING GALLERY  
1/4" = 1'-0"