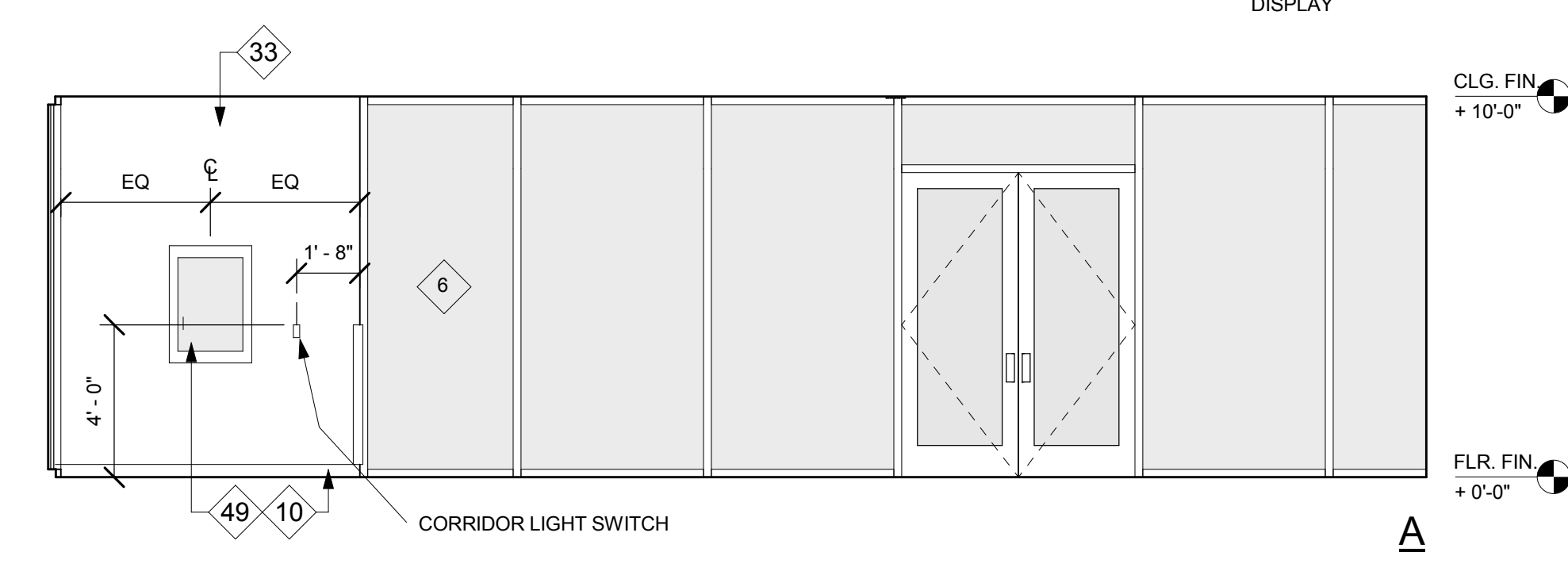
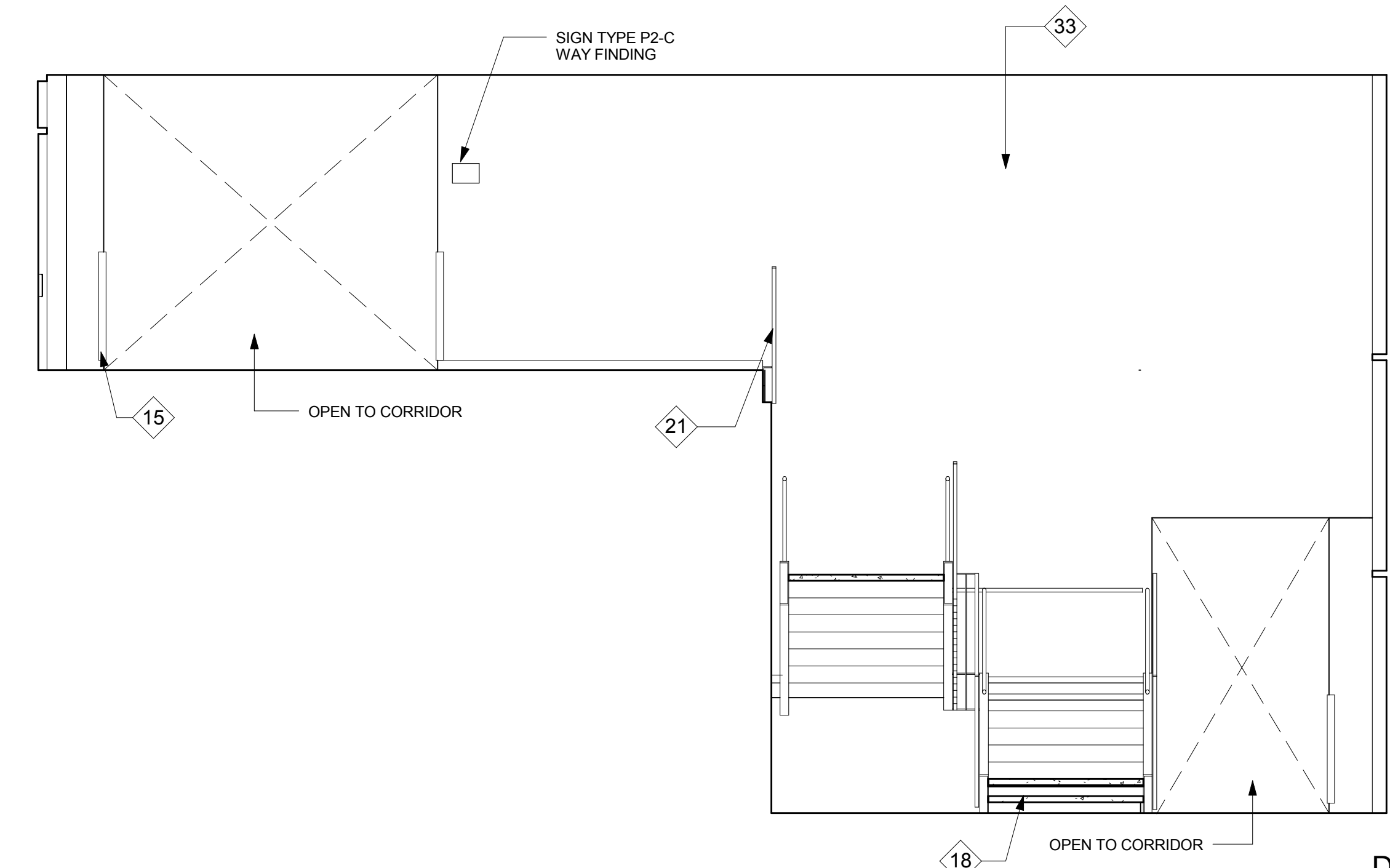
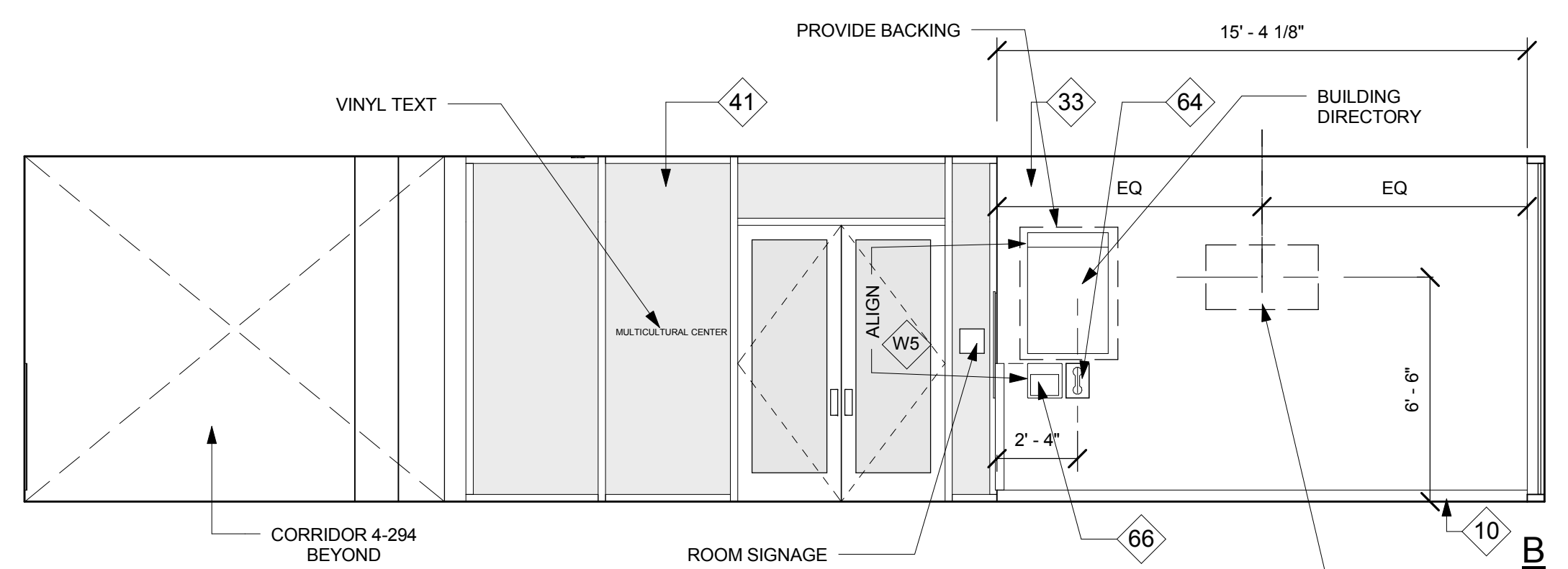
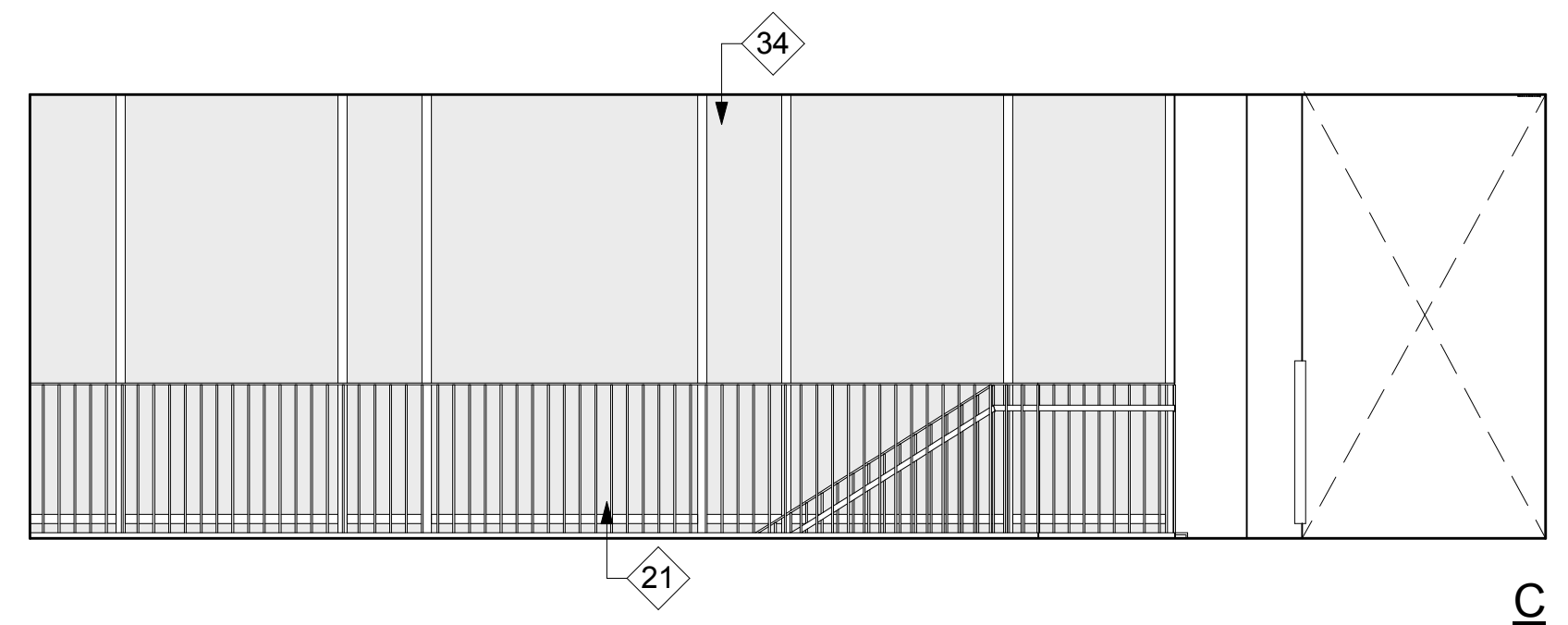


GENERAL NOTES

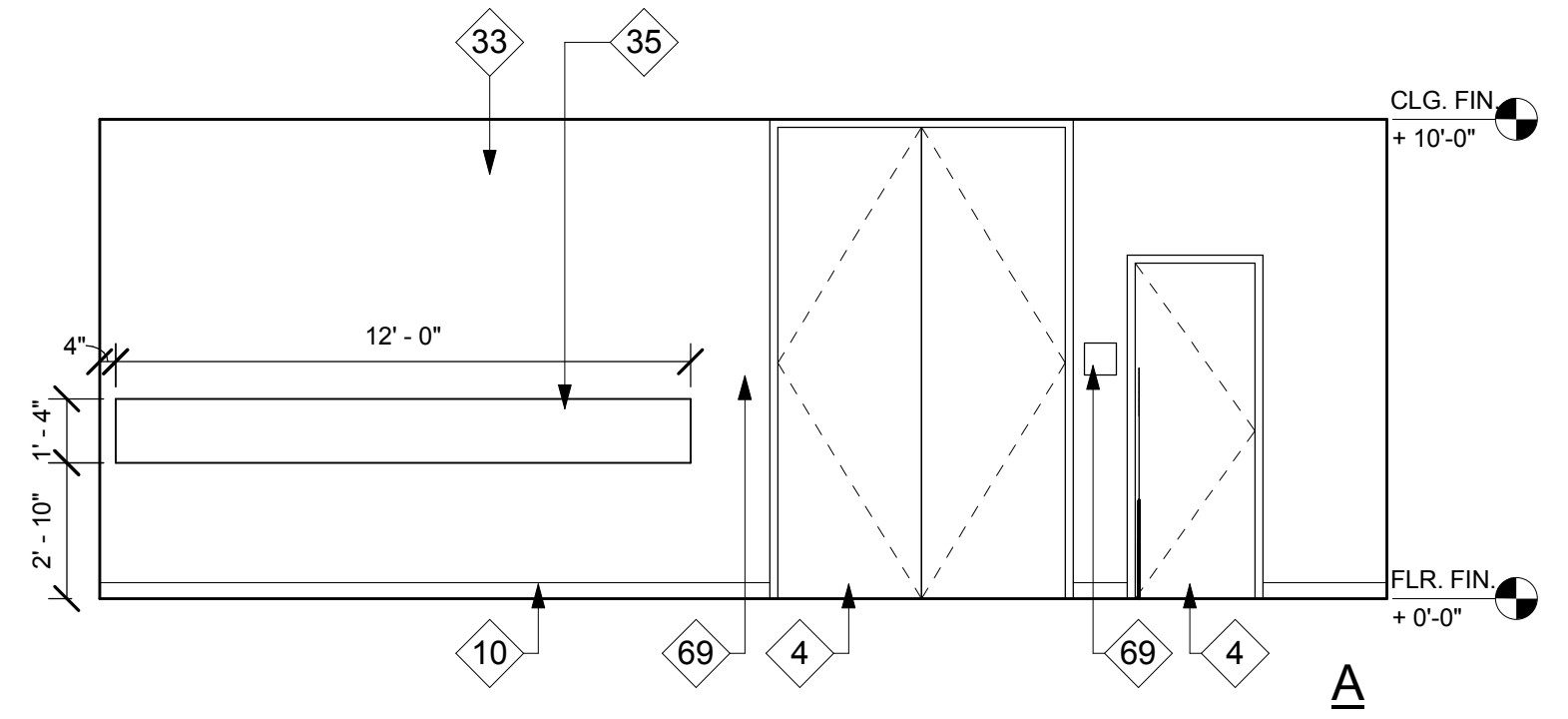
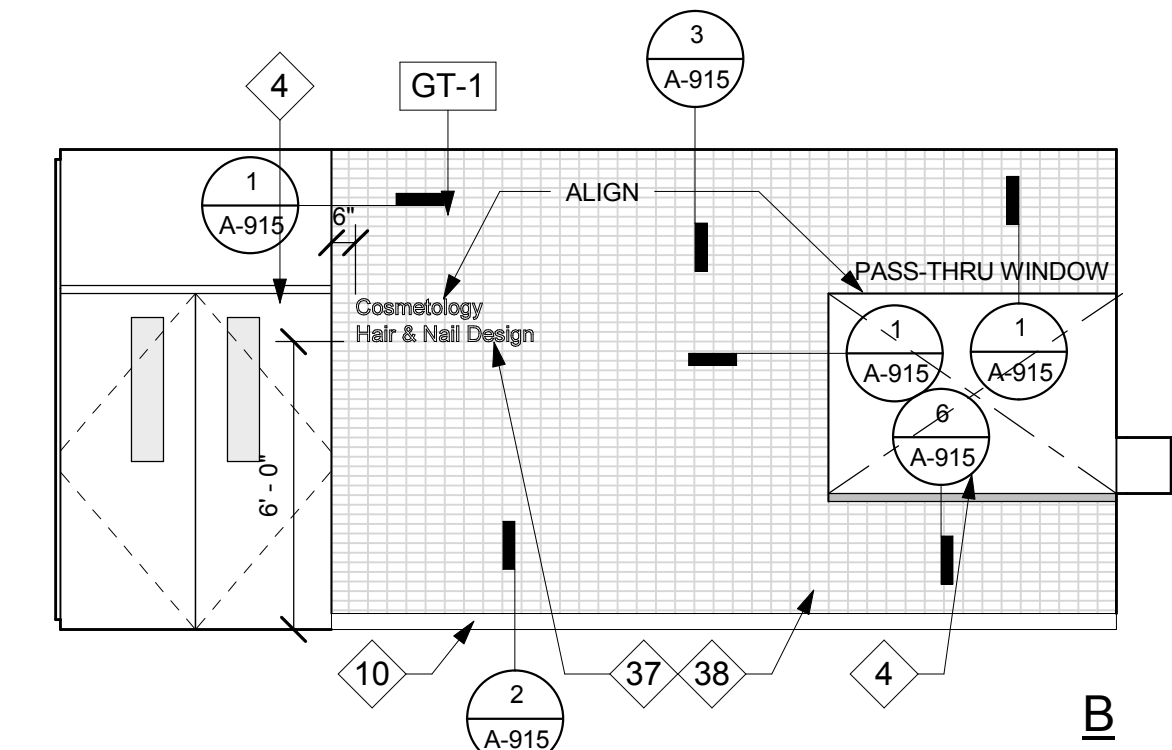
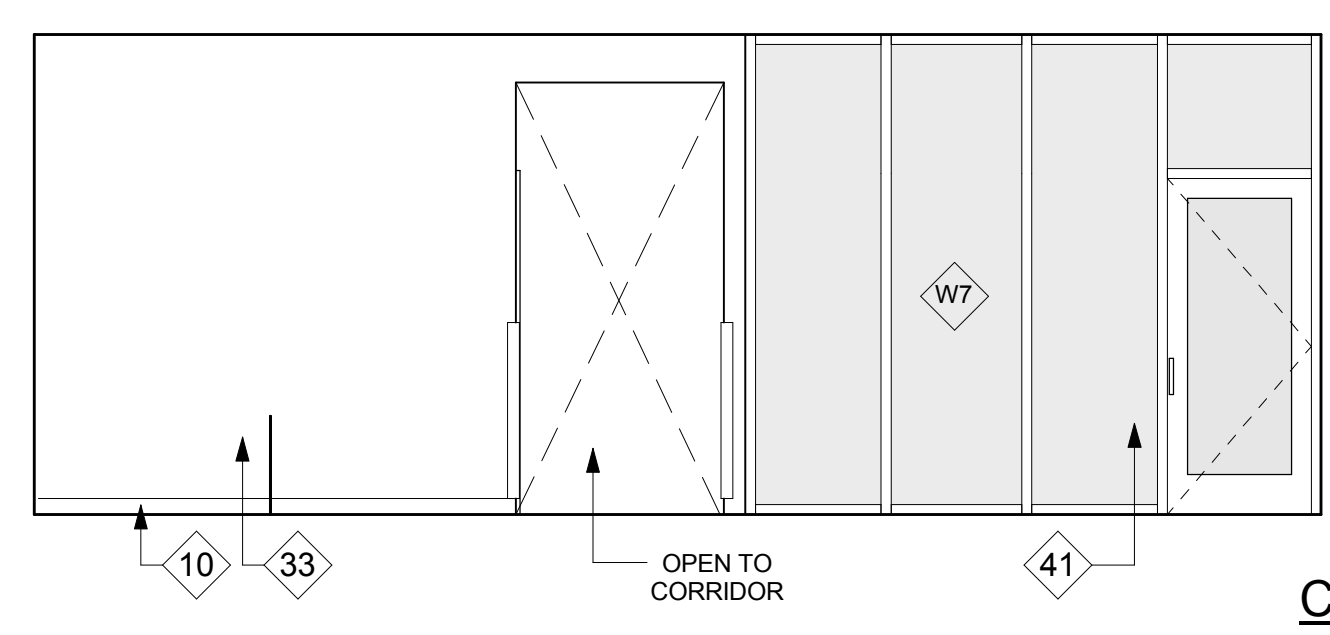
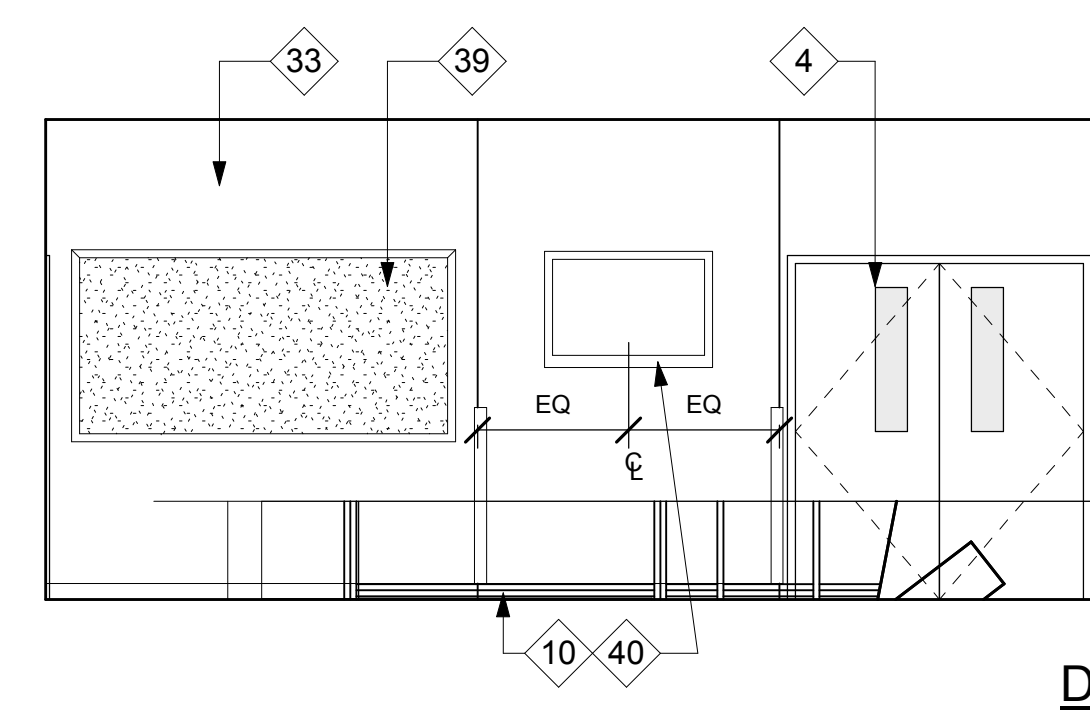
1. REFER TO ROOM FINISH SCHEDULE (SHT A1-101, 102 AND 103) AND FINISH SCHEDULE 09020 FOR ADDITIONAL NOTES AND INFORMATION.
2. PROVIDE BLOCKING AT ALL CASEWORK, GRAB BARS, AND ACCESSORIES.
3. ALL CABINETS & DRAWERS TO BE LOCKABLE, TYP. ON ALL INTERIOR.
4. SEE SHEET A1-101-103 FOR FINISH SCHEDULE.
5. SEE SHEET A-701 FOR DOOR SCHEDULE.
6. SEE SHEET A-741-744 FOR WINDOW SCHEDULE.
7. SEE SHEET AC-201-203 FOR REFLECTED CEILING PLAN.
8. ALL COUNTER SINKS HAVE PAPER TOWEL DISPENSER AND SOAP DISPENSER.
9. SEE 1A-900 TYPICAL WALL MOUNTED FIXTURE GROUPINGS.
10. SEE 10A-914 FOR TILE AT TYP. SHOWER FLOOR. SEE 11A-914 FOR TYP. TILE FLOOR - MORTAR BED.

KEY NOTES - INTERIOR ELEVATION

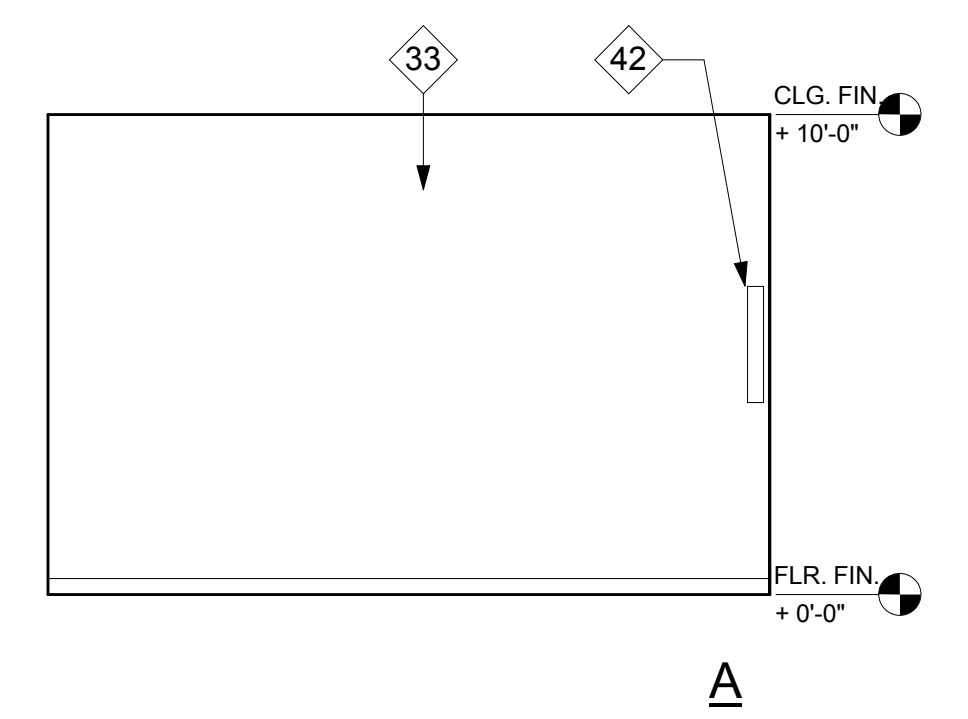
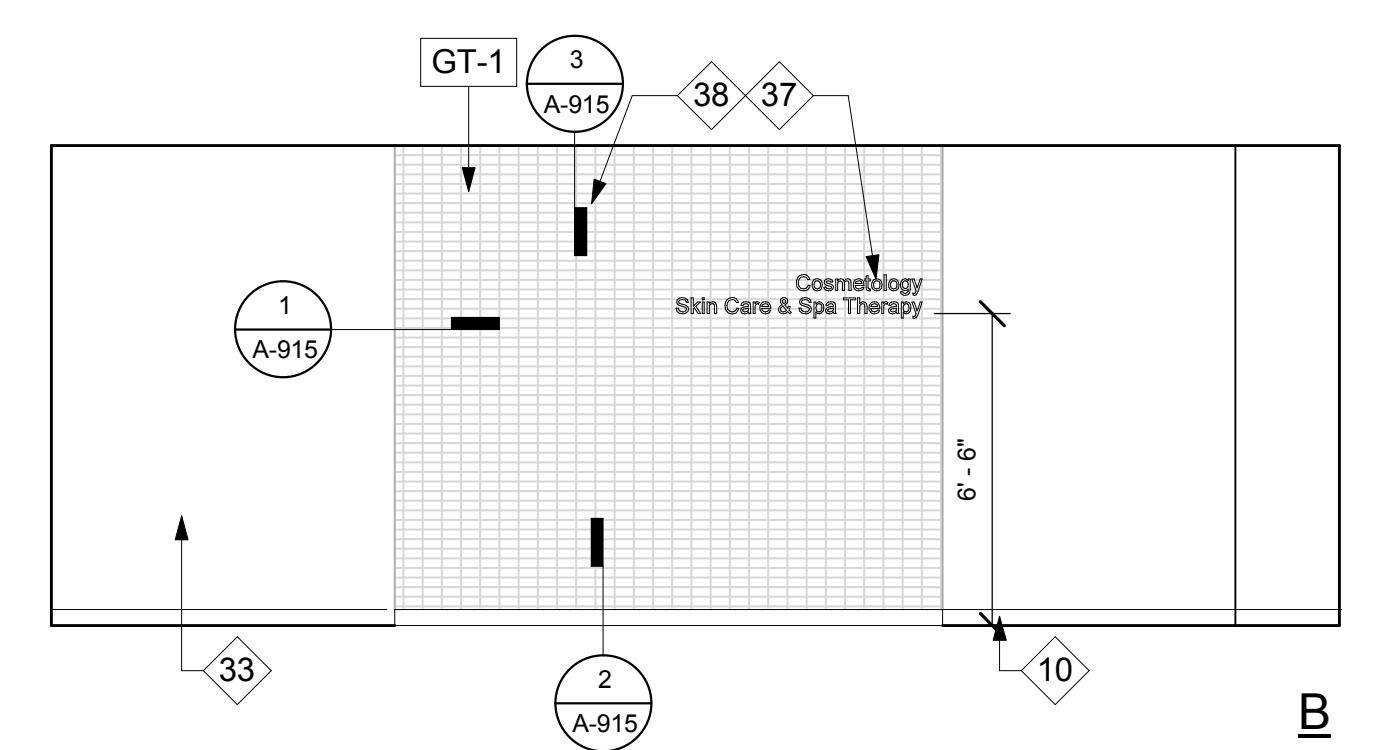
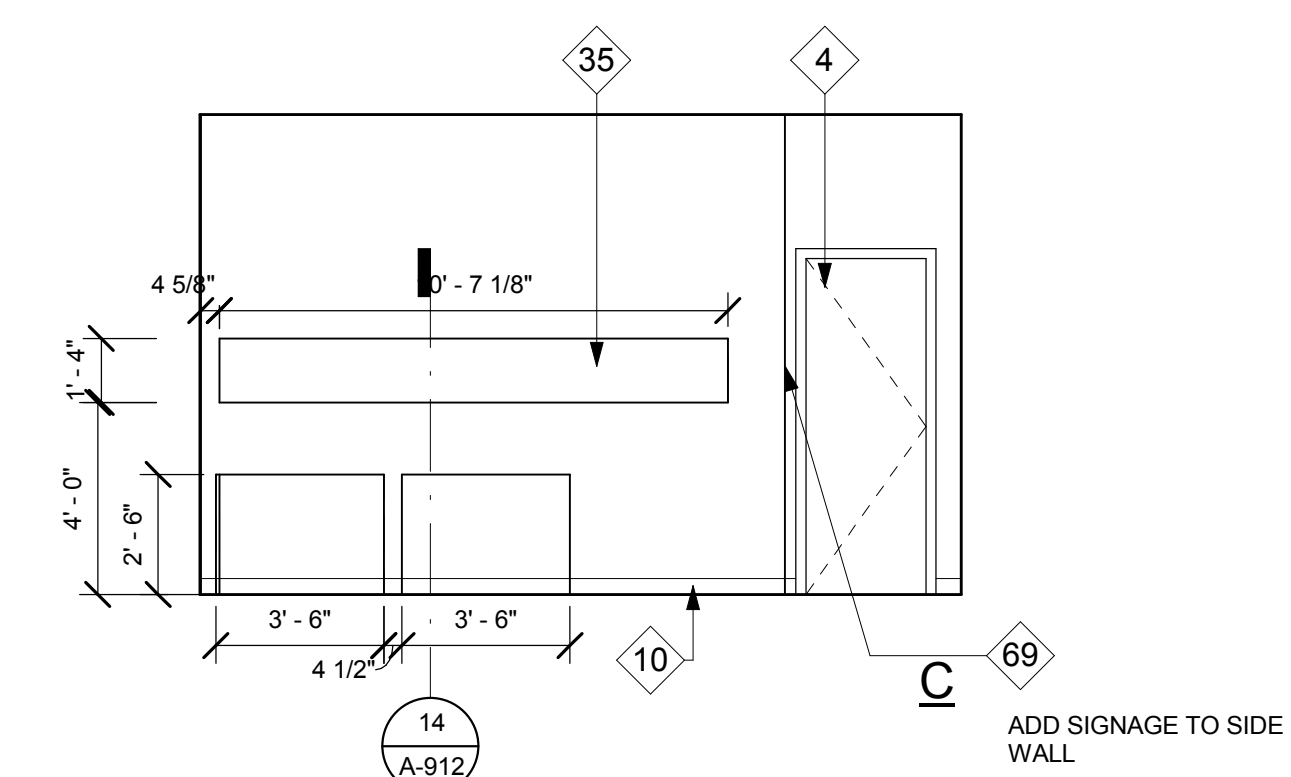
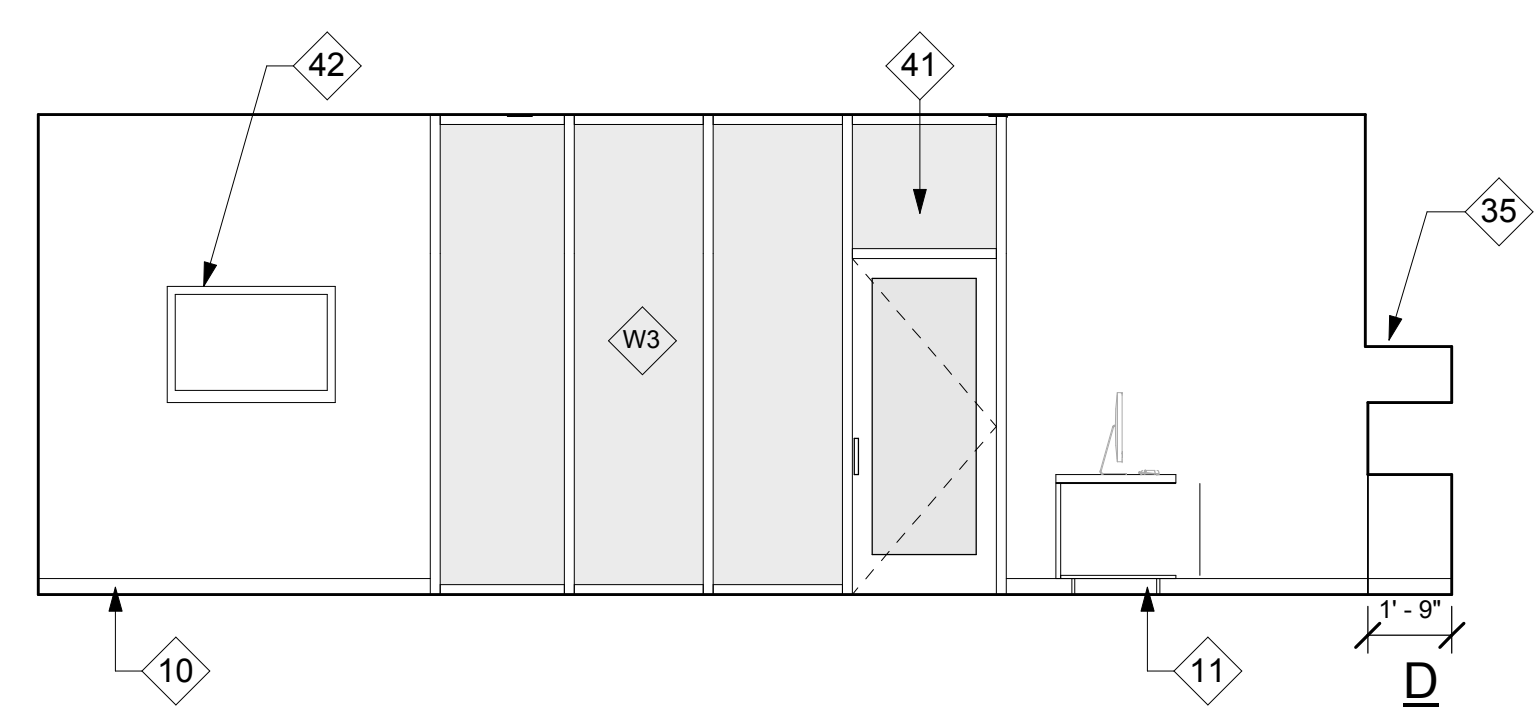
- PL-1 SEE FINISH SCHEDULE FOR FINISHES SECTION 09020
- 1 GYPSUM BOARD SOFFIT. SEE DETAIL 9/A-911
 - 2 SUSP. ACOUSTICAL CEILING. SEE DETAIL 1/A-920
 - 3 WASHER/DRYER, OFOI
 - 4 DOOR, PER SCHEDULE
 - 5 WINDOW, PER SCHEDULE
 - 6 SOAP DISPENSER, OFOI
 - 7 ELEVATOR DOOR
 - 8 FIRE HORN/STROBE.
 - 9 STRUCTURAL STEEL BRACING, SSD.
 - 10 BASE. SEE FINISH SCHEDULE
 - 11 CASEWORK, SEE FINISH SCHEDULE AND CASEWORK DETAILS
 - 12 COUNTER TOP WITH BACKSPASH
 - 13 COUNTER TOP WITHOUT BACKSPASH
 - 14 MARKER BOARD. SEE DETAIL 16/A-900
 - 15 CORNER GUARD, SEE DETAIL 7/A-913
 - 16 CHEMICAL AUTO DILUTION SYSTEM, OFOI
 - 17 MIRROR
 - 18 STAIR
 - 19 LIGHTING, SEE ELECTRICAL DRAWING
 - 20 HANDRAIL
 - 21 GUARDRAIL, 42" MIN. A.F.F.
 - 22 SINK, SEE PLUMBING DRAWING
 - 23 WALL MOUNT RACK FOR MOPS, BROOM, ETC
 - 24 RECEPTION DESK
 - 25 UTILITY SHELF W/ MOP/BROOM HOLDERS & RAG HOOKS
 - 26 APPLIANCE BY OWNER, OFOI
 - 27 VENTILATION HOOD (SEE MECH. DWG.) - WALL MOUNTED
 - 28 ADA SHOWER, SEE 17/A-900
 - 29 RECESSED FIRE EXTINGUISHER CABINET, F.E. WITH CURRENT TAG. SEE DETAIL 8/A-900
 - 30 PARTIAL HEIGHT WALL.
 - 31 ADA LOCKER @ 48" MAX. A.F.F. WITH SHELVES @ 15" AND PROVIDE U-SHAPED LATCH, SEE 14/A-900
 - 32 LOCKER, SEE DETAIL 15/A-900 FOR ANCHORAGE
 - 33 WALL PAINTED GYPSUM, PER FINISH SCHEDULE, TYP.
 - 34 BEYOND EXTERIOR CURTAIN WALL
 - 35 RECESSED PRODUCT DISPLAY SHELF
 - 36 LOCKER ROOM BENCH, OFOI
 - 37 SIGNAGE LETTERS
 - 38 ACCENT WALL TILE, SEE FINISH SCHEDULE 09020
 - 39 TACK BOARD AT SIDE WALL IN CLASSROOM TYP., OFOI
 - 40 WALL MOUNTED FLAT DISPLAY, OFOI
 - 41 INTERIOR ALUMINUM FRAMED STOREFRONT
 - 42 LCD SCREEN, OFOI
 - 43 PROJECT SCREEN, SEE T.A.D.
 - 44 WAHNSCOT
 - 45 CHAIR RAIL
 - 46 VENDING MACHINE, OFOI
 - 47 WALL-MOUNTED WARMING UNIT, OFOI
 - 48 REFRIGERATOR, OFOI
 - 49 FIRE HOSE VALVE CABINET, SEE 1 & 2/A-913
 - 50 LAUNDRY SINK, S.P.D.
 - 51 4'X8' FRP @ SINK
 - 52 PAPER TOWEL DISPENSER, OFOI
 - 53 CUSTODIAN'S IN-BOX, CLIP BOARD AND EMERGENCY RESPONSE INFORMATION, OFOI
 - 54 FIRE PLACE
 - 55 ENTERTAINMENT EQUIP. CABINET
 - 56 SAUNA
 - 57 SEISMIC JOINT COVER, WHERE OCCURS, SEE A-853
 - 58 OUTLET/DATA/PHONE JACK FOR COMPUTER INSIDE/BEHIND CABINET, S.E.D.
 - 59 WALL MOUNTED SHELVES
 - 60 ADJUSTABLE SHELVING
 - 61 SMALL TOOL AND BRUSH ORGANIZER, OFOI
 - 62 WALL TILE, SEE FINISH SCHEDULE DETAIL 9/A-502
 - 63 CLOCK, S.E.D.
 - 64 COURTESY PHONE
 - 65 FIRE ANNIKIATOR, SEE F.A. DRAWING
 - 66 EMERGENCY EVACUATION PLAN
 - 67 PENCIL SHARPENER NEAR DOOR @ EACH CLASSROOM
 - 68 HAIR LAB STATION, SEE 1/A-930 FOR DETAILS
 - 69 SIGNAGE, SEE SHEET A-901 FOR DETAILS
 - 70 4'X8' ACOUSTIC WALL PANELS
 - 71 HAIR WASH SINK, S.P.D.
 - 72 ALUMINUM FASCIA MATCH ADJACENT WINDOW FRAME FINISH



3 4-293 ENTRY LOBBY
1/4" = 1'-0"



2 4-208 CLIENT RECEPTION ELEVATIONS
1/4" = 1'-0"



1 4-110 LOBBY/CLIENT RECEPTION ELEVATIONS
1/4" = 1'-0"