

**GENERAL NOTES**

- SEE DETAILS 1 & 10/A-900 FOR ACCESSIBLE MOUNTING HEIGHTS AND CLEARANCE DIMENSIONS OF FIXTURES NOT SHOWN.
- FOR FINISHES, SEE FINISH SCHEDULE ON SHEET AI-101,102&103
- SEE 9/A-502 FOR TYPICAL CERAMIC TILE PATTERN.
- CLOTHES HOOK AND BUMPER ON STALL DOORS AT 60" A.F.F. ON CENTER, AT 38"-40" A.F.F. FOR ADA WATER CLOSE.
- SEE INTERIOR FINISH SCHEDULE SECTION 090020 FOR FINISHES
- SEE 9/A-914 FOR TYP. TILE FLOOR - THINSET DETAIL.

**KEY NOTES - RESTROOM**

- PARTITION MOUNTED SEAT COVER & TOILET TISSUE DISPENSERS
- RECESSED SEAT COVER & TOILET TISSUE DISPENSERS
- SURFACE MOUNTED SEAT COVER & TOILET TISSUE DISPENSERS
- NOT USE
- WALL MOUNTED SOAP DISPENSER
- STAINLESS STEEL CHANNEL FRAME GLASS MIRROR/SHELF COMBINATION
- WALL HUNG URINAL SCREEN
- WALL/DOOR MOUNTED CONVENIENCE COAT HOOK
- SANITARY NAPKIN/TAMPON VENDOR
- ACCESS PANEL FOR WATER HAMMER ARRESTOR & AP PRIMER, S.P.D. FOR LOCATION
- OVERHEAD-BRACED TOILET PARTITION
- 36" MIN. 1-1/2" DIAMETER GRAB BAR, SEE 5/A-900 FOR ANCHORAGE DETAIL
- 42" MIN. 1-1/2" DIAMETER GRAB BAR, SEE 5/A-900 FOR ANCHORAGE DETAIL
- CERAMIC TILE, SEE DETAIL 9/A-502
- CERAMIC TILE COVERED BASE
- WALL MOUNTED TOILET, S.P.D.
- WALL MOUNTED URINAL, S.P.D.
- WALL-HUNG LAVATORY, SEE DETAIL 2/A-913 INSULATE DRAIN AND HOT WATER PIPE, S.P.D.
- DRINKING FOUNTAIN, SEE 11/A-900
- HOSE BIB
- SEMIGLOSS PAINTED, GYPSUM TYP., SEE FINISH SCHEDULE
- CONVENIENCE SHELF
- SEMI-RECESS PAPER TOWEL DISPENSER AND WASTE CONTAINER
- SAME AS 1
- SAME AS 2
- SAME AS 3
- CORNER GUARD
- WALL TO FLOOR GRAB BAR, SEE DETAIL 13/A-900

NO. ISSUES/REVISIONS DATE

**PROJECT RECORD SET**

**BUILDING 4  
SKYLINE COLLEGE**

SAN MATEO COUNTY  
COMMUNITY COLLEGE  
DISTRICT

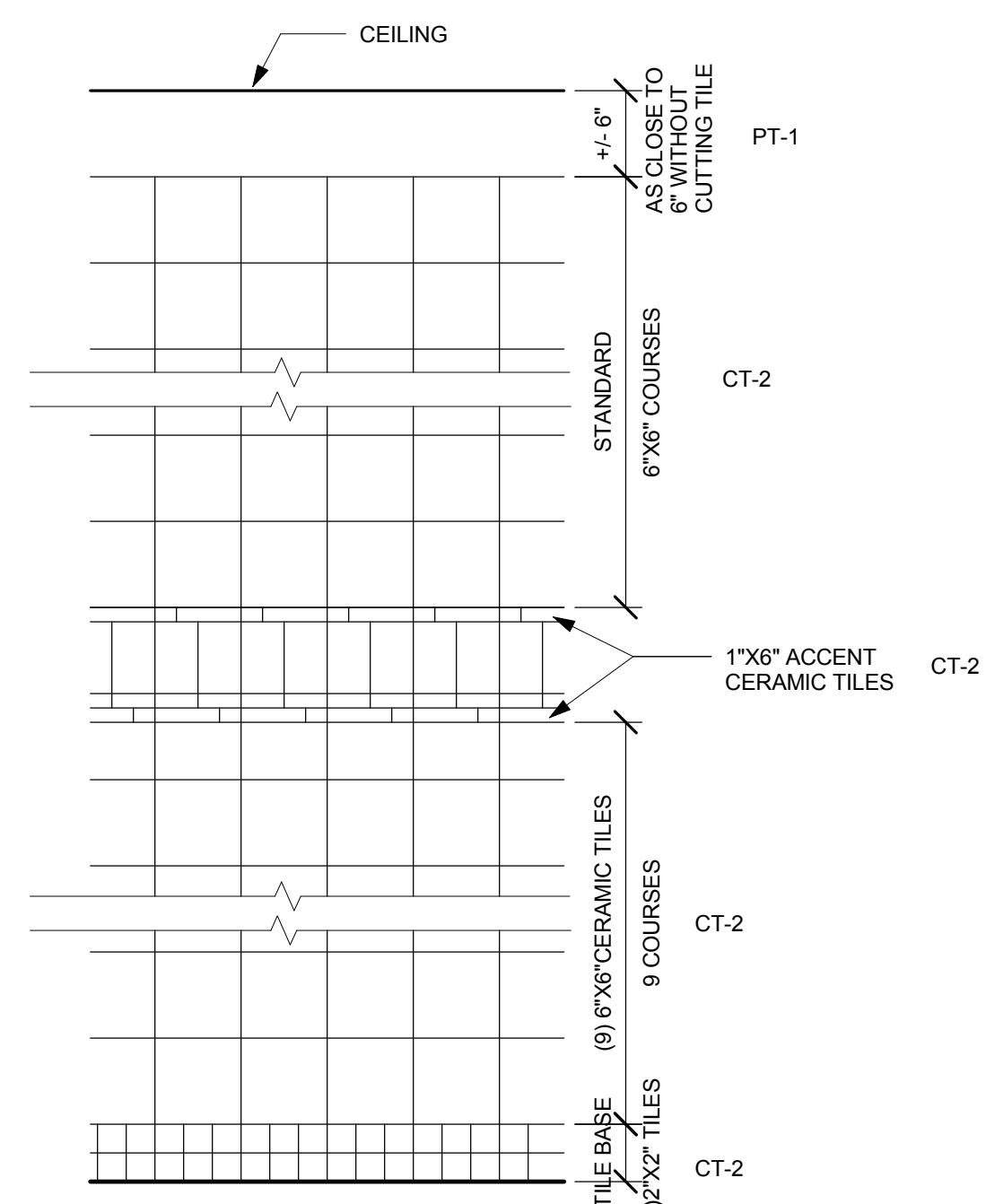
**CIP2 DESIGN-BUILD  
PROJECT  
BUILDING 4**

PROJECT NO.: 07012.00 DRAWN BY: BC  
DATE: 05/19/08 CHECKED BY: LG  
SCALE: As indicated

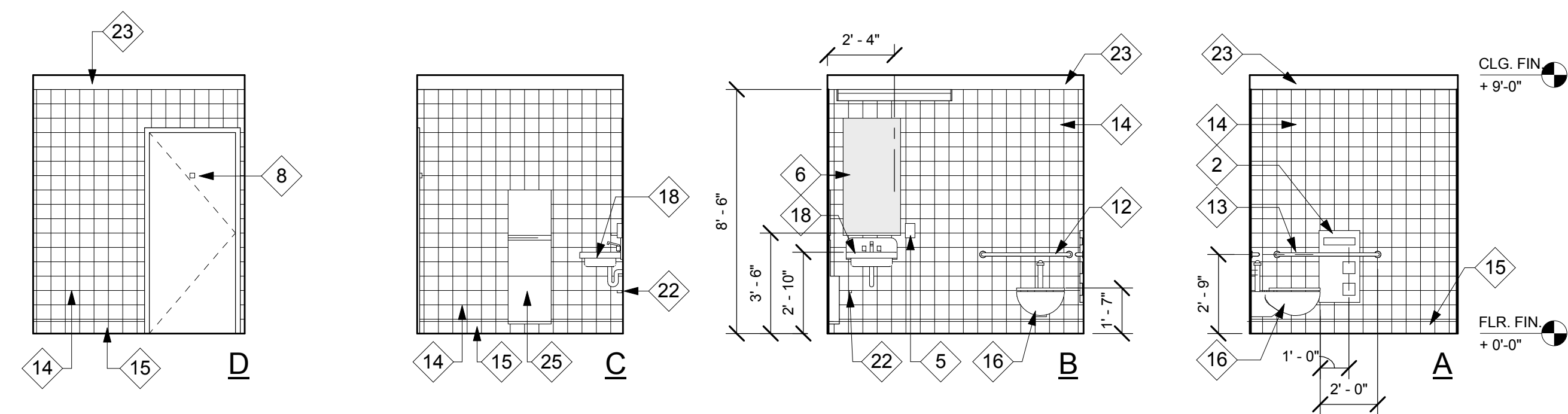
**SHEET TITLE:  
INTERIOR  
ELEVATION  
(RESTROOM)**

SHEET NO.

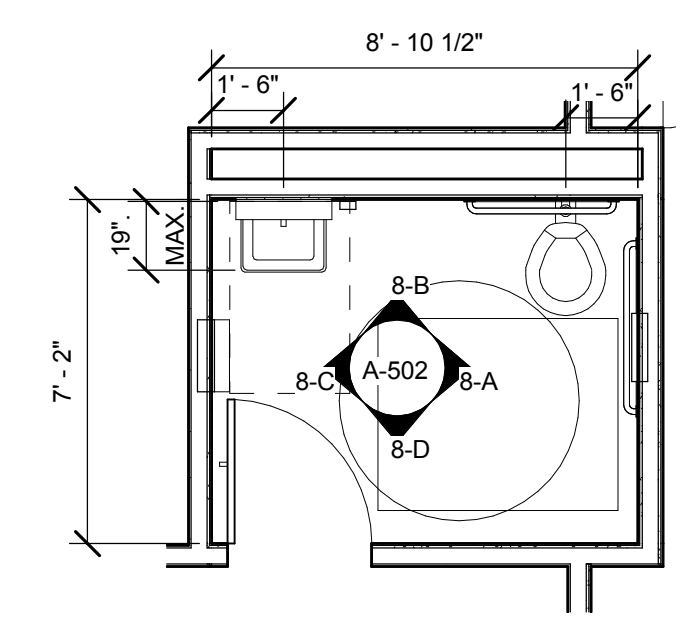
A-502



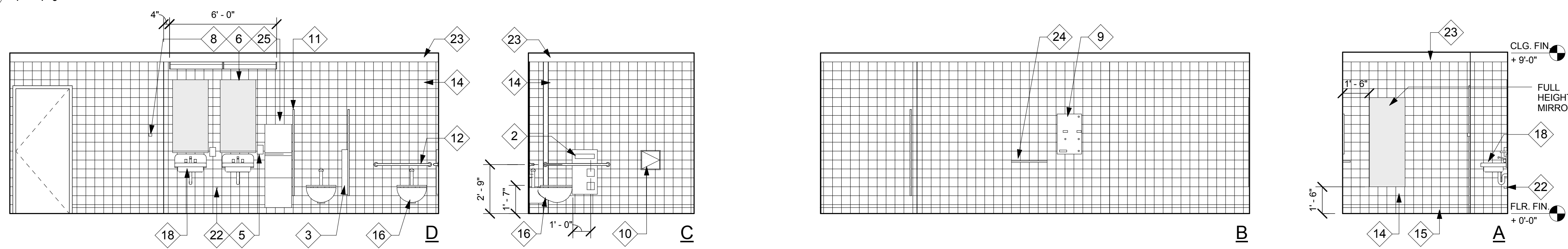
**8 4-142 STAFF RESTROOM ELEVATIONS**  
1/4" = 1'-0"



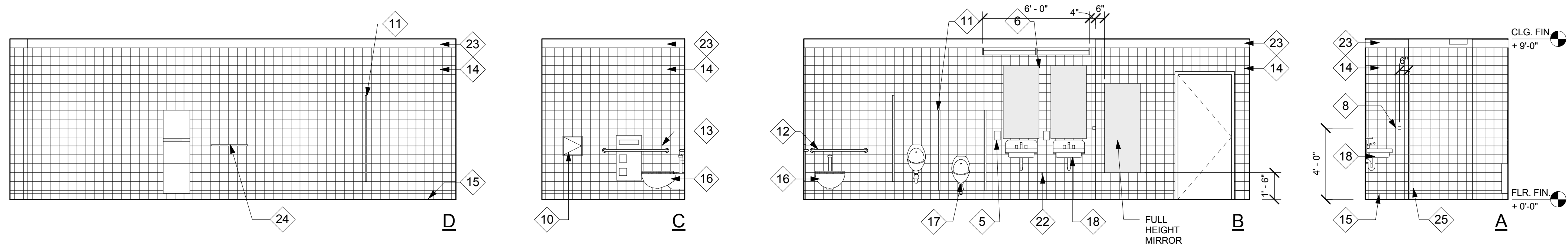
**7 4-142 STAFF RESTROOM PLAN**  
1/4" = 1'-0"



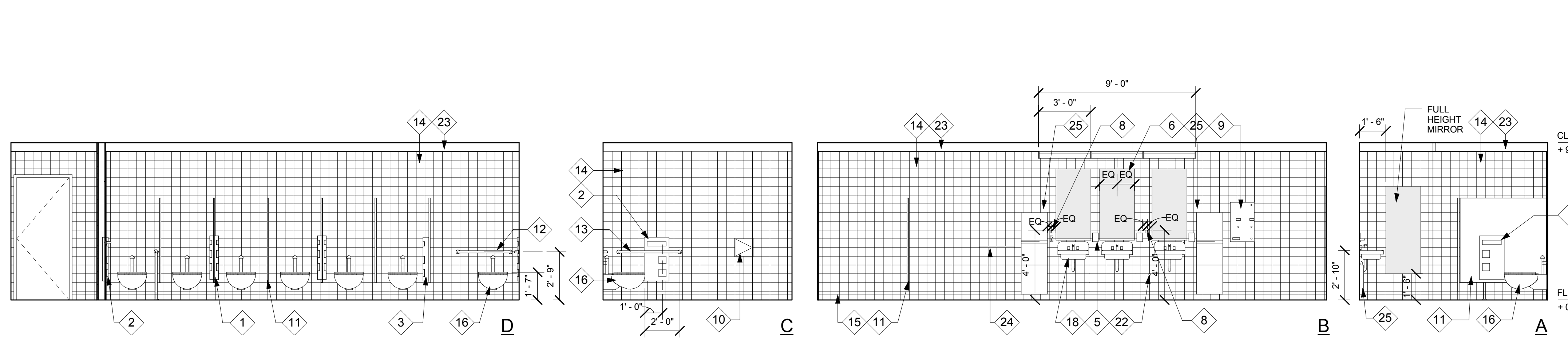
**9 TYP. TOILET WALL TILE FINISH**  
1" = 1'-0"



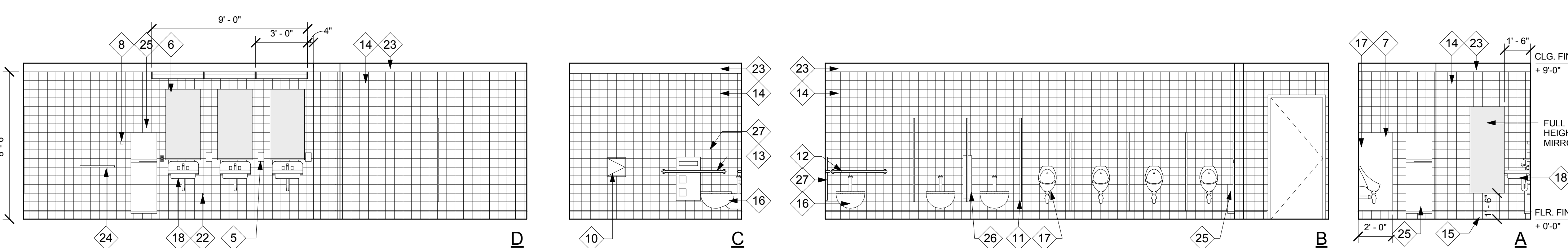
**6 4-262 WOMEN'S RESTROOM ELEVATIONS**  
1/4" = 1'-0"



**5 4-260 MEN'S RESTROOM ELEVATIONS**  
1/4" = 1'-0"



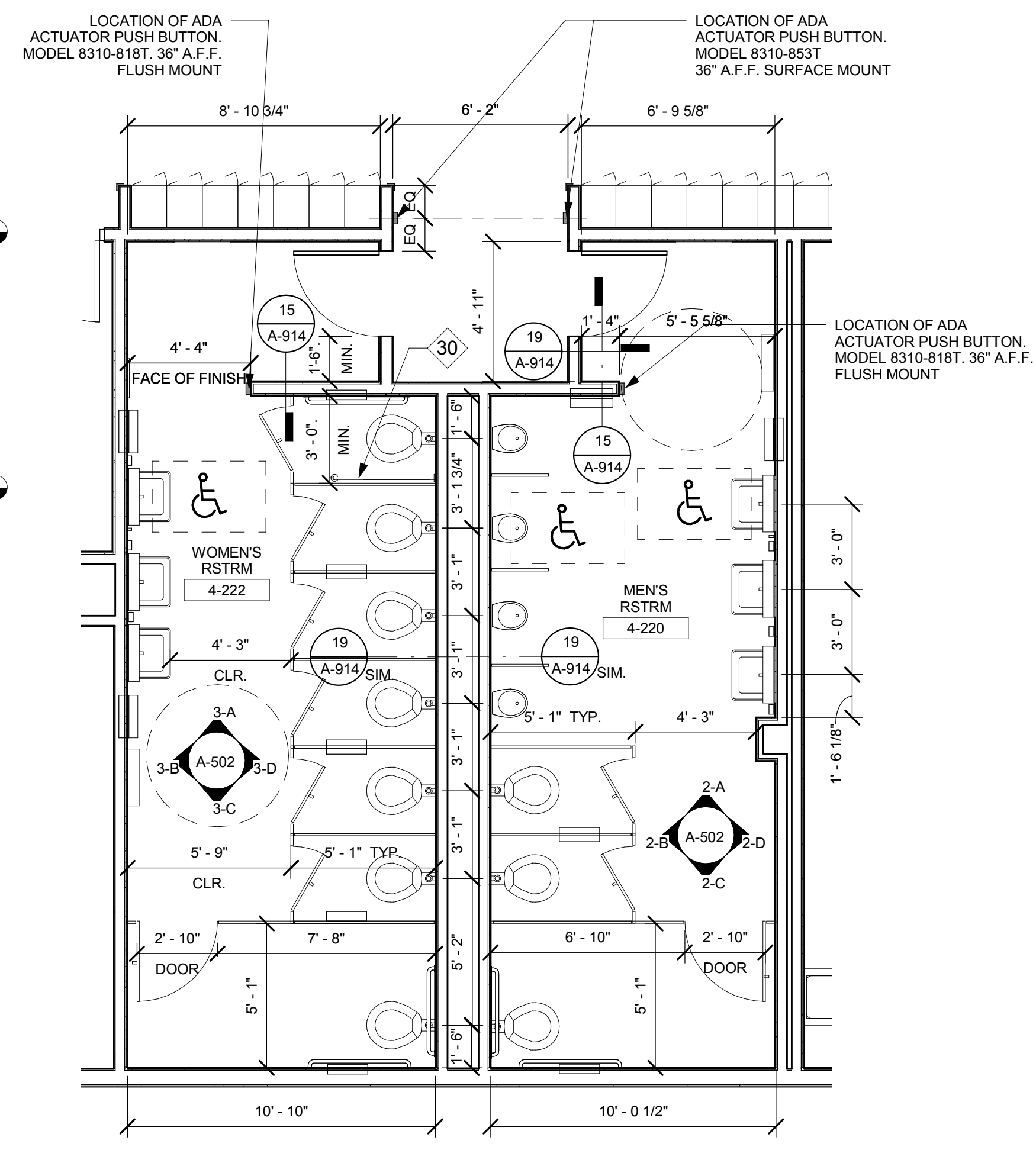
**3 4-222 WOMEN'S RESTROOM ELEVATIONS**  
1/4" = 1'-0"



**2 4-220 MEN'S RESTROOM ELEVATIONS**  
1/4" = 1'-0"



**4 4-260/262 STUDENT RESTROOM PLAN**  
1/4" = 1'-0"



**1 4-220/222 STUDENT RESTROOM PLAN**  
1/4" = 1'-0"