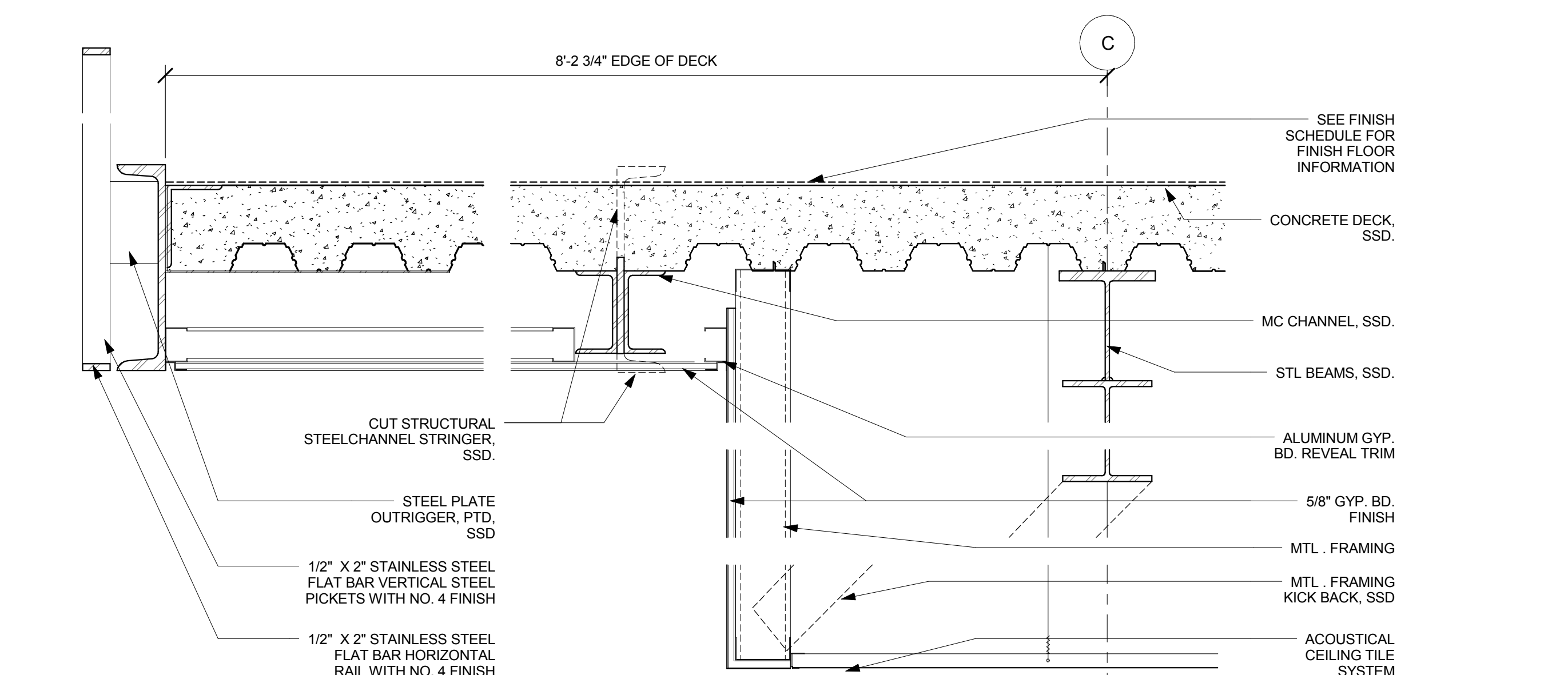
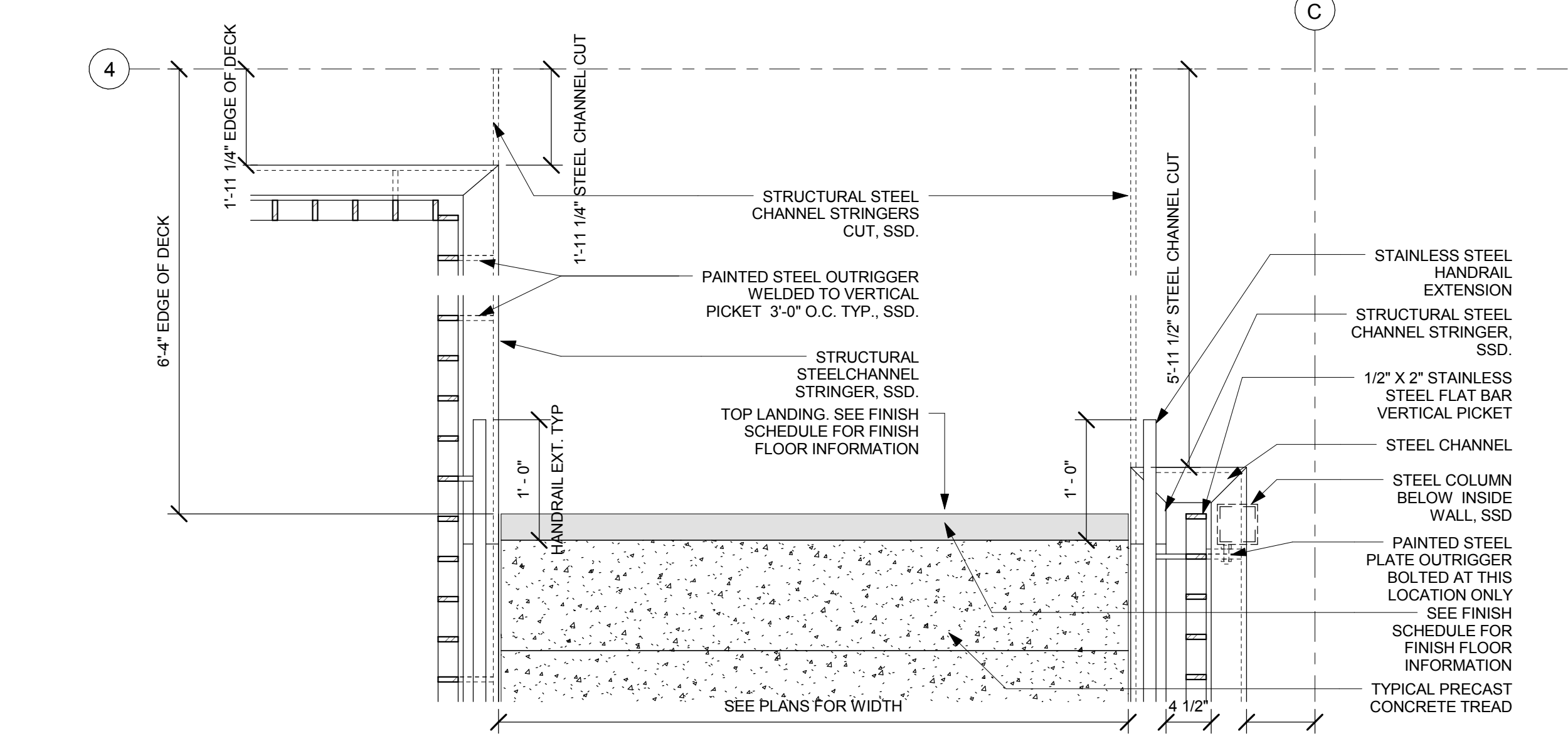


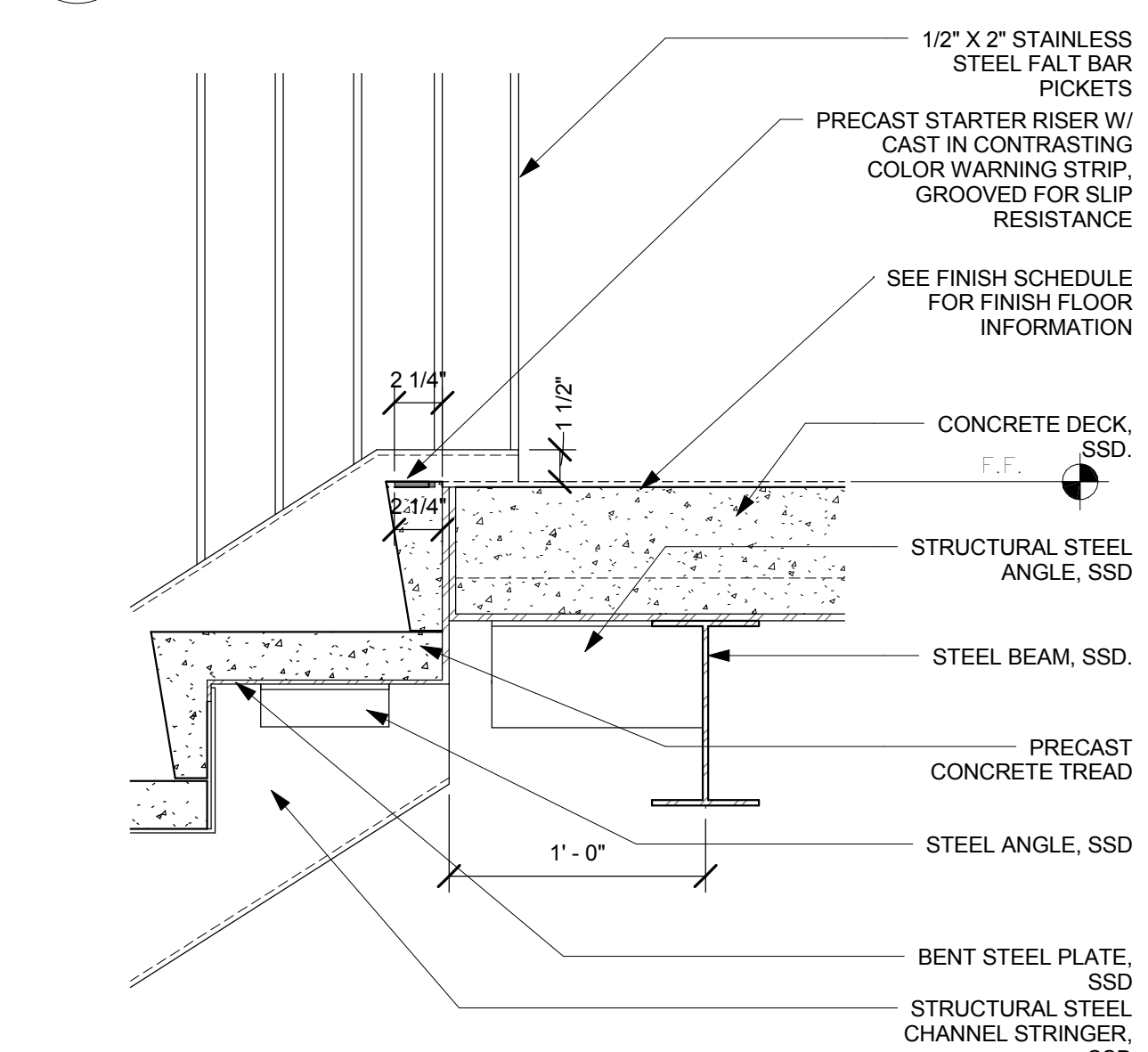
**20R** WALL FINISH AT STAIR STRINGER  
3" = 1'-0"



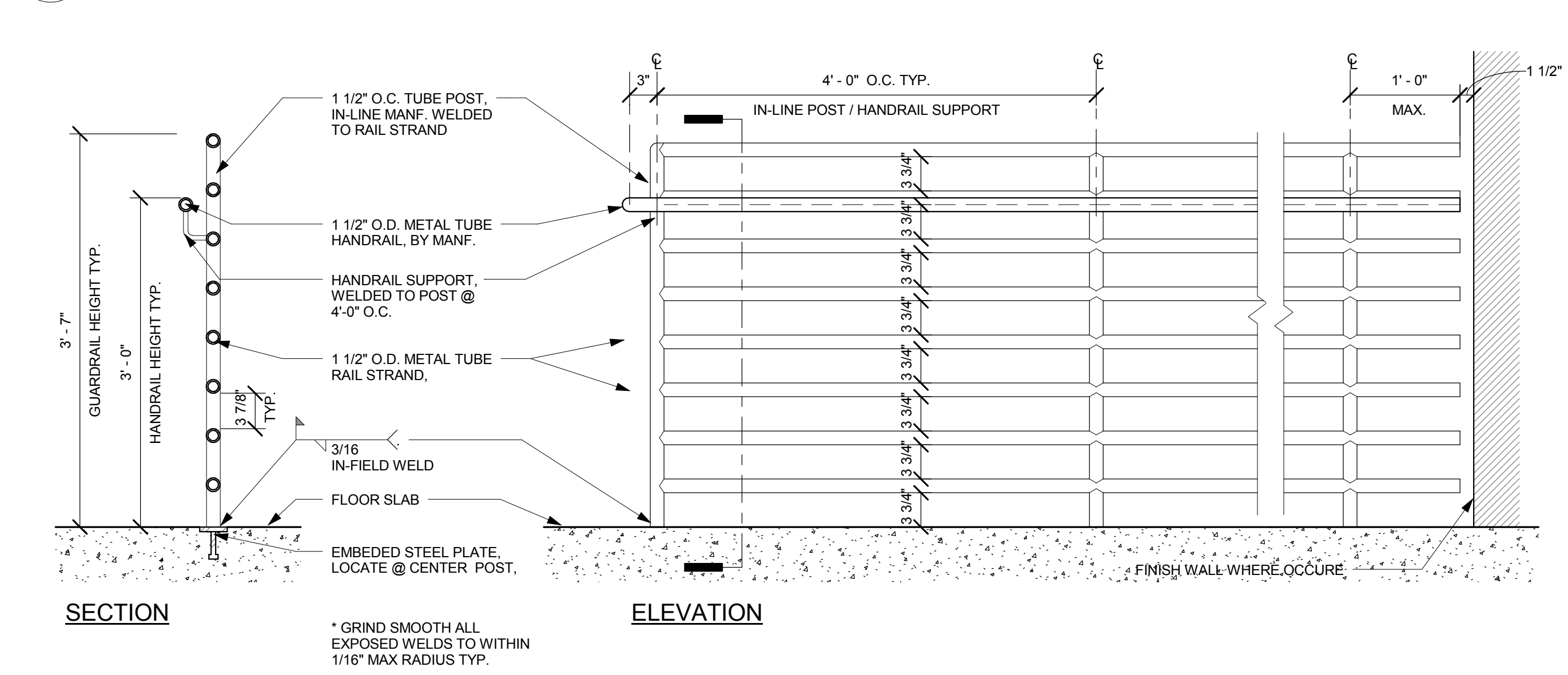
**16** TOP LANDING SECTION ST05  
1 1/2" = 1'-0"



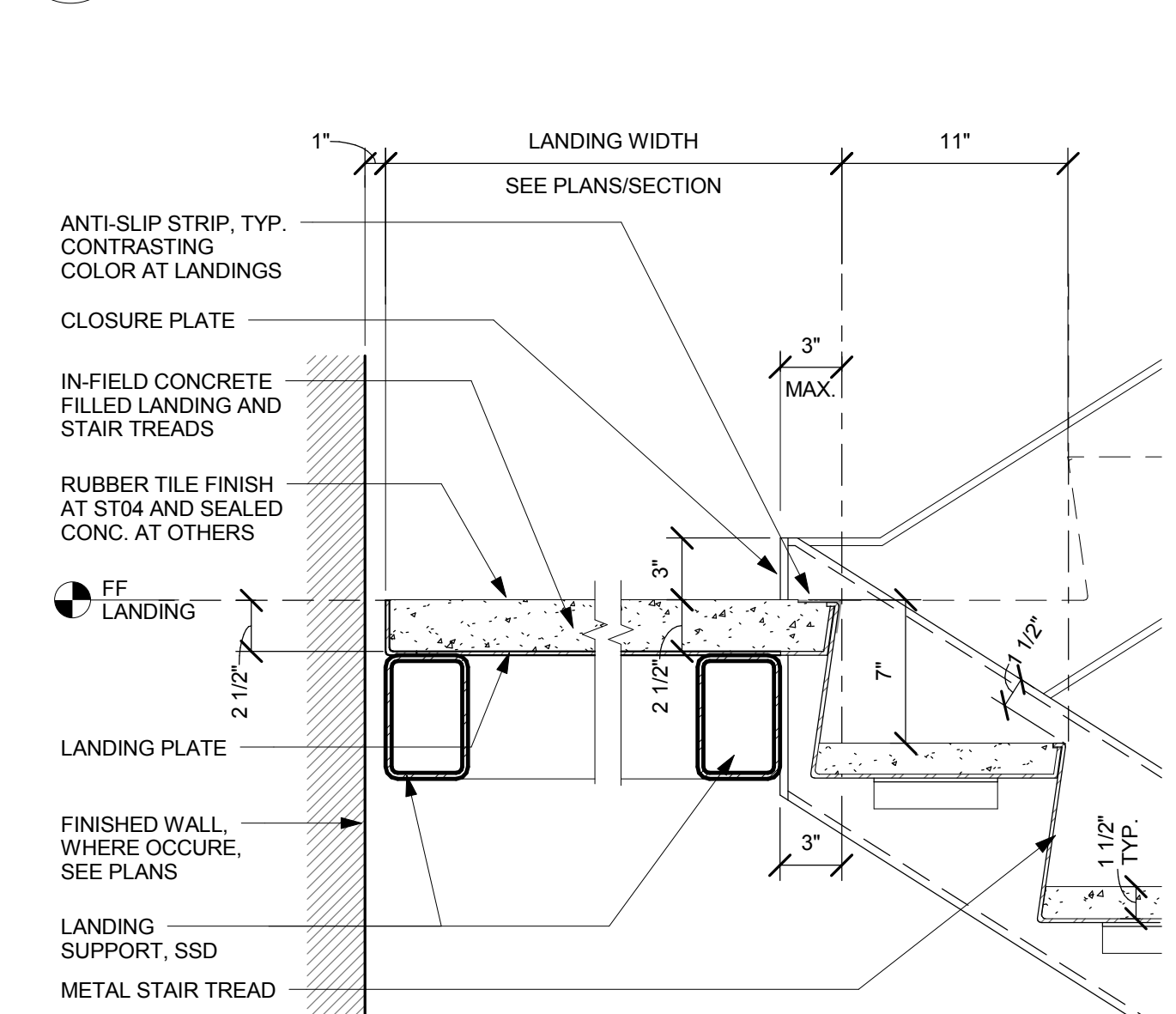
**8** TOP LANDING PLAN VIEW ST 05  
1" = 1'-0"



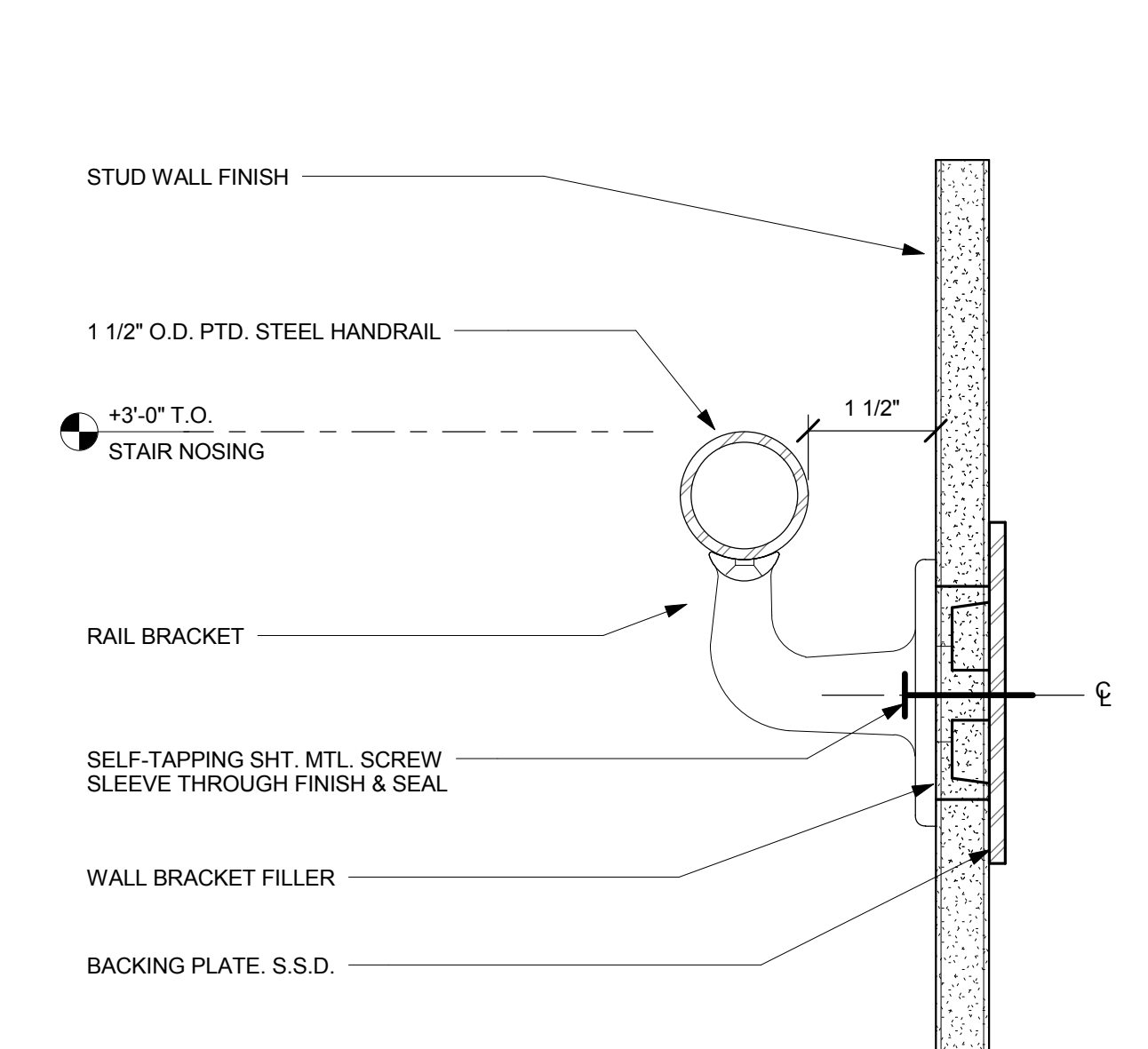
**19** PRECAST AT TOP LANDING ST02  
1 1/2" = 1'-0"



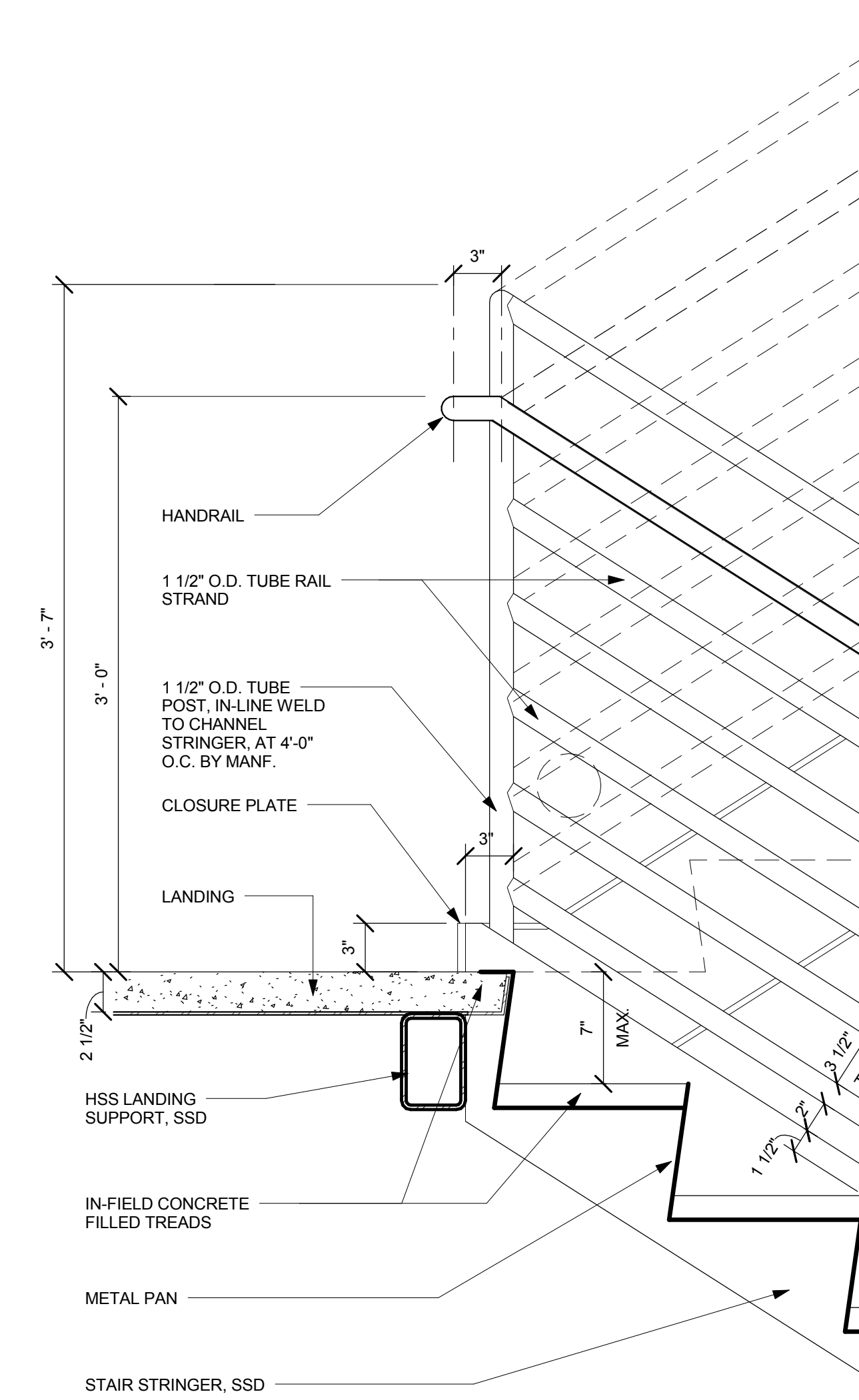
**15** STEEL PIPE - BALCONY RAILING  
1" = 1'-0"



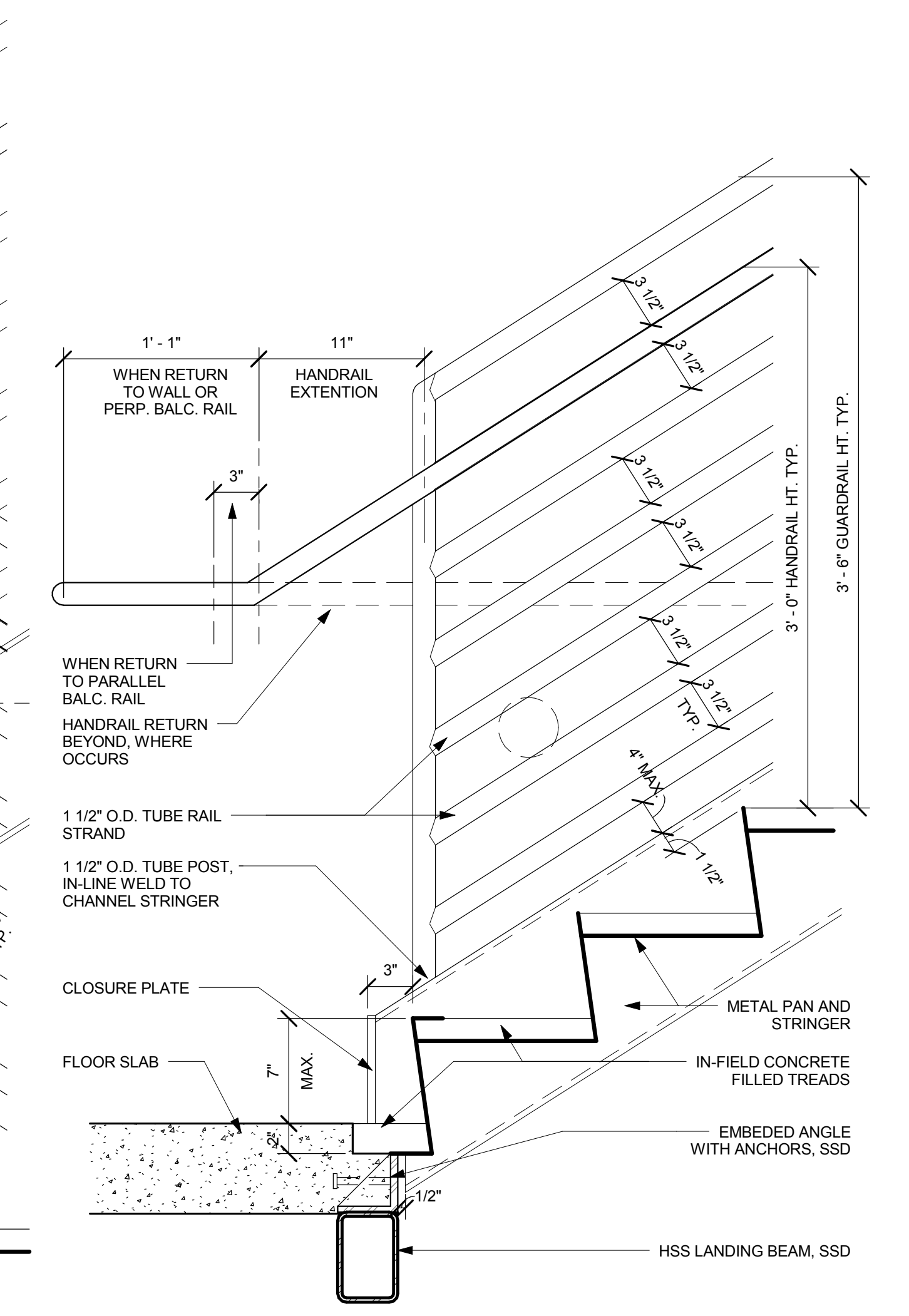
**7** METAL STAIR - INTERM. LANDING  
1 1/2" = 1'-0"



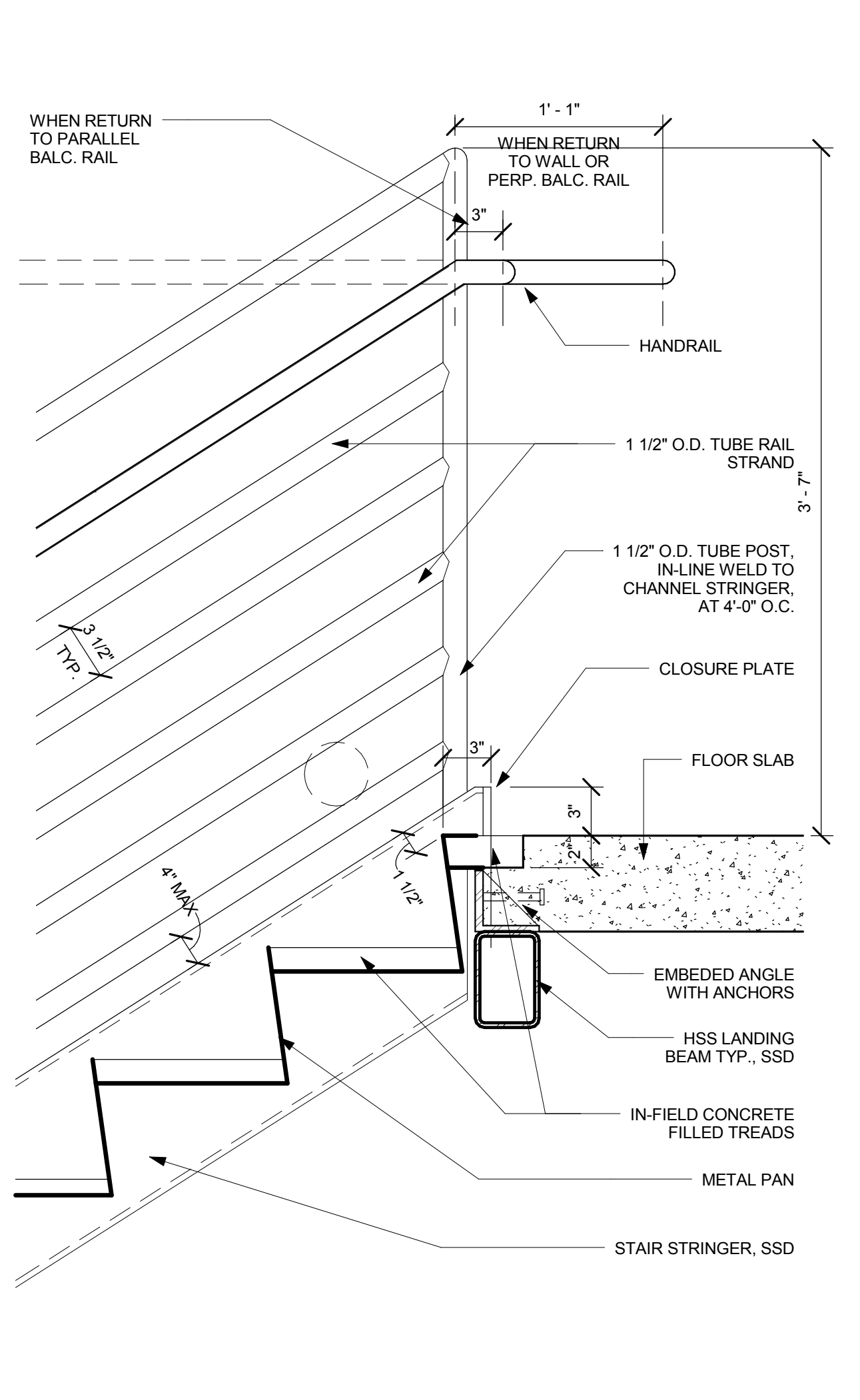
**A.** HANDRAIL MOUNT - DRYWALL



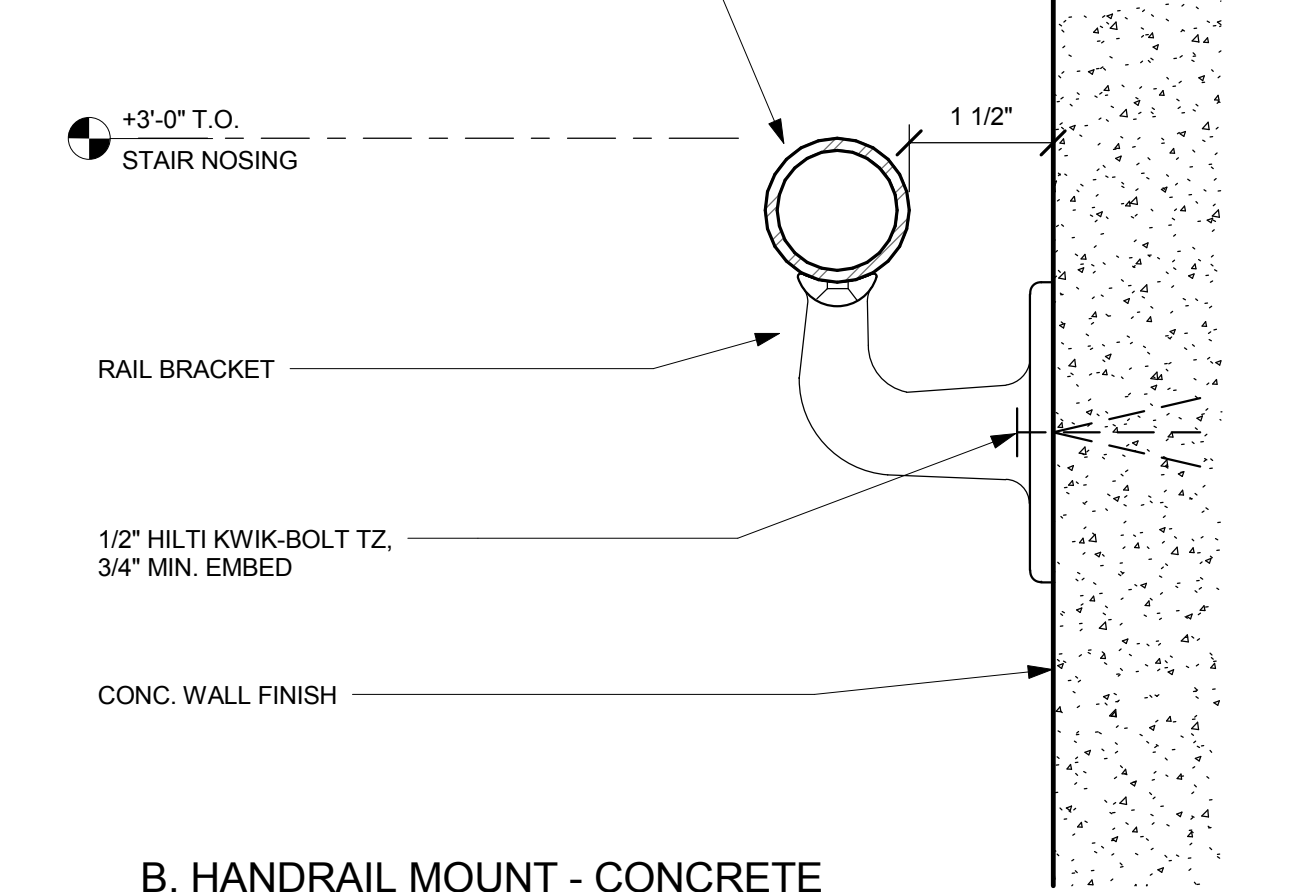
**17** METAL PIPE RAIL - AT INT. LANDINGS  
1 1/2" = 1'-0"



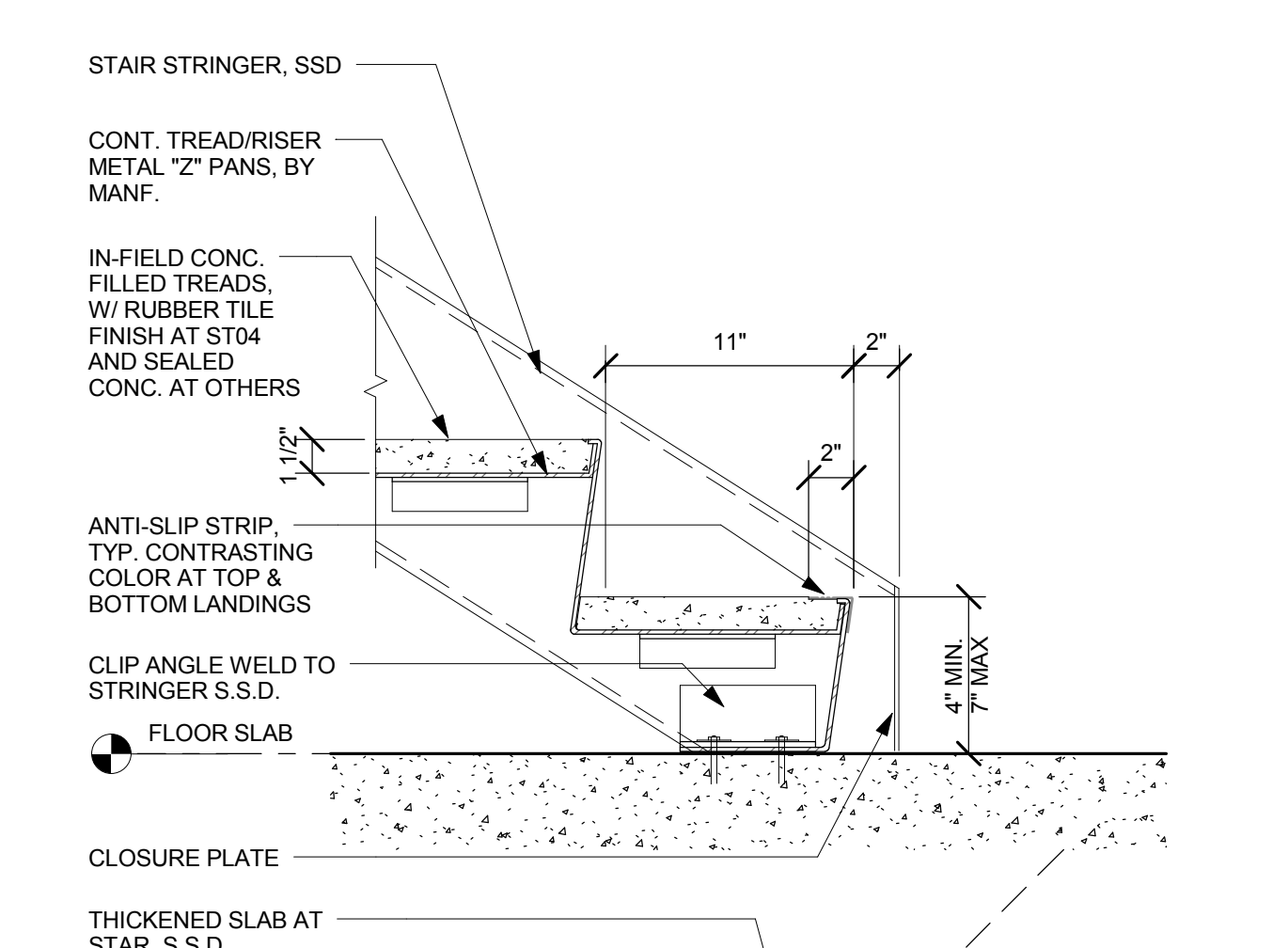
**13** METAL PIPE RAIL - AT FLOOR SLAB LANDINGS  
1 1/2" = 1'-0"



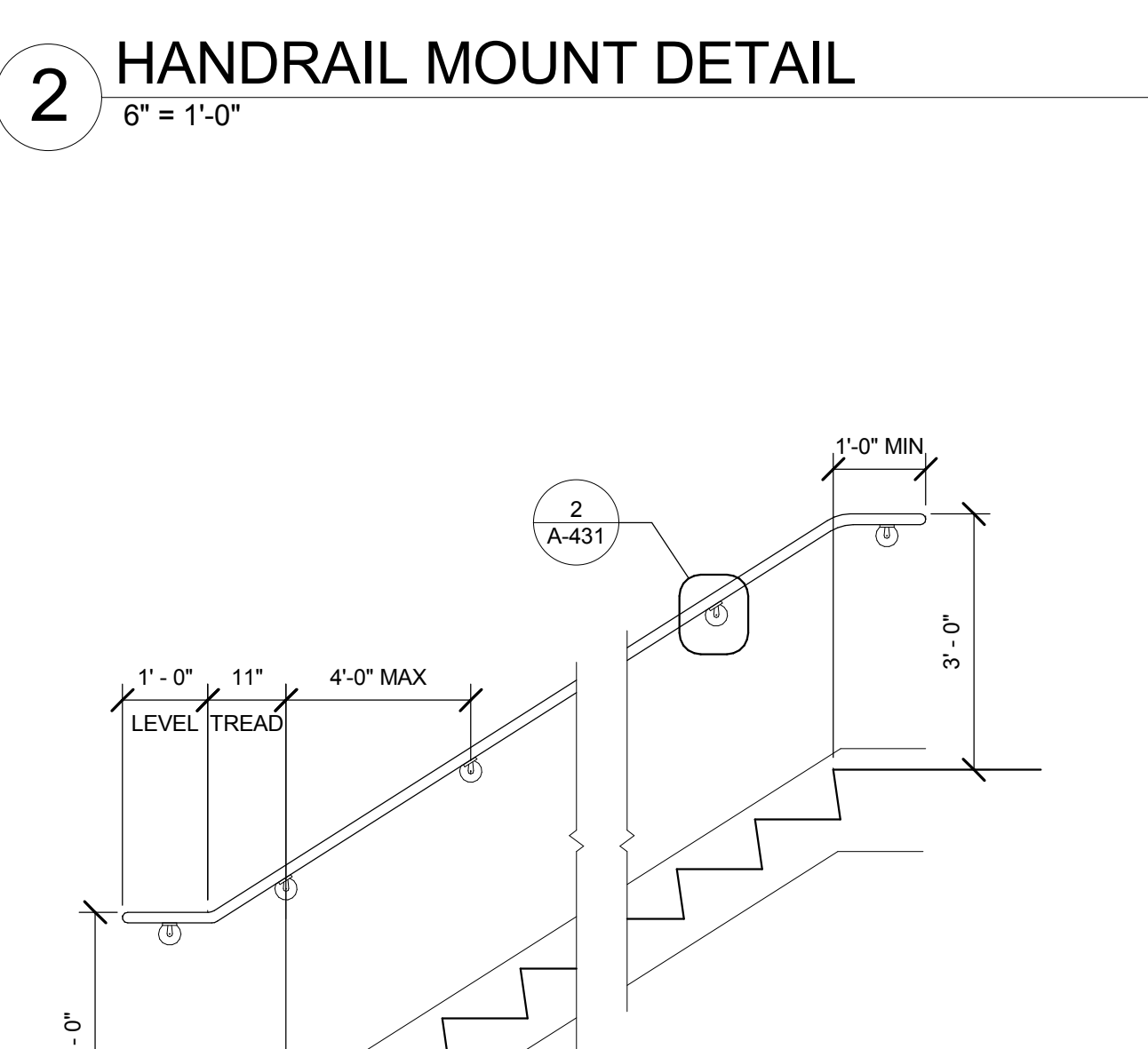
**6** METAL STAIR TREAD TYP.  
1 1/2" = 1'-0"



**B.** HANDRAIL MOUNT - CONCRETE



**5** METAL STAIR - BOTTOM LANDING  
1 1/2" = 1'-0"



**2** HANDRAIL MOUNT DETAIL  
6" = 1'-0"