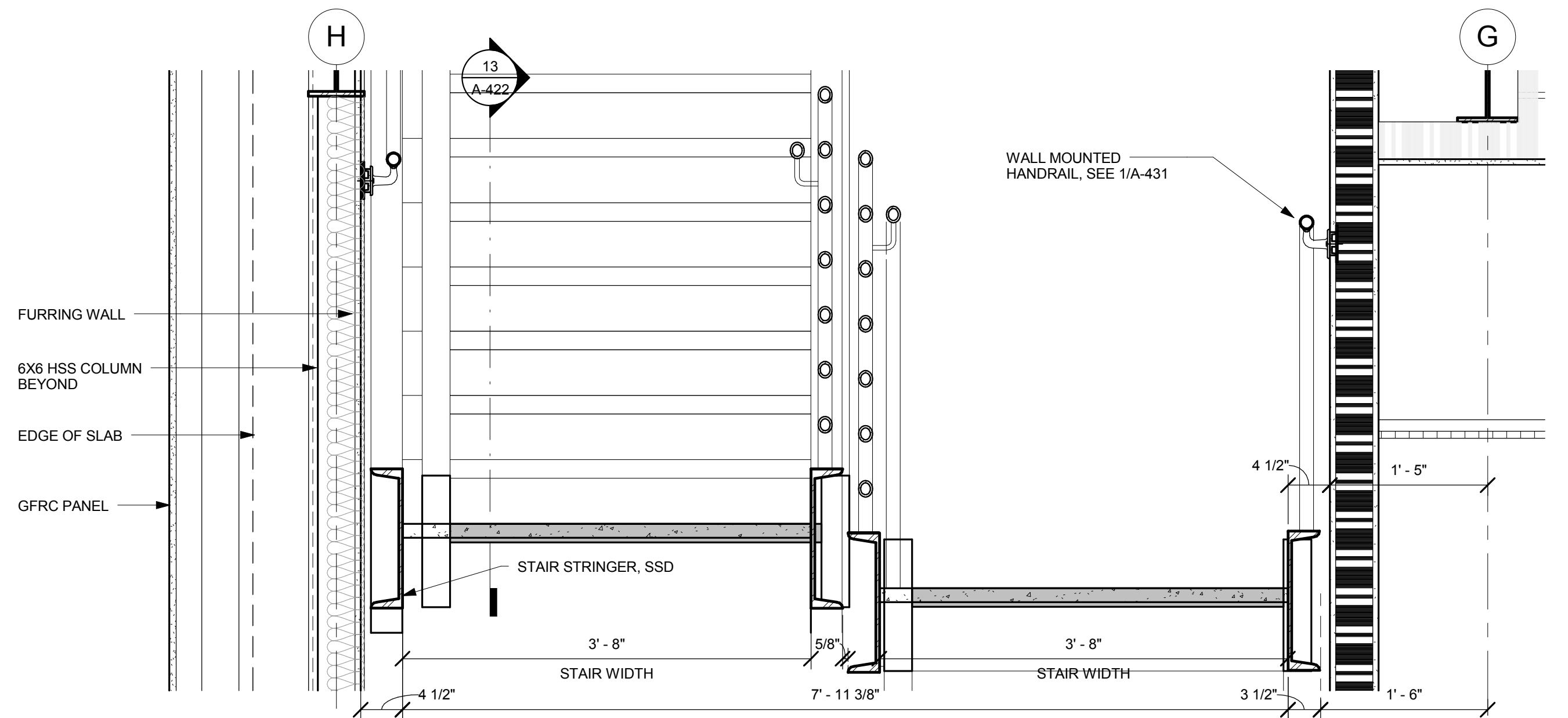
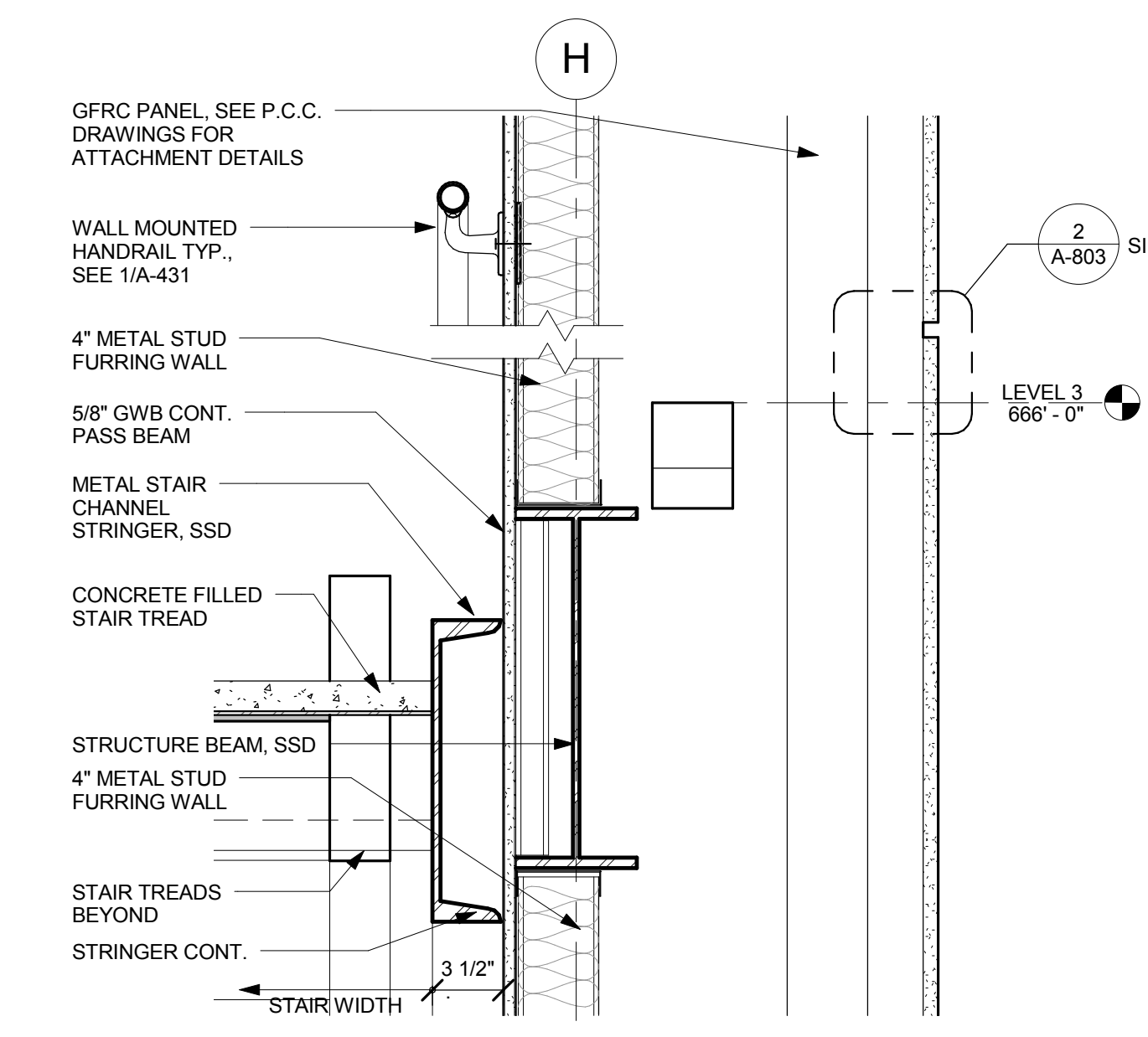


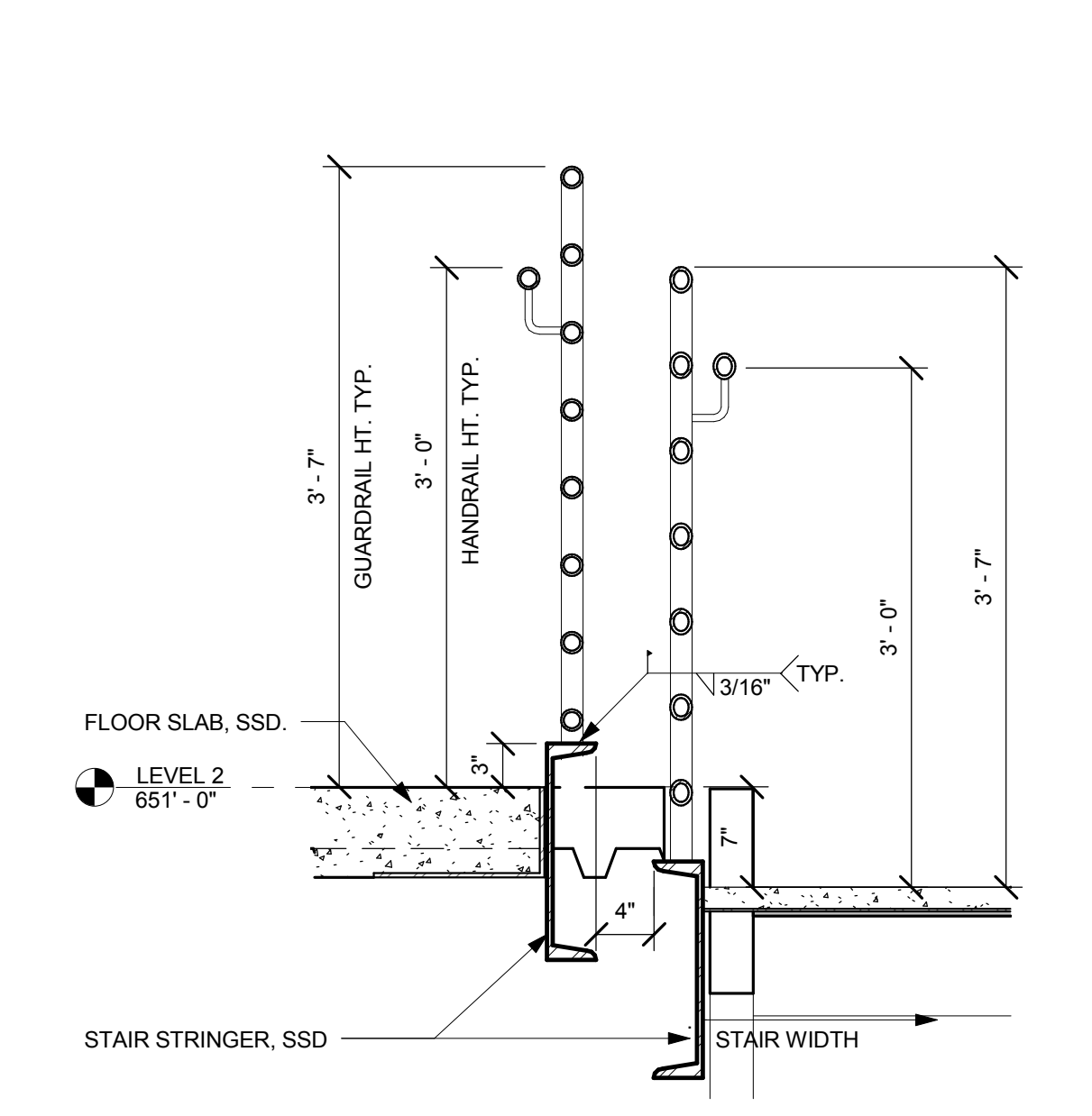
20 EDGE OF SLAB FINISHES - LEVEL 3
3" = 1'-0"



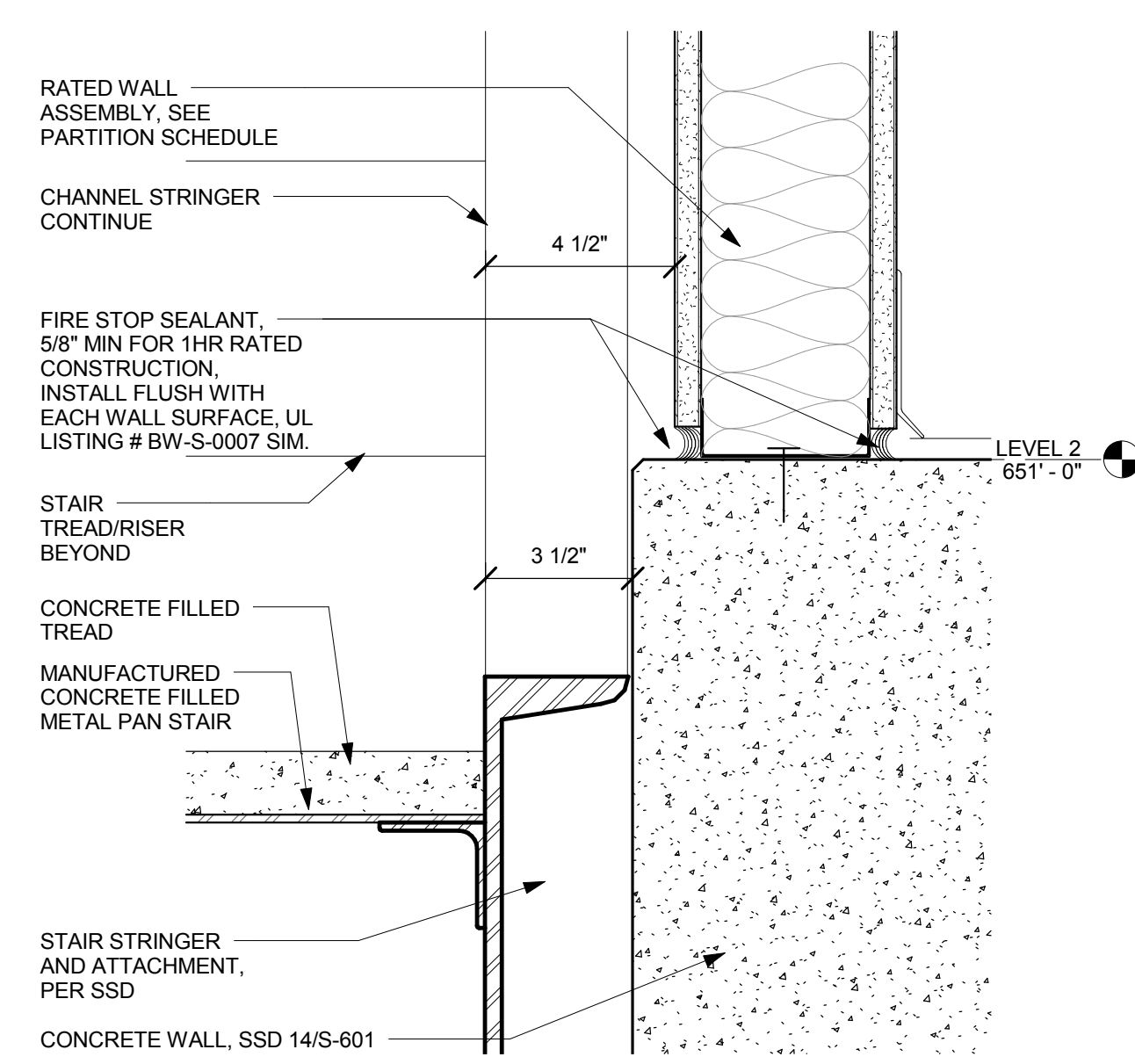
16 METAL PIPE STAIR SECTION DETAIL
1" = 1'-0"



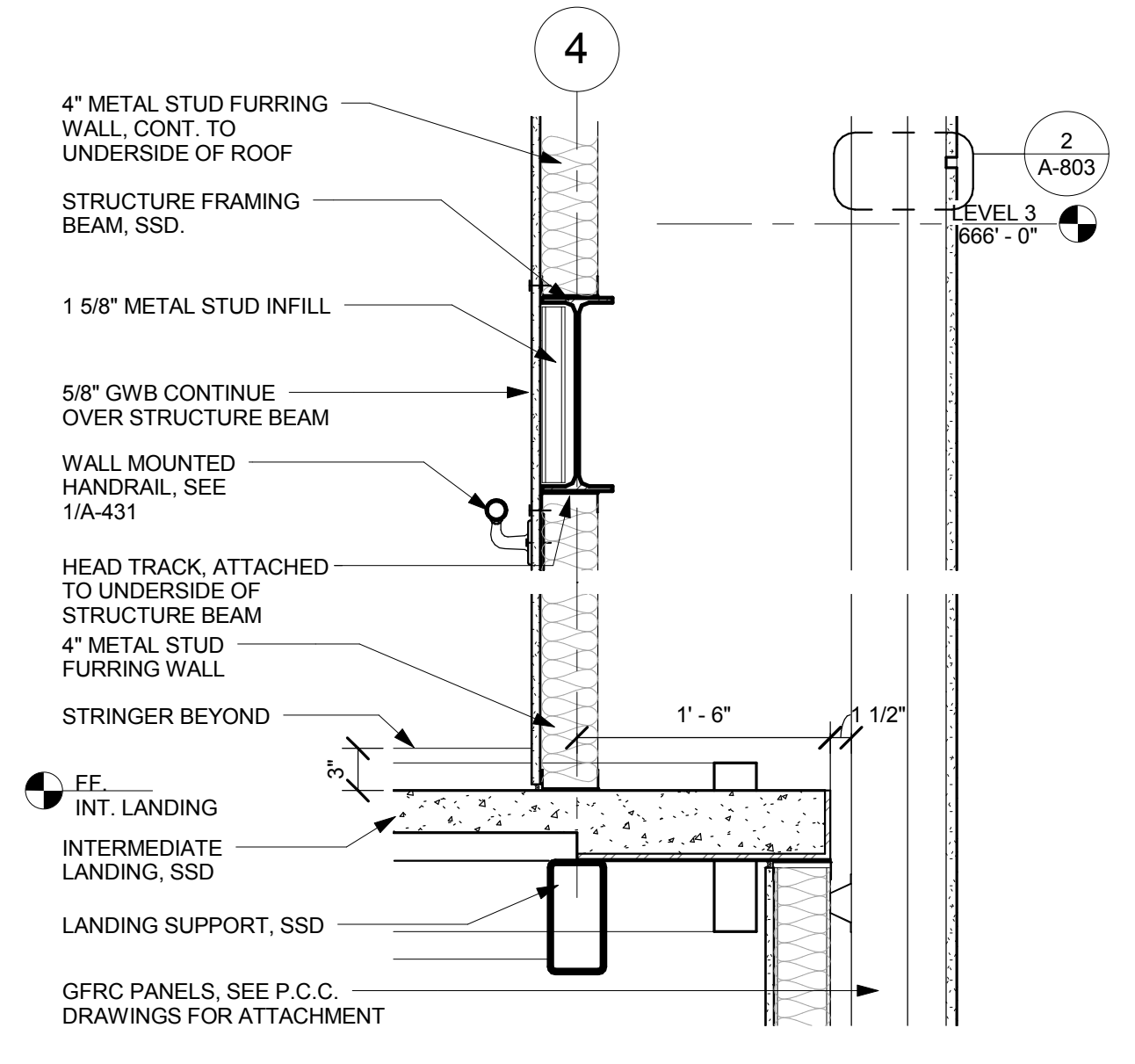
8 INT. WALL FURRING AT BEAM
1 1/2" = 1'-0"



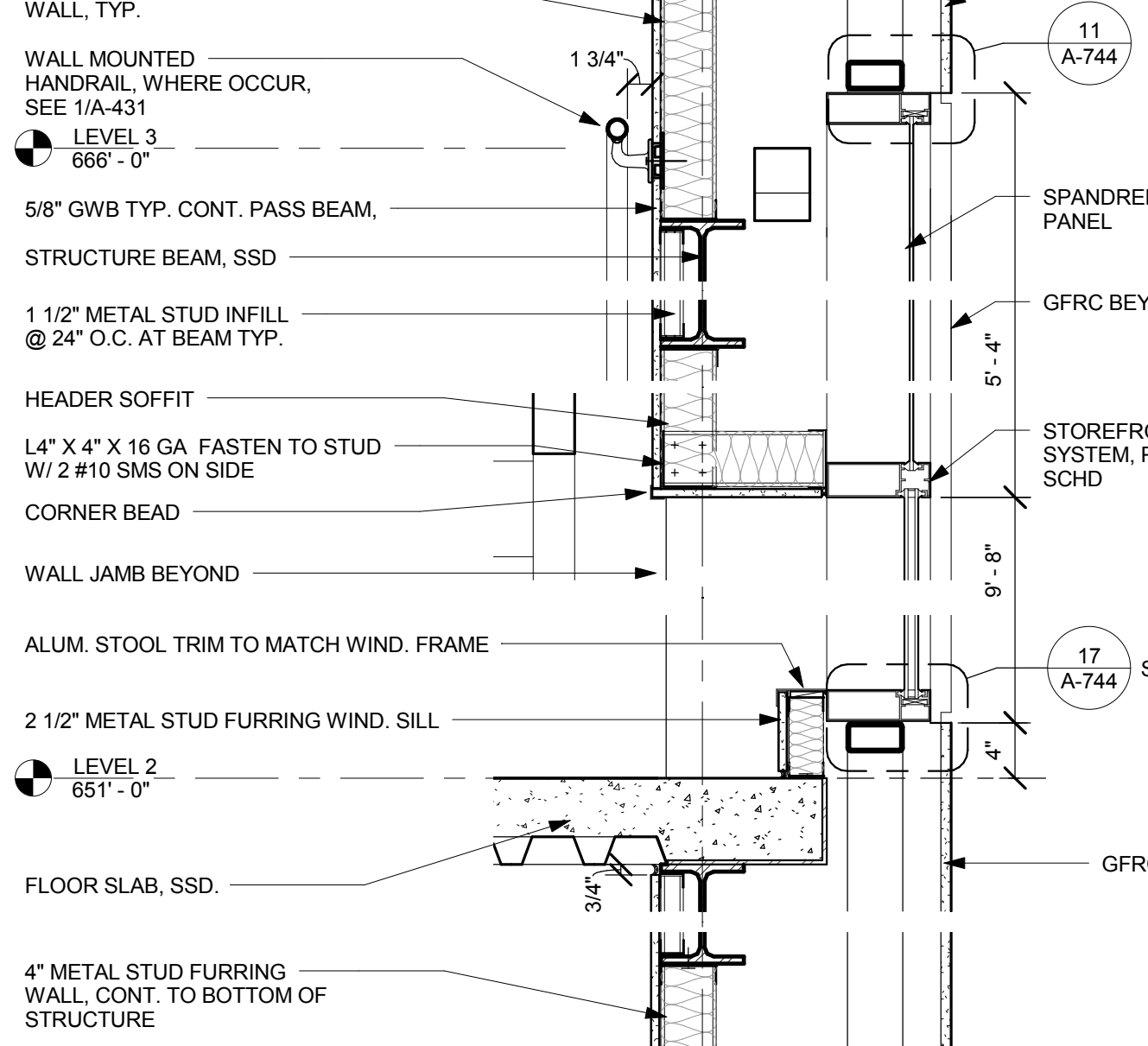
4R REVISED BALCONY / STAIR RAILING
1" = 1'-0"



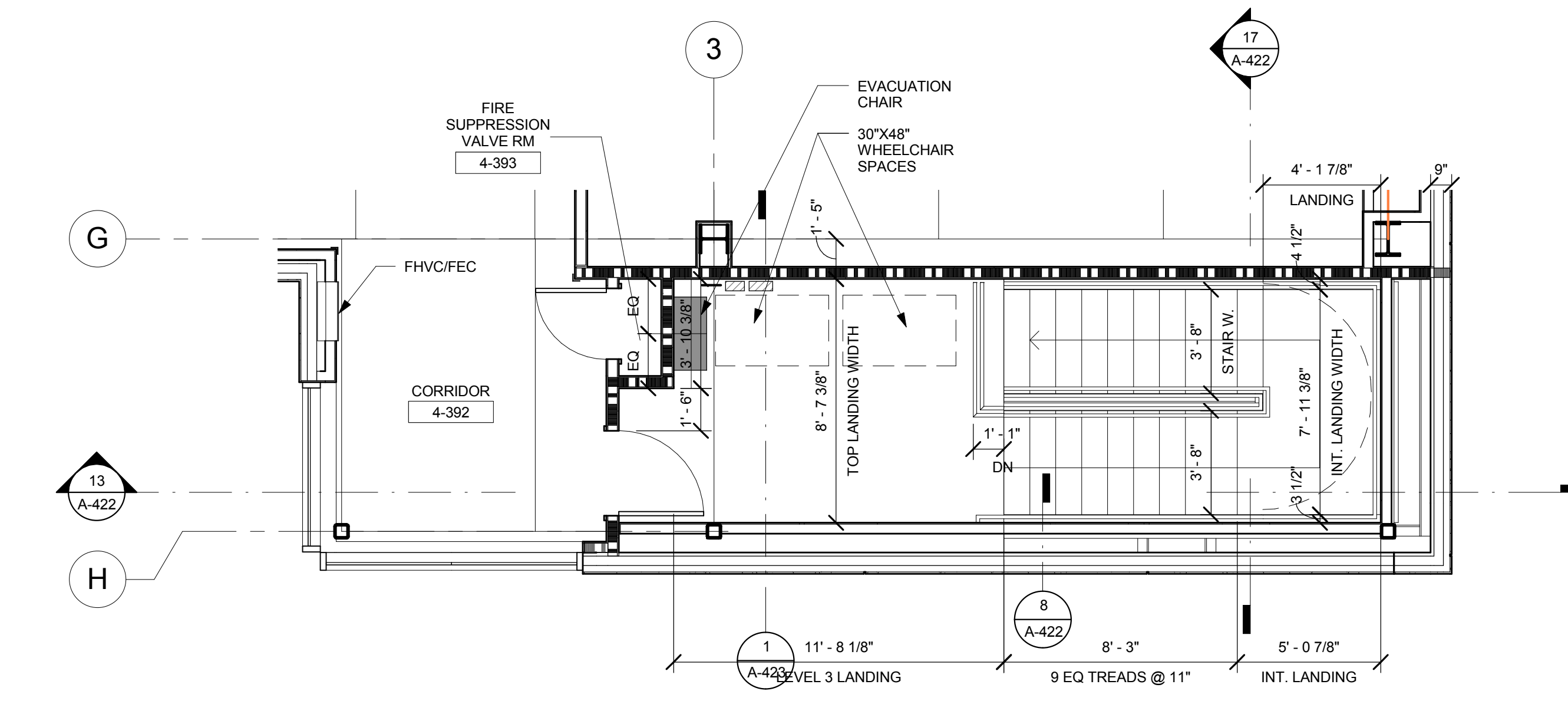
19 EDGE OF SLAB - LEVEL 2
3" = 1'-0"



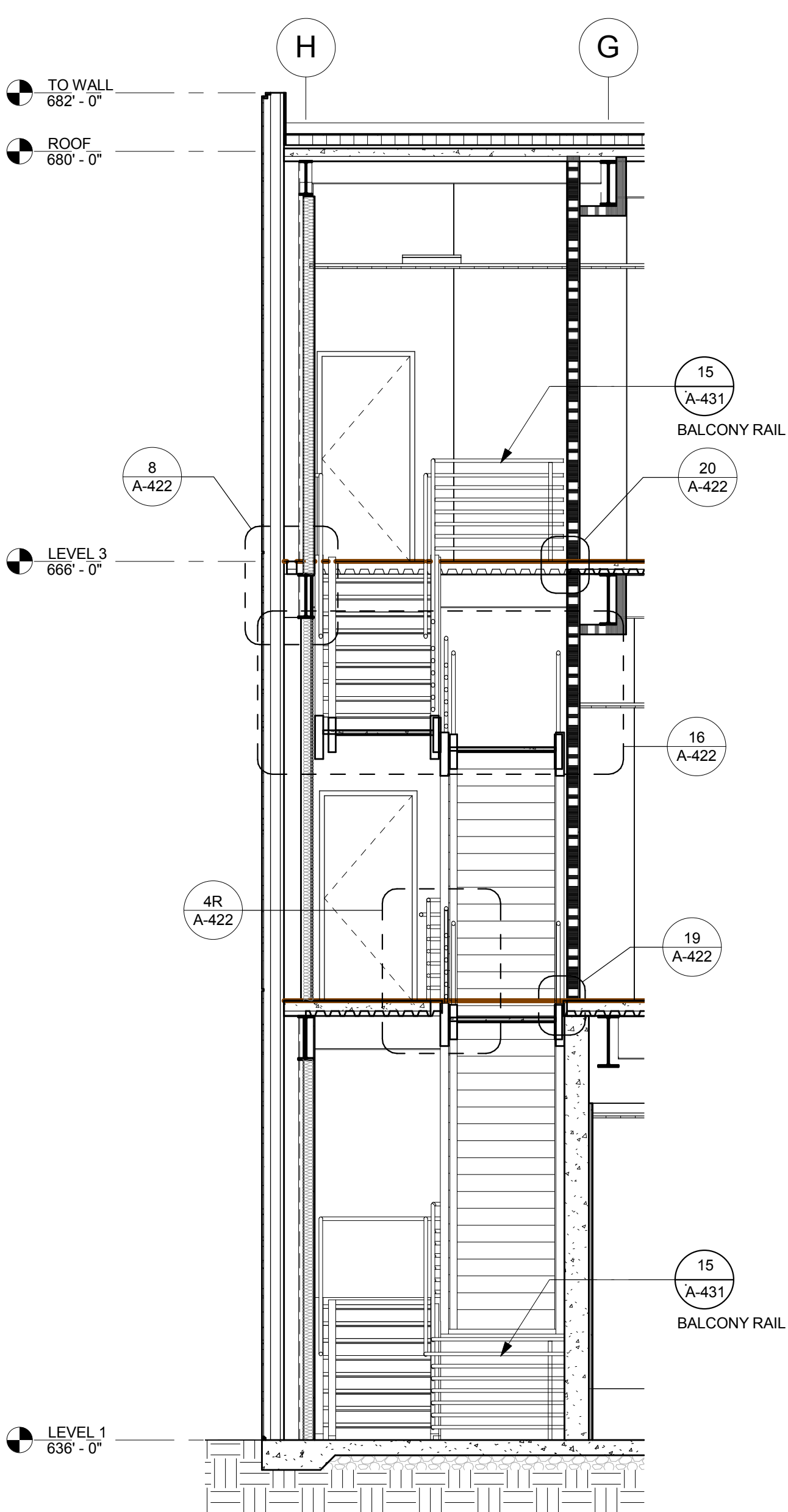
15 INT. LANDING SOFFIT FURRING
1" = 1'-0"



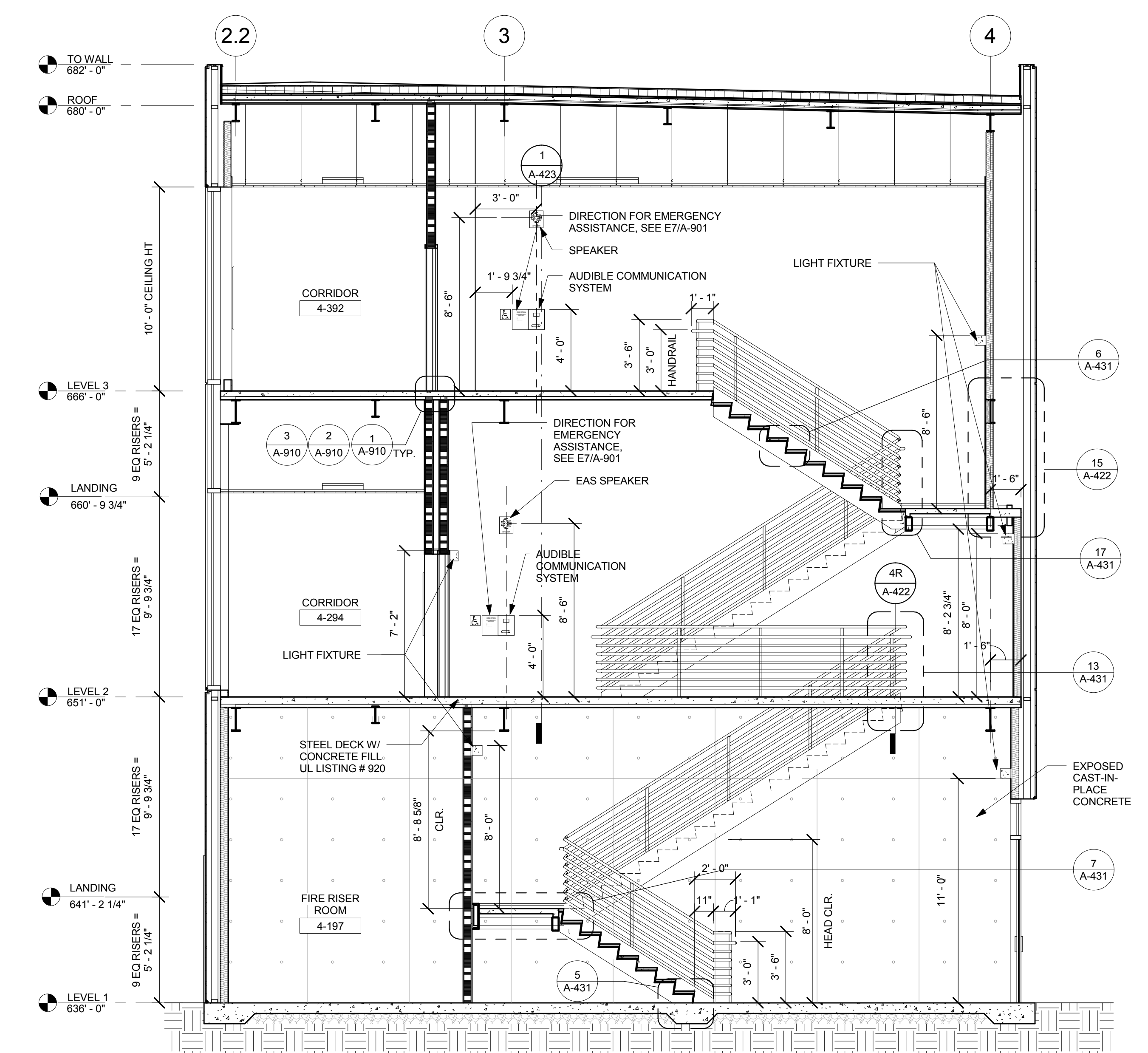
11 INT. WALL FURRING AT WINDOW
1" = 1'-0"



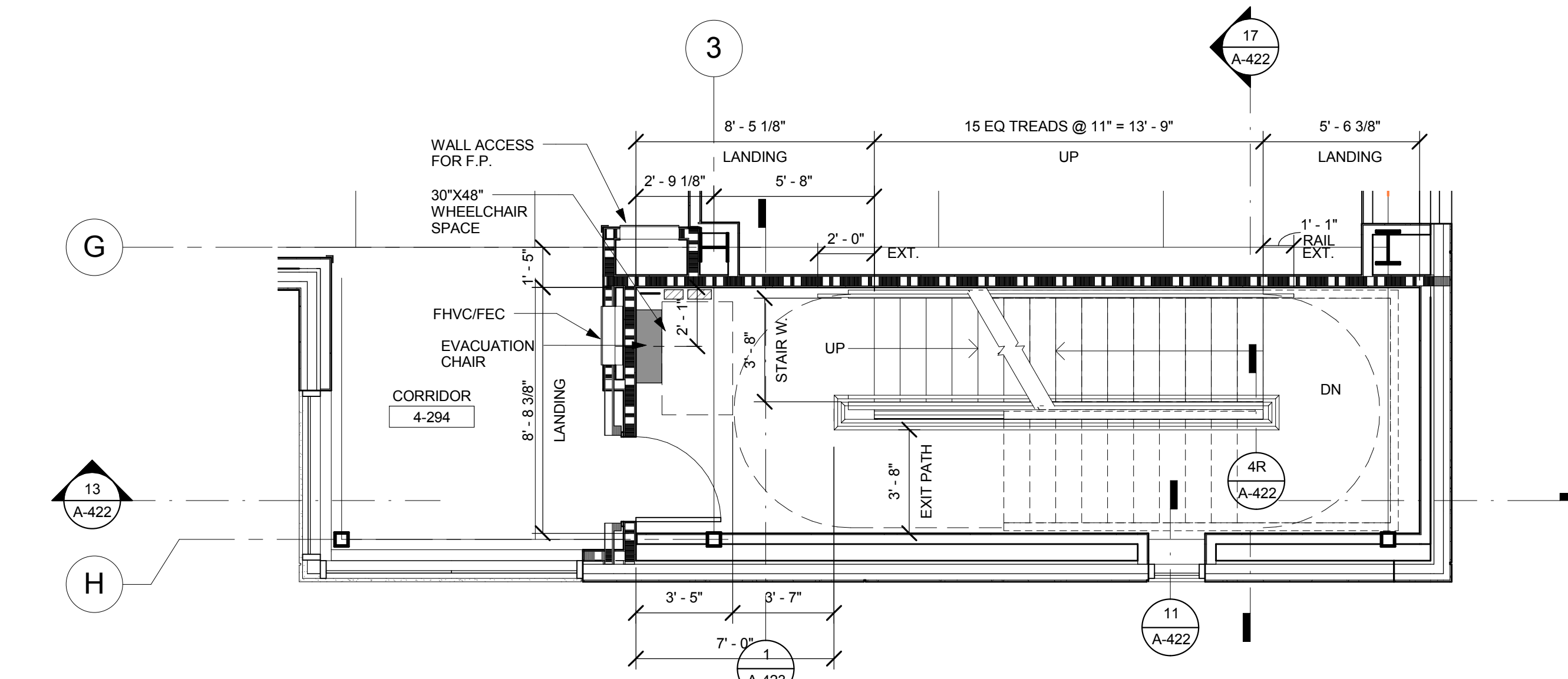
7 SOUTHEAST STAIR - ST06 - LEVEL 3
1/4" = 1'-0"



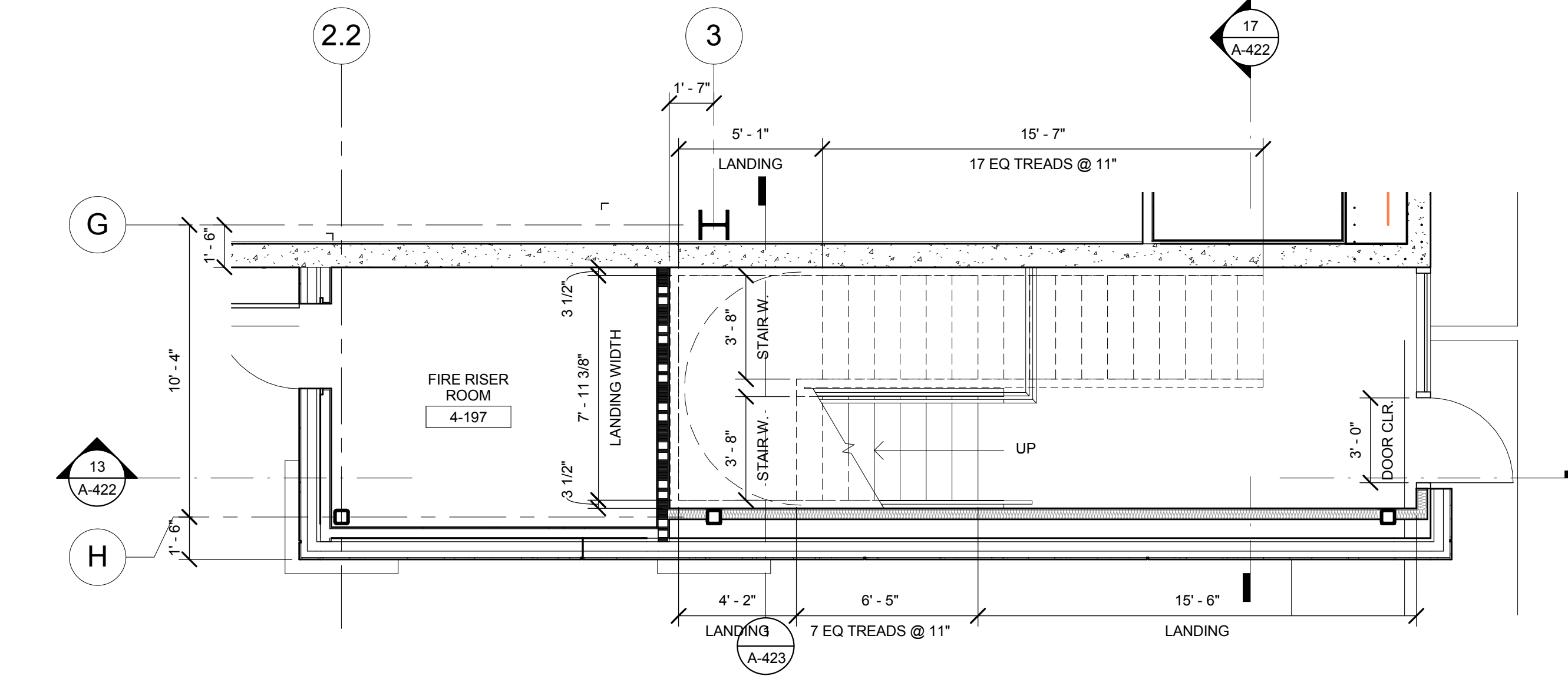
17 SOUTHEAST STAIR - ST06 - SECTION
1/4" = 1'-0"



13 SOUTHEAST STAIR - ST06 - LONGITUDINAL SECTION
1/4" = 1'-0"



6 SOUTHEAST STAIR - ST06 - LEVEL 2
1/4" = 1'-0"



5 SOUTHEAST STAIR - ST06 - LEVEL 1
1/4" = 1'-0"