

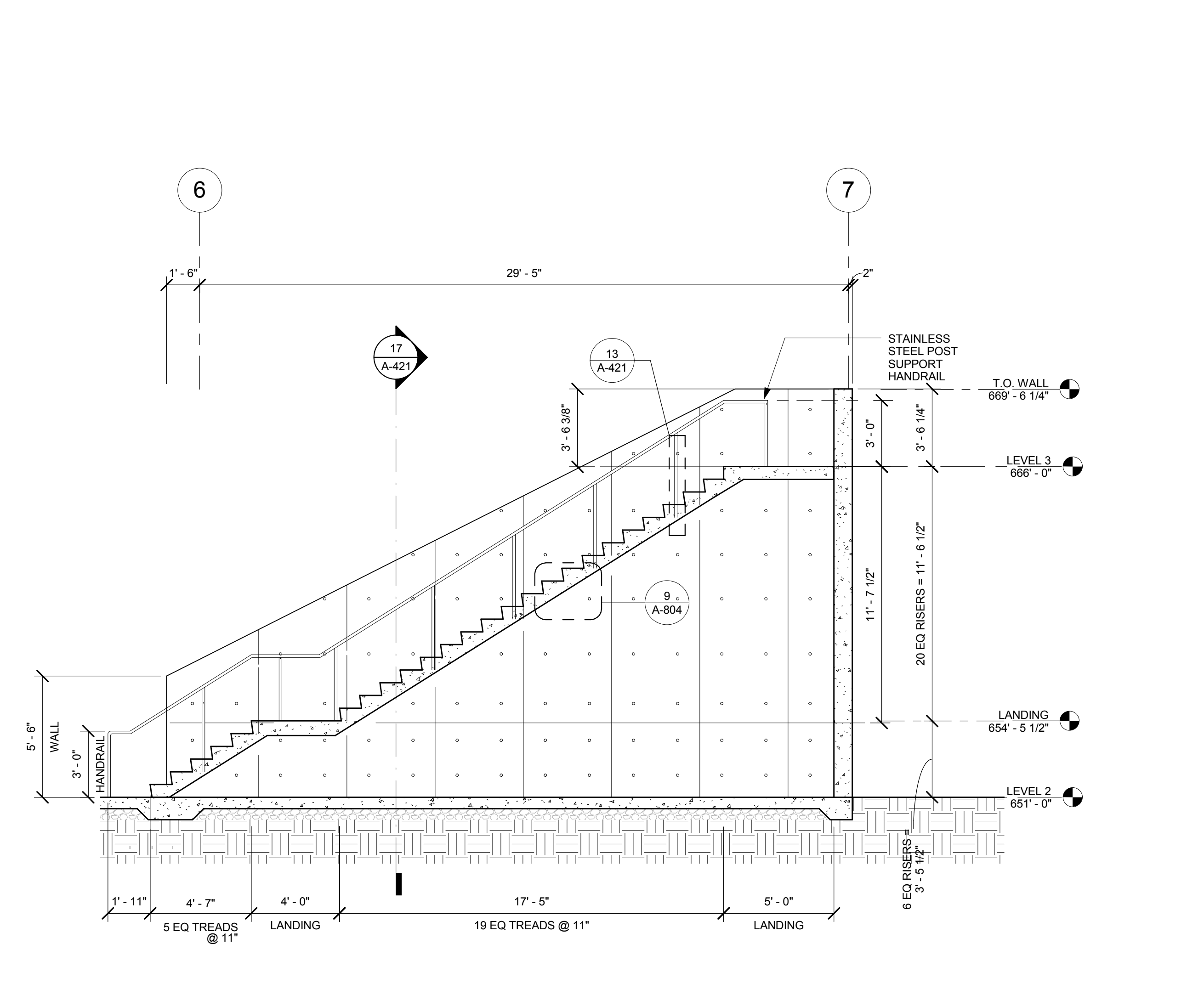
17 TERRACE STAIR - SECTION
1/4" = 1'-0"

13 EXTERIOR HANDRAIL SUPPORT
3" = 1'-0"

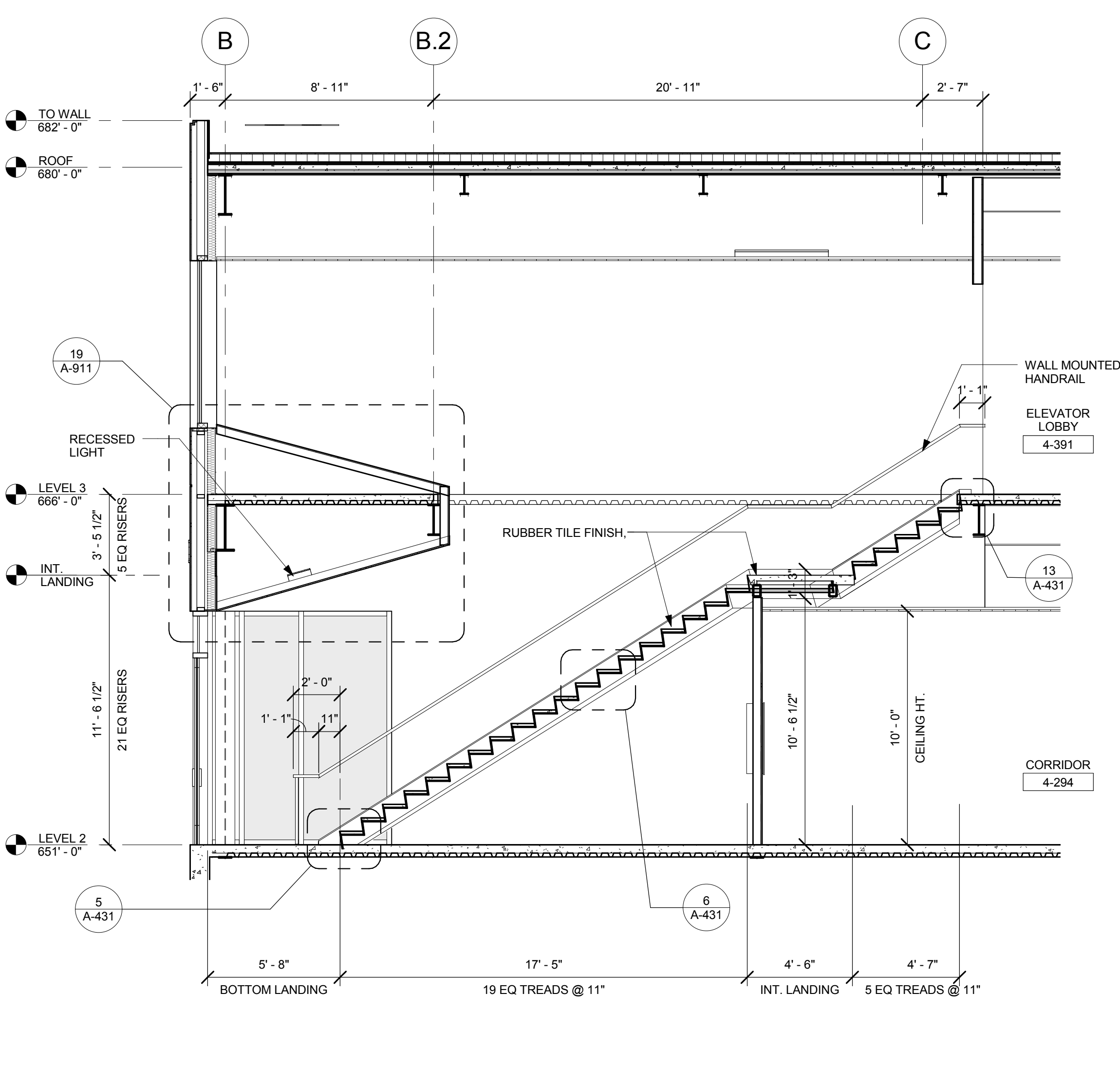
9 WALL FURRING AT ST03
3" = 1'-0"

6 EDGE OF SLAB AT ST03
3" = 1'-0"

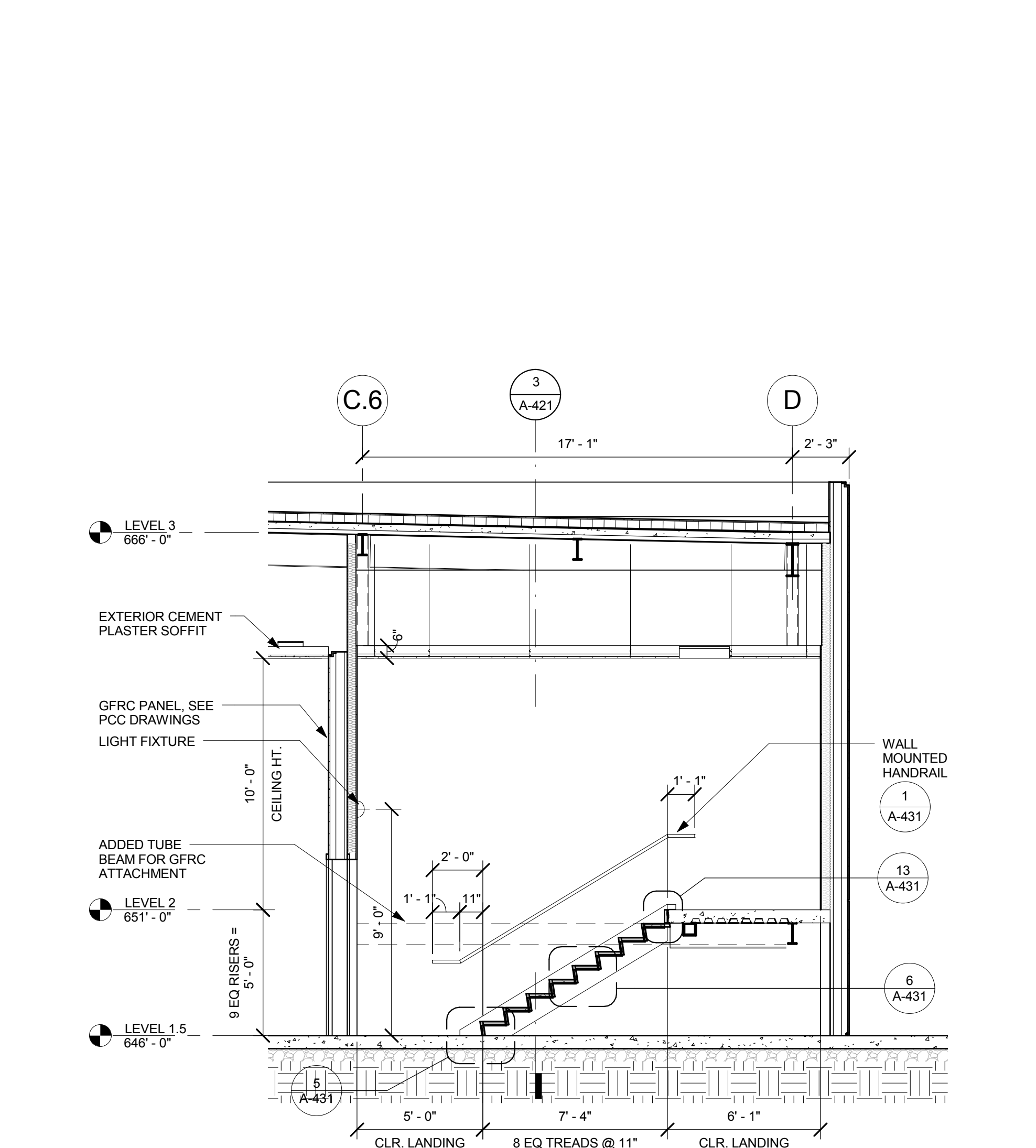
3 STAIR SECTION ST03
1/4" = 1'-0"



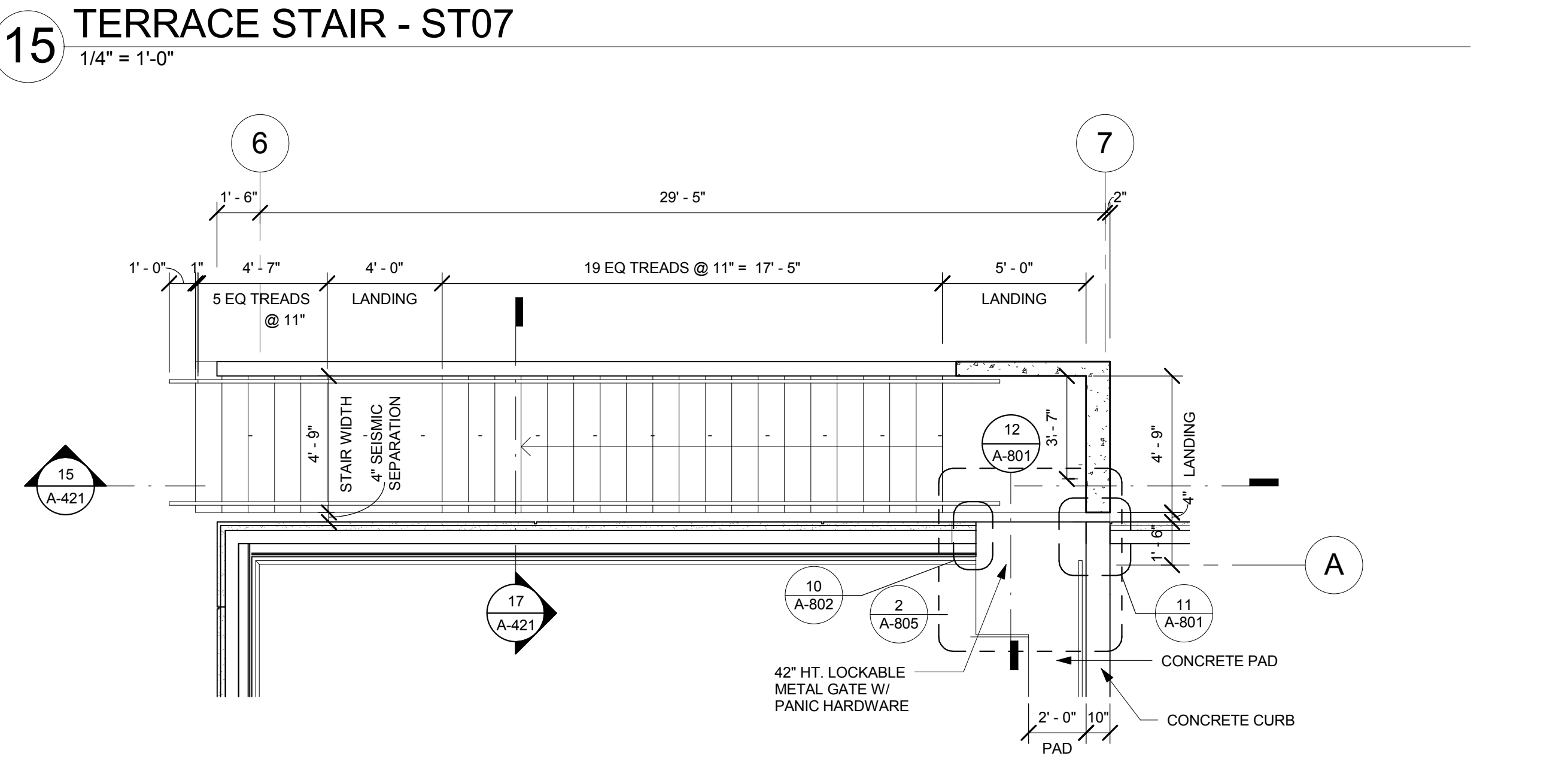
15 TERRACE STAIR - ST07
1/4" = 1'-0"



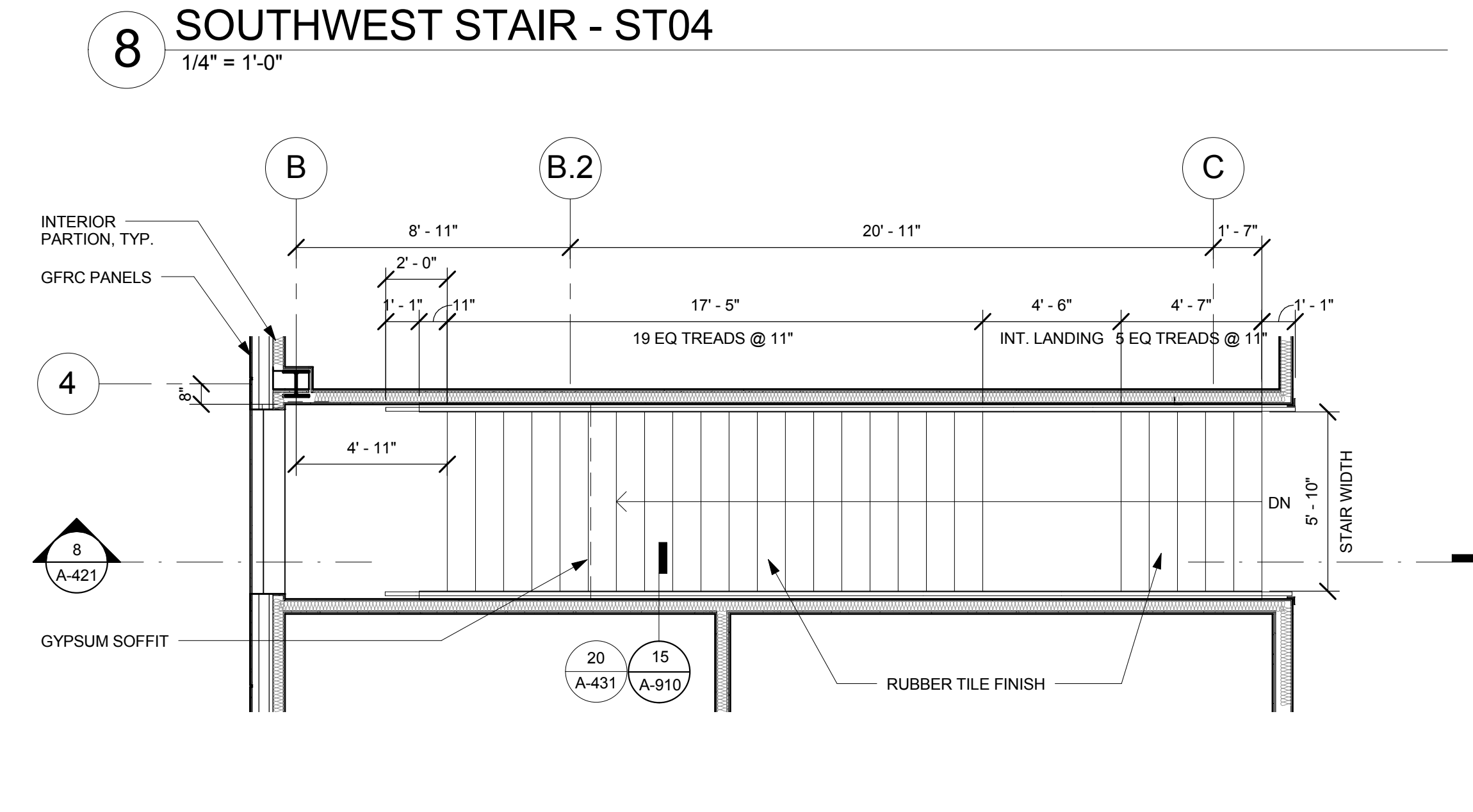
8 SOUTHWEST STAIR - ST04
1/4" = 1'-0"



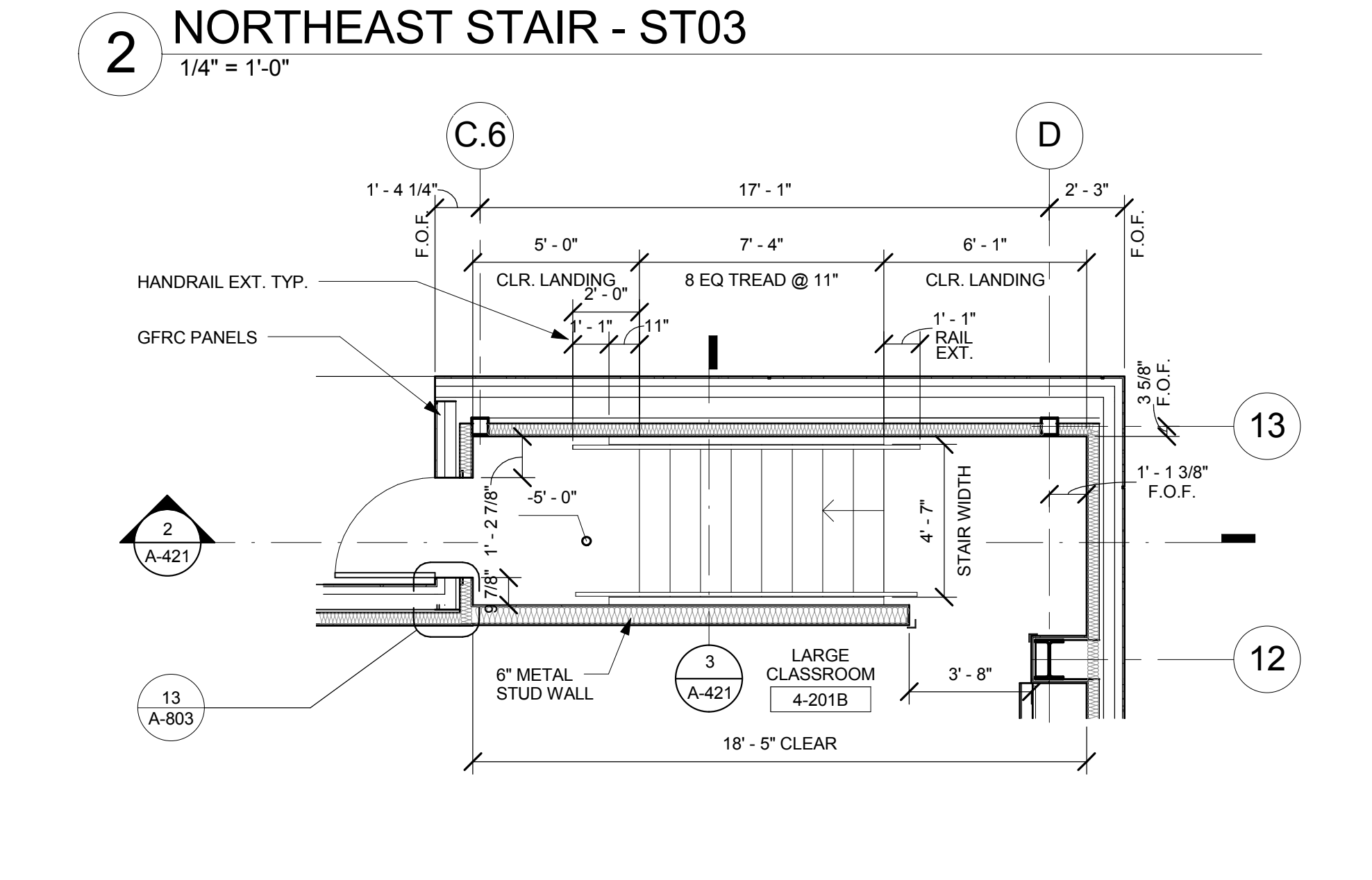
2 NORTHEAST STAIR - ST03
1/4" = 1'-0"



14 TERRACE STAIR - ST07
1/4" = 1'-0"



7 SOUTHWEST STAIR - ST04 - LEVEL 3
1/4" = 1'-0"



1 NORTHEAST STAIR - ST03 - LEVEL 2
1/4" = 1'-0"