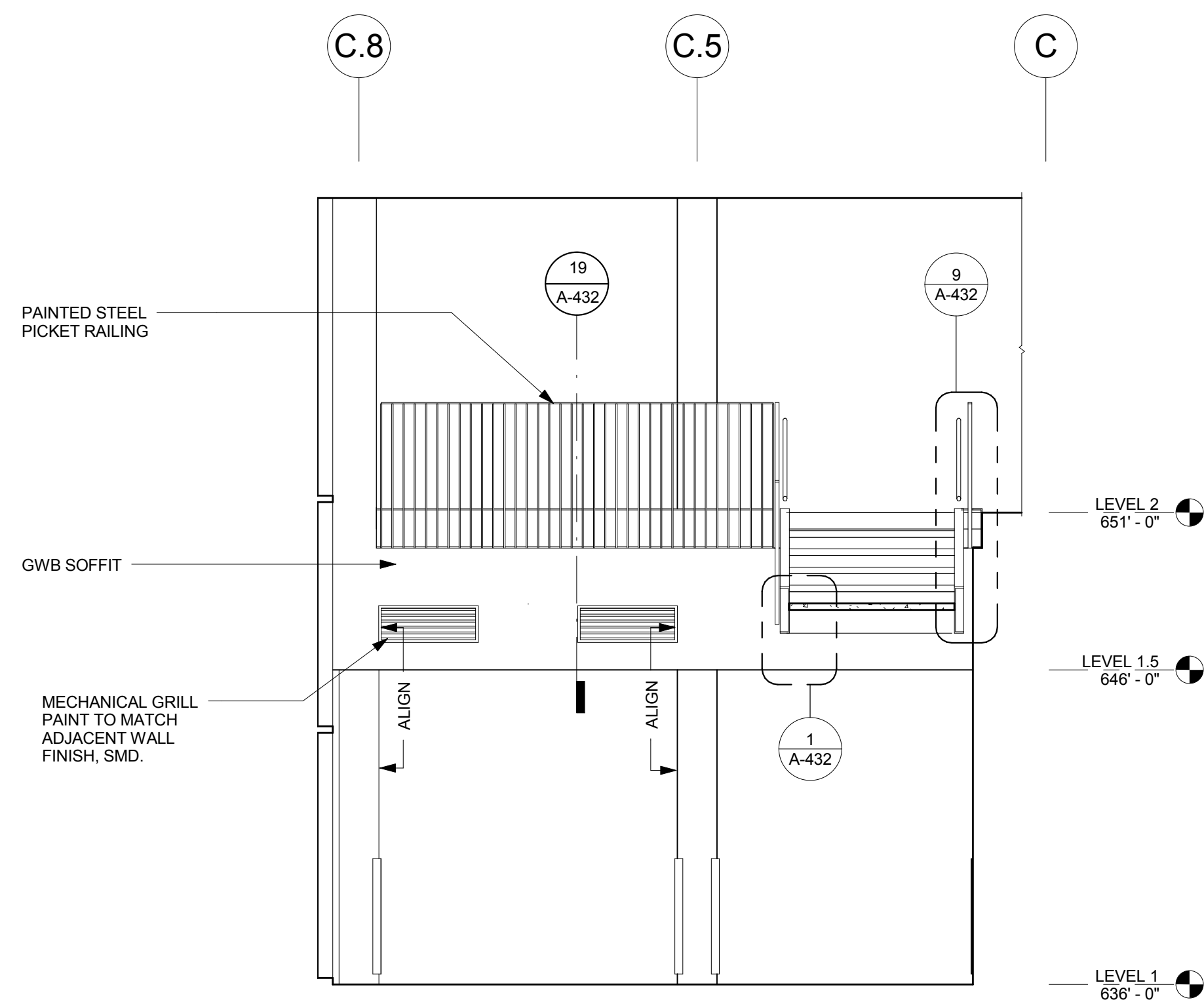
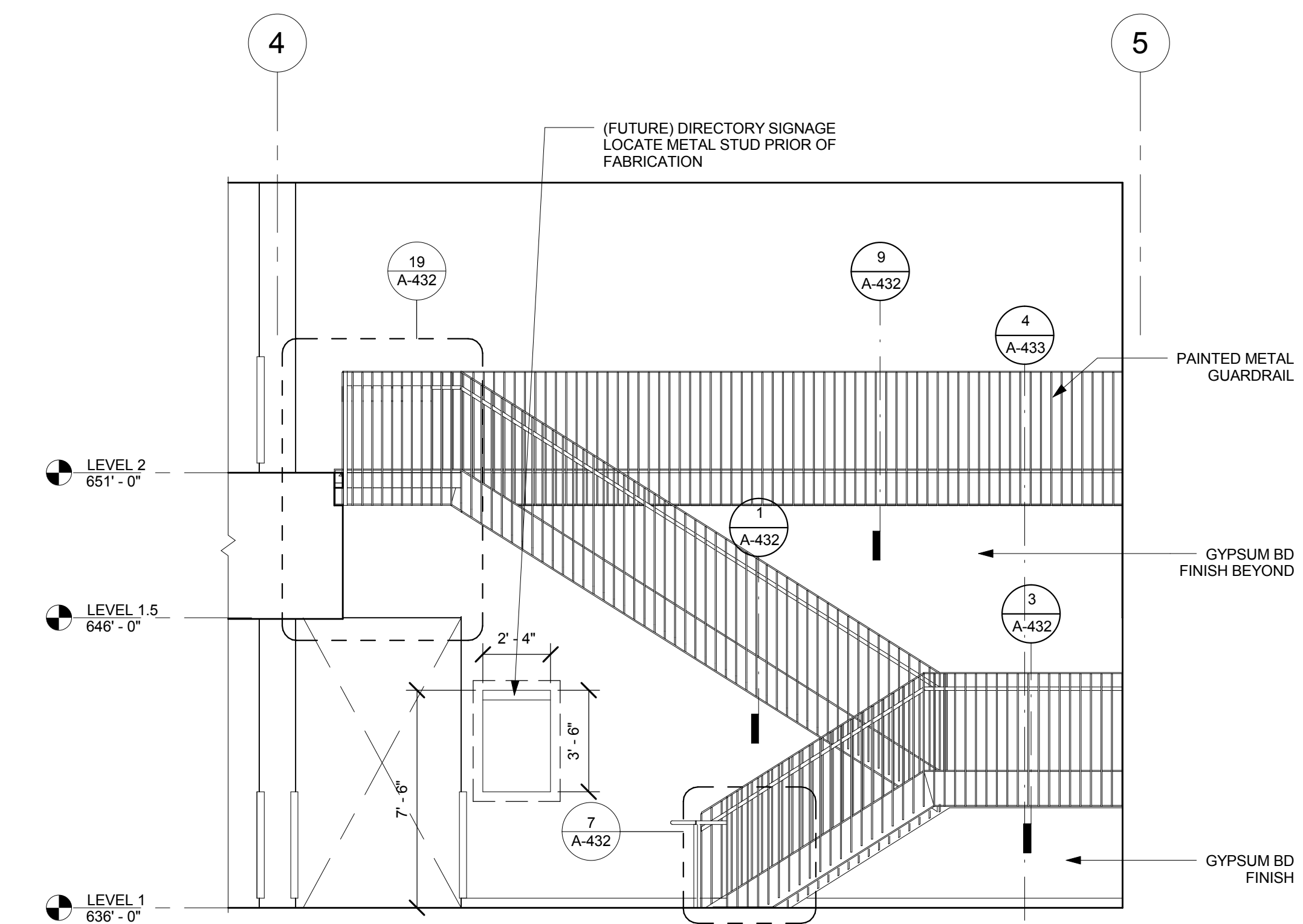


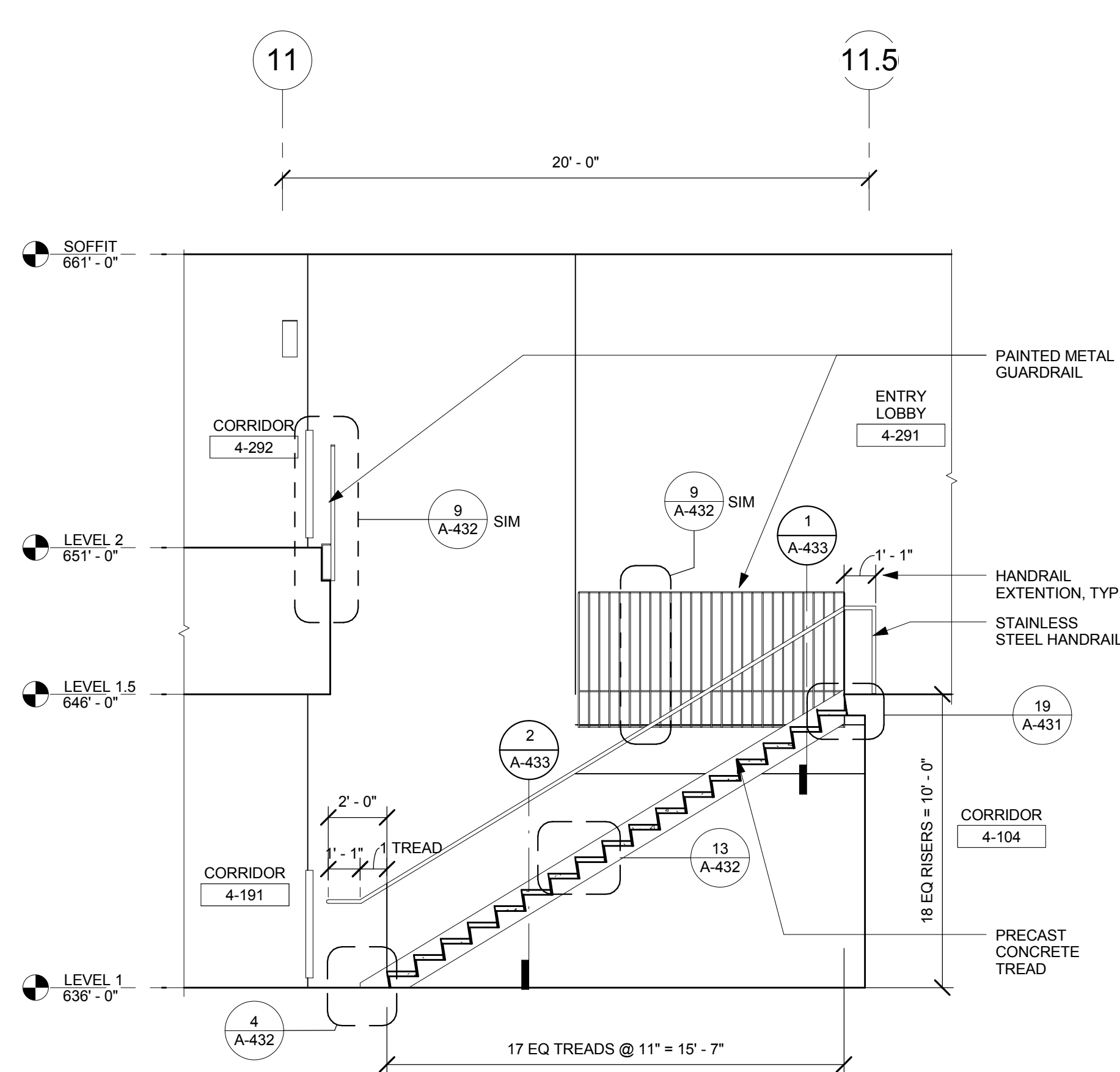
9 4-291-NORTH LOBBY - ST01 GUARD RAIL ELEV
1/4" = 1'-0"



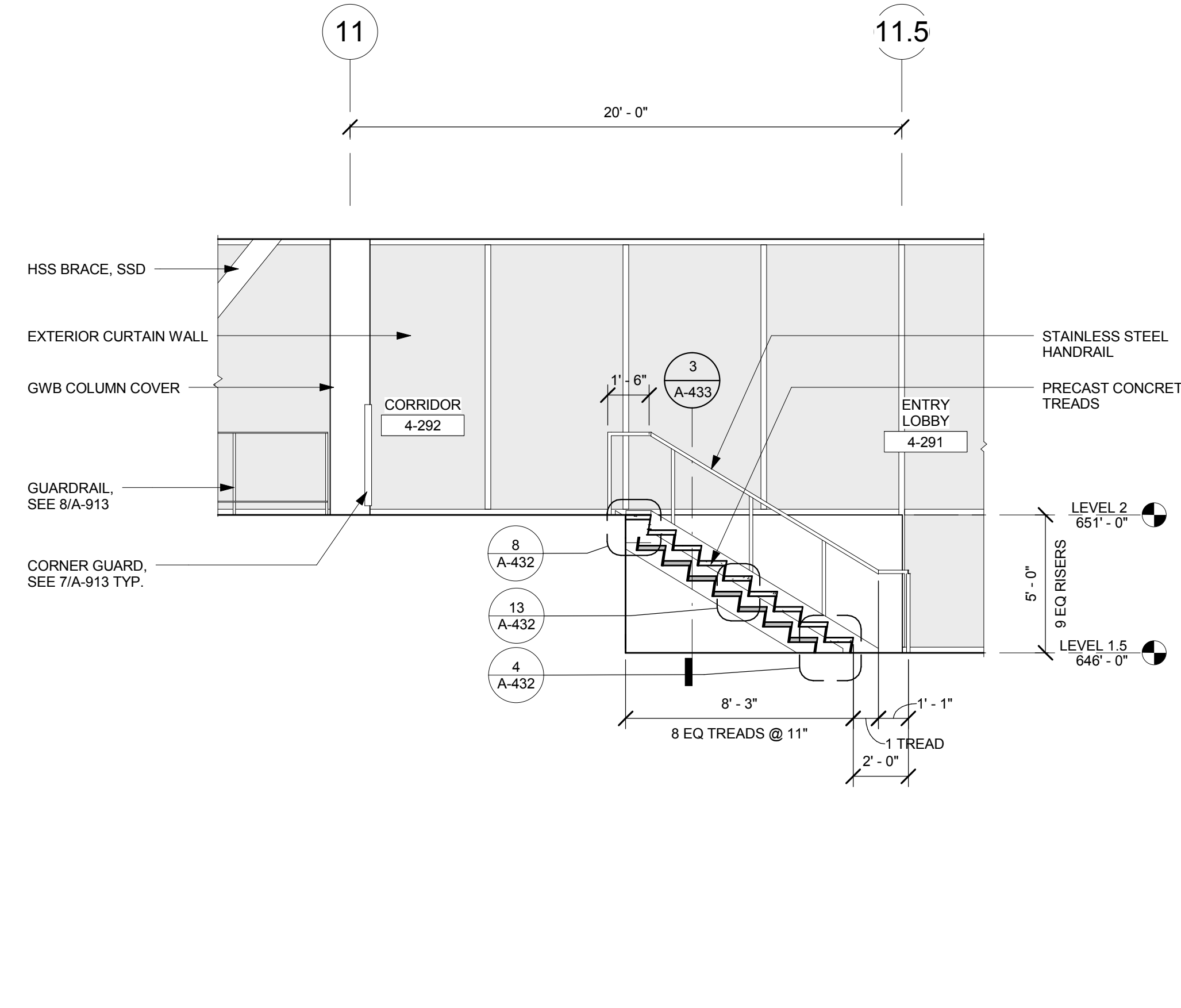
6 4-193 - ENTRY LOBBY - NORTH ELEVATION
1/4" = 1'-0"



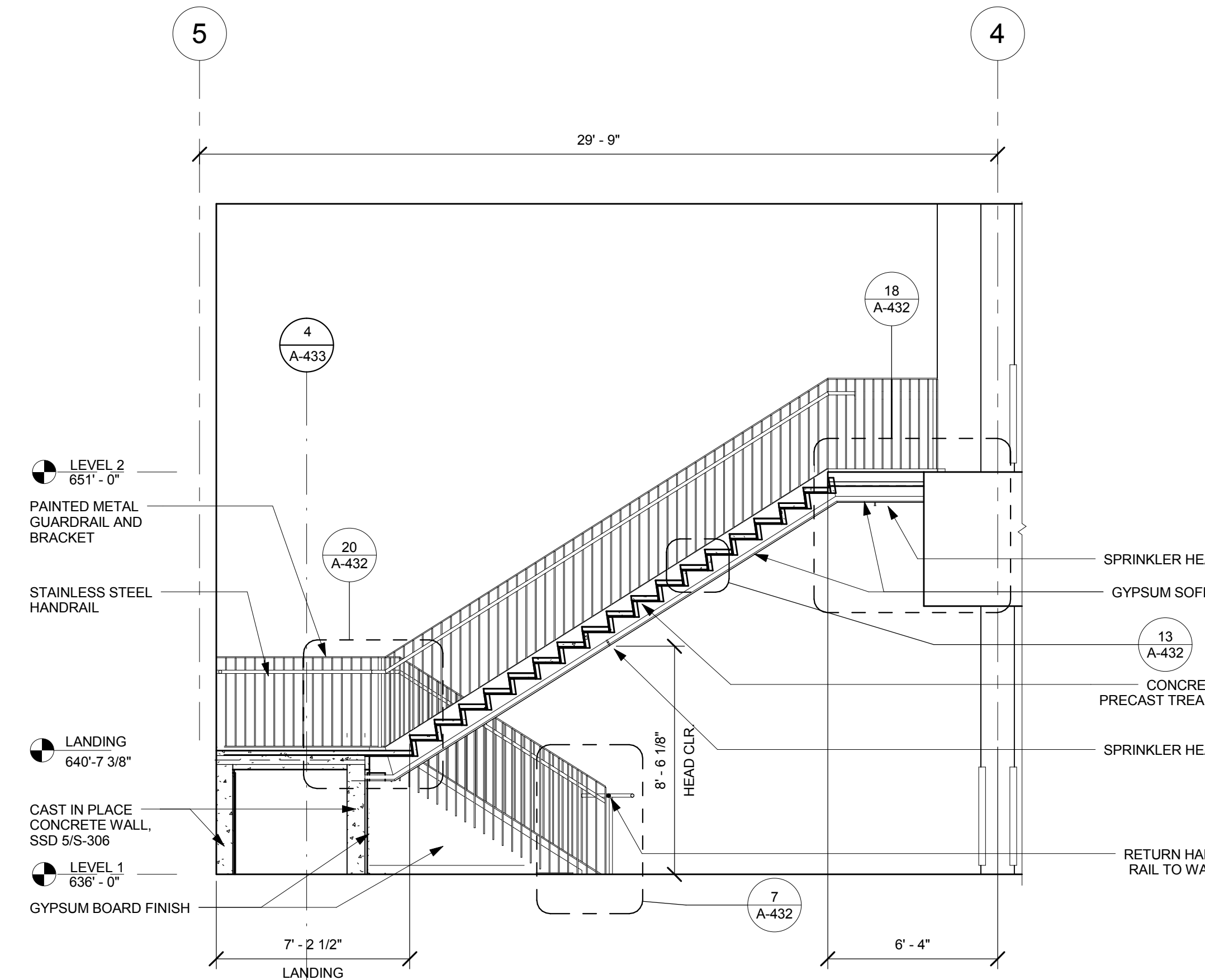
3 4-193 - ENTRY LOBBY - EAST ELEVATION
1/4" = 1'-0"



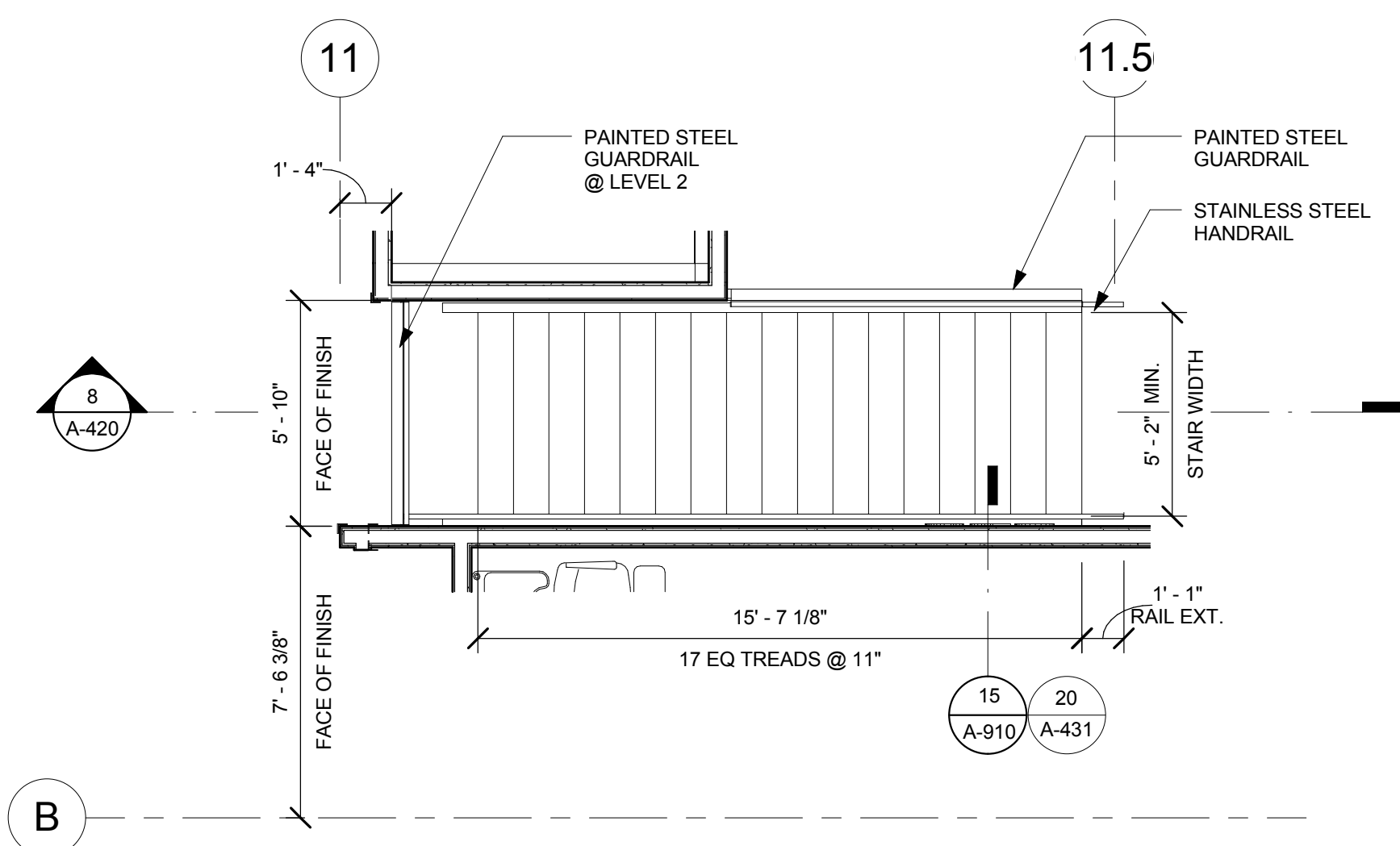
8 NORTH LOBBY STAIR - ST02
1/4" = 1'-0"



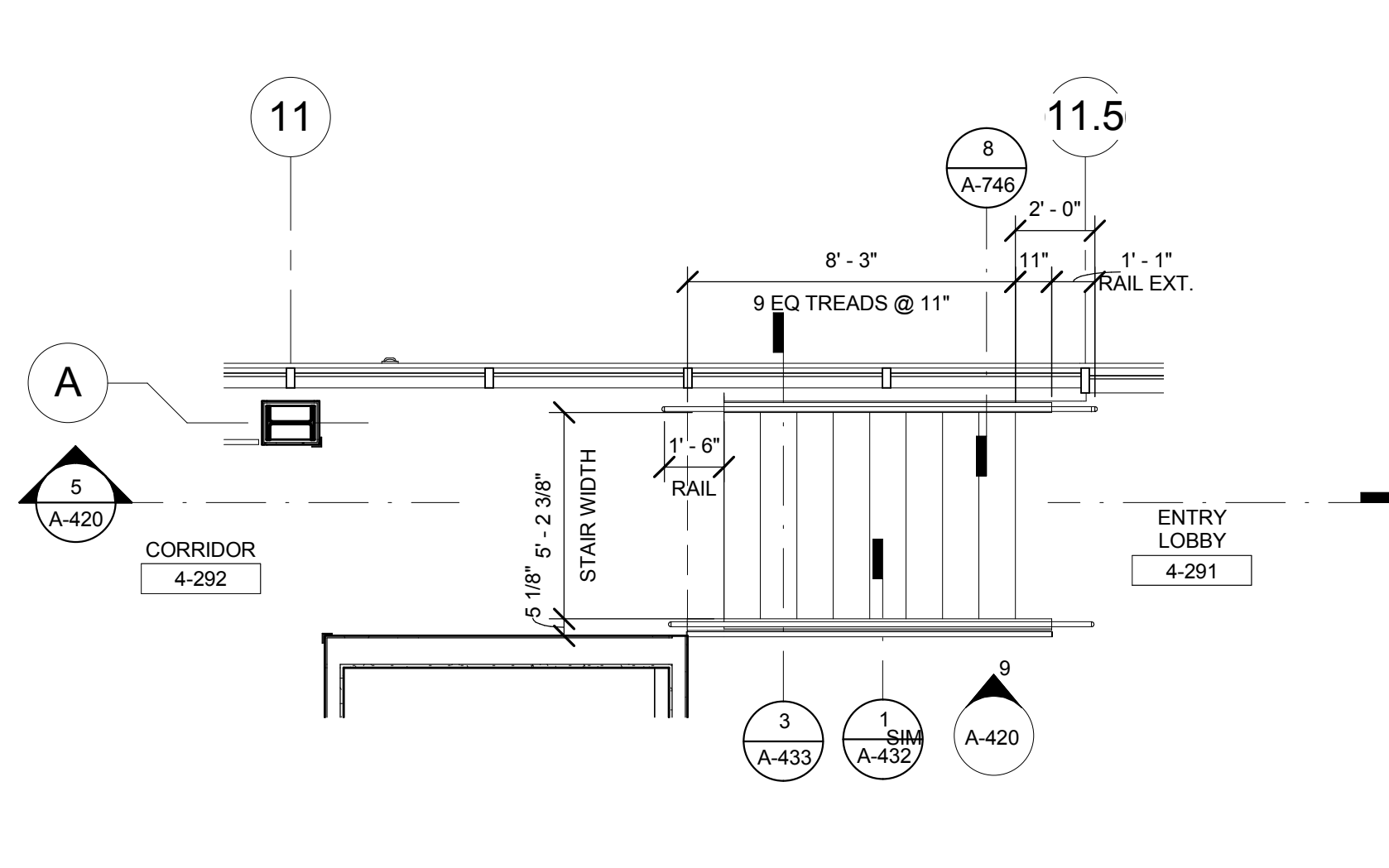
5 NORTH LOBBY STAIR - ST01
1/4" = 1'-0"



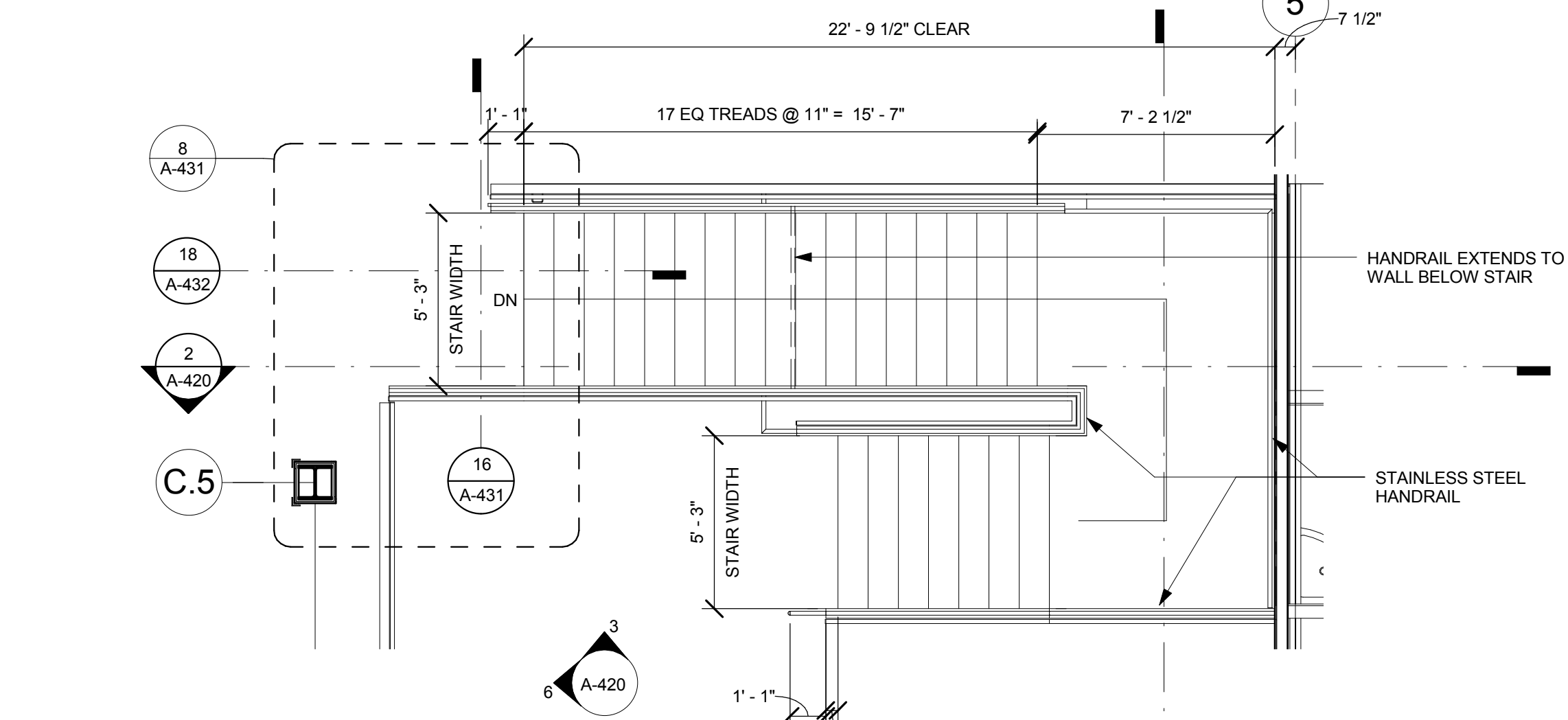
2 ENTRY LOBBY STAIR - ST05 - SECTION
1/4" = 1'-0"



7 NORTH LOBBY STAIR - ST02 - LEVEL 2
1/4" = 1'-0"



4 NORTH LOBBY - ST01 - LEVEL 2
1/4" = 1'-0"



1 ENTRY LOBBY STAIR - ST05 - LEVEL 2
1/4" = 1'-0"