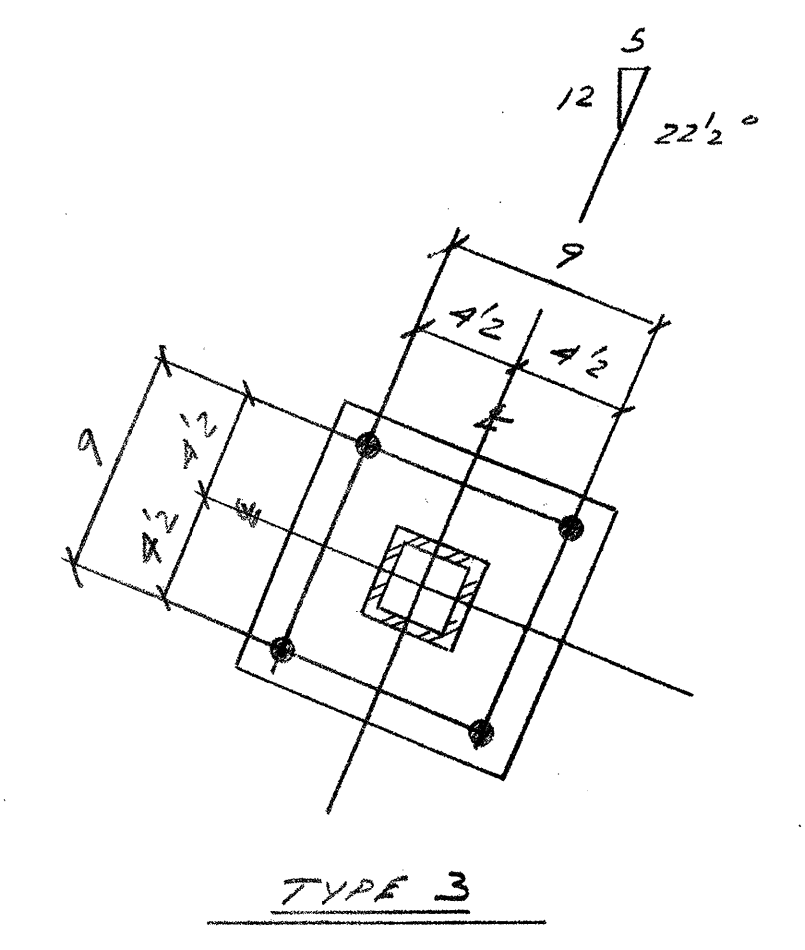
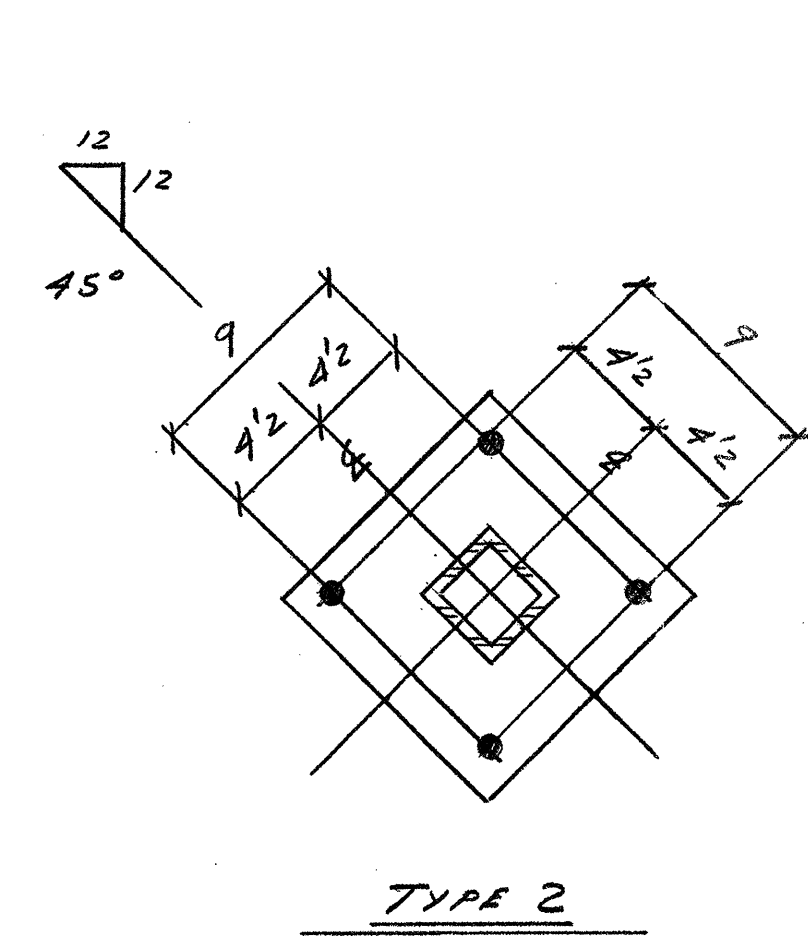
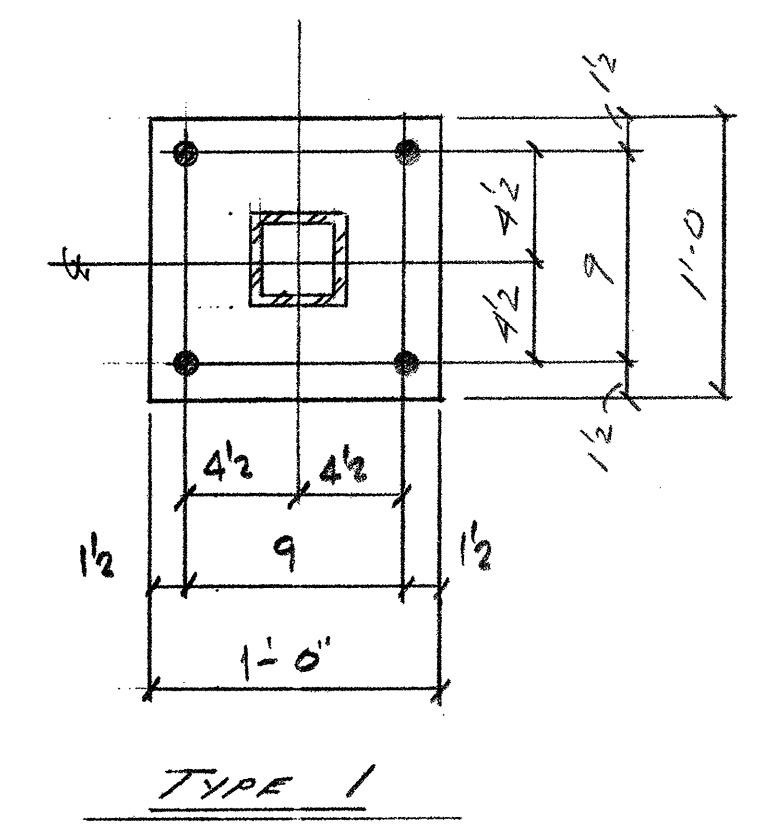
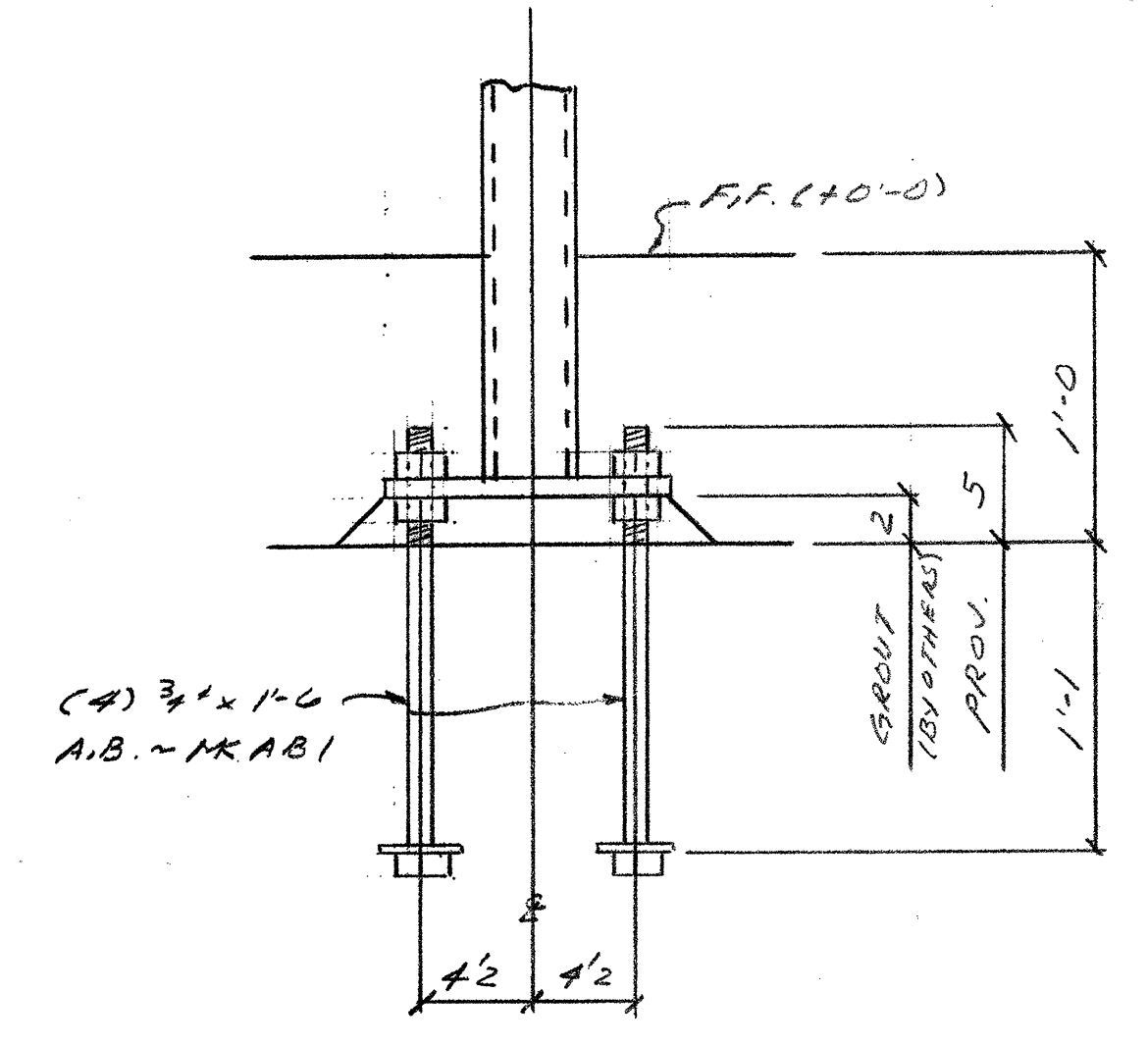



NOTES:
 1. COLUMNS ARE T3 x 4 x 4.
 2. DIMENSIONS ARE TO F.O. STUDS (U.M.O.)



SEE SK-1 FOR ANCHOR BOLT DETAIL.

AS-BUILTS

REV. NO.	DESCRIPTION	DATE	BY
A	FOR APPROVAL	3/7/02	
O	RELEASE PER U.C.	5/30/02	JF
 NORTH WIND CONTRACTORS 415 E. 10TH STREET PITTSBURG, CA 94565 STEEL FABRICATION			
CHILD DEVELOPMENT CENTER REDWOOD CITY, CA CONTRACTOR: GONSALES & STRONCH			
"ANCHOR BOLT & COLUMN SETTING PLAN"			
DESIGN: 52.1a	SCALE:	DRAWN BY: JHS	REV. JOB NO: 02-15
ERECTON:	DATE:	DATE: 3/3/02	DRAWING NO: ABI
		CHECKED BY: JVS	
		DATE: 3/5/02	