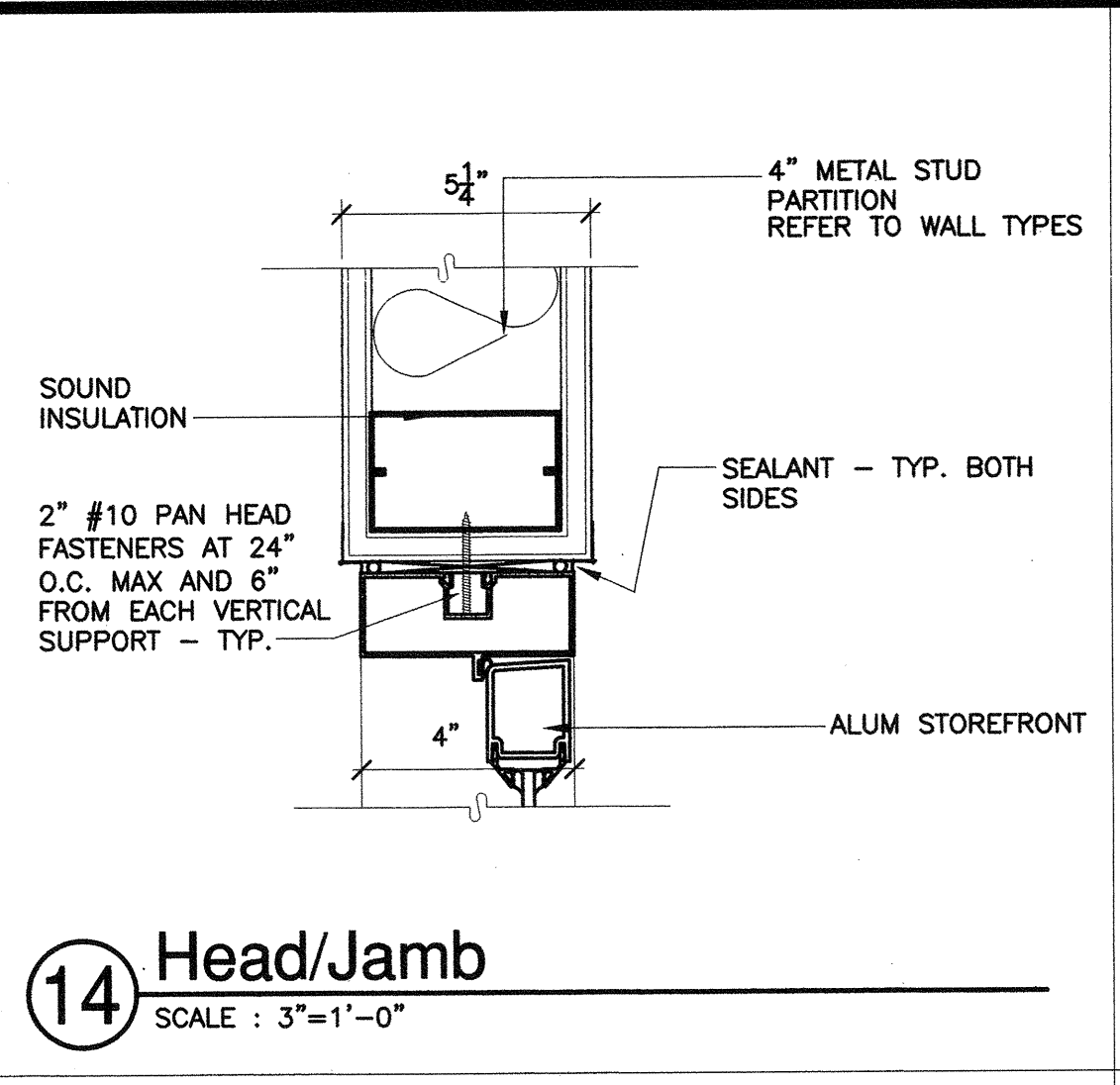
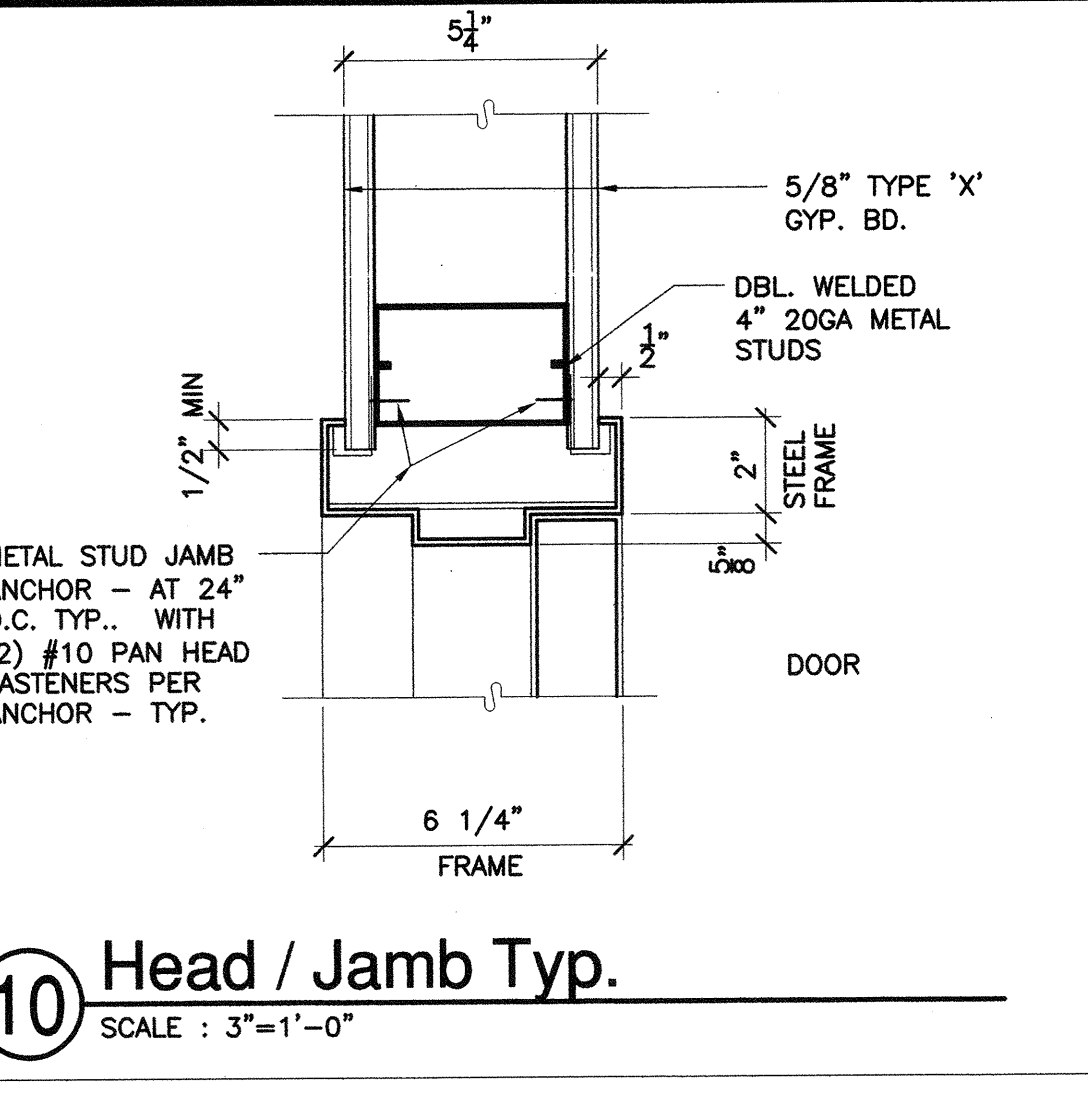


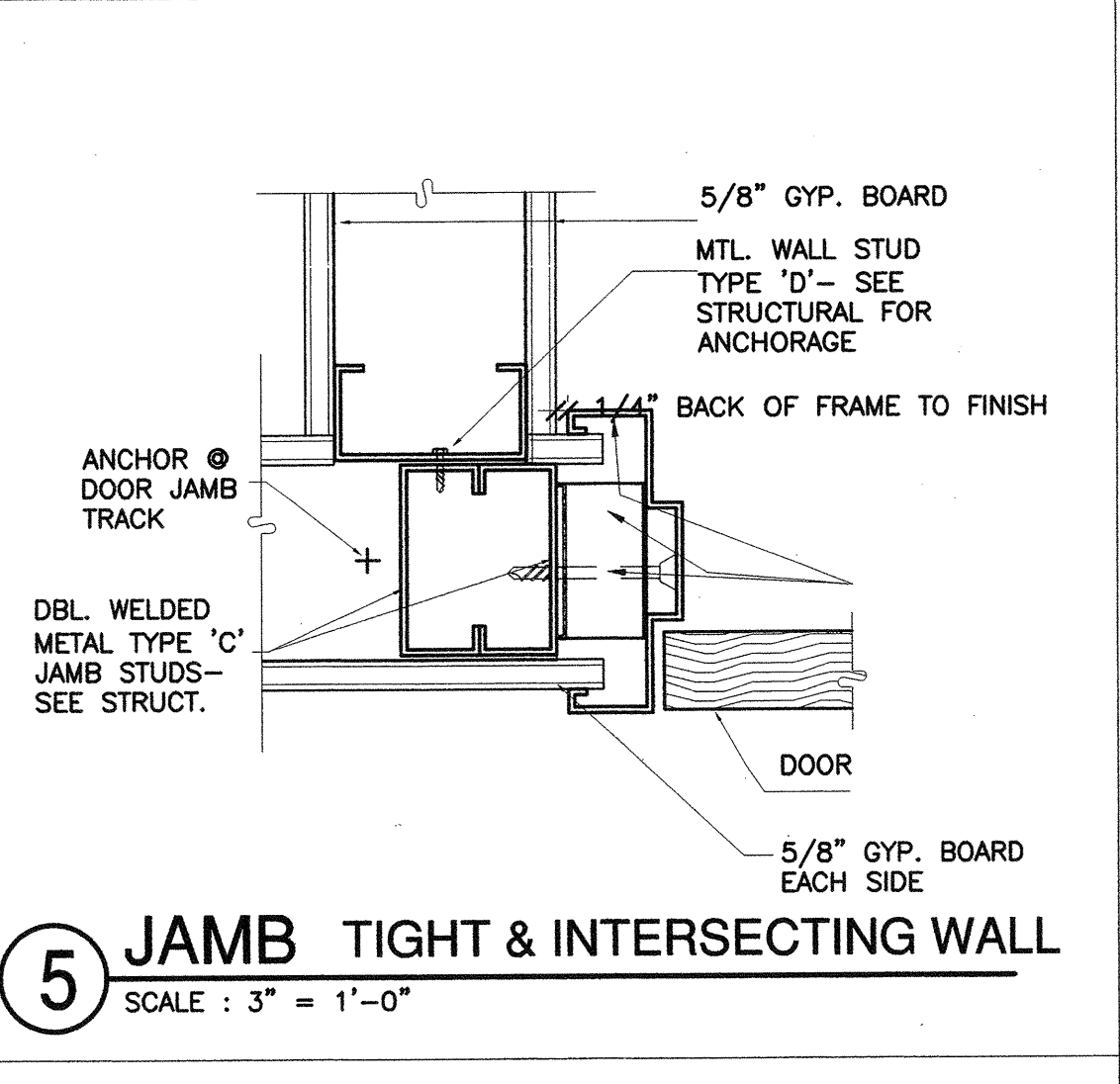
18 Threshold
SCALE : 3" = 1'-0"



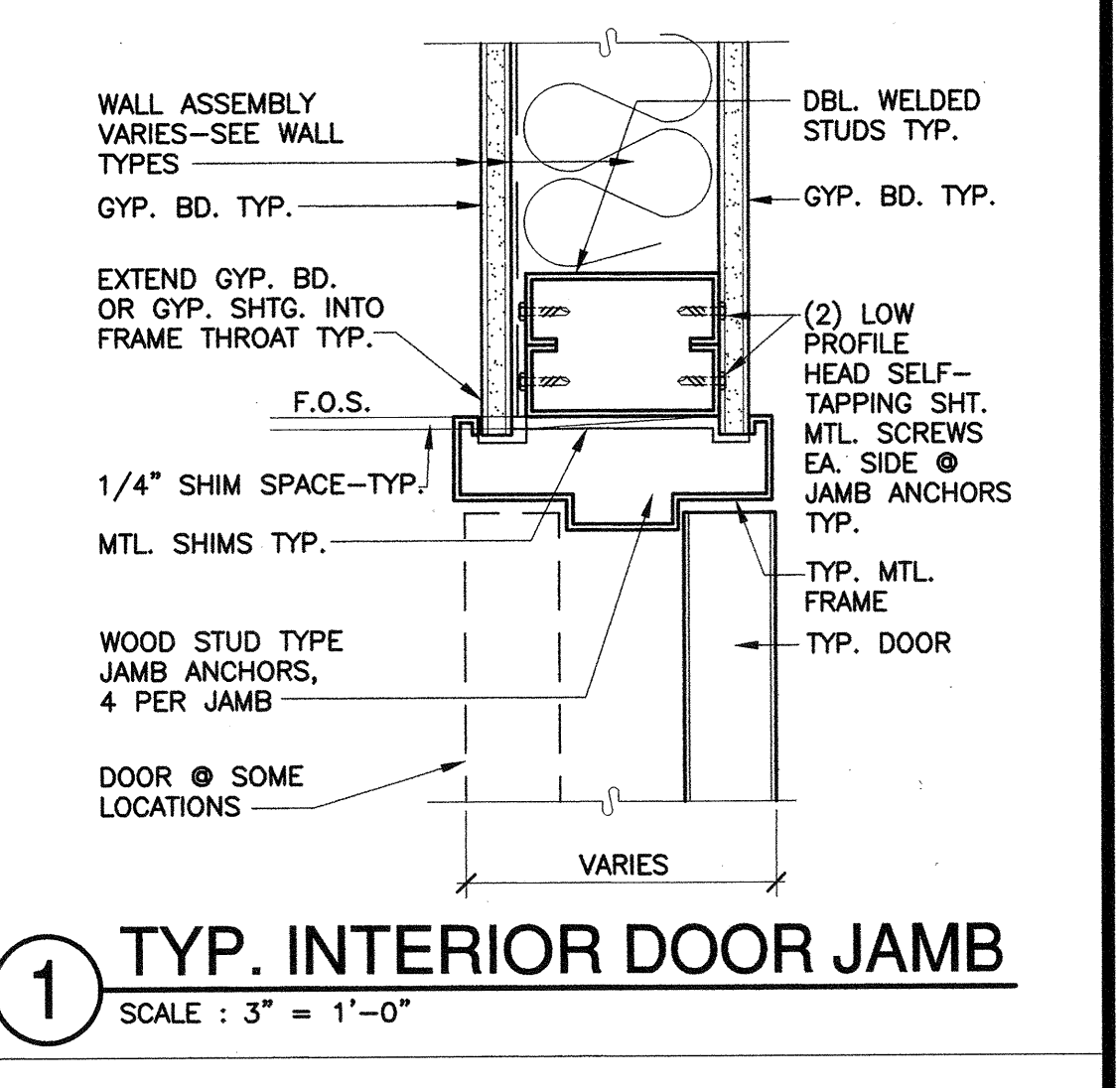
14 Head/Jamb
SCALE : 3" = 1'-0"



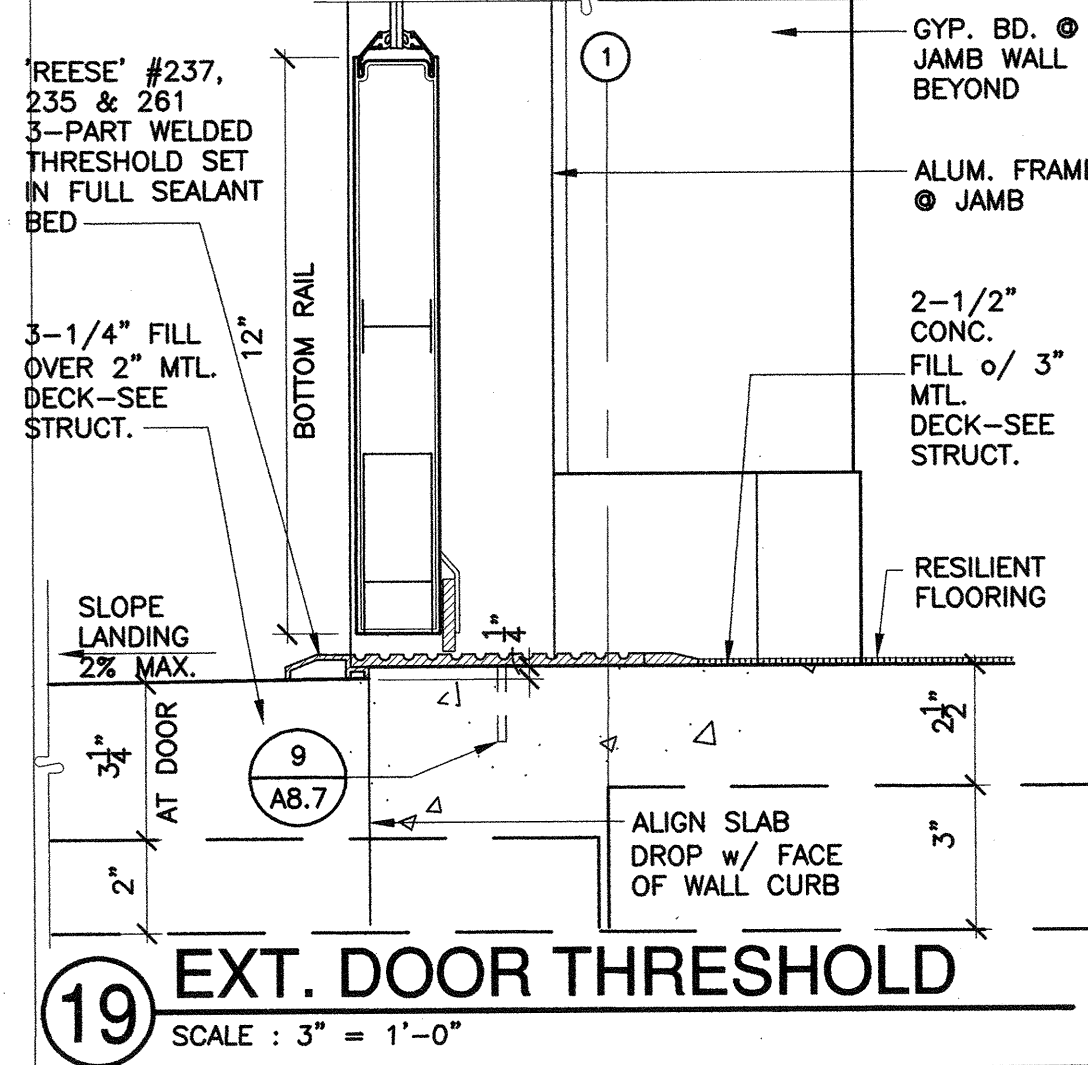
10 Head / Jamb Typ.
SCALE : 3" = 1'-0"



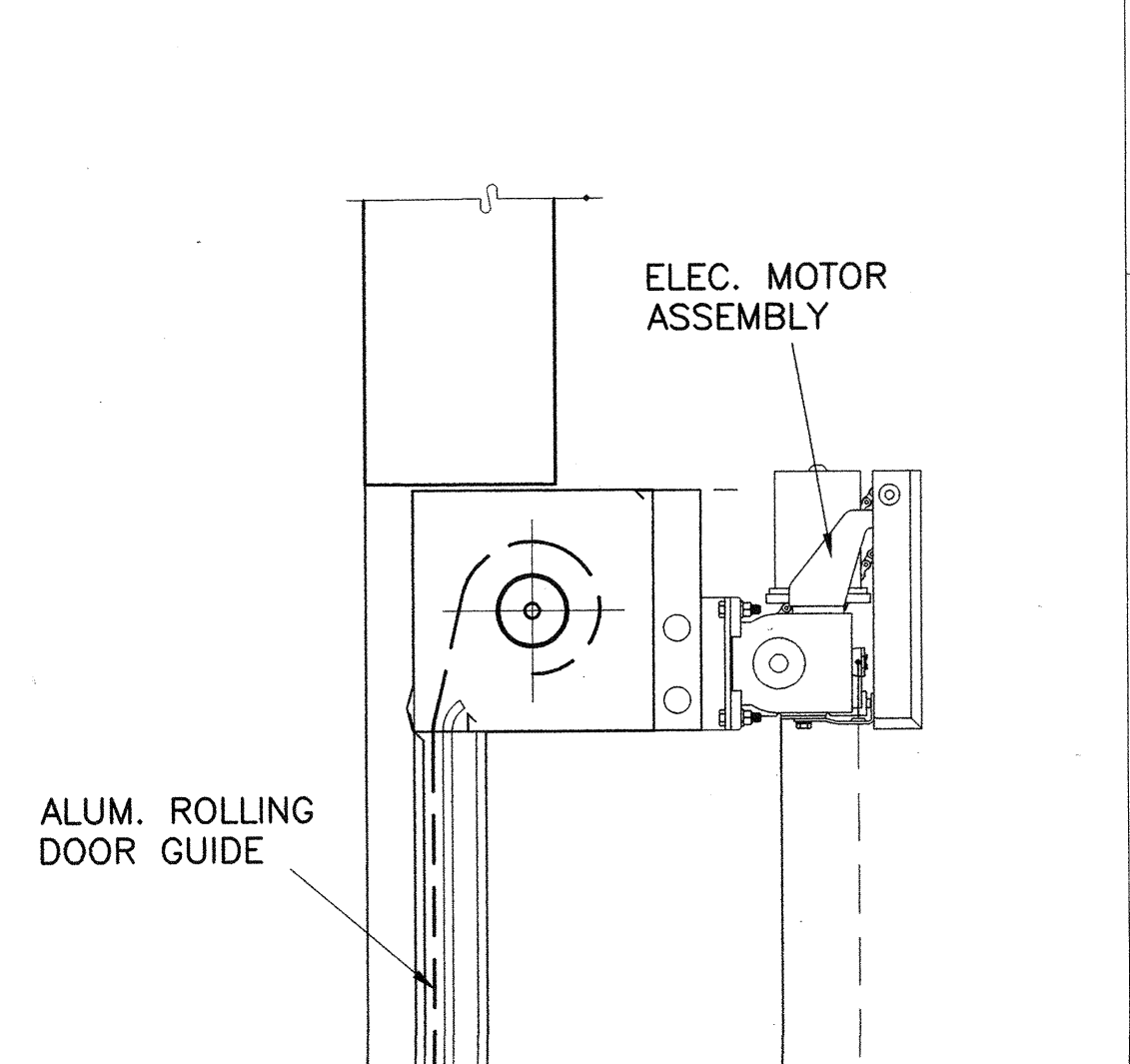
5 JAMB TIGHT & INTERSECTING WALL
SCALE : 3" = 1'-0"



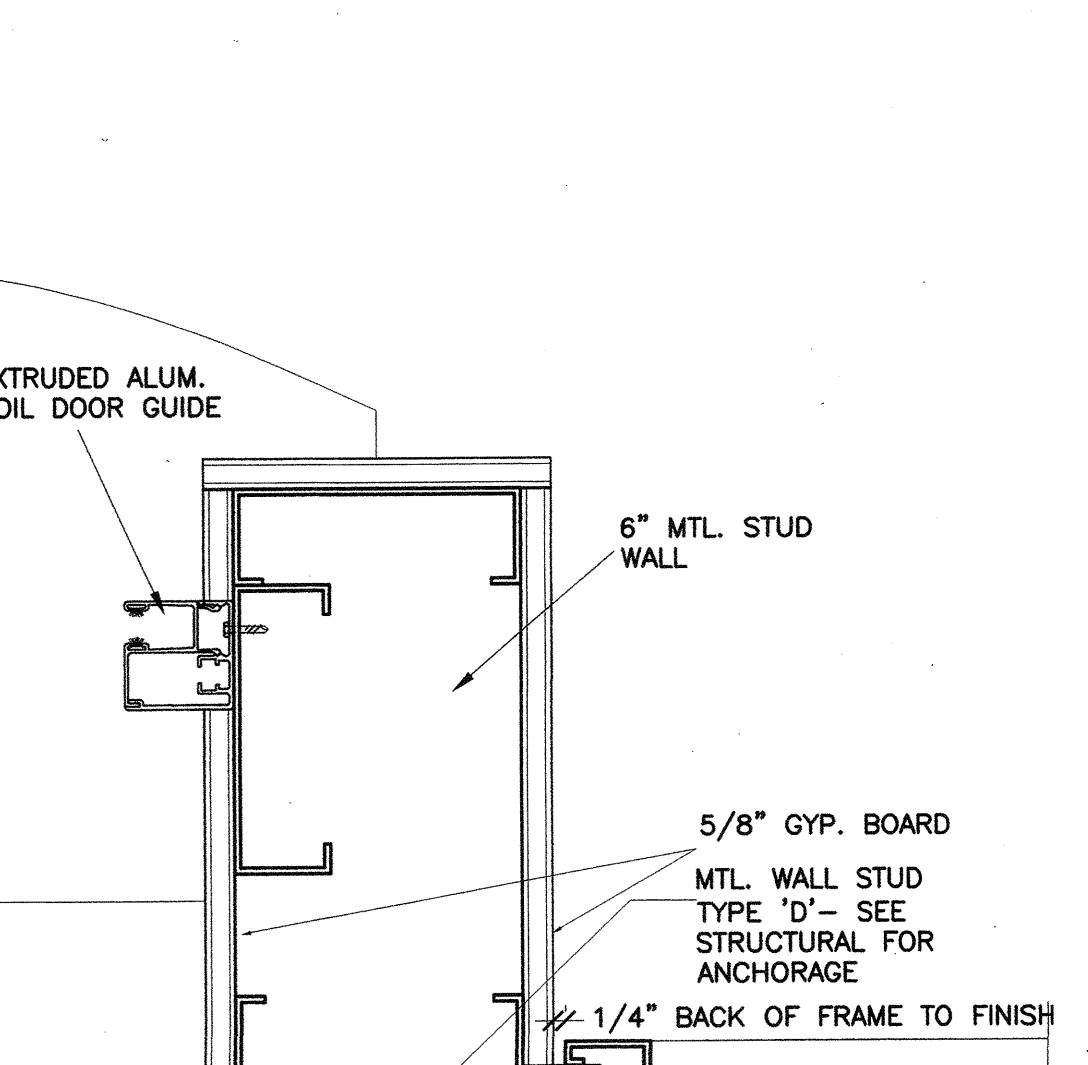
1 TYP. INTERIOR DOOR JAMB
SCALE : 3" = 1'-0"



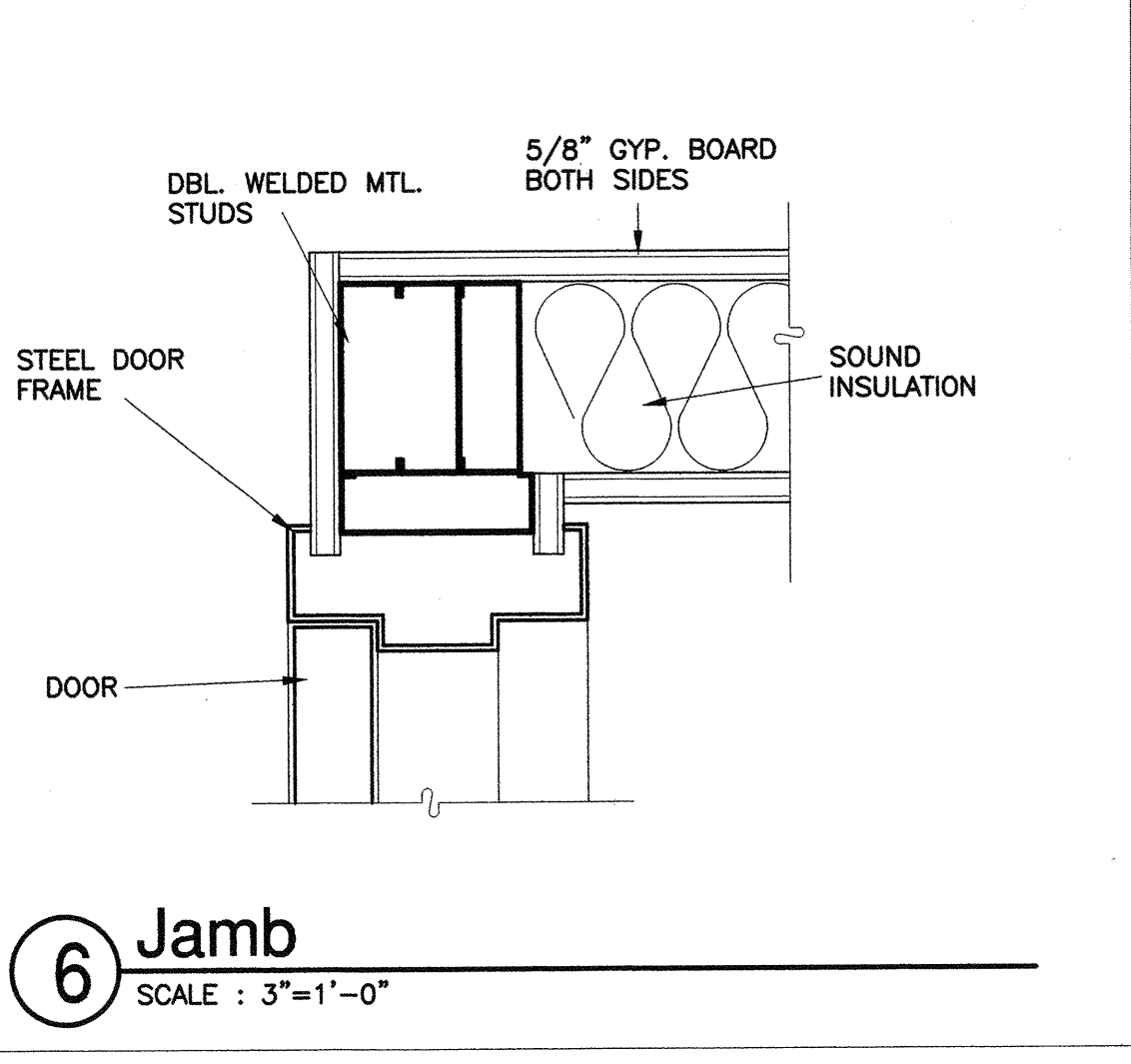
19 EXT. DOOR THRESHOLD
SCALE : 3" = 1'-0"



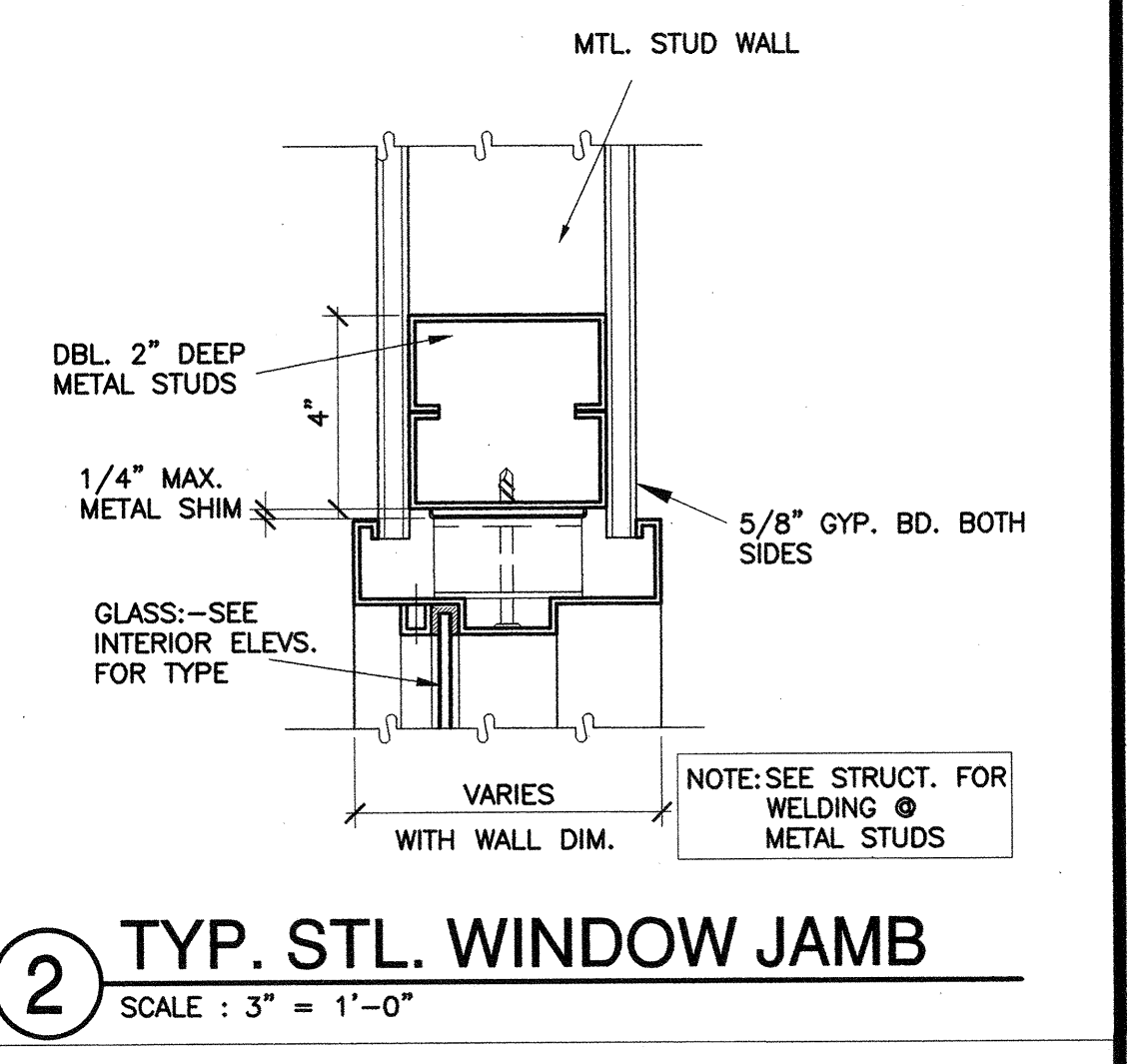
15 ROLL UP DOOR HEAD/SILL
SCALE : 1 1/2" = 1'



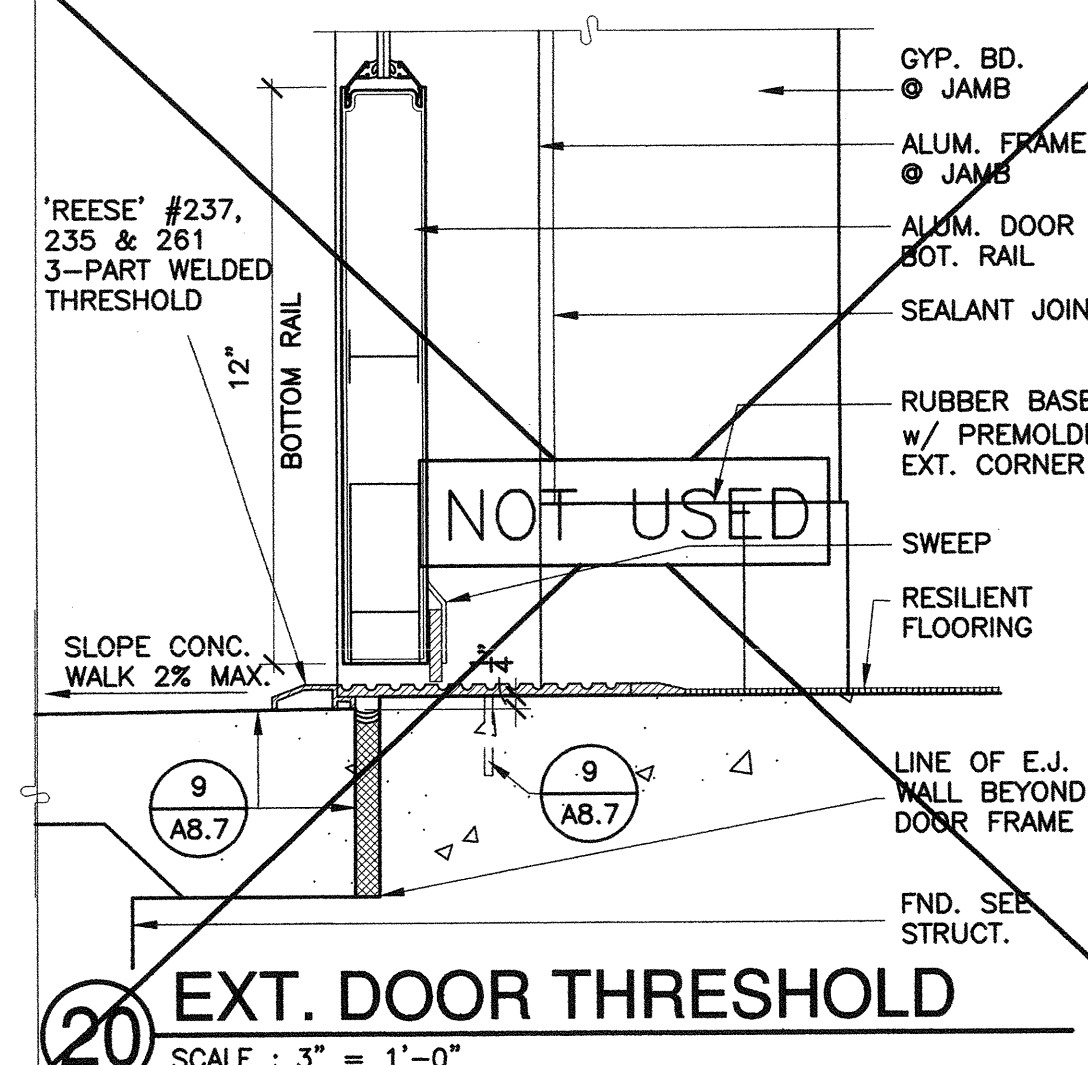
11 JAMB AT LAB SERVICE COUNTER
SCALE : 3" = 1'-0"



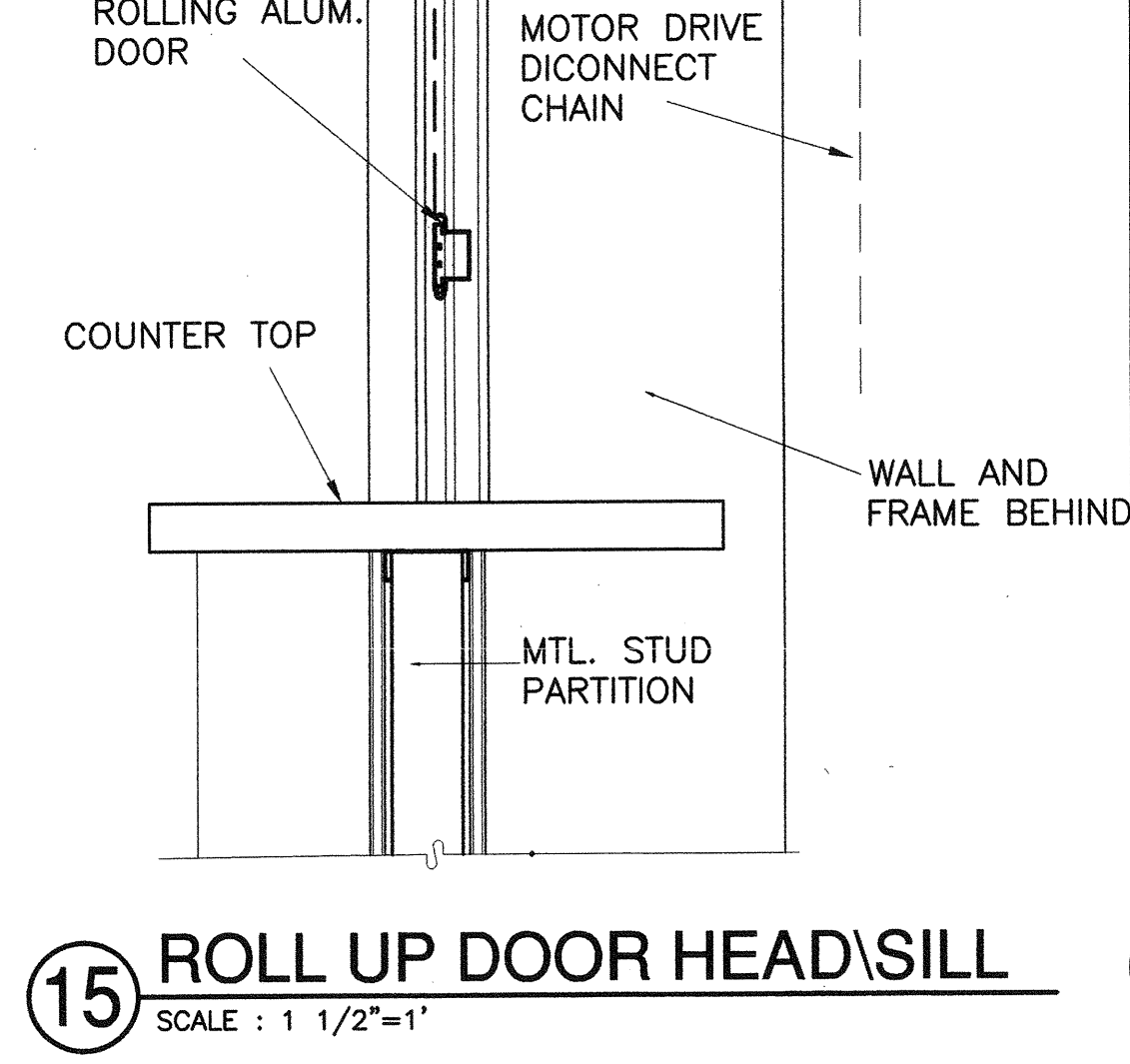
6 Jamb
SCALE : 3" = 1'-0"



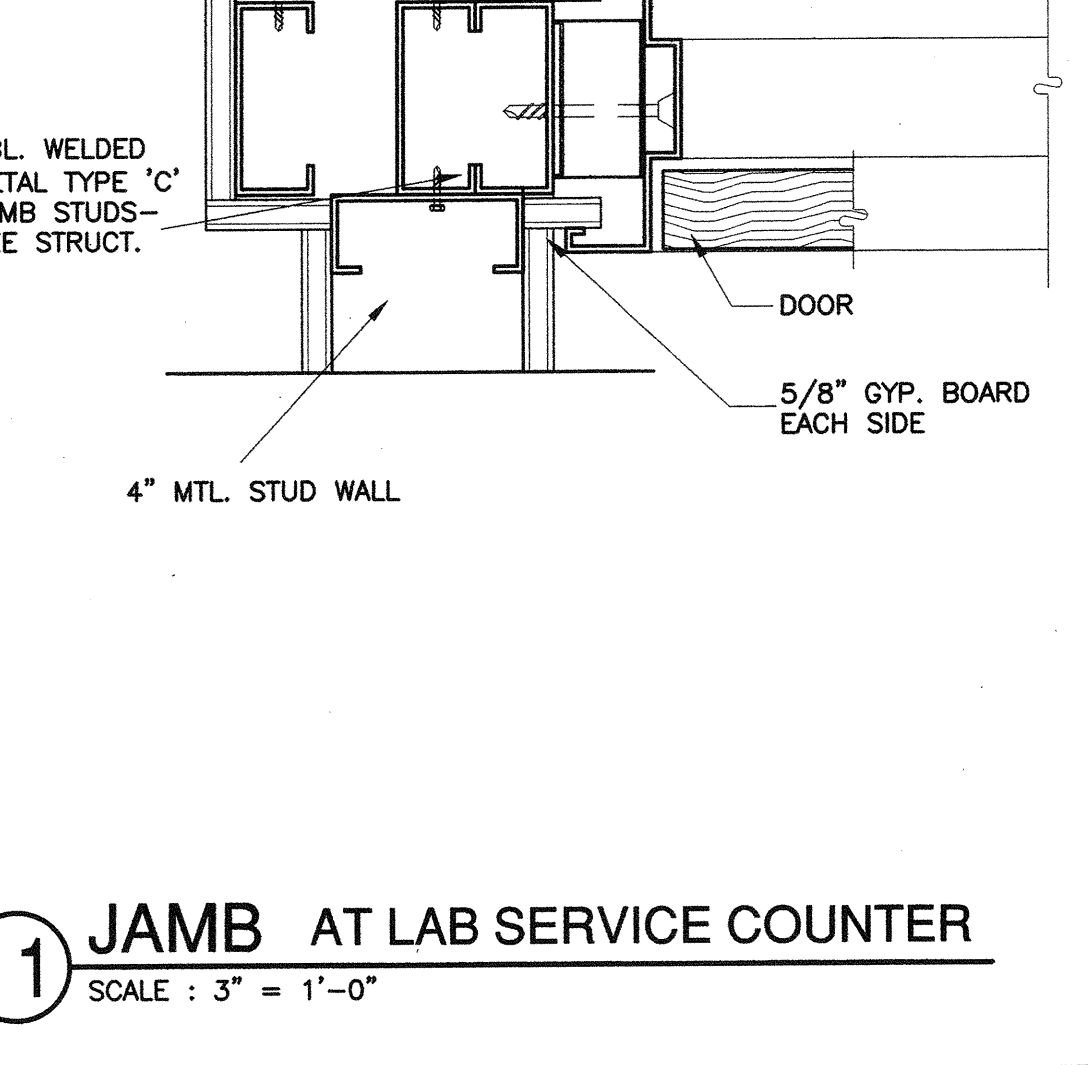
2 TYP. STL. WINDOW JAMB
SCALE : 3" = 1'-0"



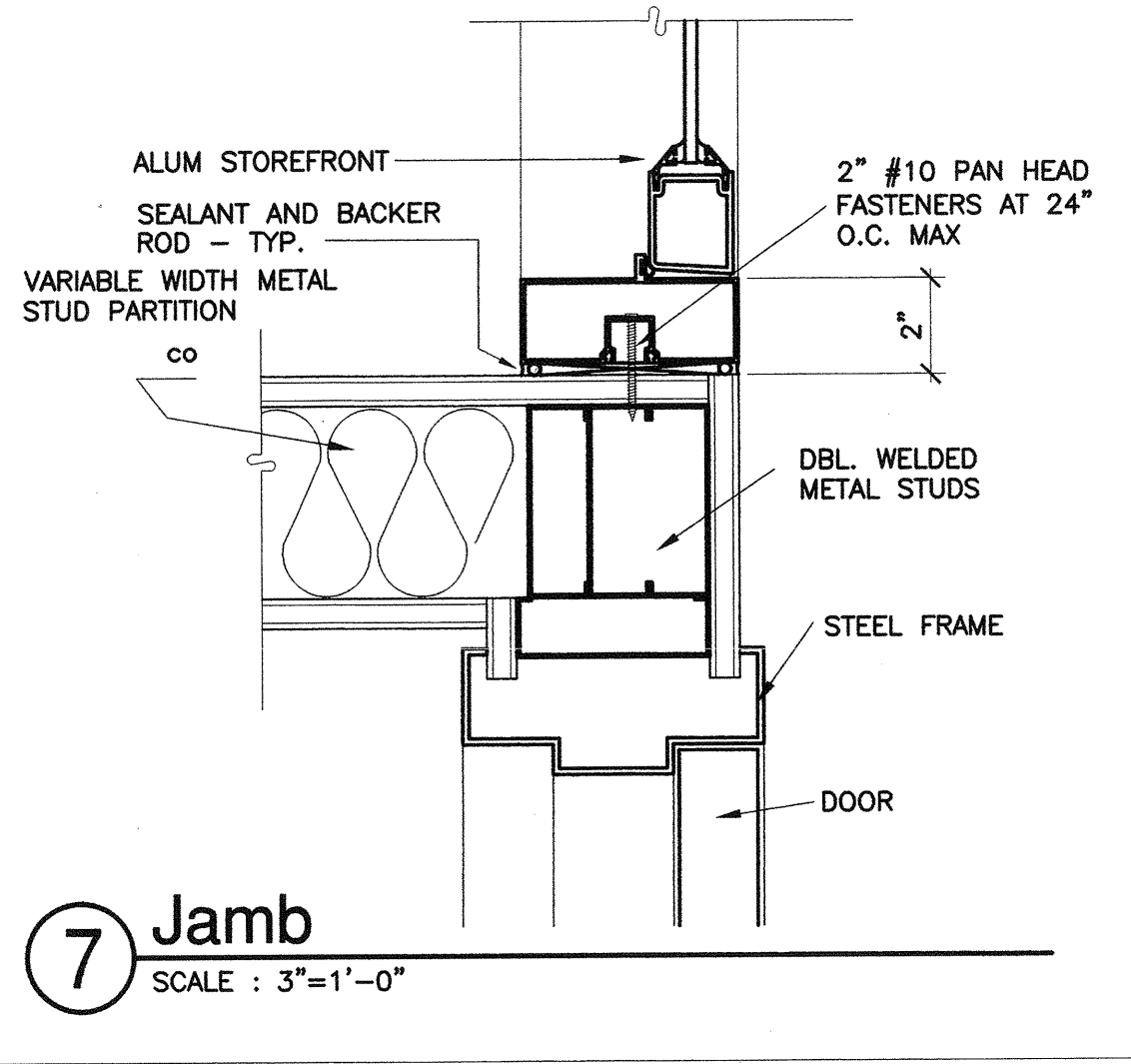
20 EXT. DOOR THRESHOLD
SCALE : 3" = 1'-0"



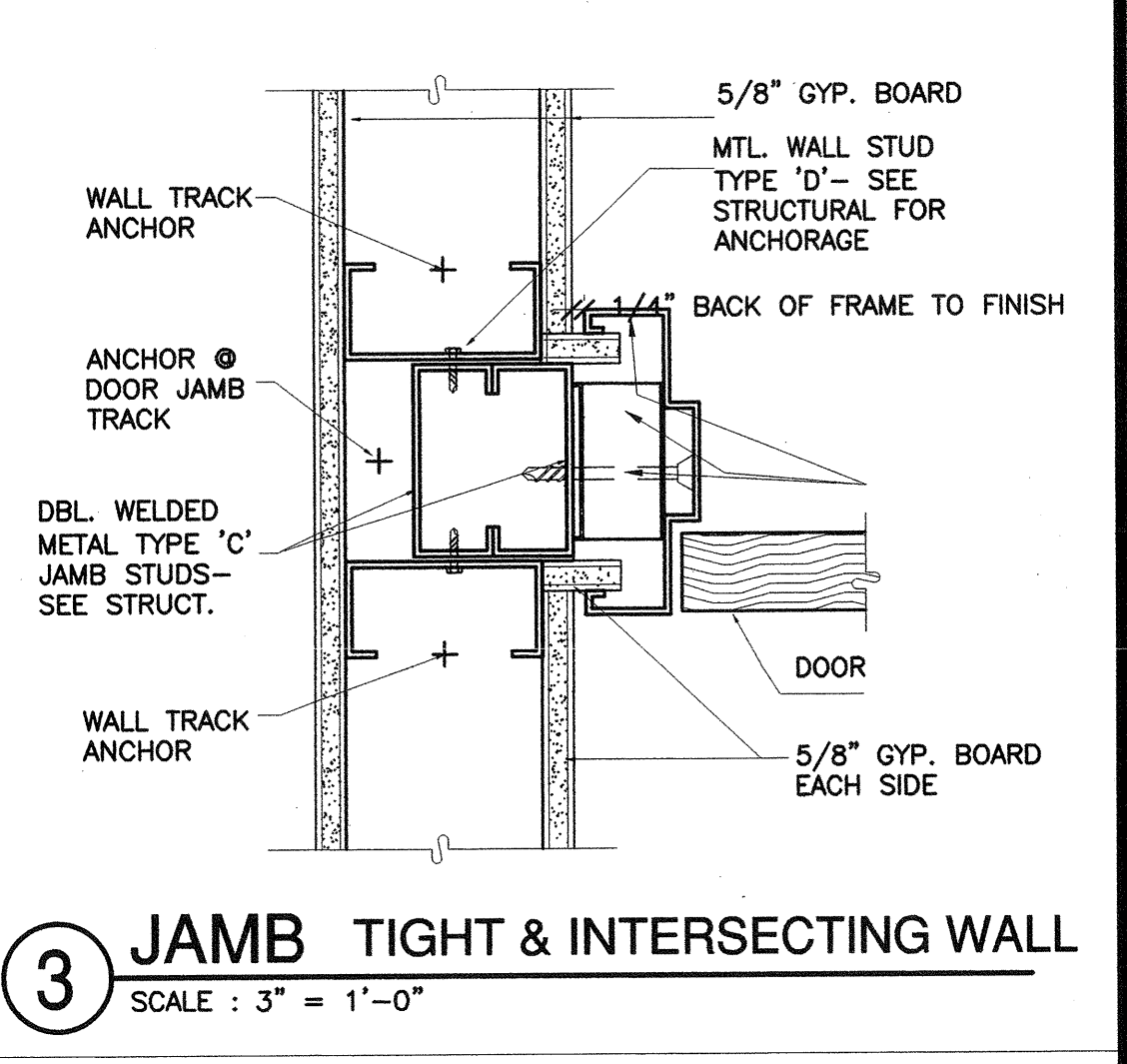
17 HEAD/JAMB
SCALE : 3" = 1'-0"



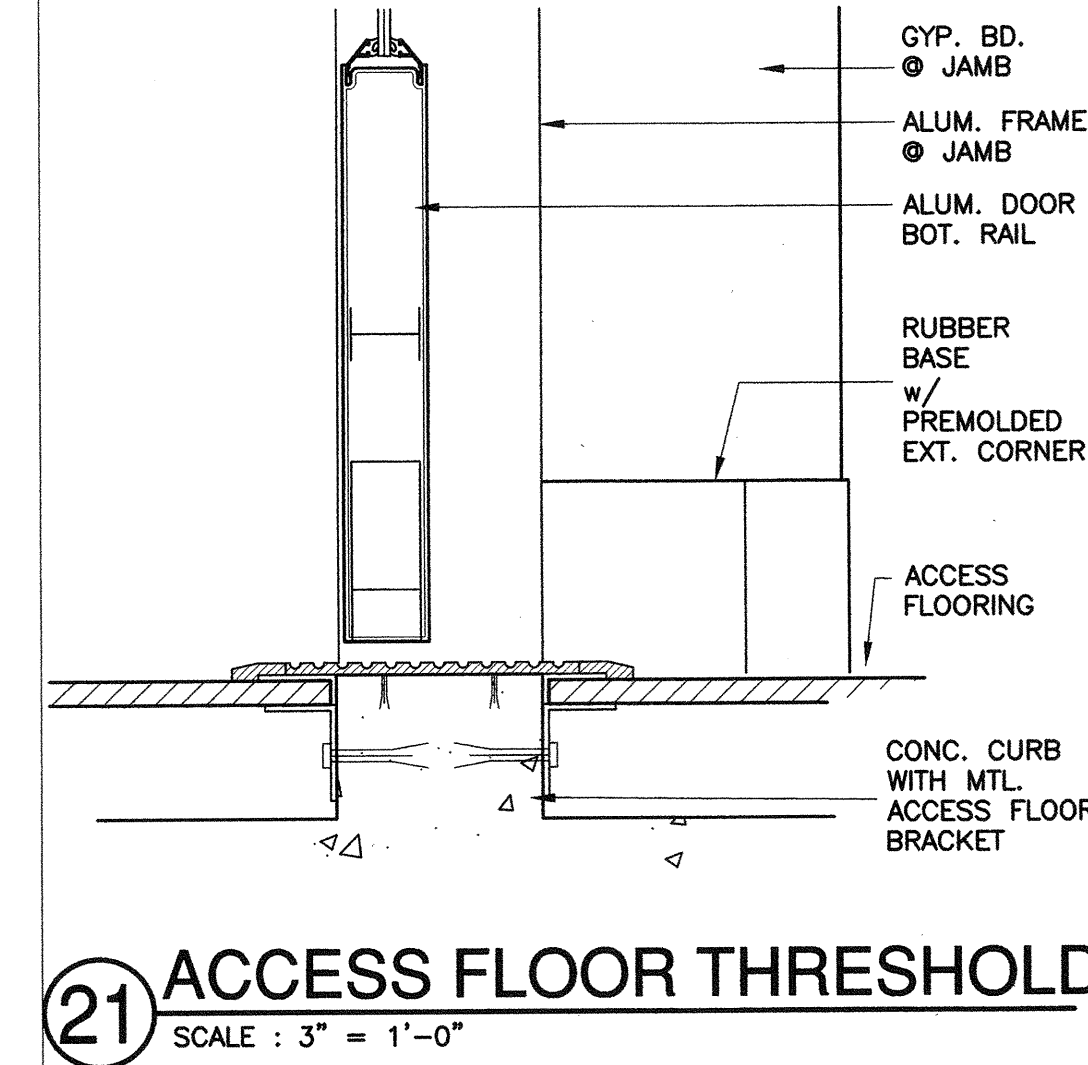
12 Jamb
SCALE : 3" = 1'-0"



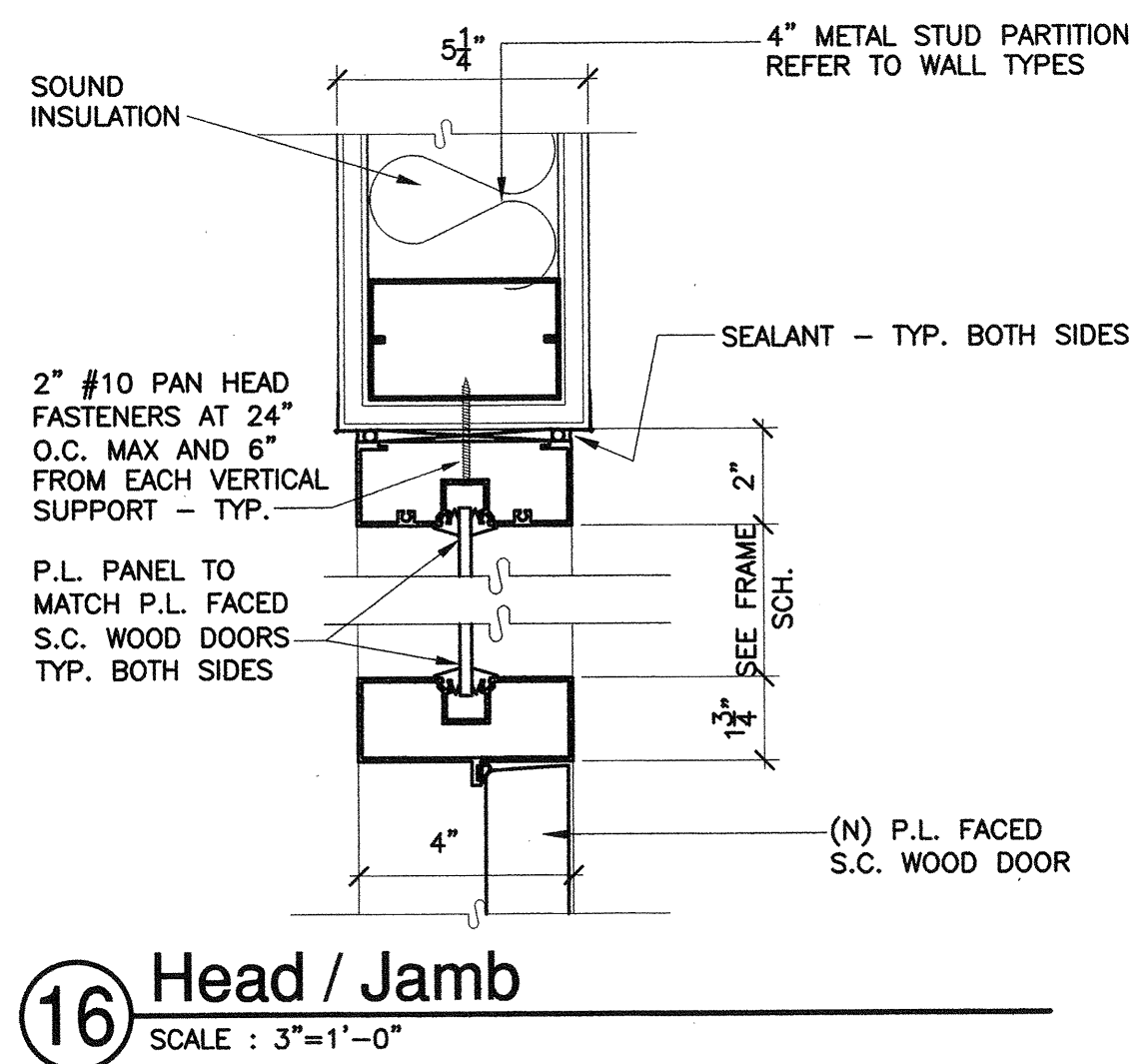
7 Jamb
SCALE : 3" = 1'-0"



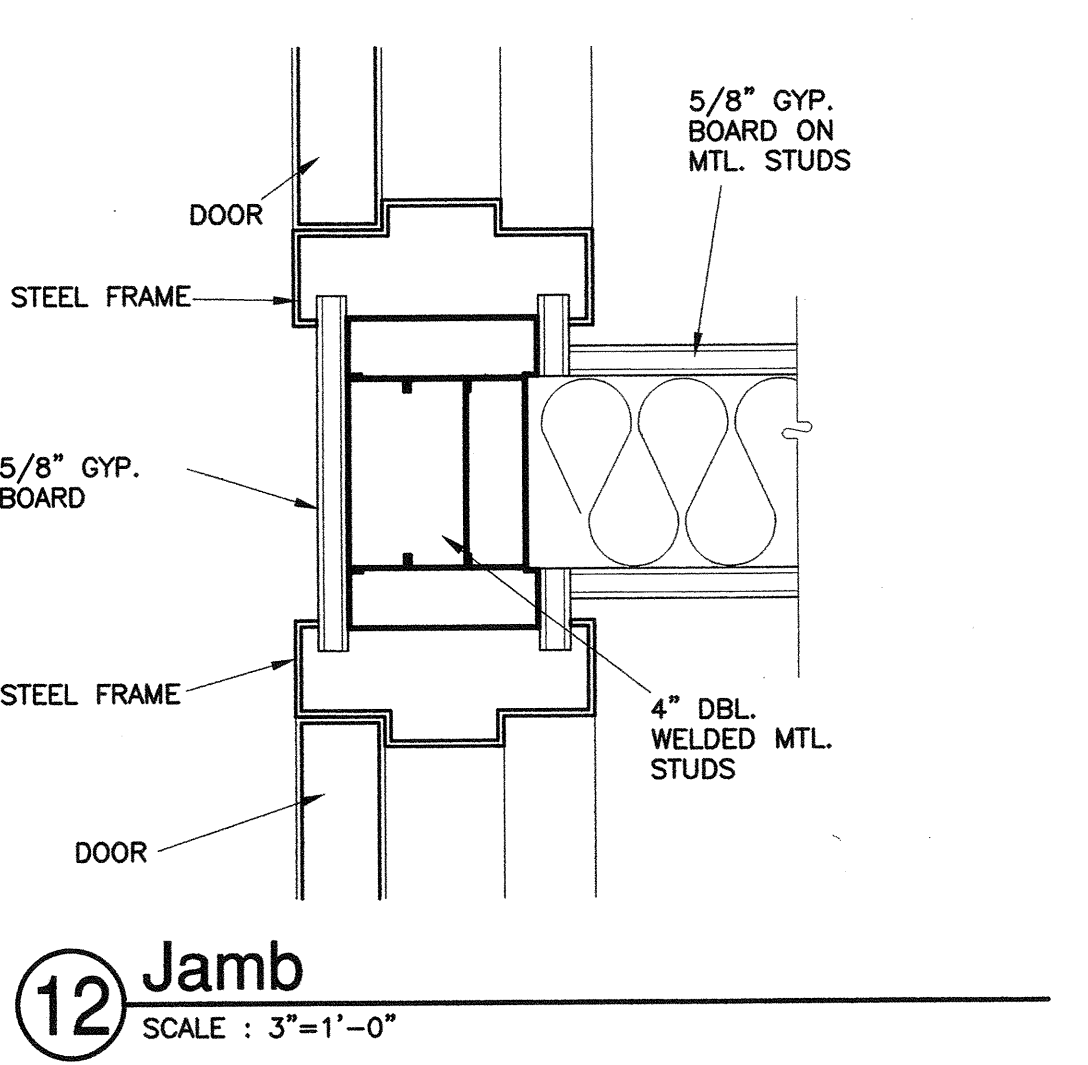
3 JAMB TIGHT & INTERSECTING WALL
SCALE : 3" = 1'-0"



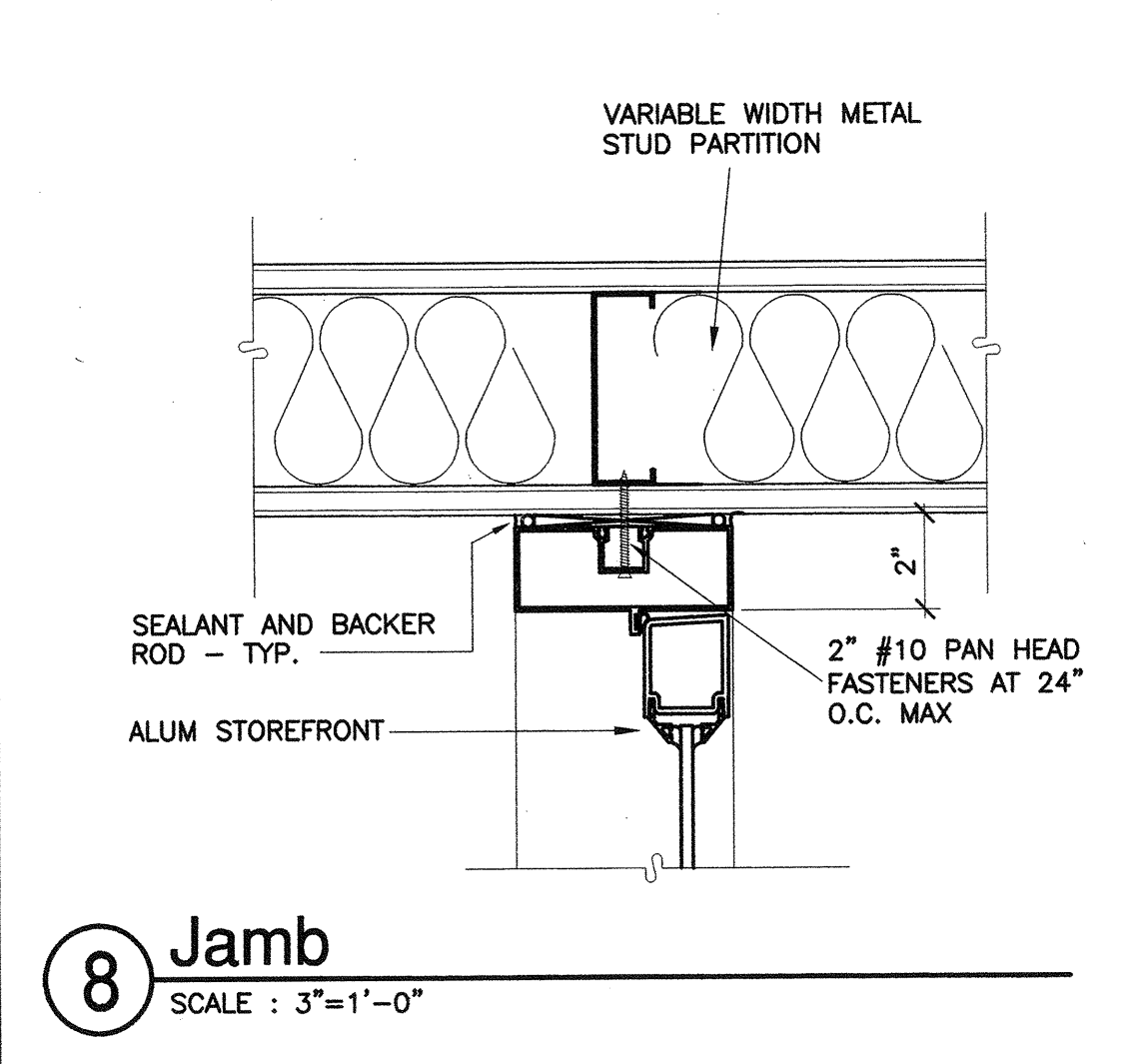
21 ACCESS FLOOR THRESHOLD
SCALE : 3" = 1'-0"



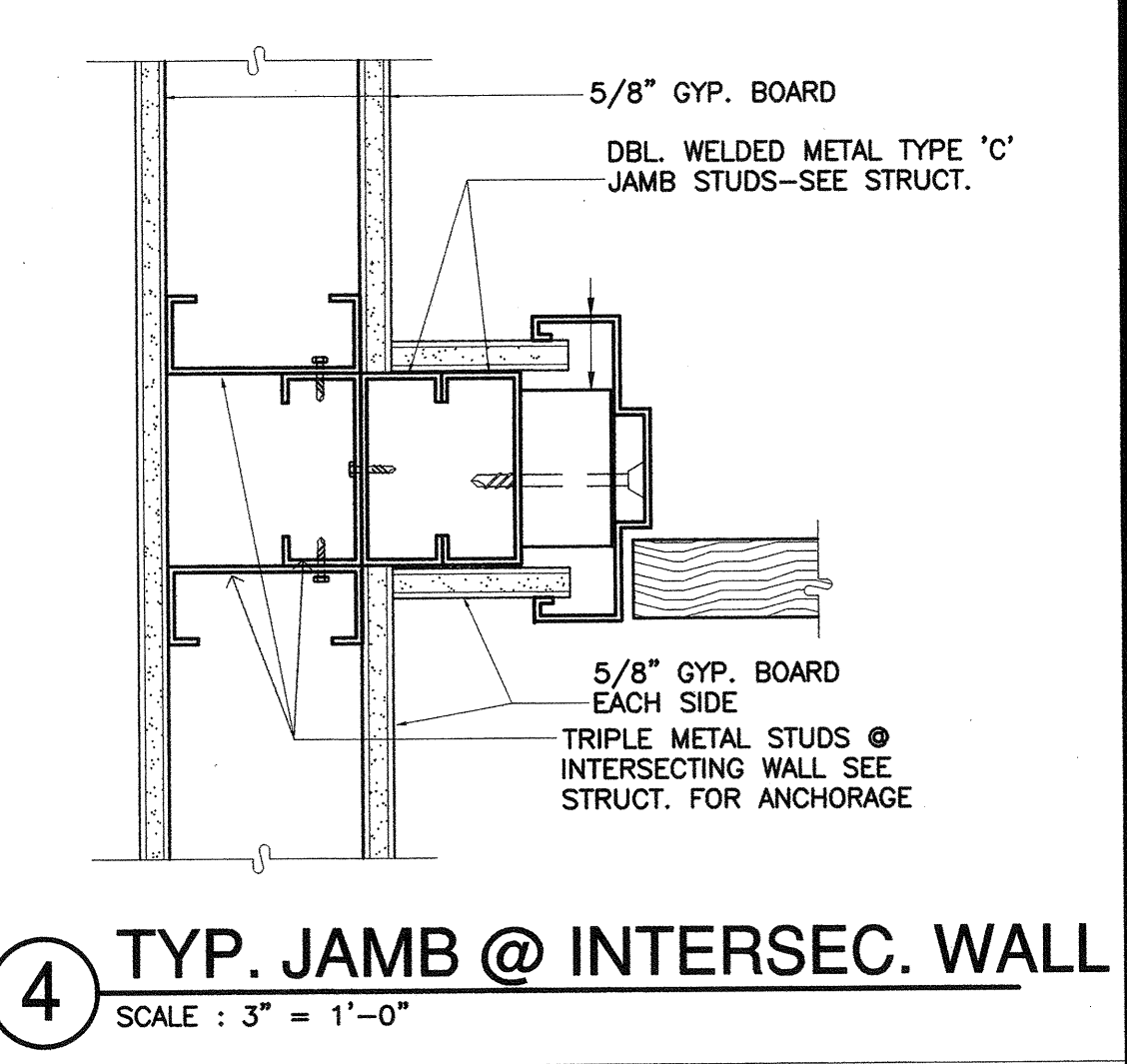
16 Head / Jamb
SCALE : 3" = 1'-0"



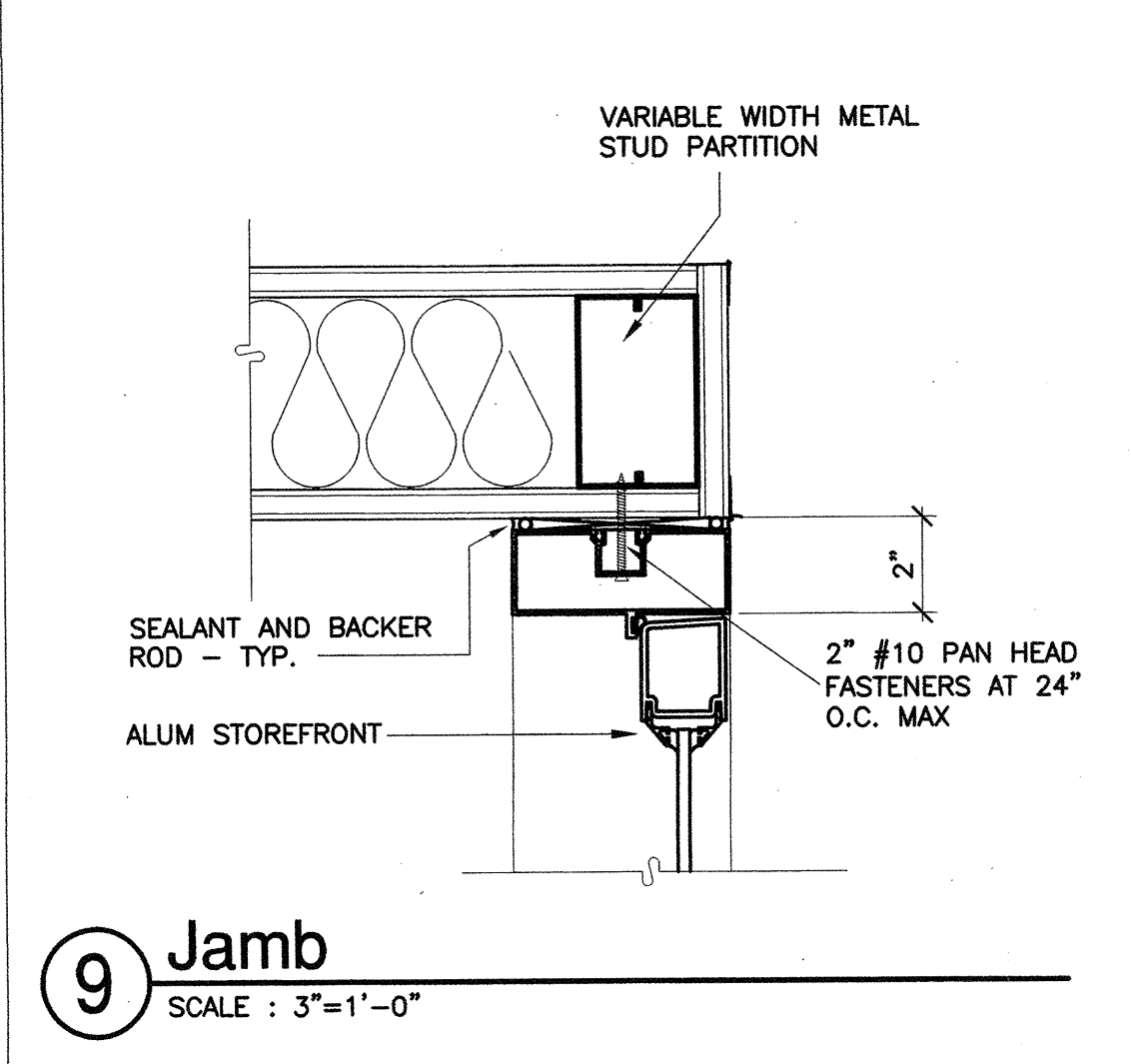
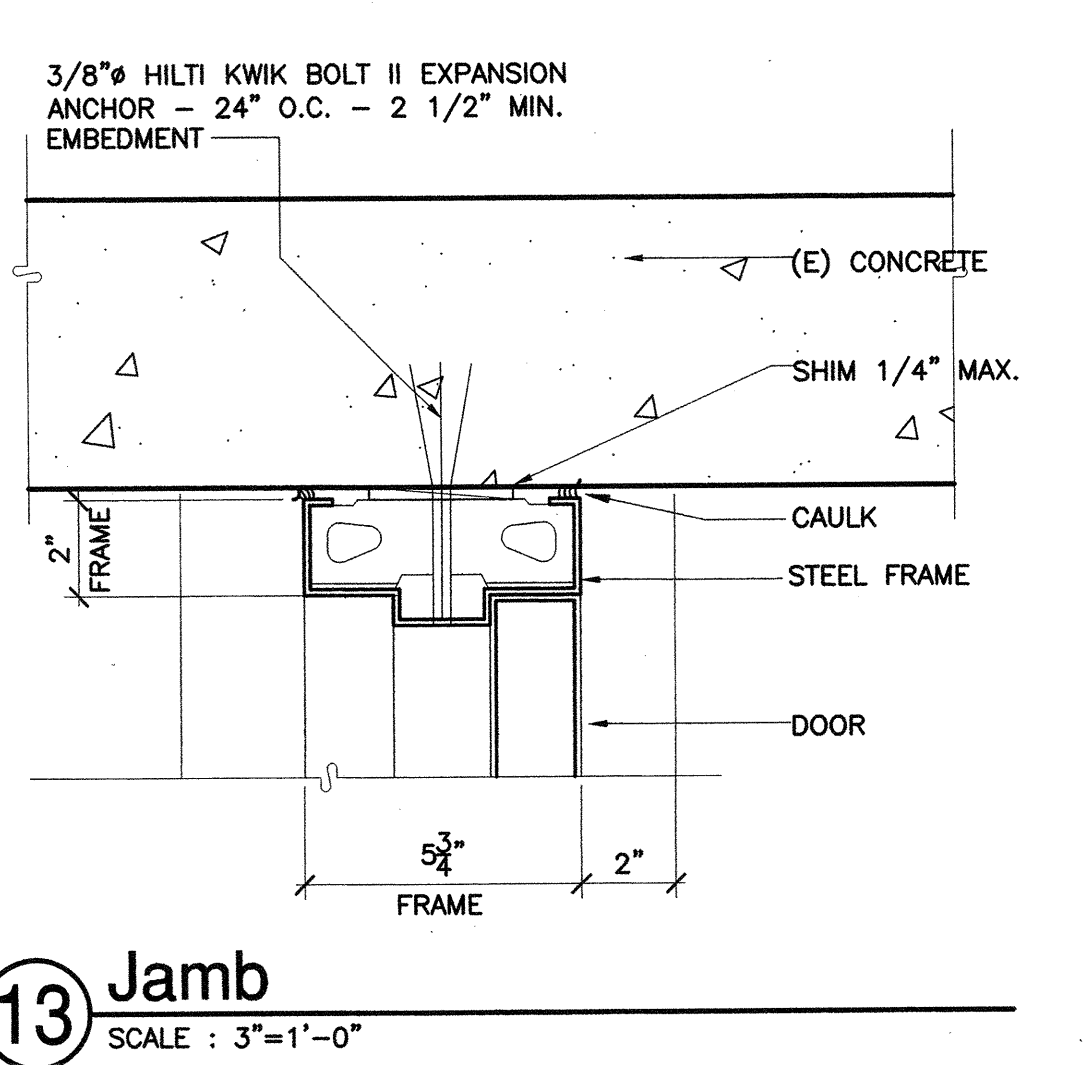
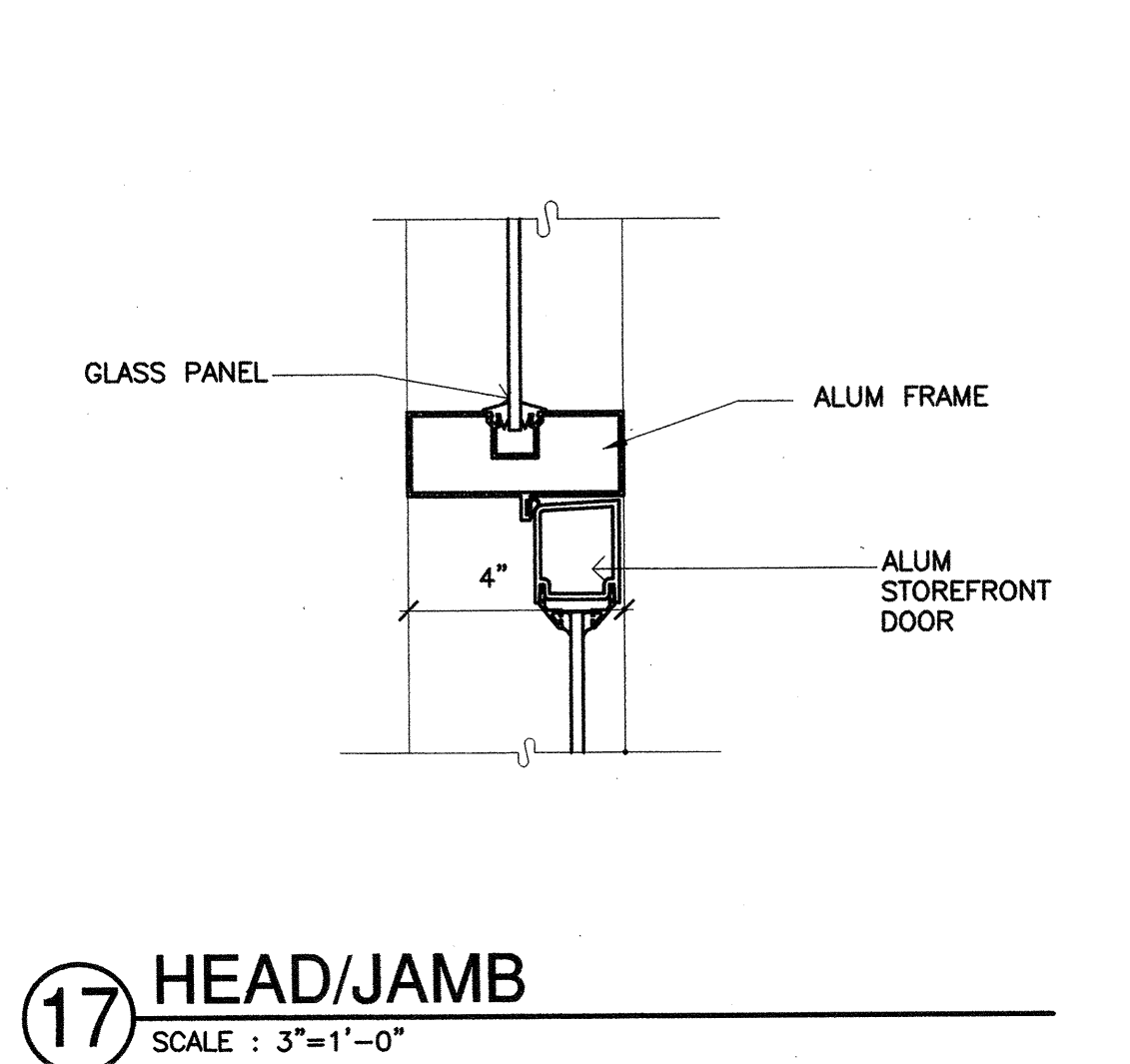
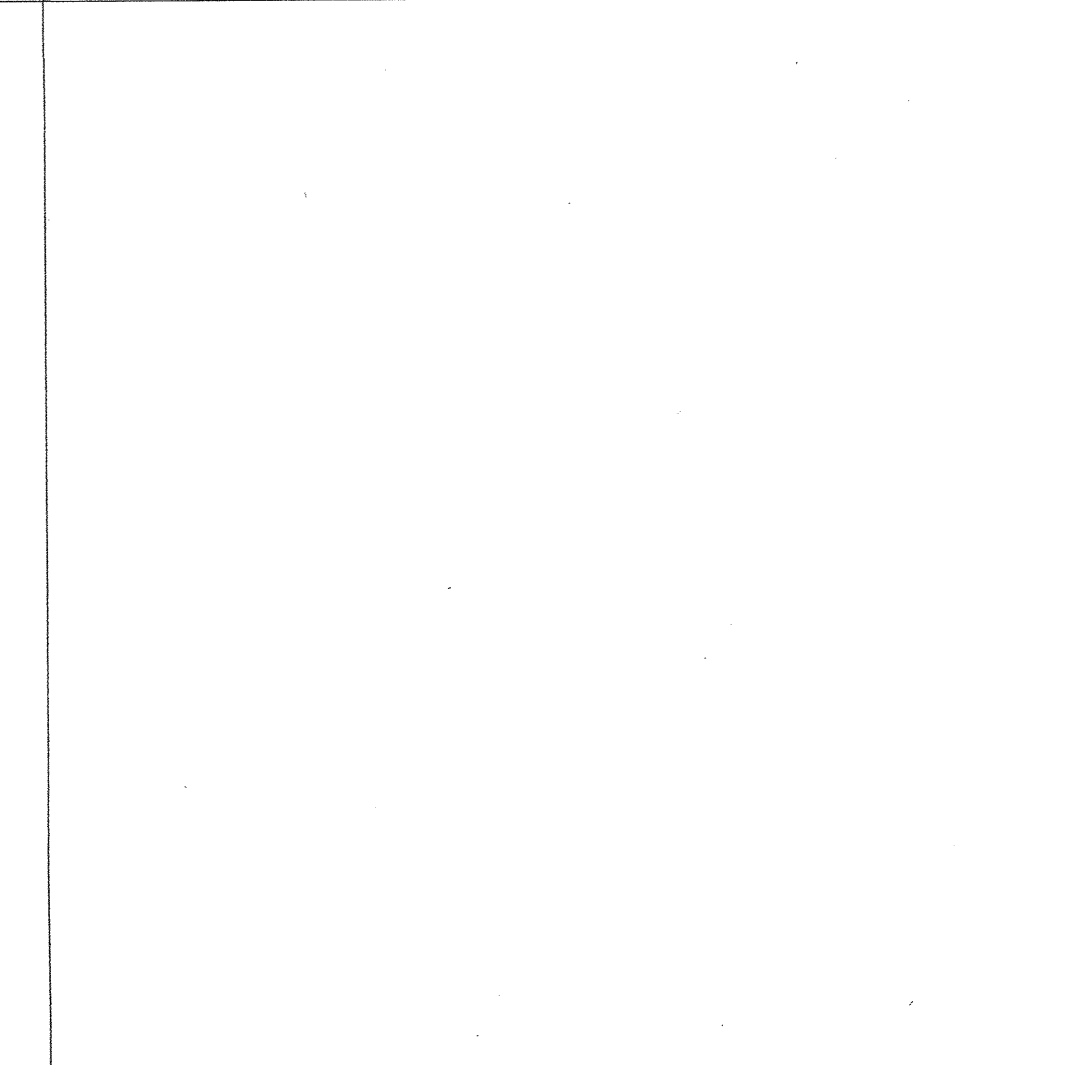
13 Jamb
SCALE : 3" = 1'-0"



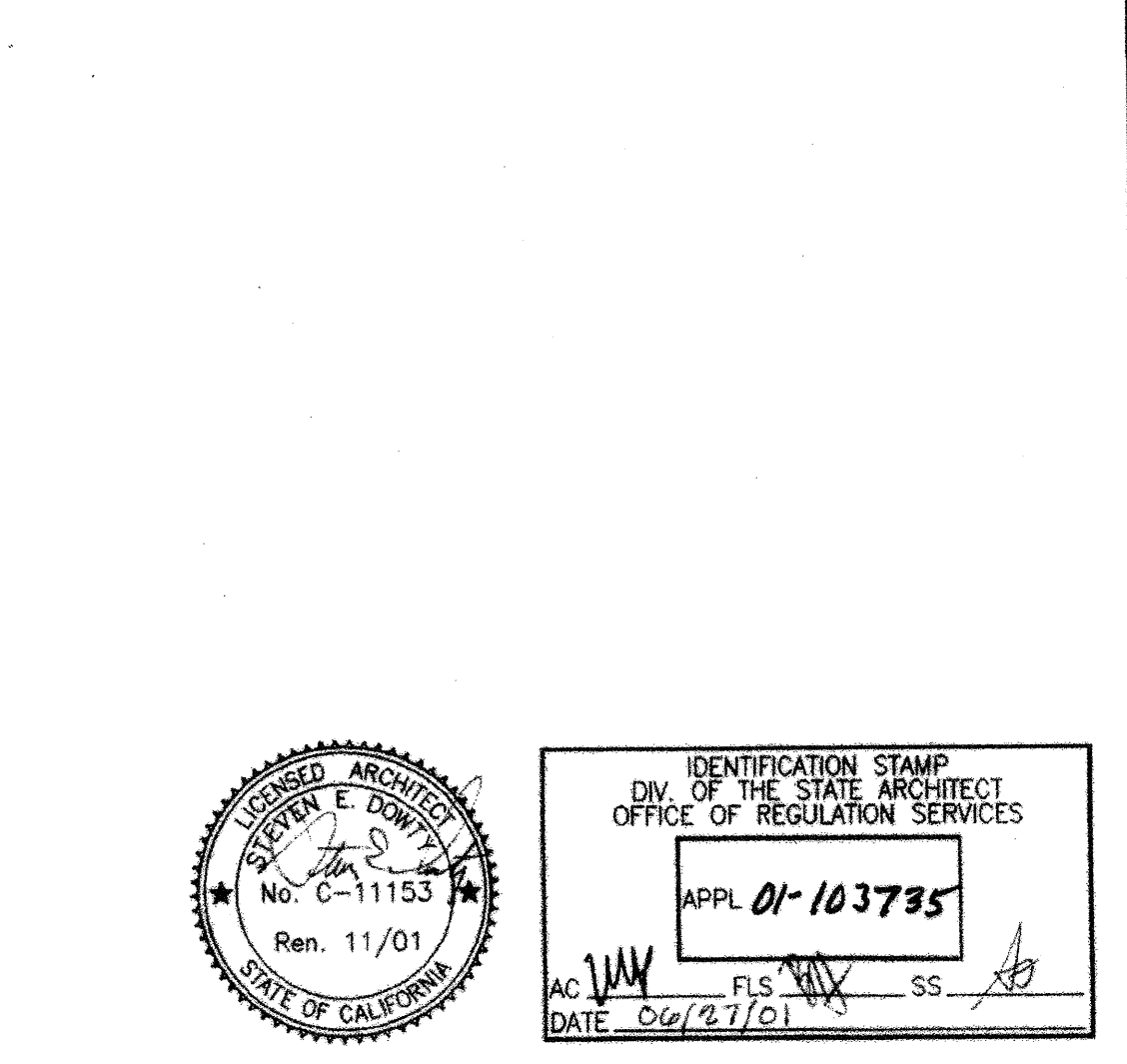
8 Jamb
SCALE : 3" = 1'-0"



4 TYP. JAMB @ INTERSEC. WALL
SCALE : 3" = 1'-0"



9 Jamb
SCALE : 3" = 1'-0"



4 TYP. JAMB @ INTERSEC. WALL
SCALE : 3" = 1'-0"

KRUGER BENSEN ZIEMER ARCHITECTS, INC.
30 W. ARRELLAGA, RDS/983.1728, SANTA BARBARA, CA 93101

STEVE DOWTY, A.I.A.
PRINCIPAL IN CHARGE

GERALD SHUSTA
PROJECT ARCHITECT

All basic design concepts and plans included or referenced by this drawing are owned by and are the property of Kruger-Bensen-Ziemer. All architects, and well as related, related and unrelated for use in, and in connection with the specified projects. None of such ideas, designs, arrangements or plans shall be used by or disclosed to any person, firm or corporation for any purpose whatsoever without the written permission of Kruger-Bensen-Ziemer.

CENTER FOR ADVANCED LEARNING TECHNOLOGY
SKYLINE COLLEGE
 SAN MATEO COUNTY COMMUNITY COLLEGE DISTRICT
 SAN BRUNO, CALIFORNIA 94066
 3300 COLLEGE DRIVE

NO.	DESCRIPTION	DATE	BY
REVISION			

DRAWN: SMB
 CHECKED: SD
 DATE: 3/21/01
 JOB NO.: 98-03
 SHEET TITLE: DOOR AND FRAME DETAILS
 SHEET: A 9.5
 OF 21

IDENTIFICATION STAMP
 DIV. OF THE STATE ARCHITECT
 OFFICE OF REGULATION SERVICES
 APR. 01-103795
 DATE: 06/21/01

J:\vairp01\9803\9803a_5.dwg - P11 10:15:43:38 2001