

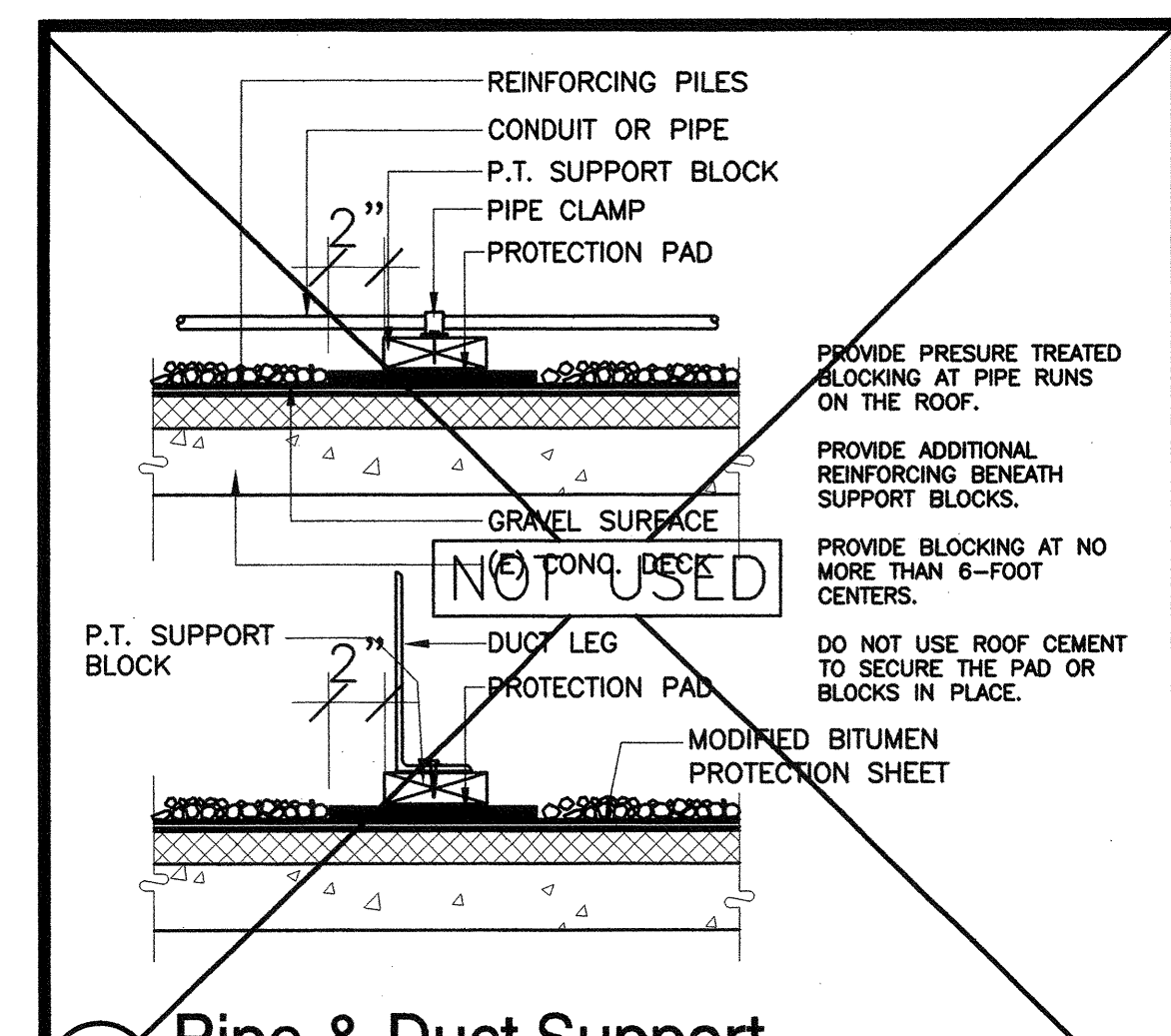
KRUGGER BENSEN ZIEMER ARCHITECTS, INC. AIA
30 W. ARRELLAGA SANTA BARBARA, CA 93101
855/963-1726

STEVE DOWTY, A.I.A.
PRINCIPAL IN CHARGE

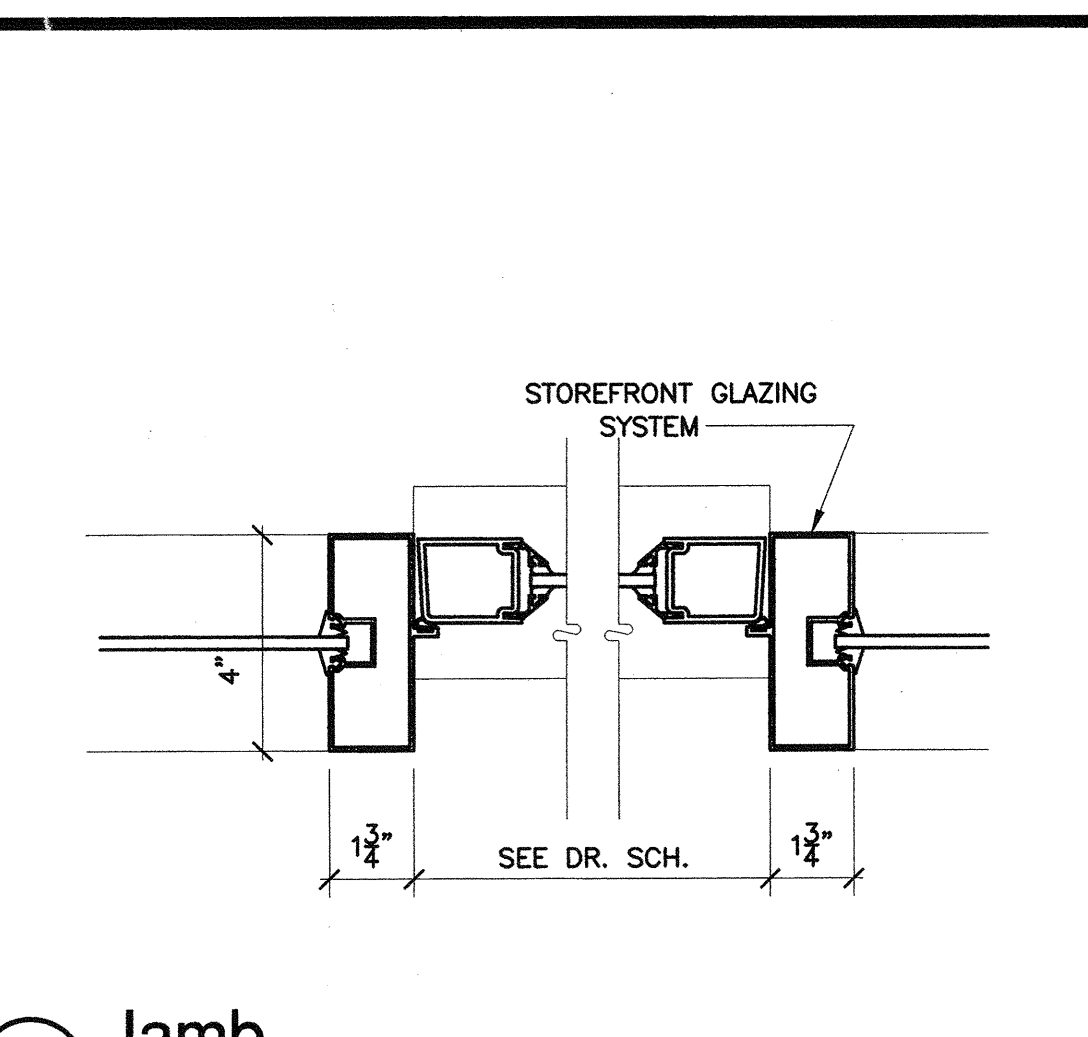
GERALD SHUSTA
PROJECT ARCHITECT

All design, design development and plans included or referenced by this drawing are owned by and are the property of Krugger-Bensen-Ziemer, Inc. Architects, and will remain confidential and proprietary for use in, and in connection with, the specified project. None of such ideas, designs, arrangements or plans shall be used by or disclosed to any person, firm or corporation for any purpose whatsoever without the written permission of Krugger-Bensen-Ziemer.

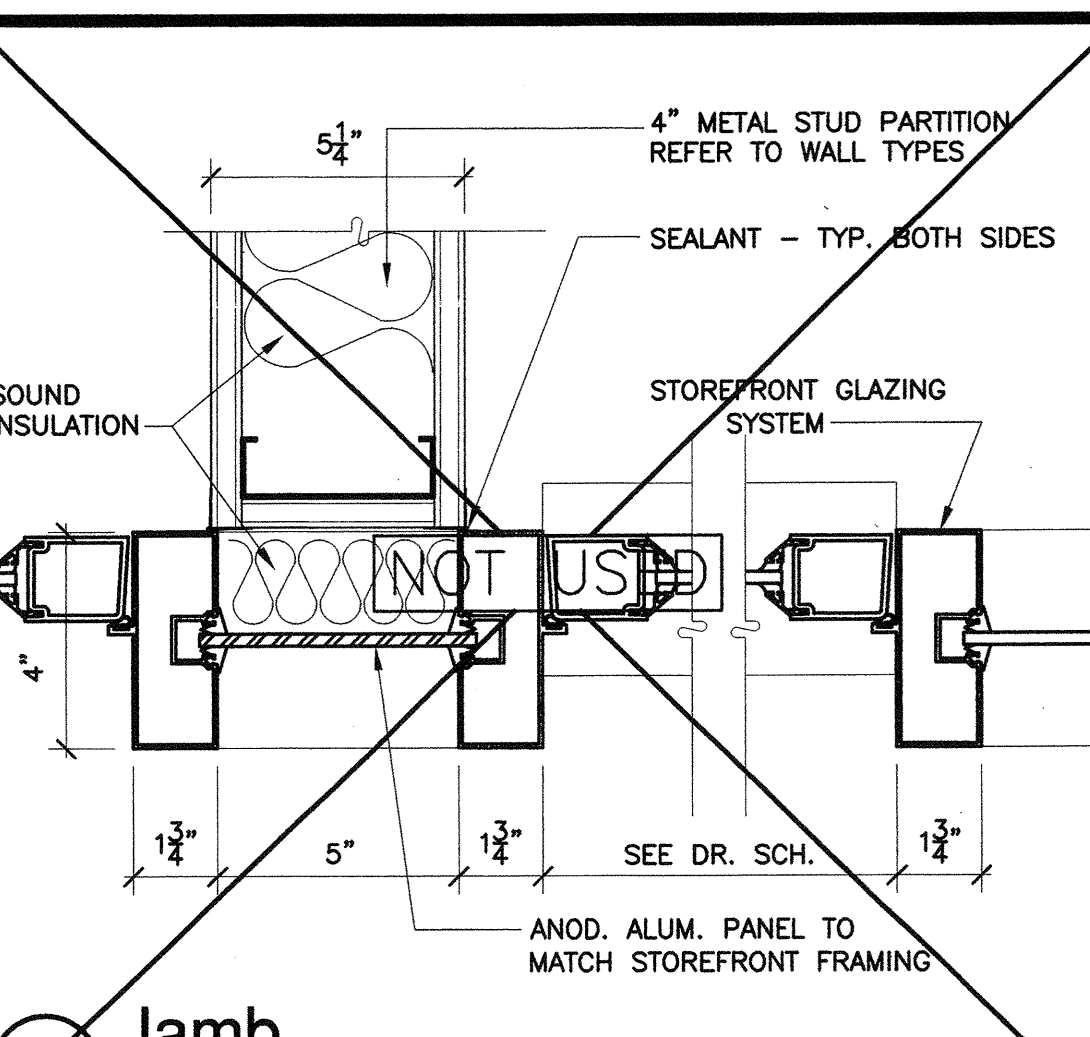
CENTER FOR ADVANCED LEARNING TECHNOLOGY
SKYLINE COLLEGE
SAN MATEO COUNTY COMMUNITY COLLEGE DISTRICT
SAN BRUNO, CALIFORNIA 94066
3300 COLLEGE DRIVE



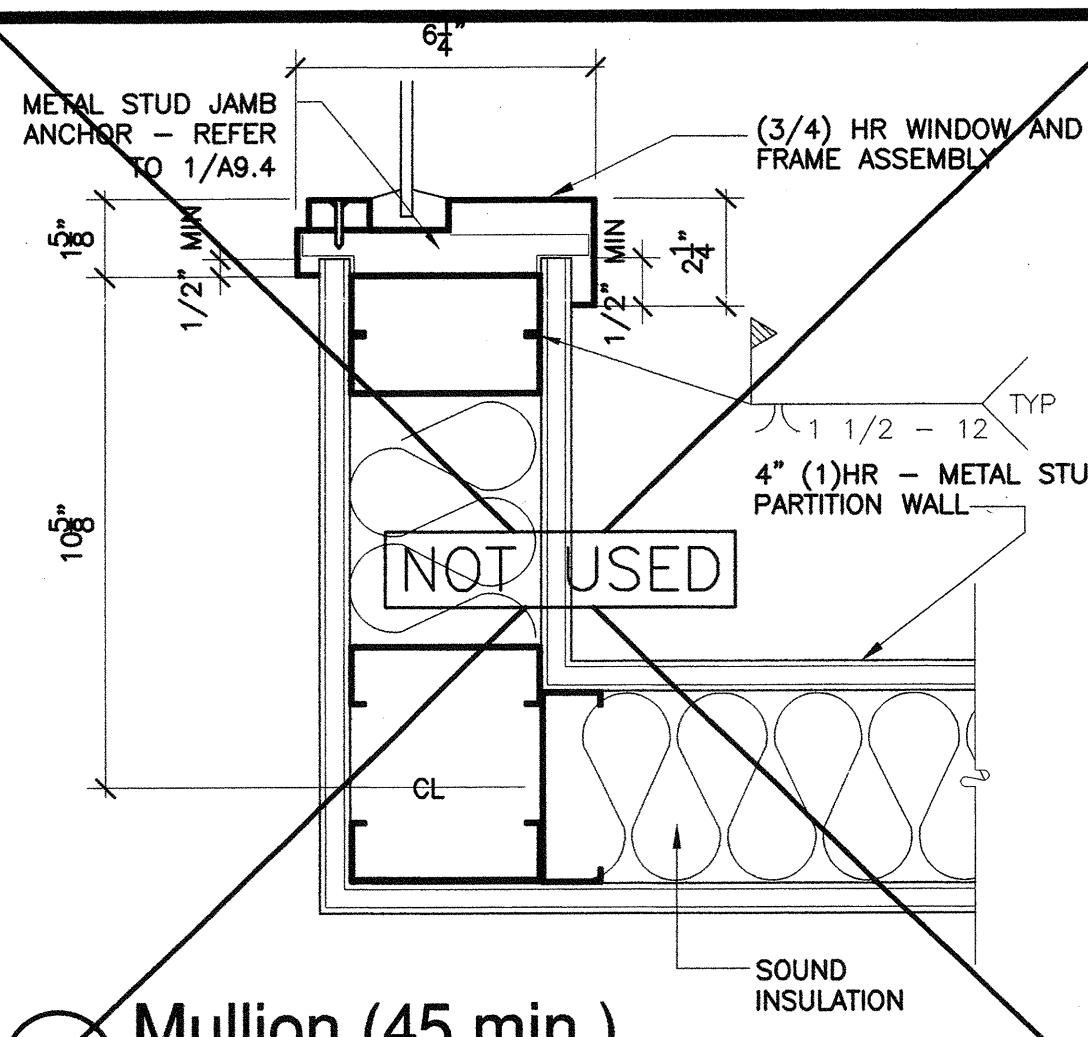
25 Pipe & Duct Support
SCALE: NONE



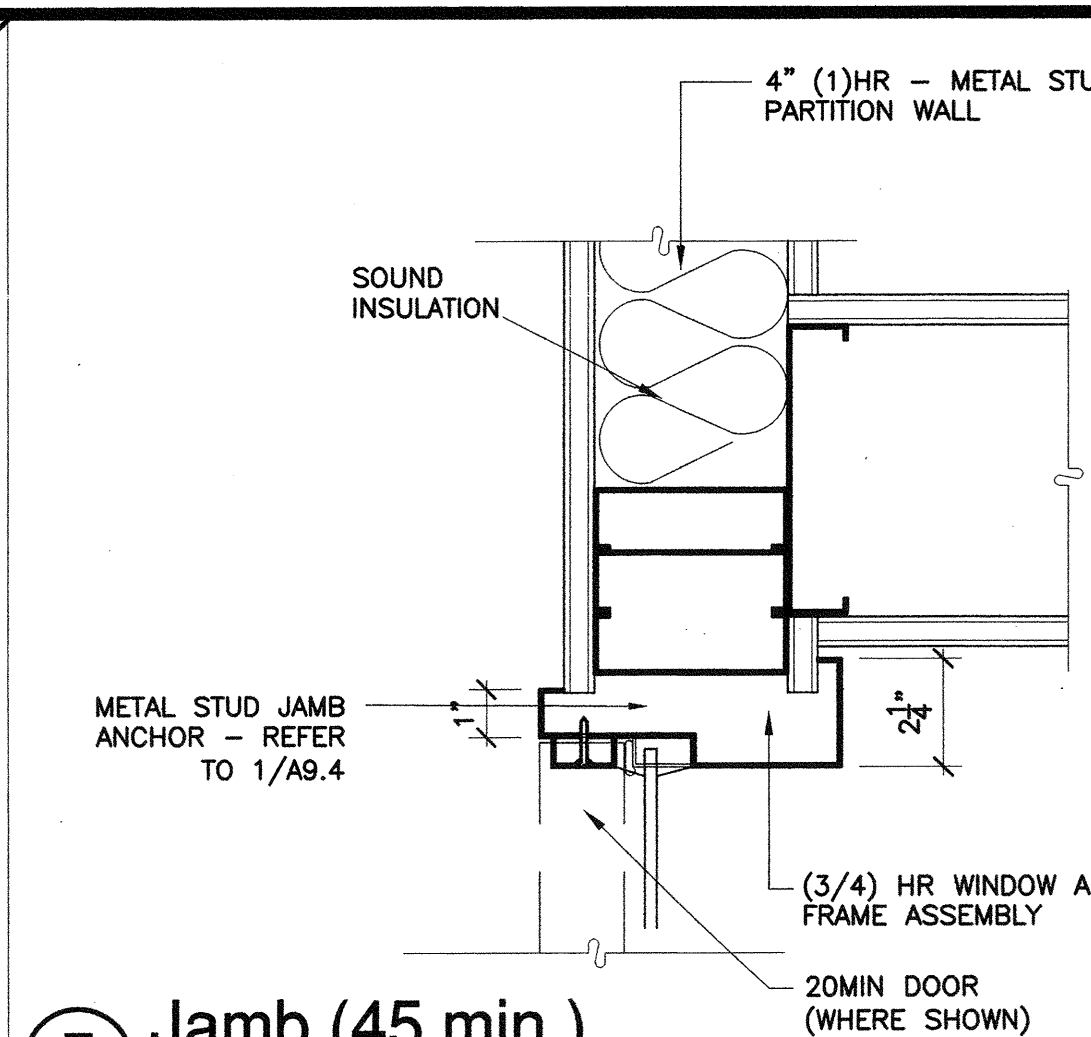
20 Jamb
SCALE: 3/8"=1'-0"



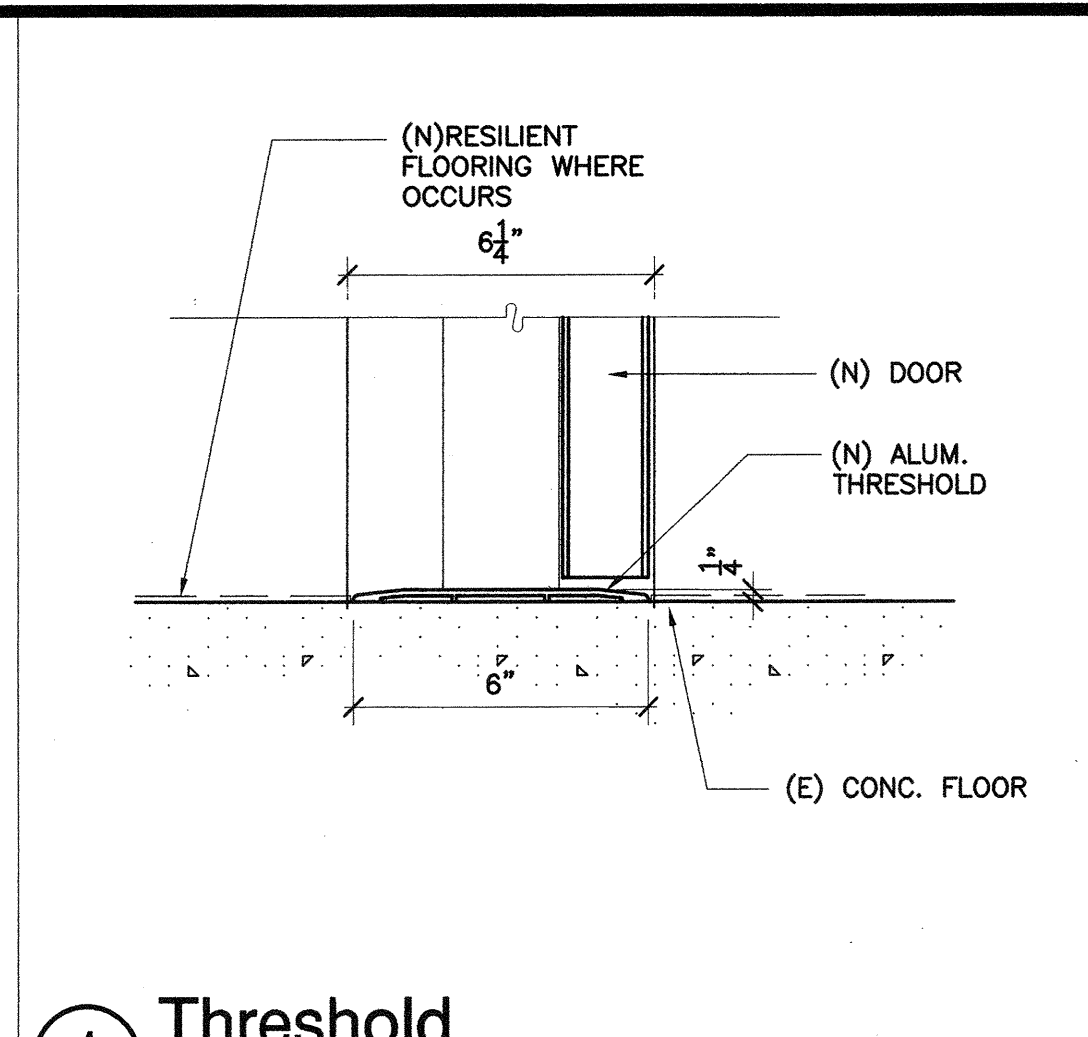
15 Jamb
SCALE: 3/8"=1'-0"



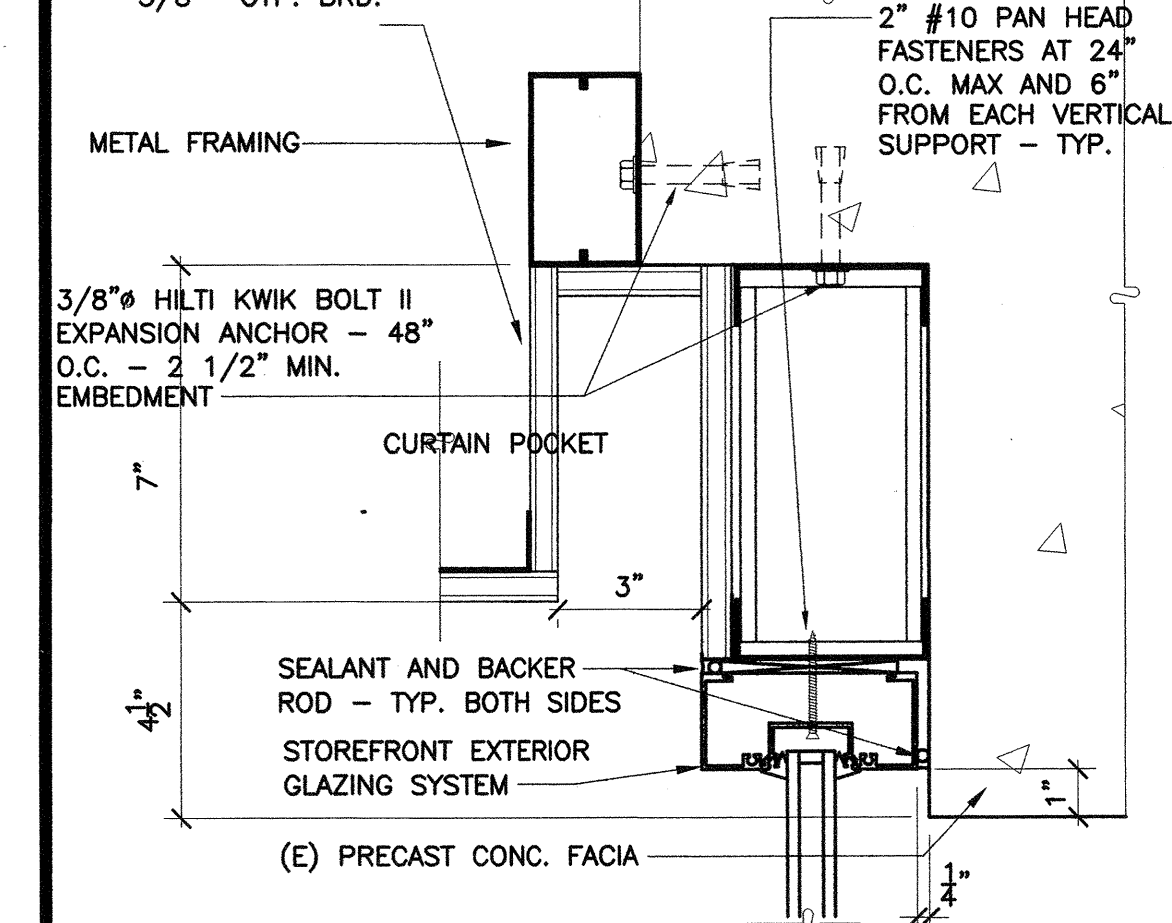
10 Mullion (45 min.)
SCALE: 3/8"=1'-0"



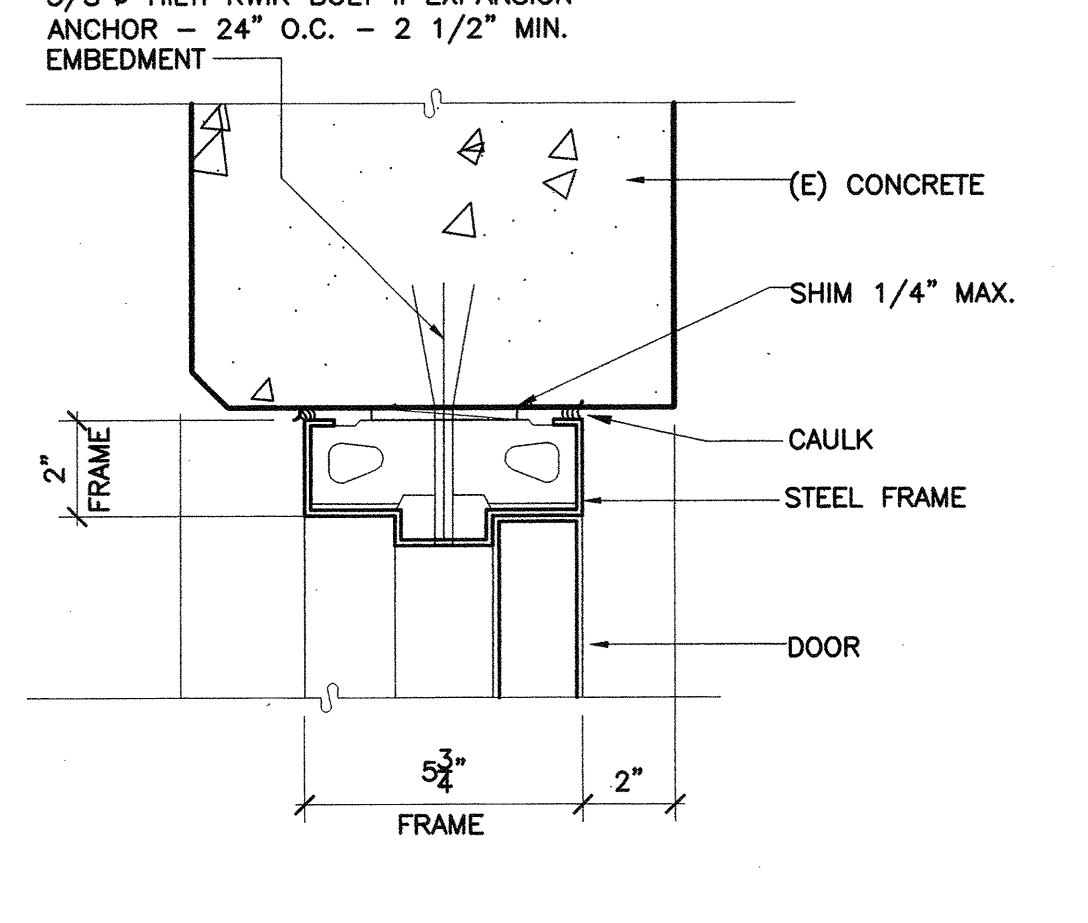
5 Jamb (45 min.)
SCALE: 3/8"=1'-0"



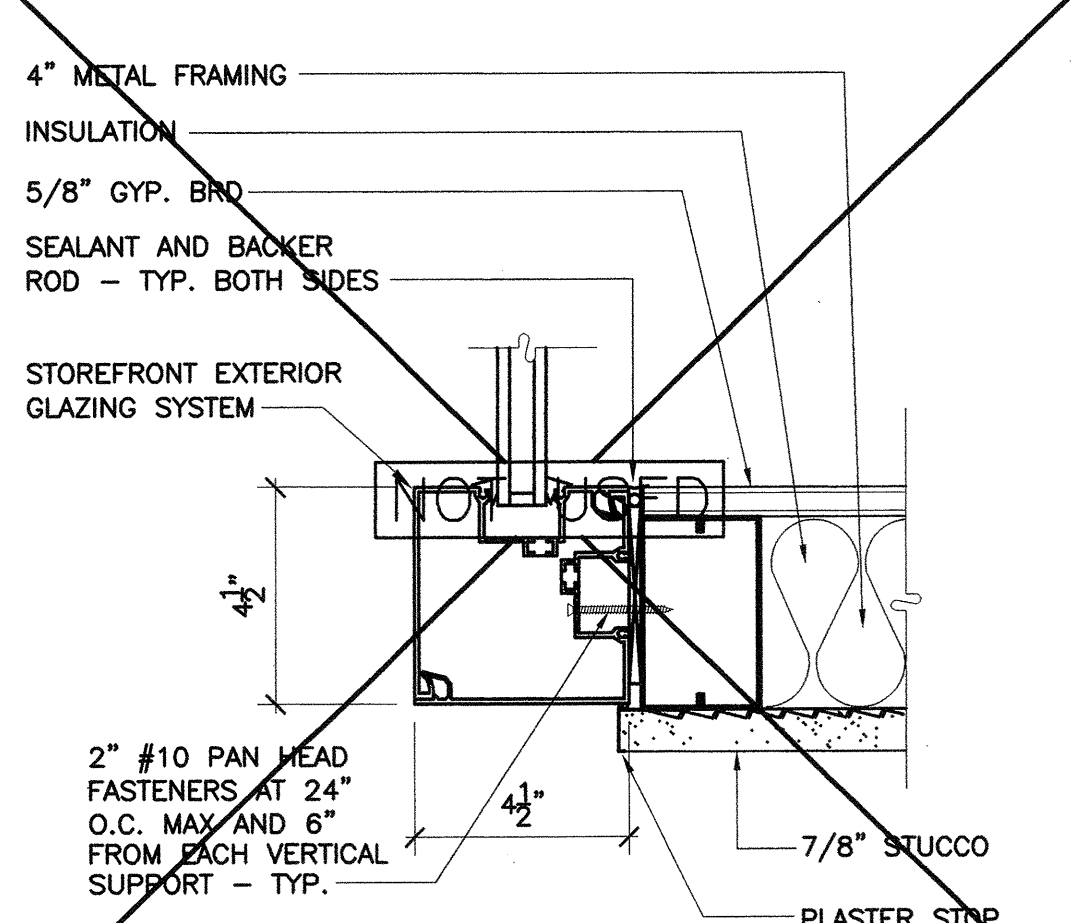
1 Threshold
SCALE: 3/8"=1'-0"



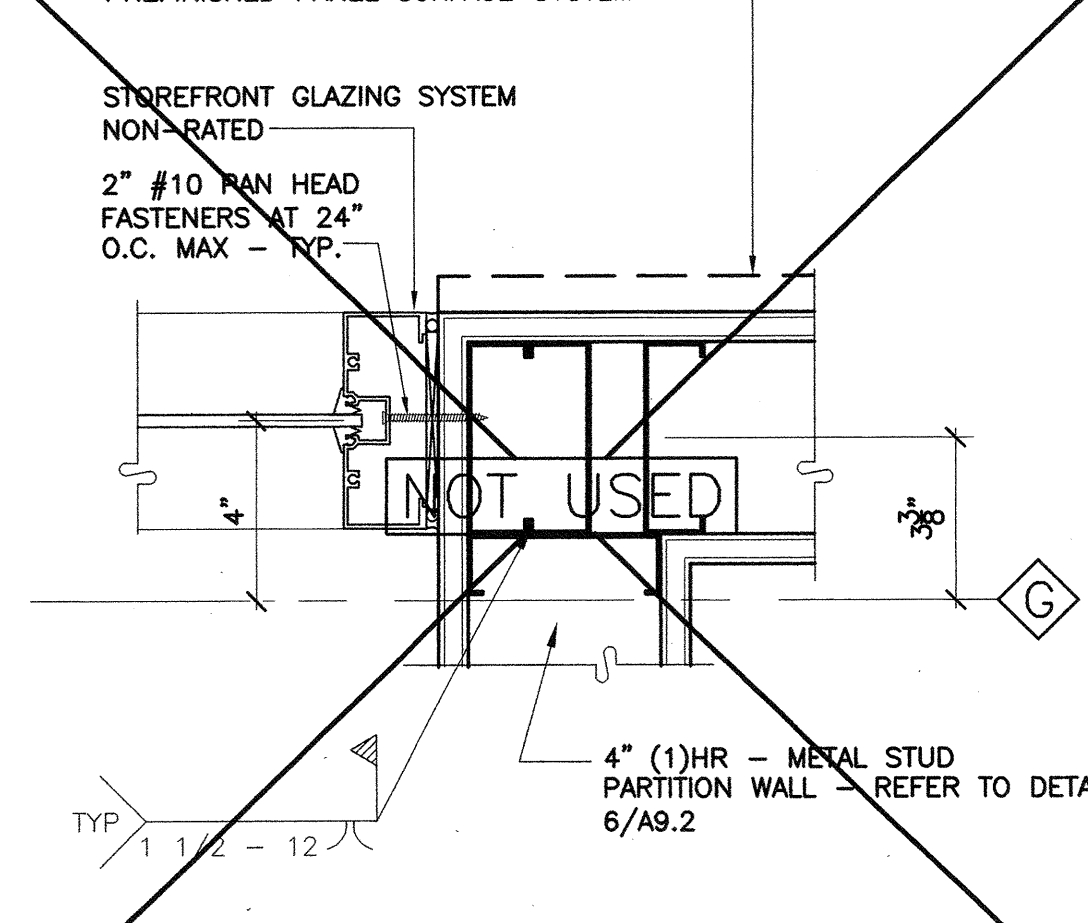
26 Head
SCALE: 3/8"=1'-0"



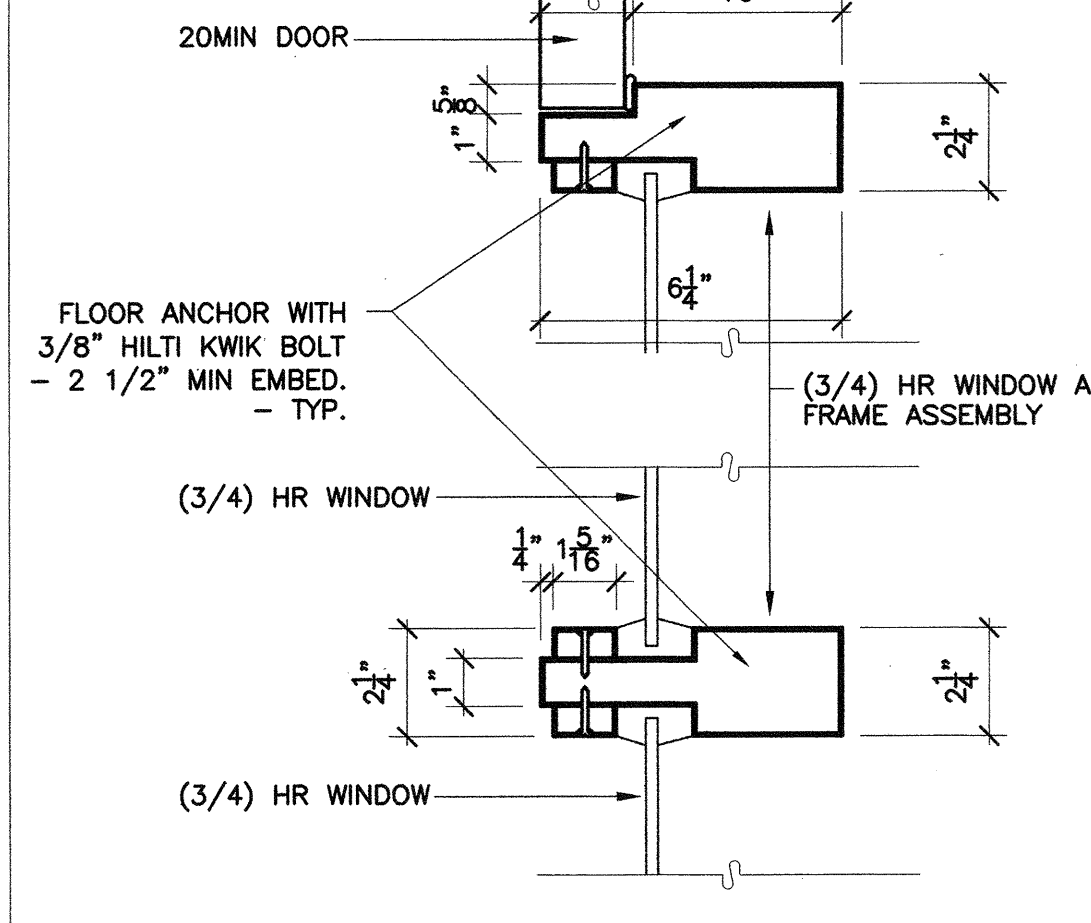
21 HEAD/JAMB
SCALE: 3/8"=1'-0"



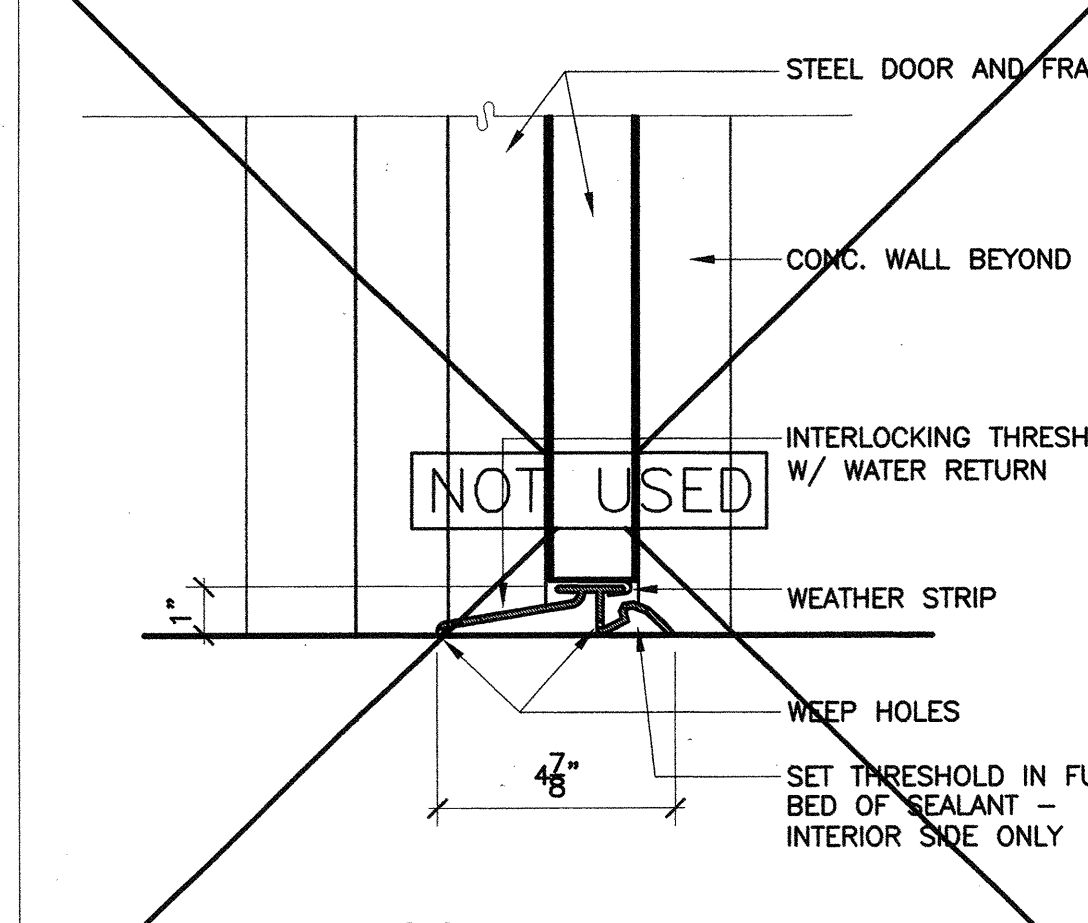
16 Jamb @ Corner
SCALE: 3/8"=1'-0"



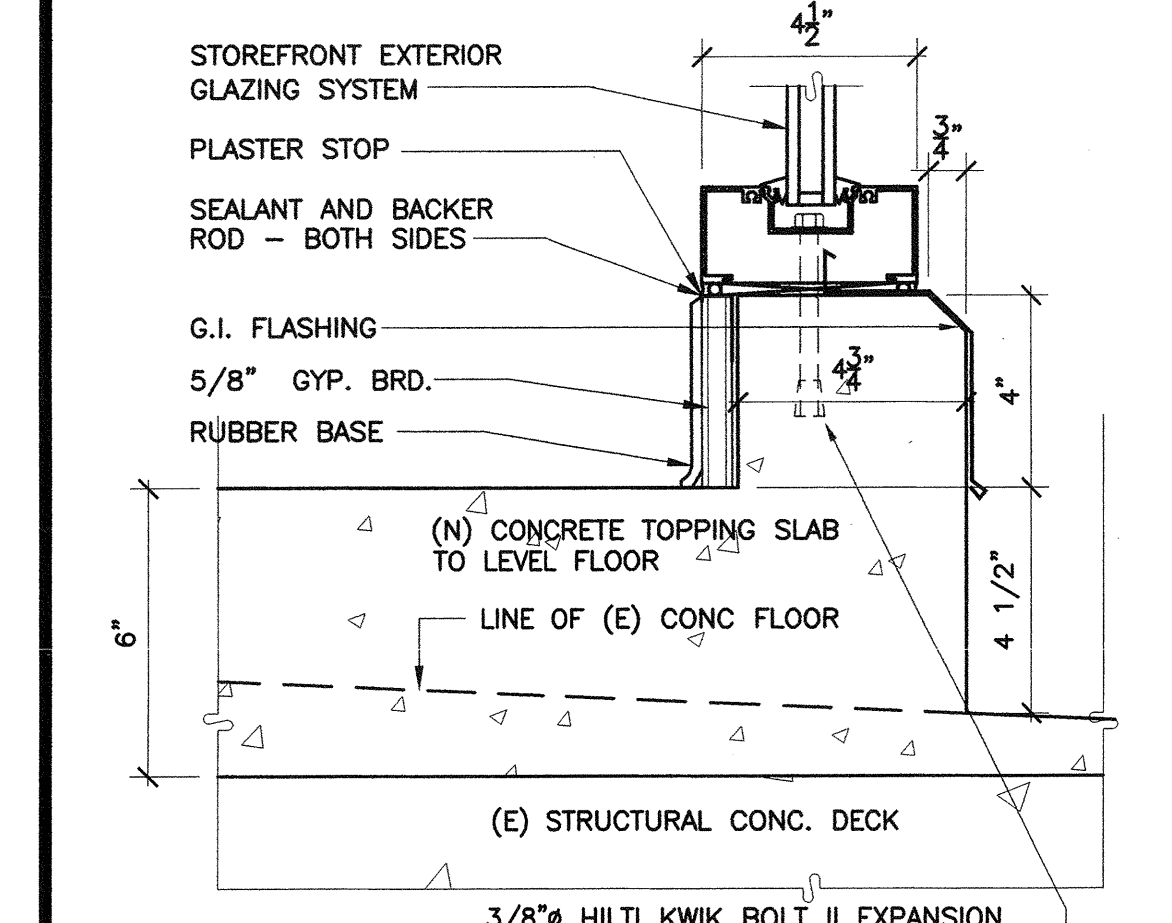
11 Jamb
SCALE: 3/8"=1'-0"



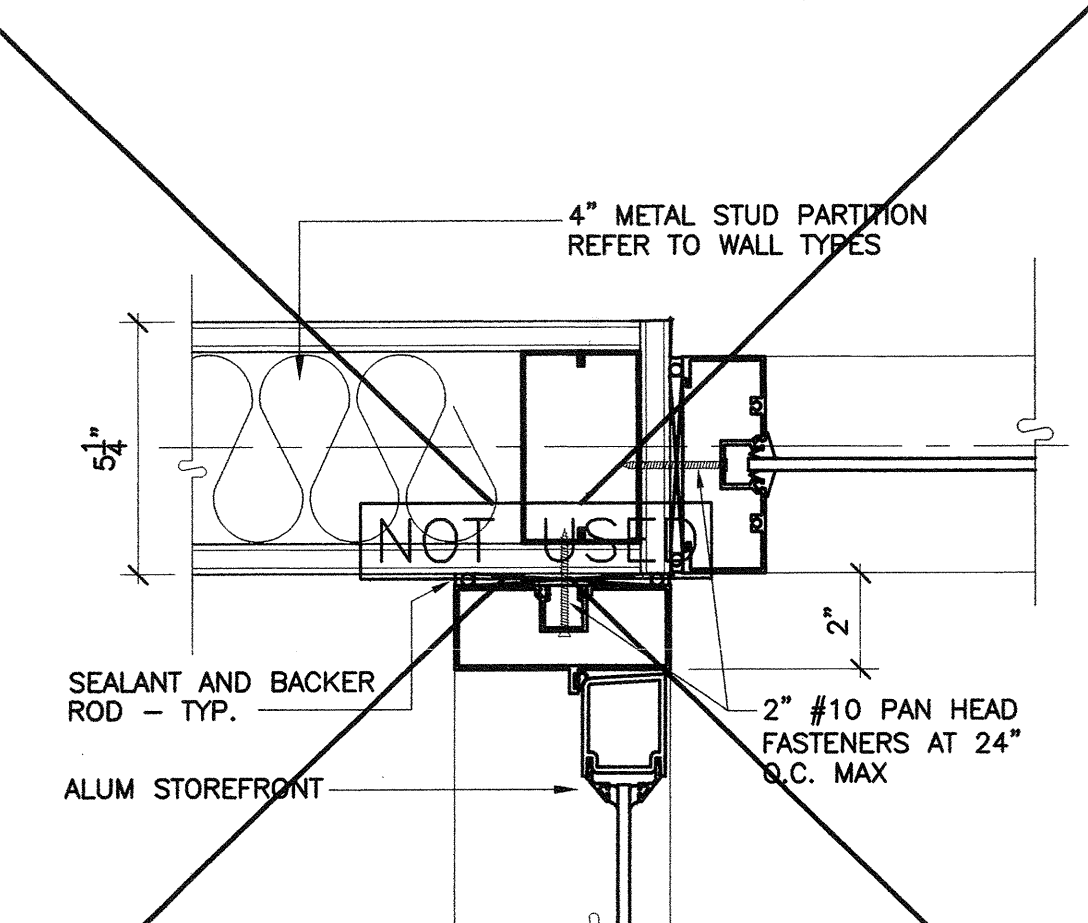
6 Mullion (45 min.)
SCALE: 3/8"=1'-0"



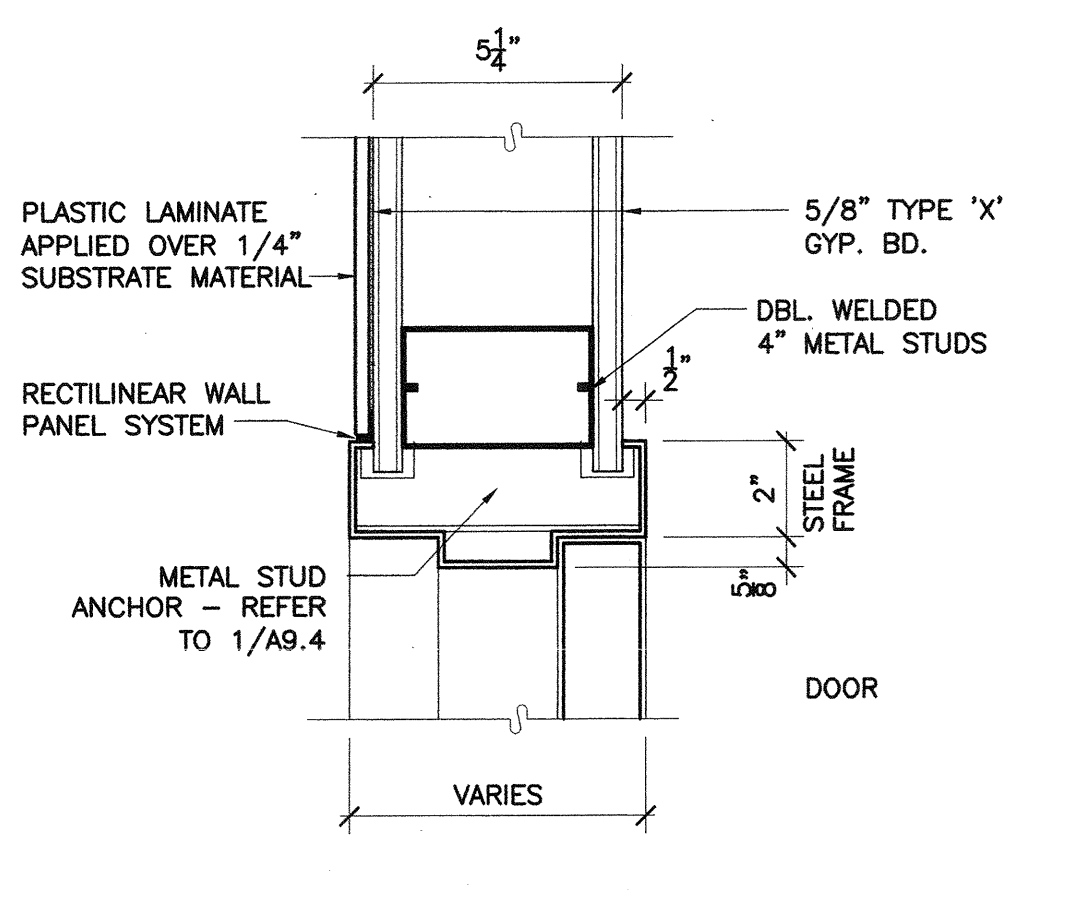
2 Threshold
SCALE: 3/8"=1'-0"



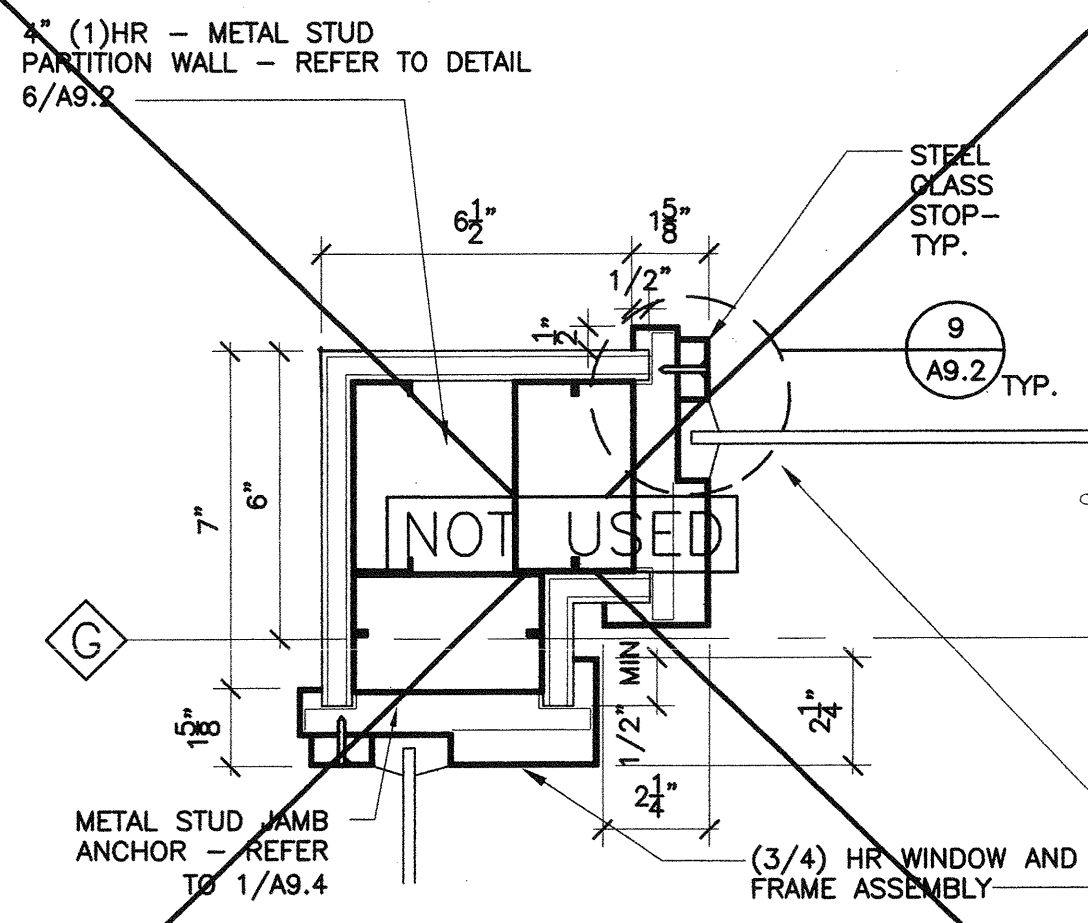
27 Sill
SCALE: 3/8"=1'-0"



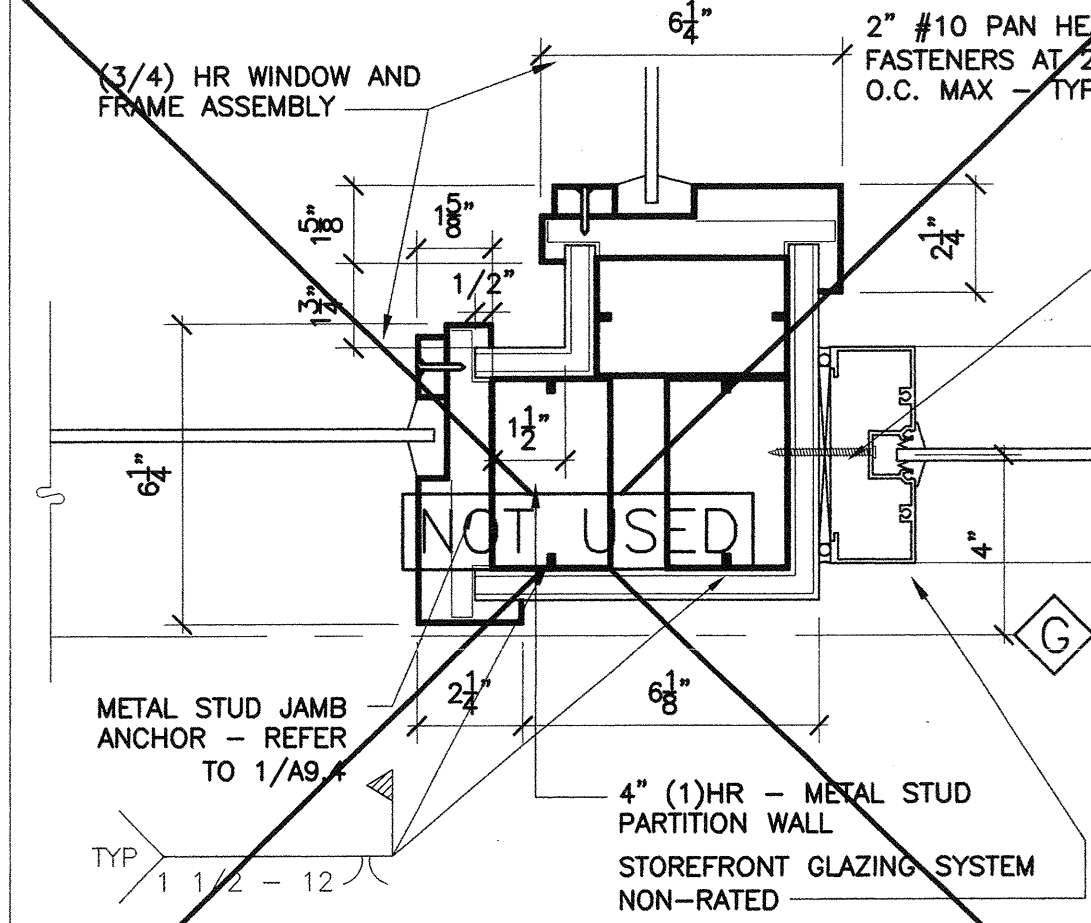
22 Jamb
SCALE: 3/8"=1'-0"



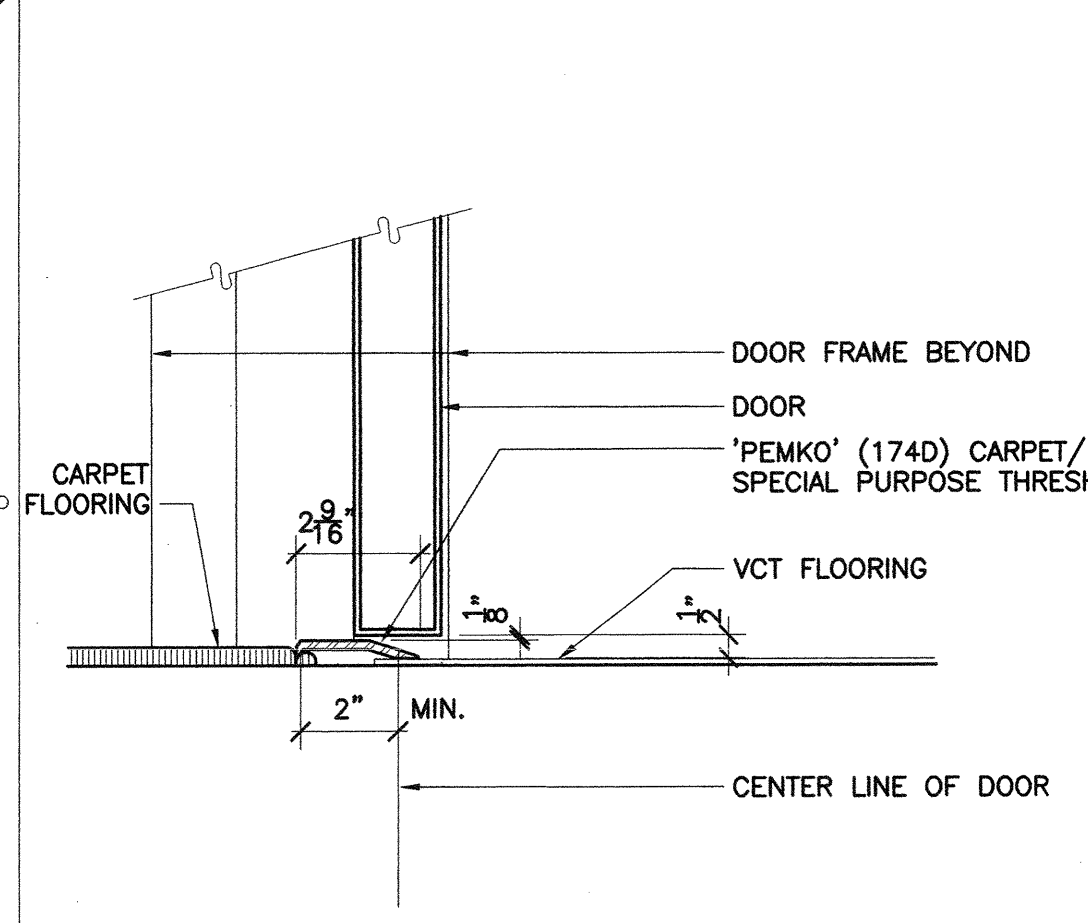
17 Head / Jamb
SCALE: 3/8"=1'-0"



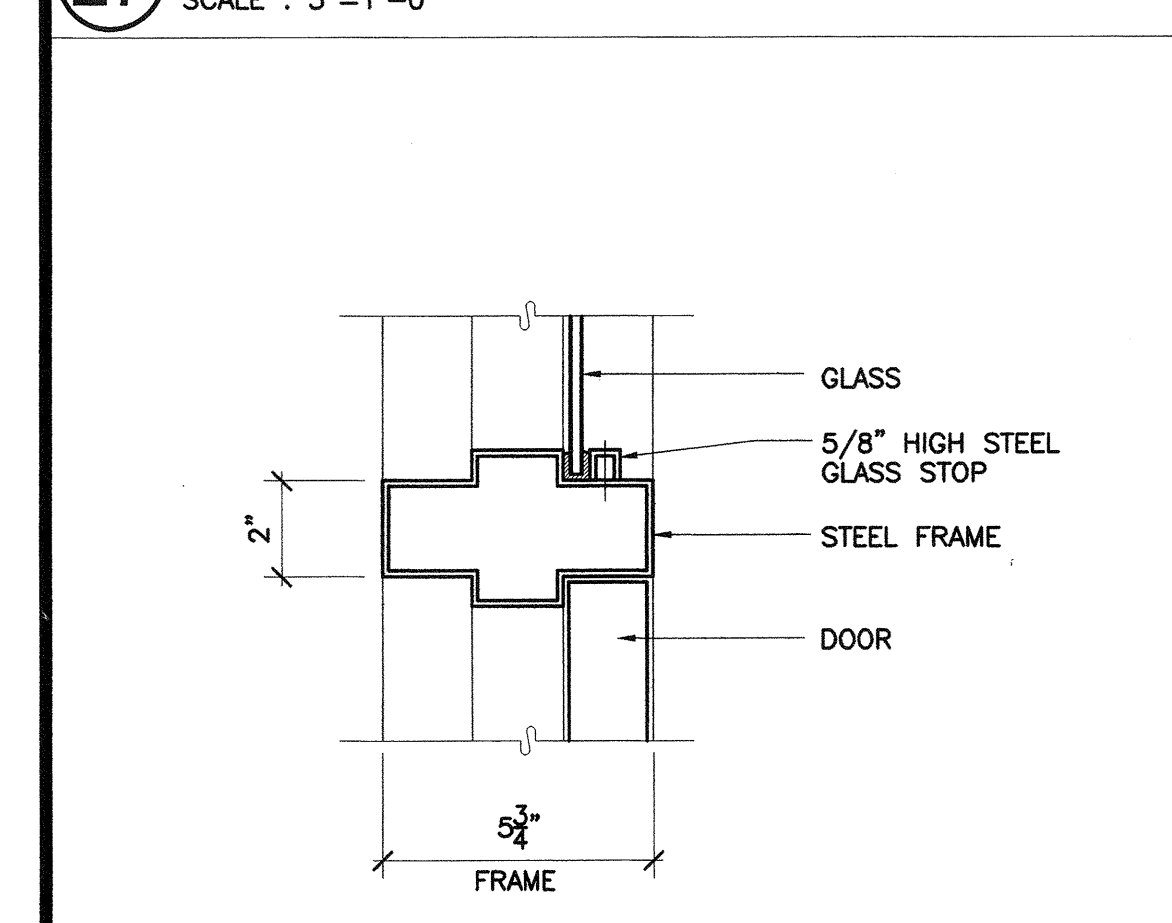
12 Jamb @ Corner (45 min.)
SCALE: 3/8"=1'-0"



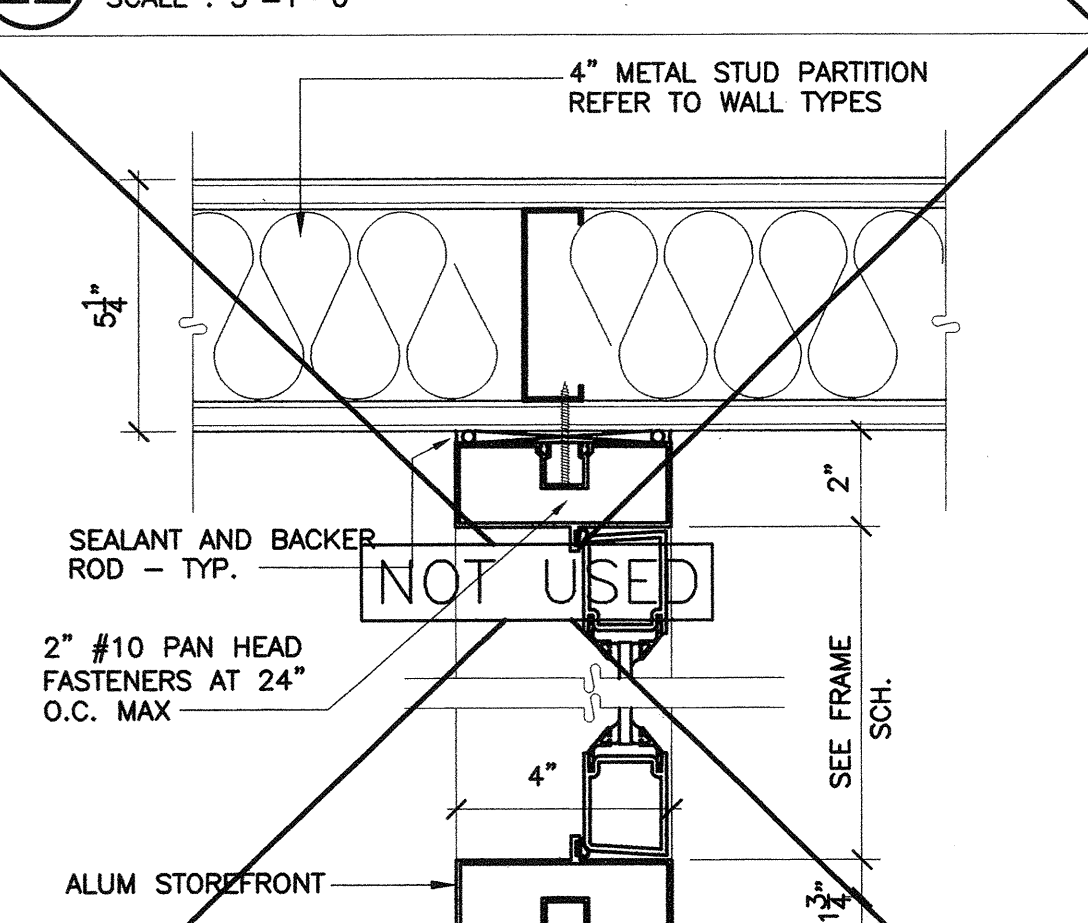
7 Jamb @ Corner (45 min.)
SCALE: 3/8"=1'-0"



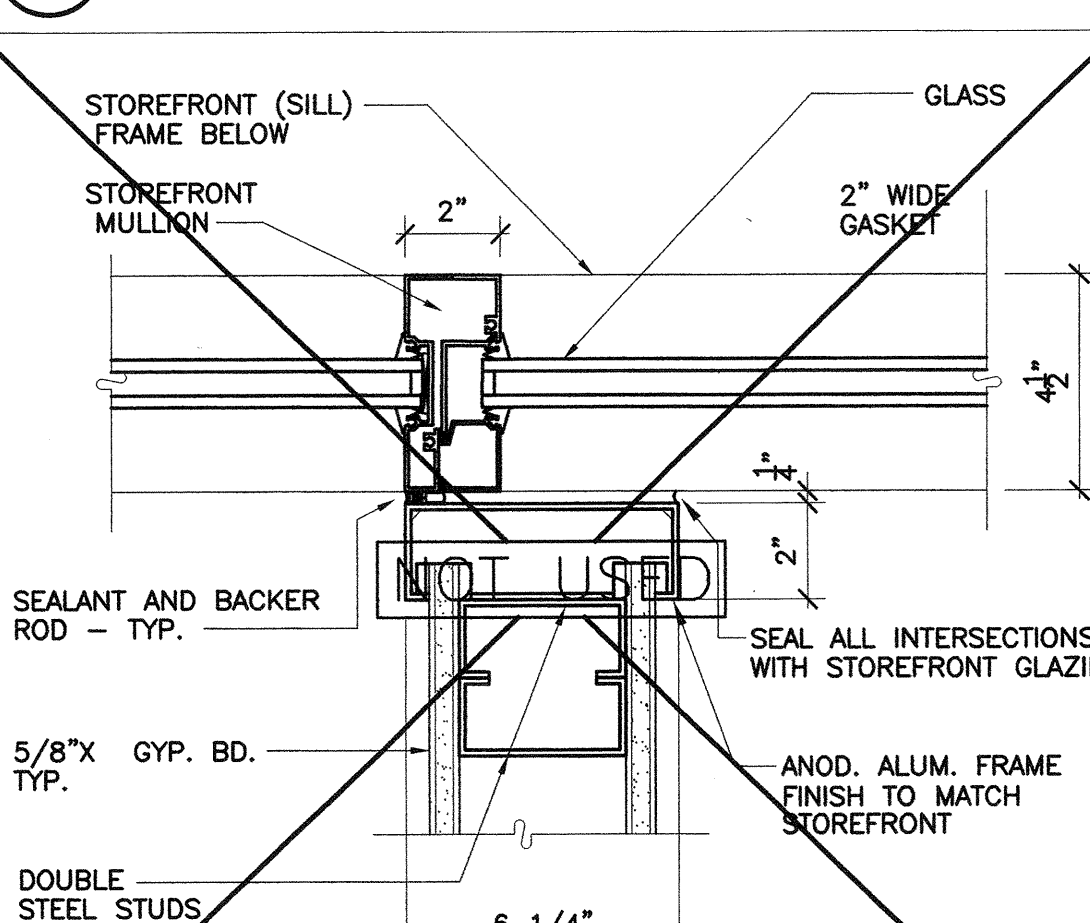
3 Threshold (20 & 60 min.)
SCALE: 3/8"=1'-0"



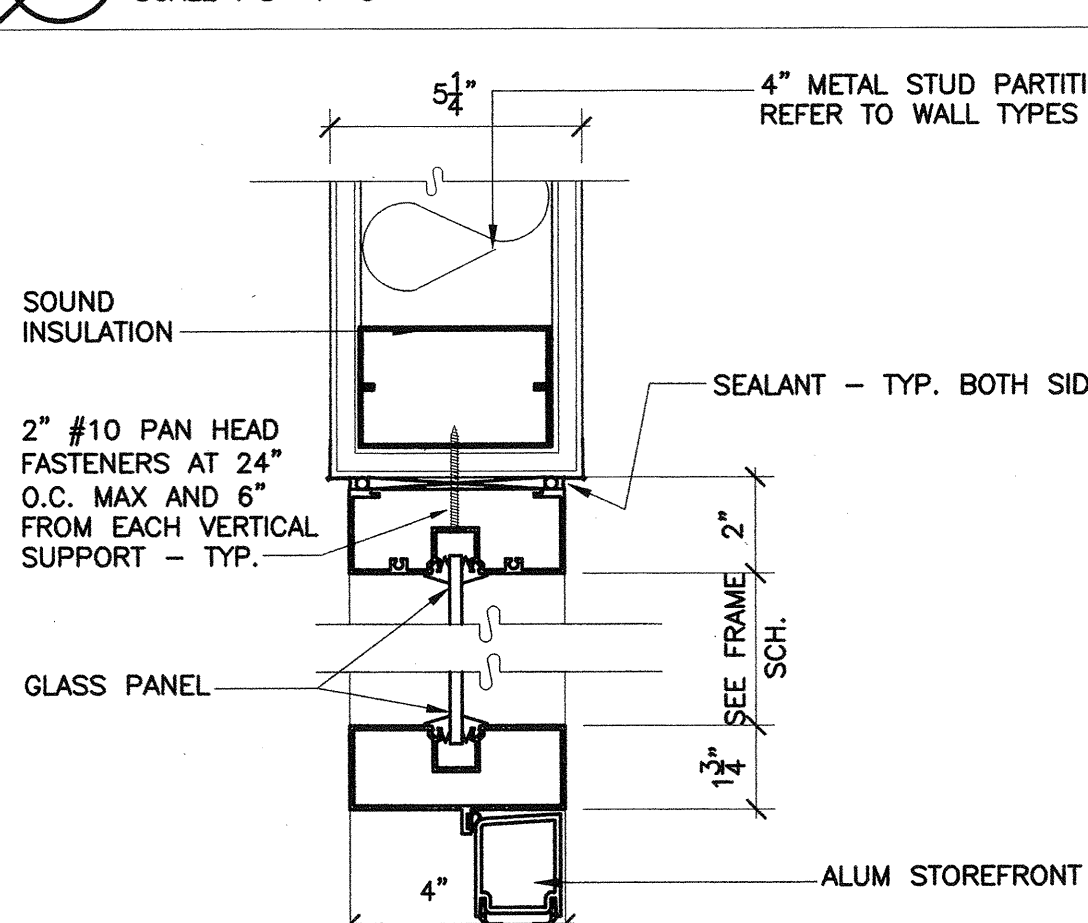
28 Head / Transom Rail
SCALE: 3/8"=1'-0"



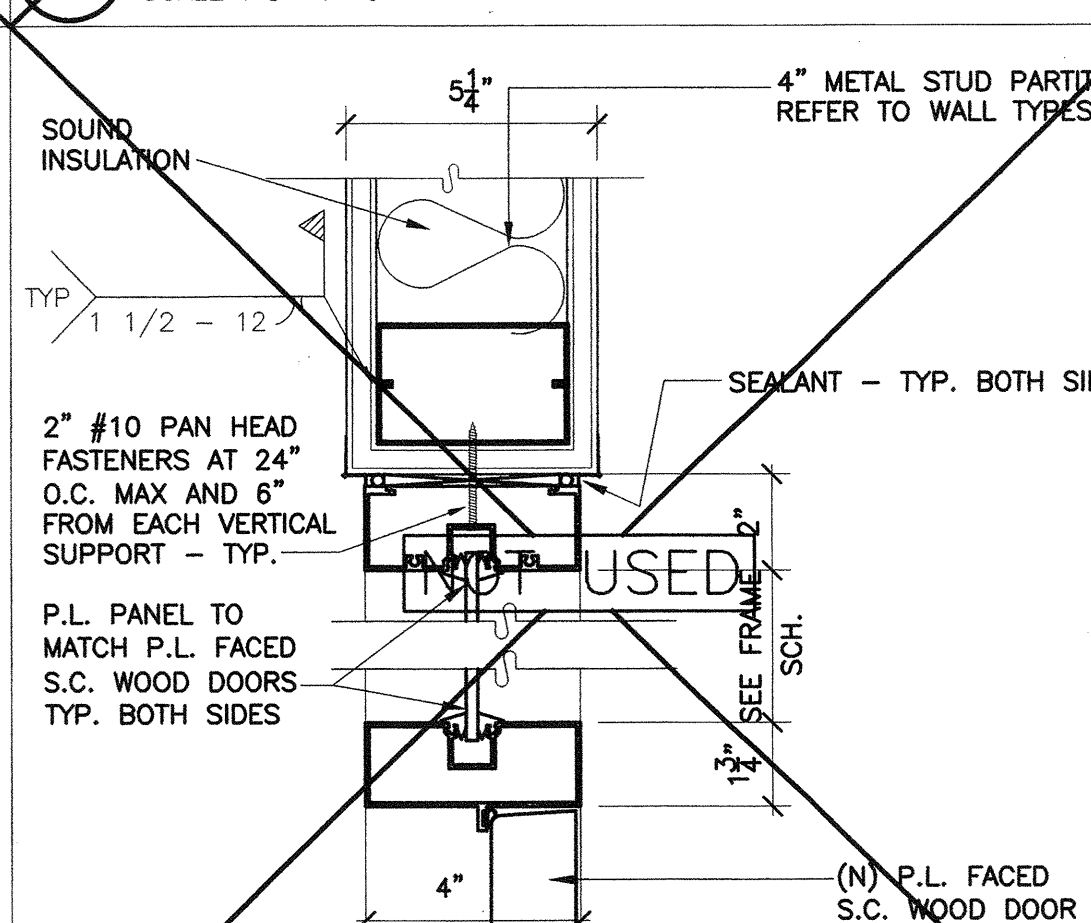
23 Wall Intersect w/ Glass
SCALE: 3/8"=1'-0"



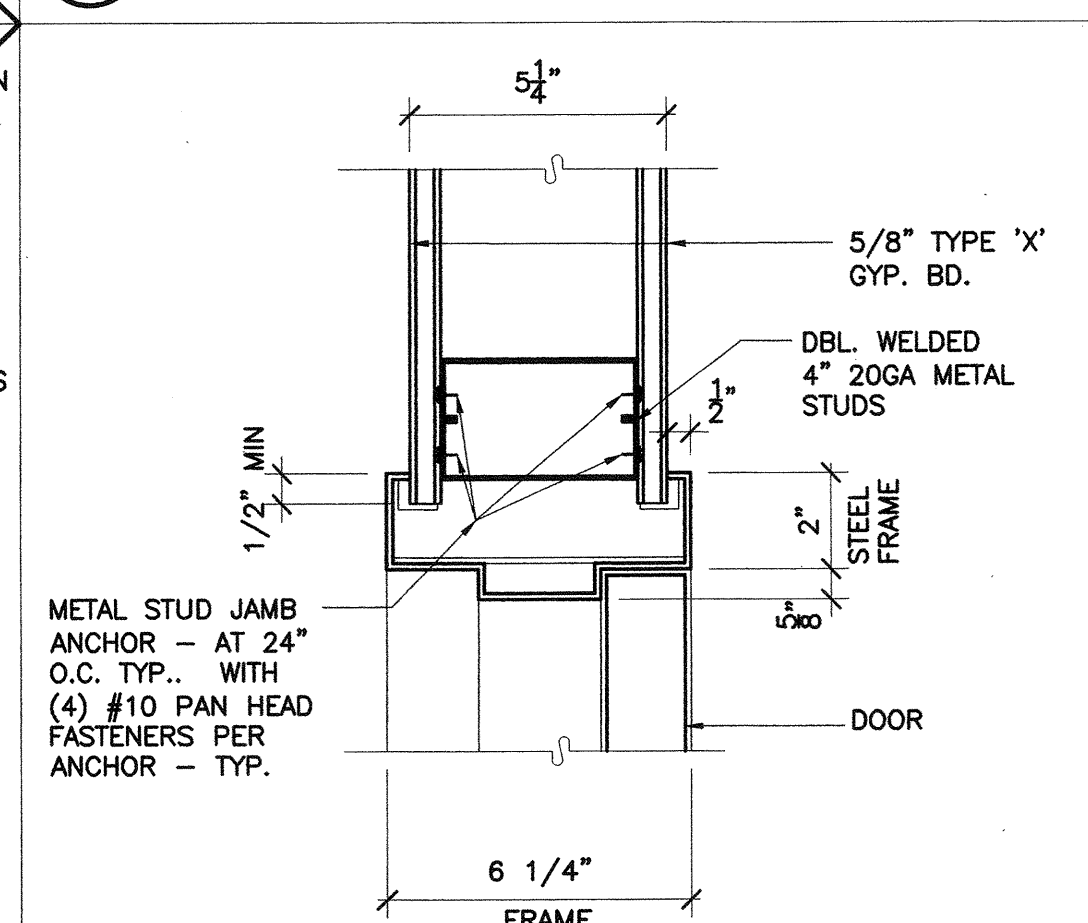
18 Wall Intersect w/ Glass
SCALE: 3/8"=1'-0"



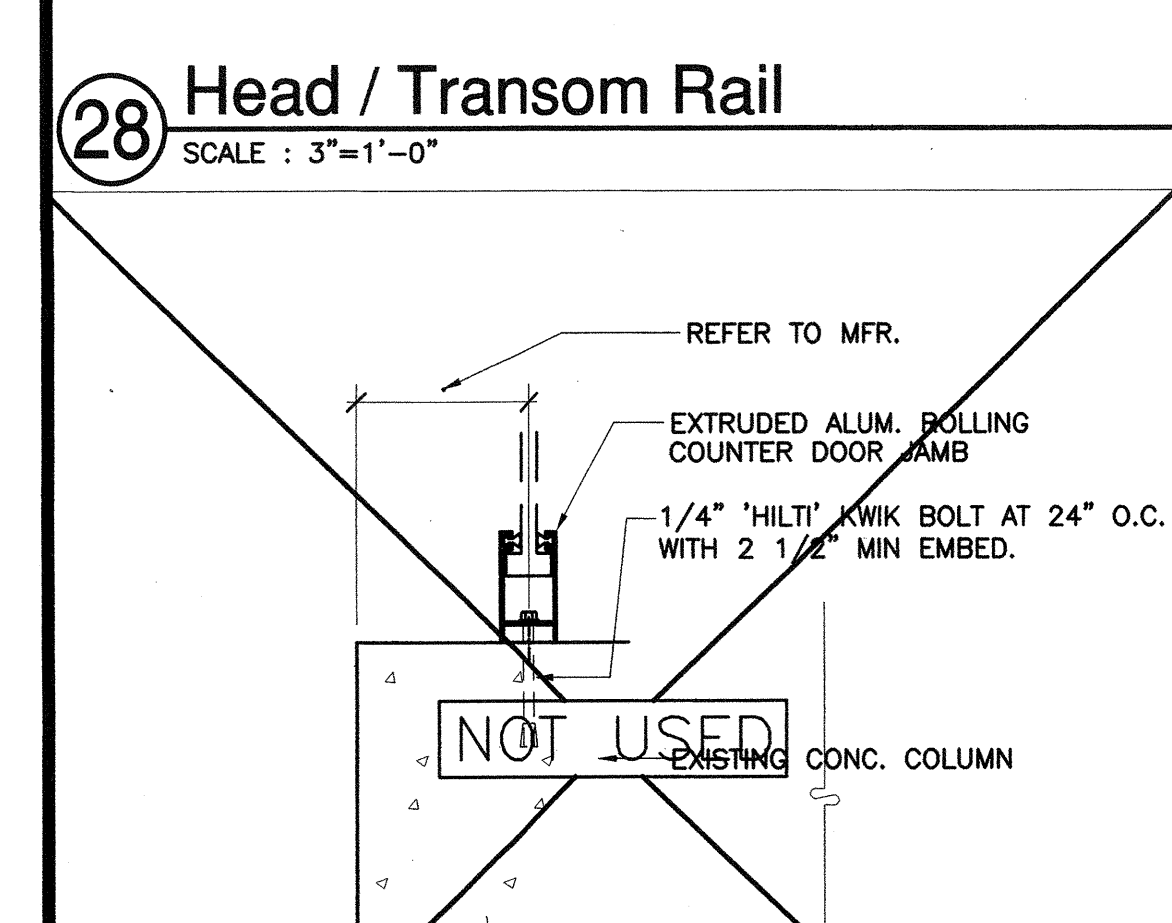
13 Head
SCALE: 3/8"=1'-0"



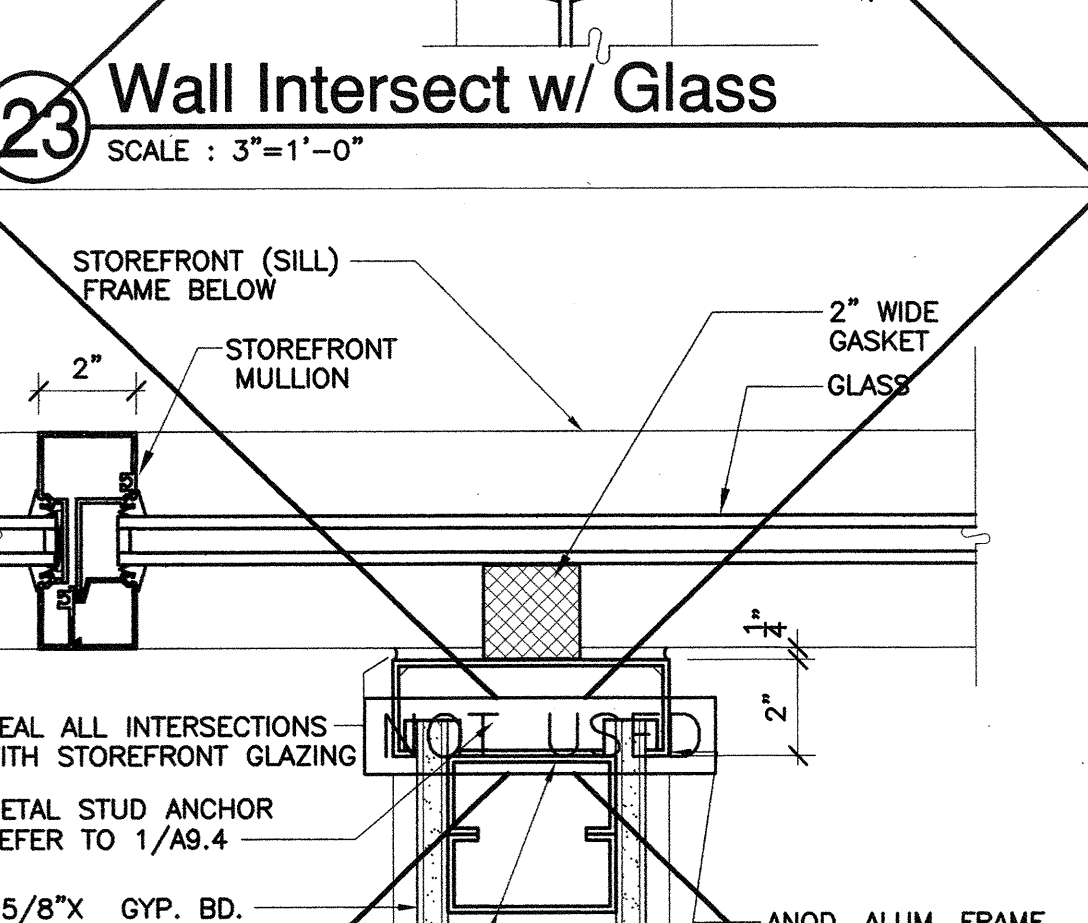
8 Head / Jamb
SCALE: 3/8"=1'-0"



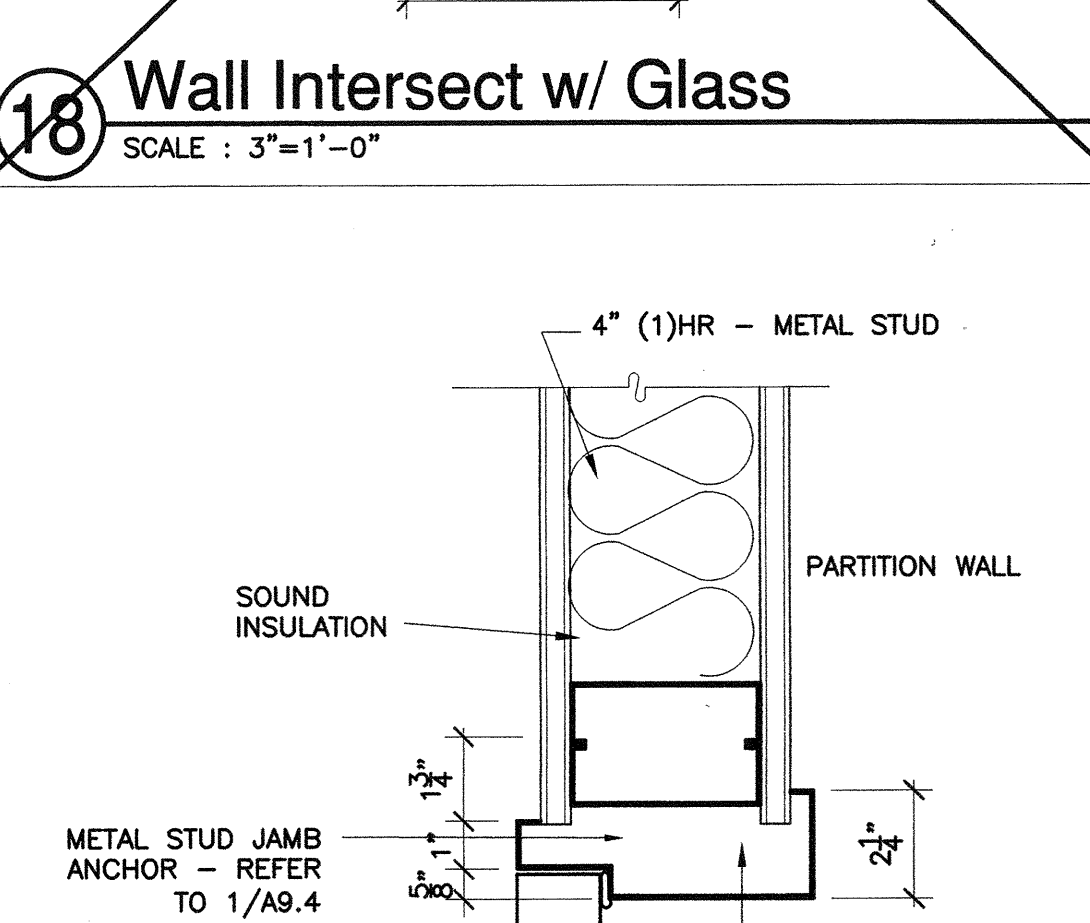
4 Head / Jamb (20 & 60 min.)
SCALE: 3/8"=1'-0"



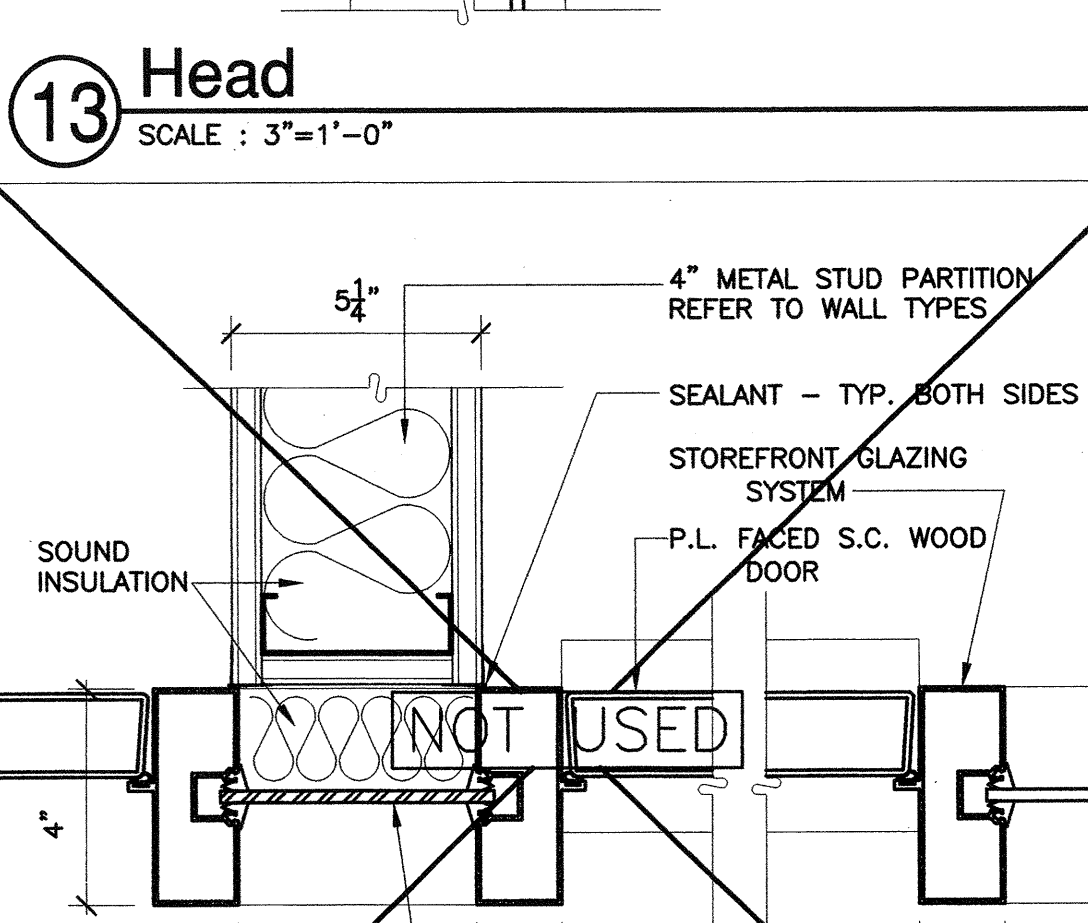
29 JAMB
SCALE: 3/8"=1'-0"



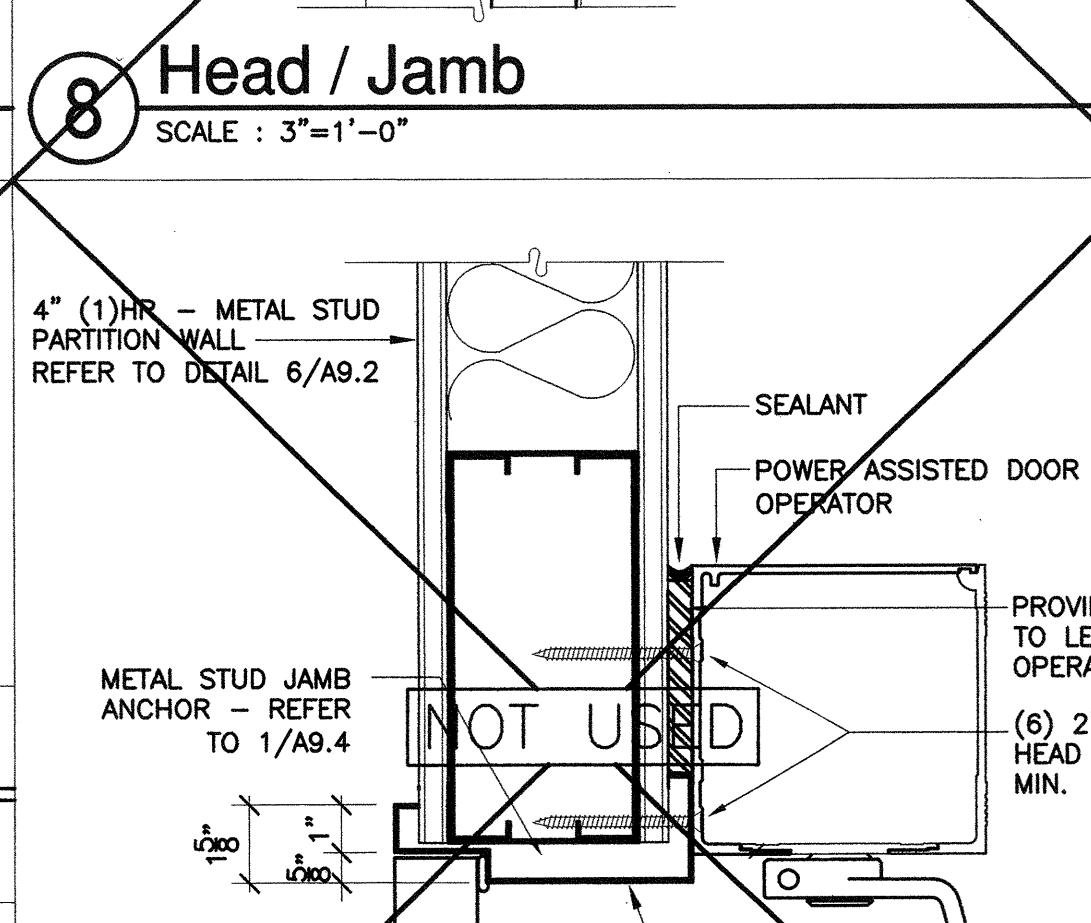
24 Wall Intersect w/ Glass
SCALE: 3/8"=1'-0"



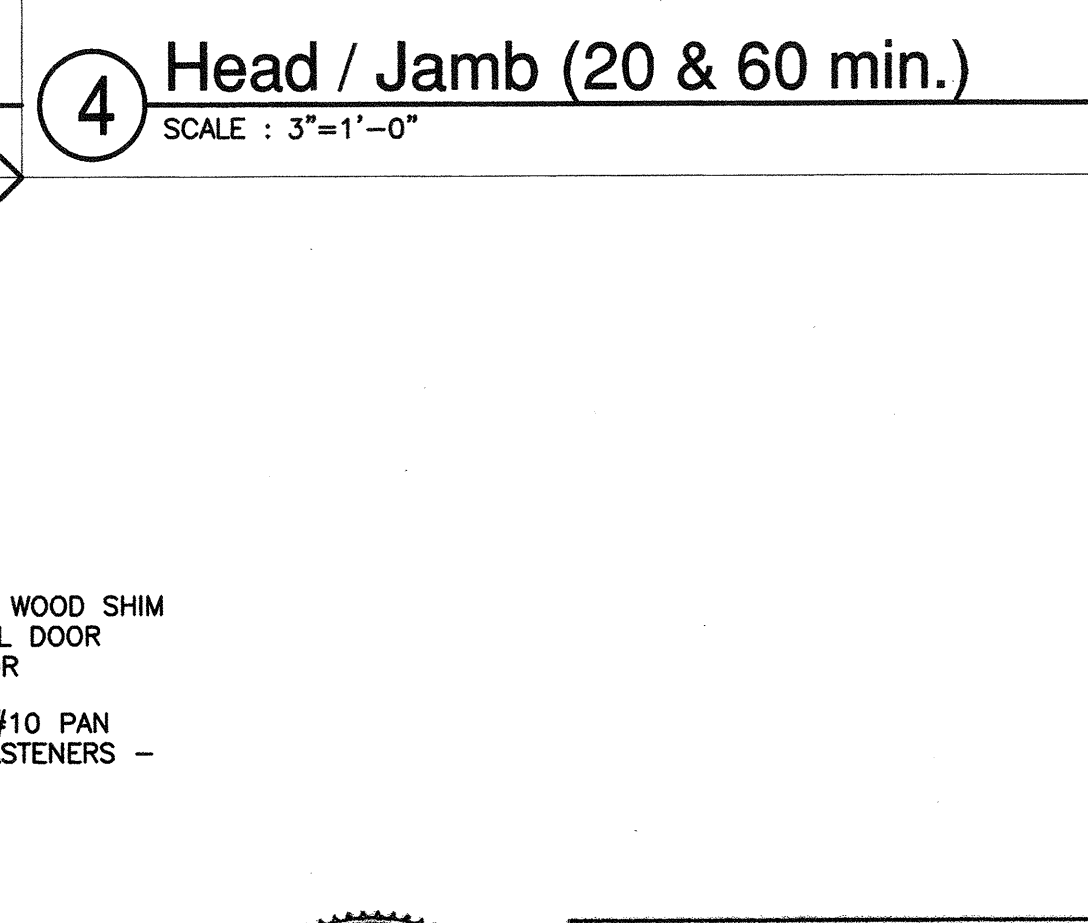
19 TYP. STEEL HEAD/JAMB
SCALE: 3/8"=1'-0"



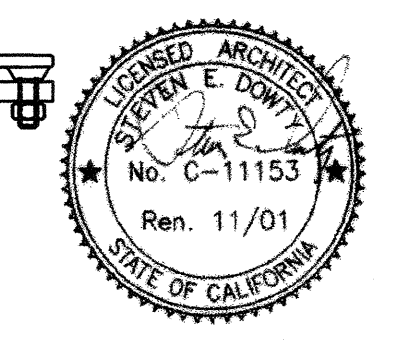
14 Jamb
SCALE: 3/8"=1'-0"



9 Head (45 min.)
SCALE: 3/8"=1'-0"



1 Threshold (20 & 60 min.)
SCALE: 3/8"=1'-0"



IDENTIFICATION STAMP
DIV. OF THE STATE ARCHITECT
OFFICE OF REGULATION SERVICES
APPL 01-103735
DATE 06/21/01

NO.	DESCRIPTION	DATE	BY

DRAWN	LJL
CHECKED	SD
DATE	3/21/01
JOB NO.	98-03
SHEET TITLE	DOOR AND FRAME DETAILS

SHEET 20
A 9.3
OF 21

J:\Camp\19803\19803_3.dwg P11.dwg 25:15:39:30 2001