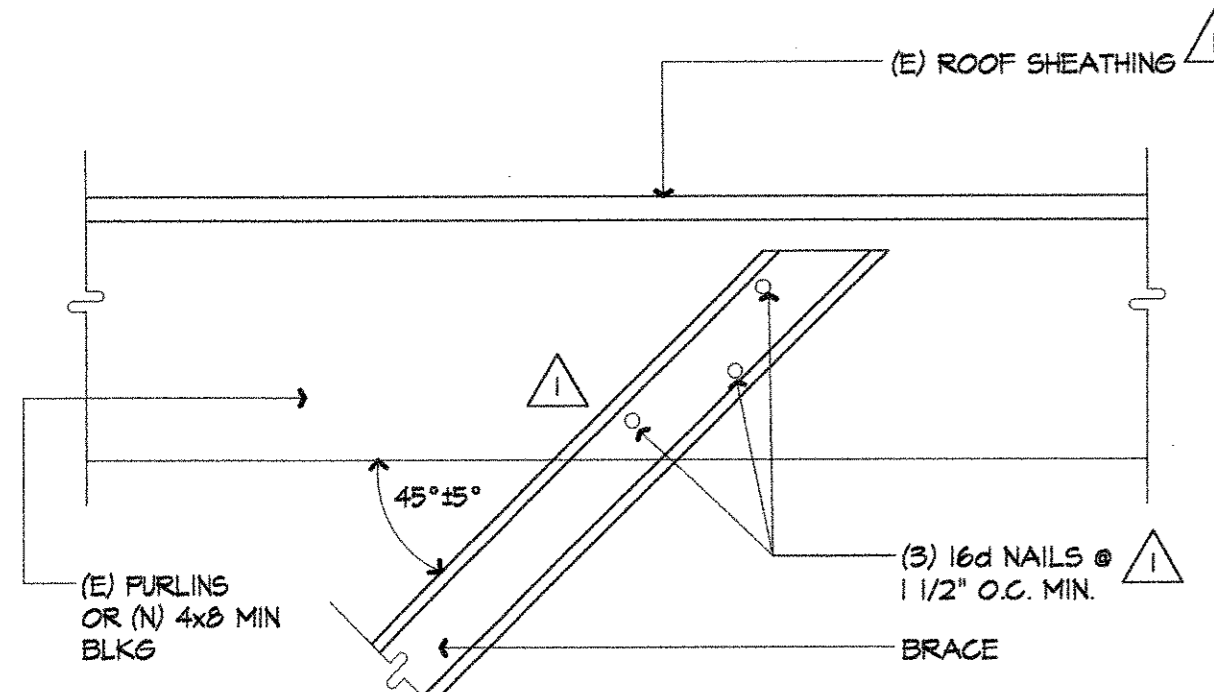
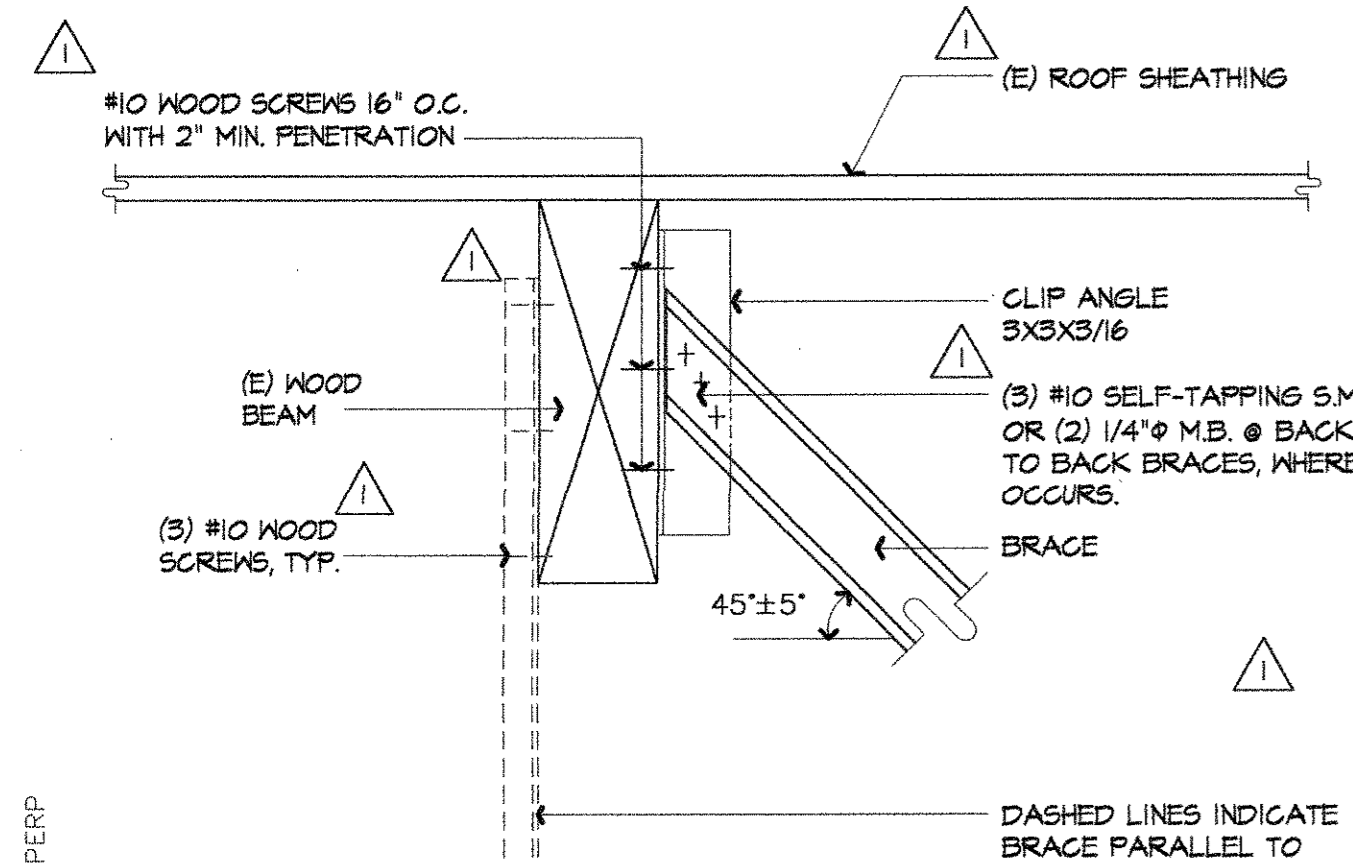


PA\2163.002\CAD\DETAILS\BRACING PARALLEL



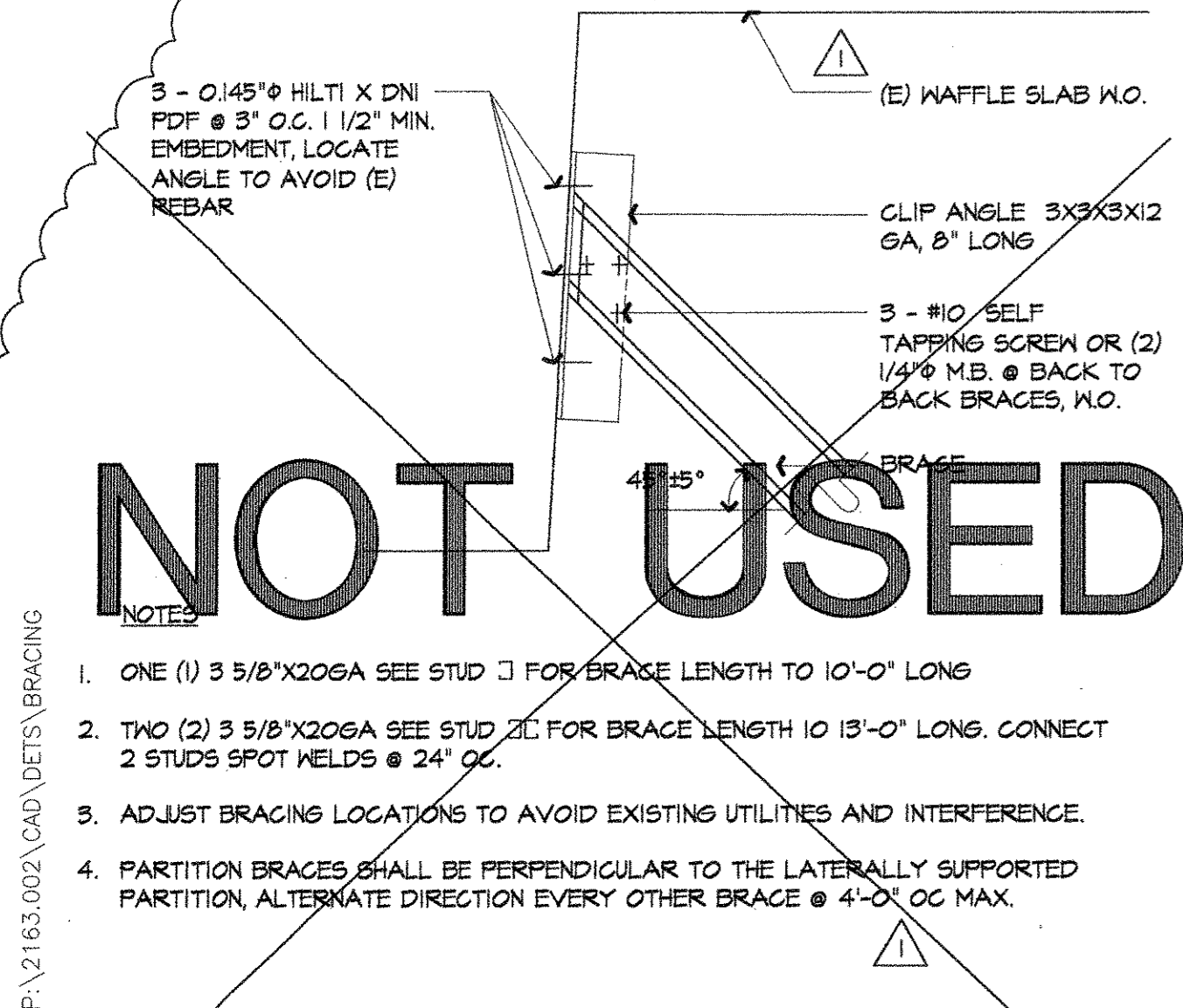
- NOTES**
- ONE (1) 3 5/8"x20GA CEE STUD □ FOR BRACE LENGTH TO 10'-0" LONG
 - TWO (2) 3 5/8"x20GA CEE STUD □ FOR BRACE LENGTH TO 13'-0" LONG. CONNECT 2 STUDS SPOT WELDS @ 24" O.C. CUT FLANGE AT MEMBER THAT ABUTS (E) FURLIN
 - ADJUST BRACING LOCATIONS TO AVOID EXISTING UTILITIES AND INTERFERENCE.
 - PARTITION BRACES SHALL BE PERPENDICULAR TO THE LATERALLY SUPPORTED PARTITION. ALTERNATE DIRECTION EVERY OTHER BRACE @ 4'-0" O.C. MAX.

17 BRACING DETAIL (PARALLEL)
1-1/2"=1'-0"

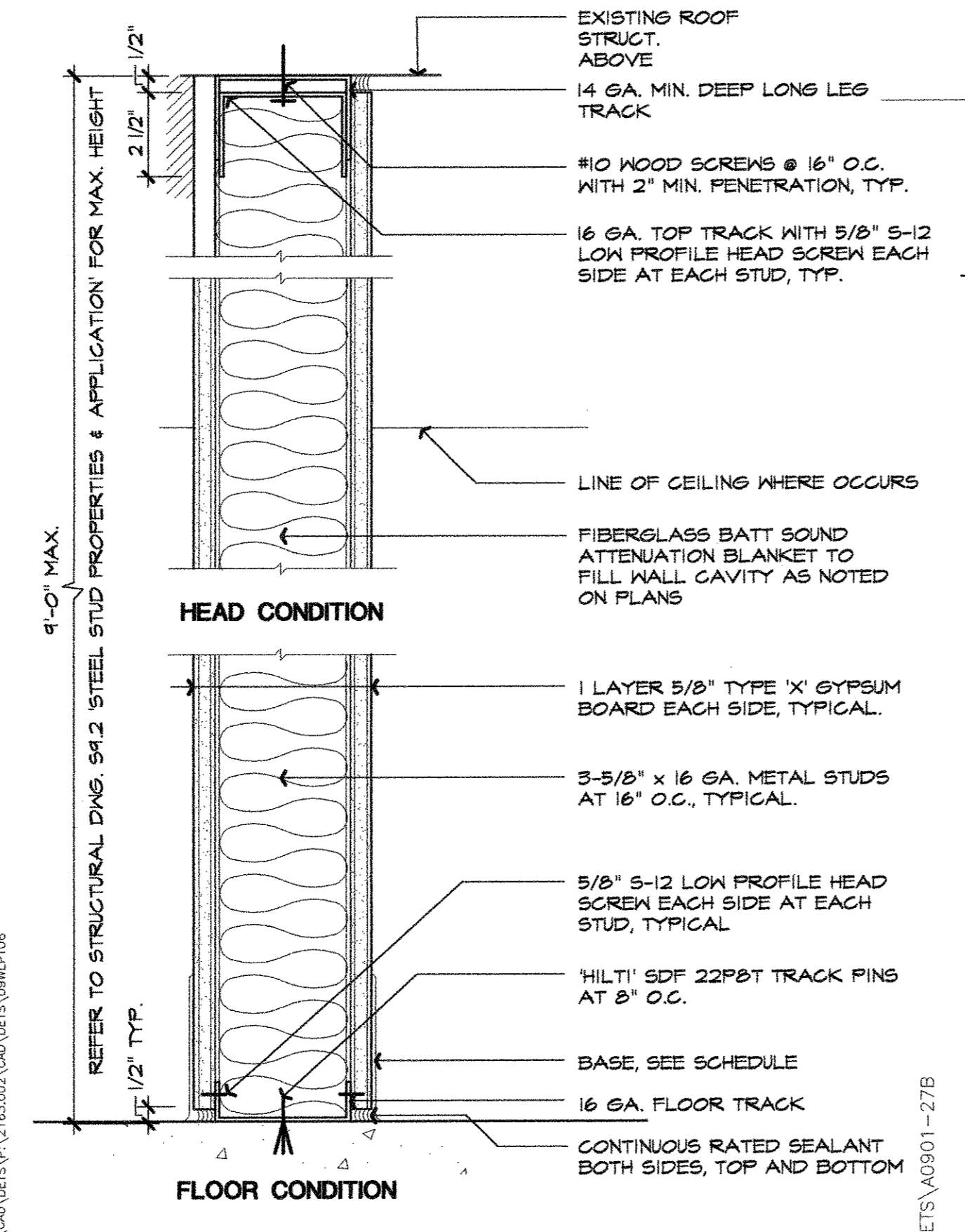


- NOTES**
- ONE (1) 3 5/8"x20GA CEE STUD □ FOR BRACE LENGTH TO 10'-0" LONG
 - TWO (2) 3 5/8"x20GA CEE STUD □ FOR BRACE LENGTH TO 13'-0" LONG. CONNECT 2 STUDS SPOT WELDS @ 24" O.C.
 - ADJUST BRACING LOCATIONS TO AVOID EXISTING UTILITIES AND INTERFERENCE.
 - PARTITION BRACES SHALL BE PERPENDICULAR TO THE LATERALLY SUPPORTED PARTITION. ALTERNATE DIRECTION EVERY OTHER BRACE @ 4'-0" O.C. MAX.

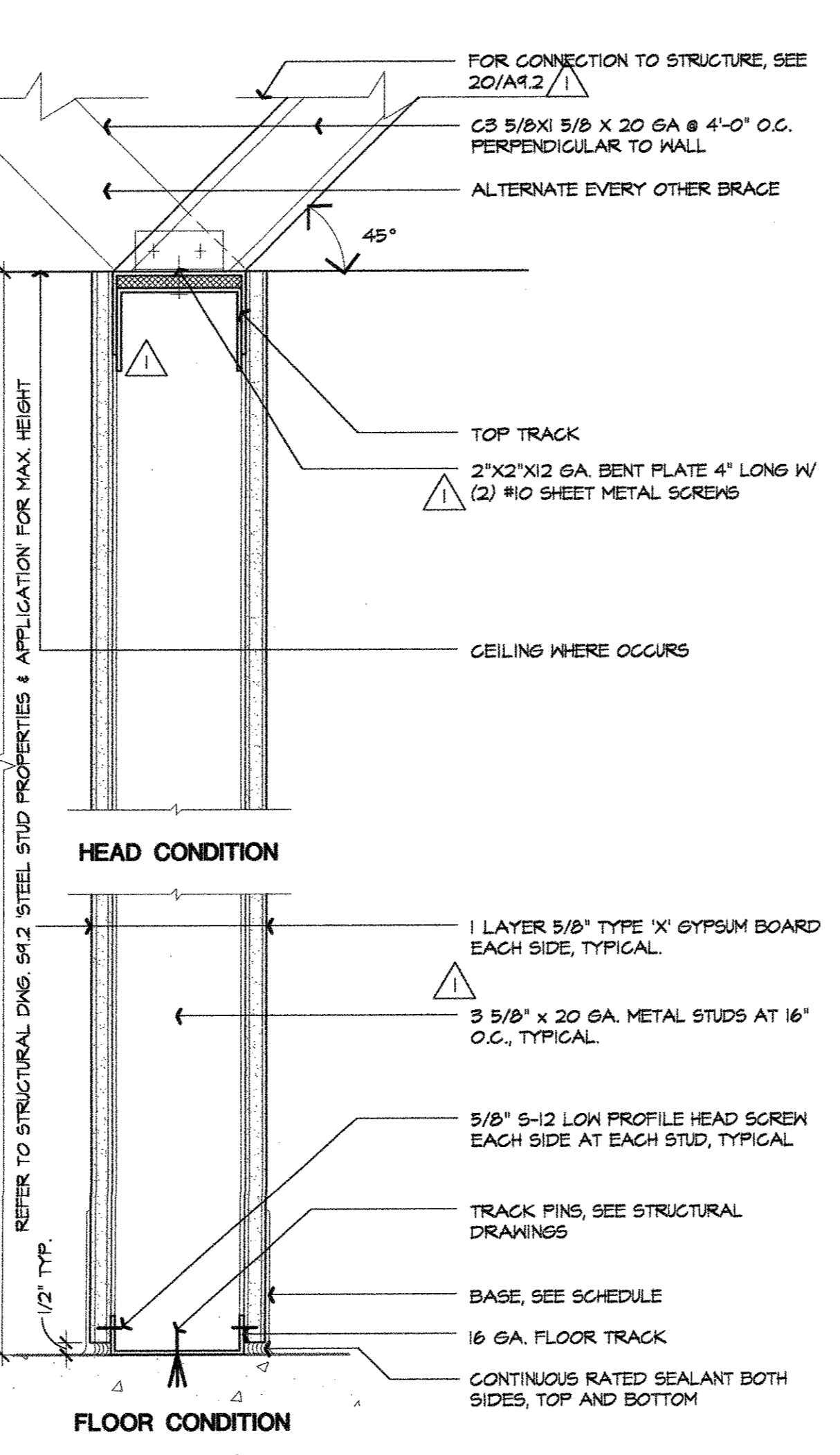
18 BRACING DETAIL (PERP.)
1-1/2"=1'-0"



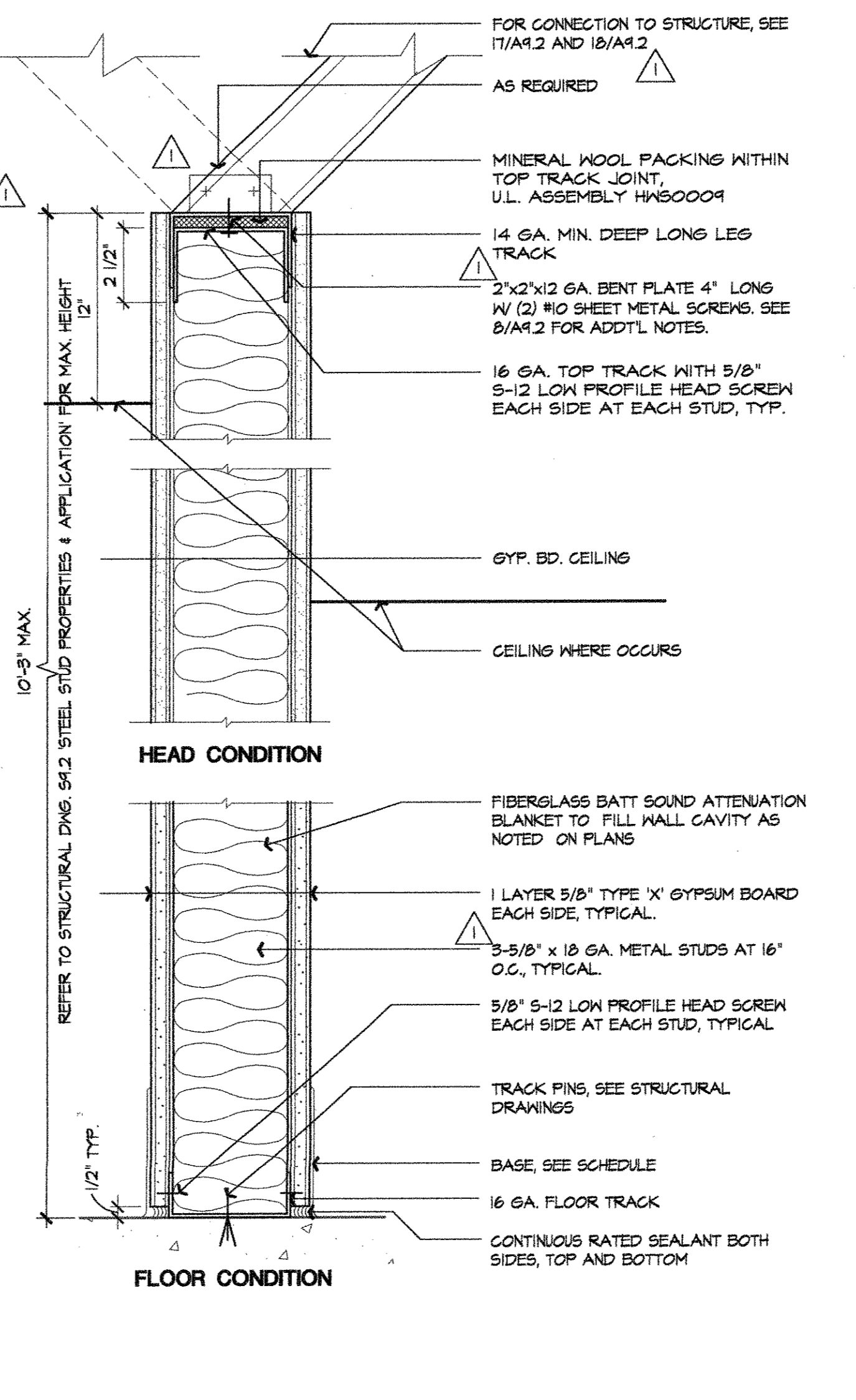
20 BRACING DETAIL @ WAFFLE
1-1/2"=1'-0"



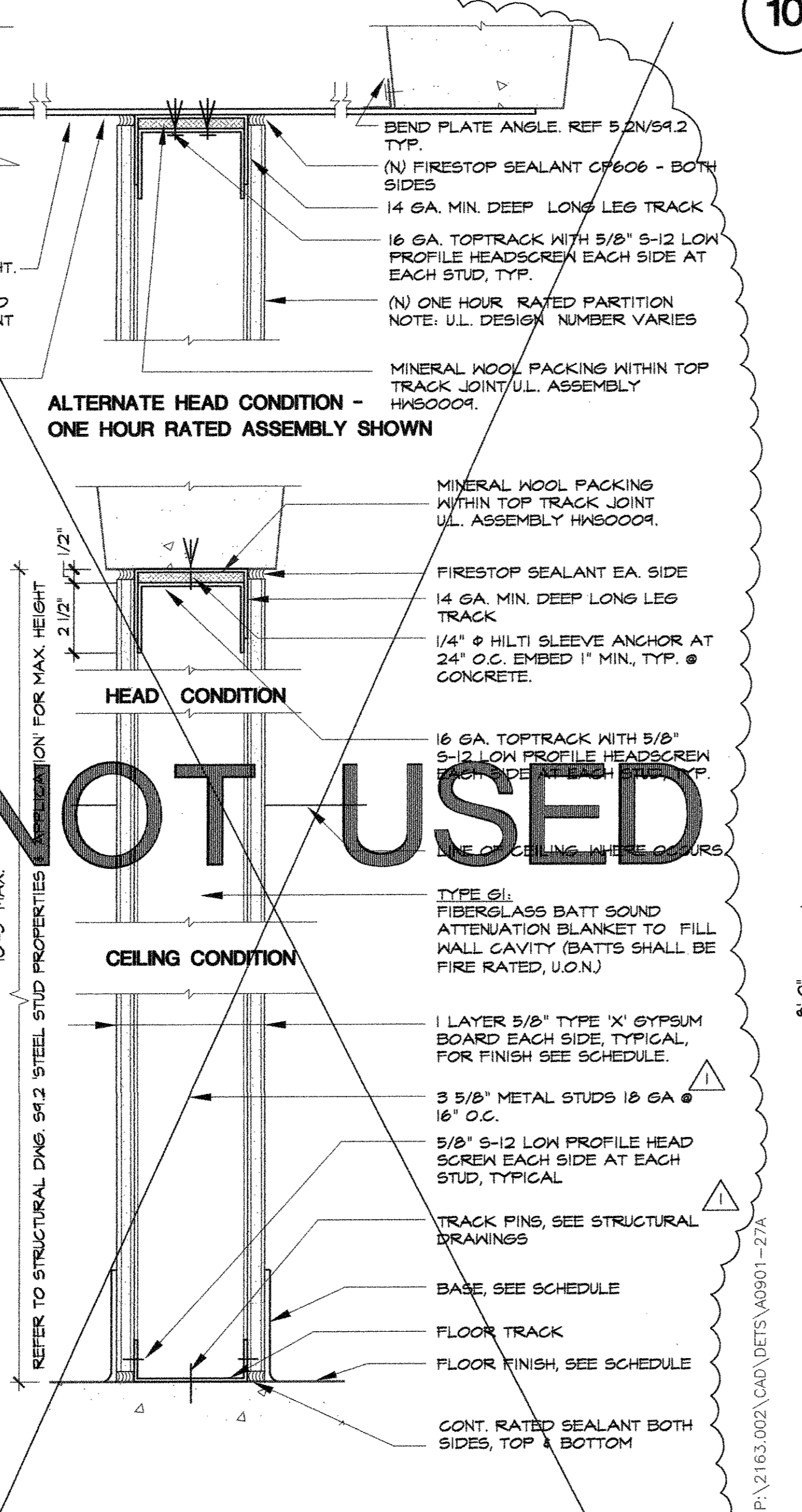
14 1 HR. RATED ROOF HIGH WALL TYPE F (U.L. DESIGN NO. U465)
3"=1'-0"



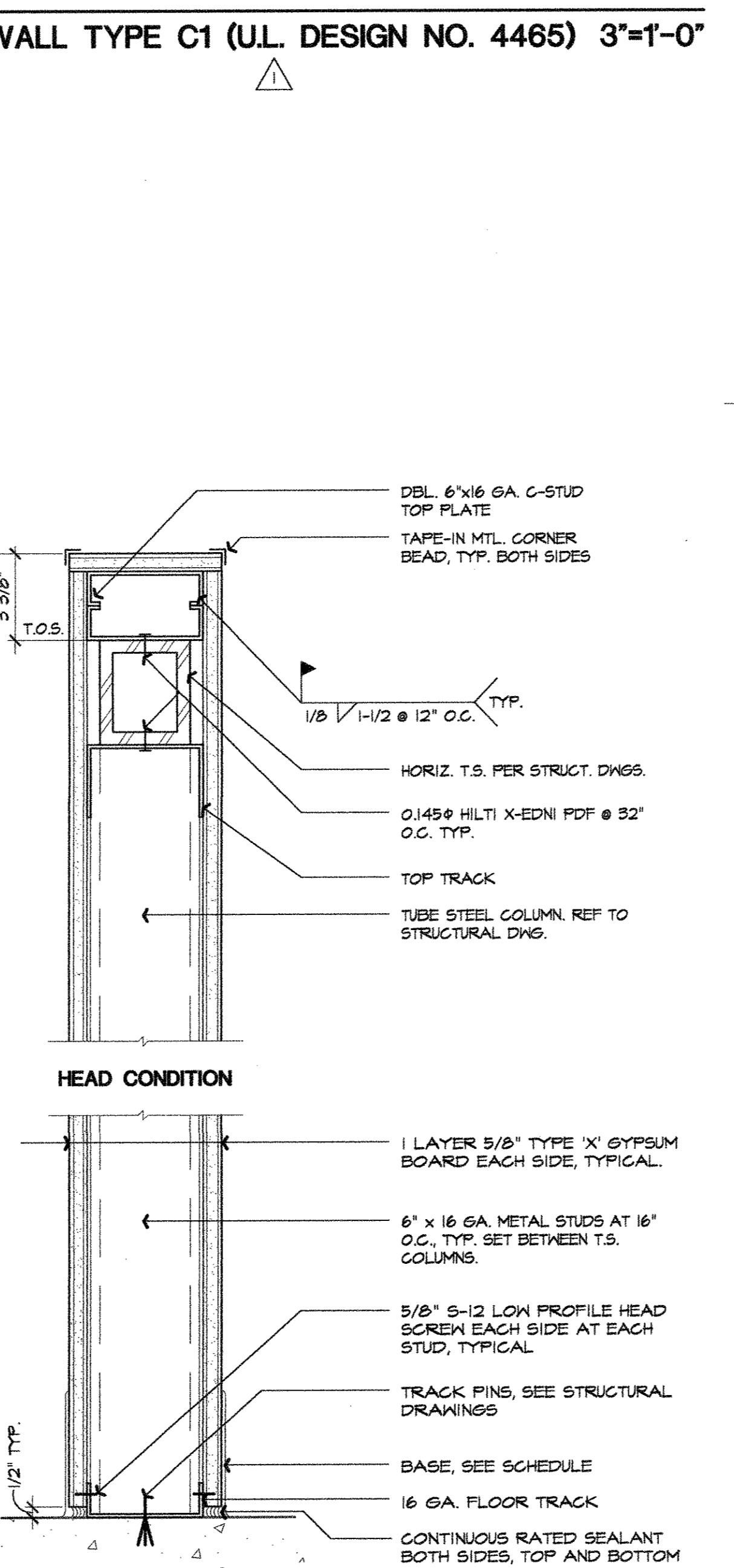
10 CEILING HIGH RATED WALL TYPE C1 (U.L. DESIGN NO. 4465)
3"=1'-0"



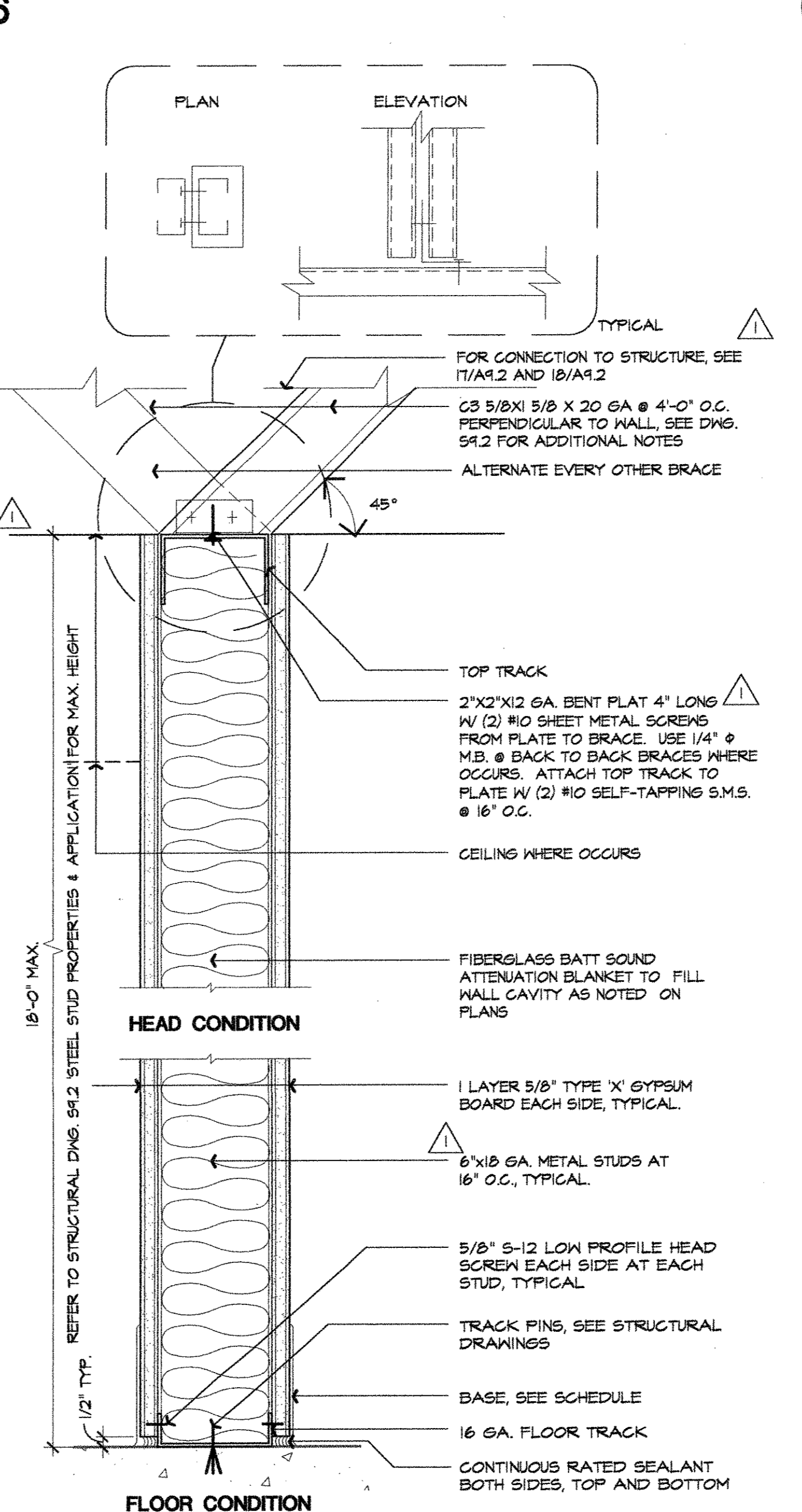
2 ROOF HIGH UNRATED WALL TYPE A
3"=1'-0"



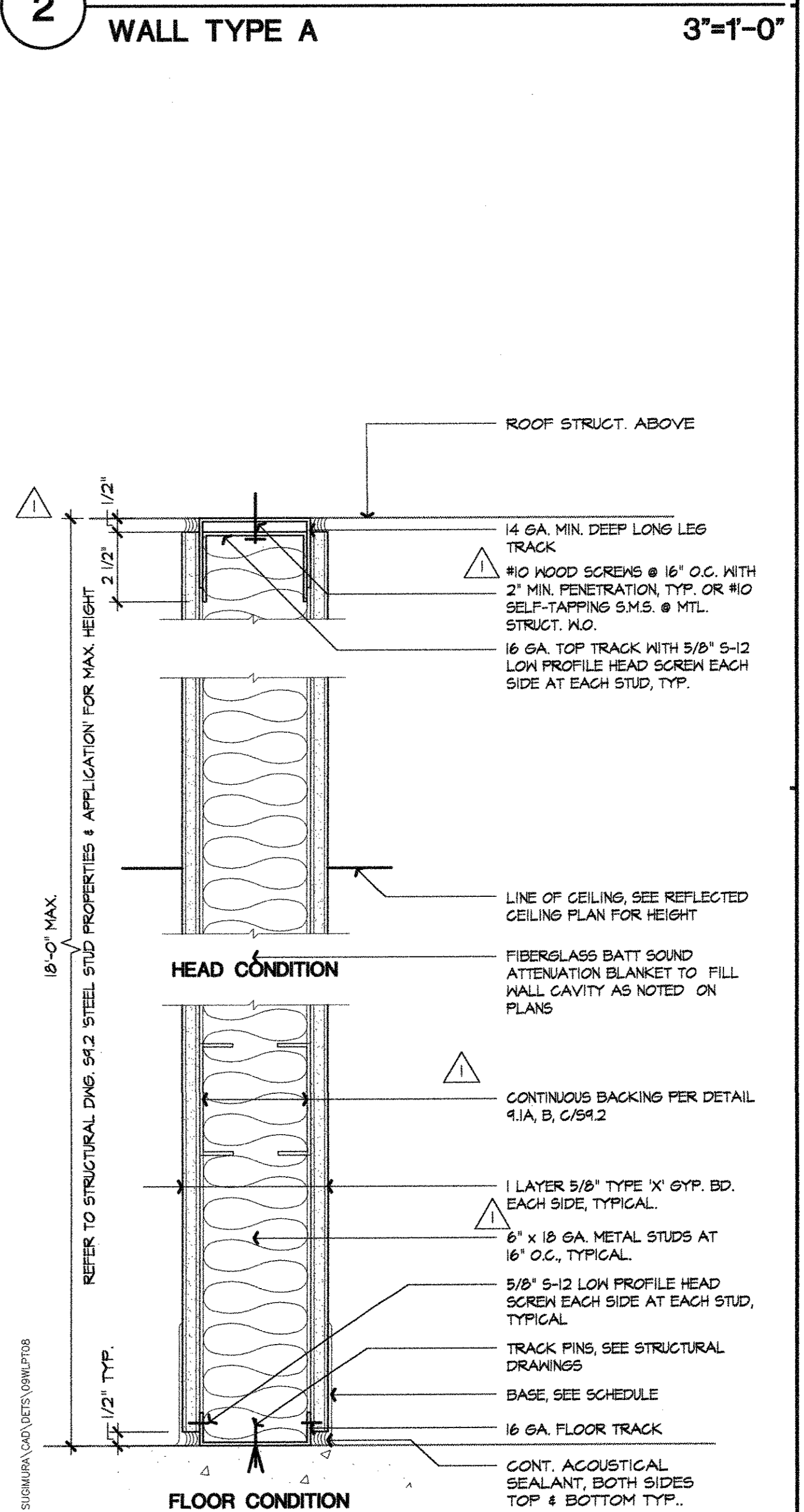
16 1 HR RATED ROOF HIGH WALL TYPE G (DESIGN NO. U423)
3"=1'-0"



12 WING WALL UNRATED WALL TYPE D
3"=1'-0"



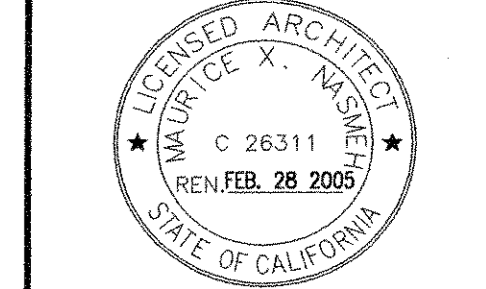
8 CEILING HIGH UNRATED WALL TYPE C
3"=1'-0"



4 SOUND ABSORBING-WALL TYPE A1 (CBC TABLE 7B, ITEM 16-11)
3"=1'-0"

NOT USED

NOT USED



NO.	DATE	BY	DESCRIPTION

WALL TYPE DETAILS
 SKYLINE COLLEGE SWING SPACE
 PERMIT PACKAGE #3
 SKYLINE COLLEGE
 3300 COLLEGE DRIVE
 SAN BRUNO, CA 94066

REVISIONS

NO.	ITEM	DATE
1	DSA BACKCHECK	3/28/04
2	CONSTRUCTION ISSUE	6/10/04
3	CONFORM SET	9/9/04

CLIENT APPROVAL:

DRAWN BY: **JLS**
 CHECKED BY: **MDN**
 JOB NO: 2145.002
 DATE: 13 FEB 2004