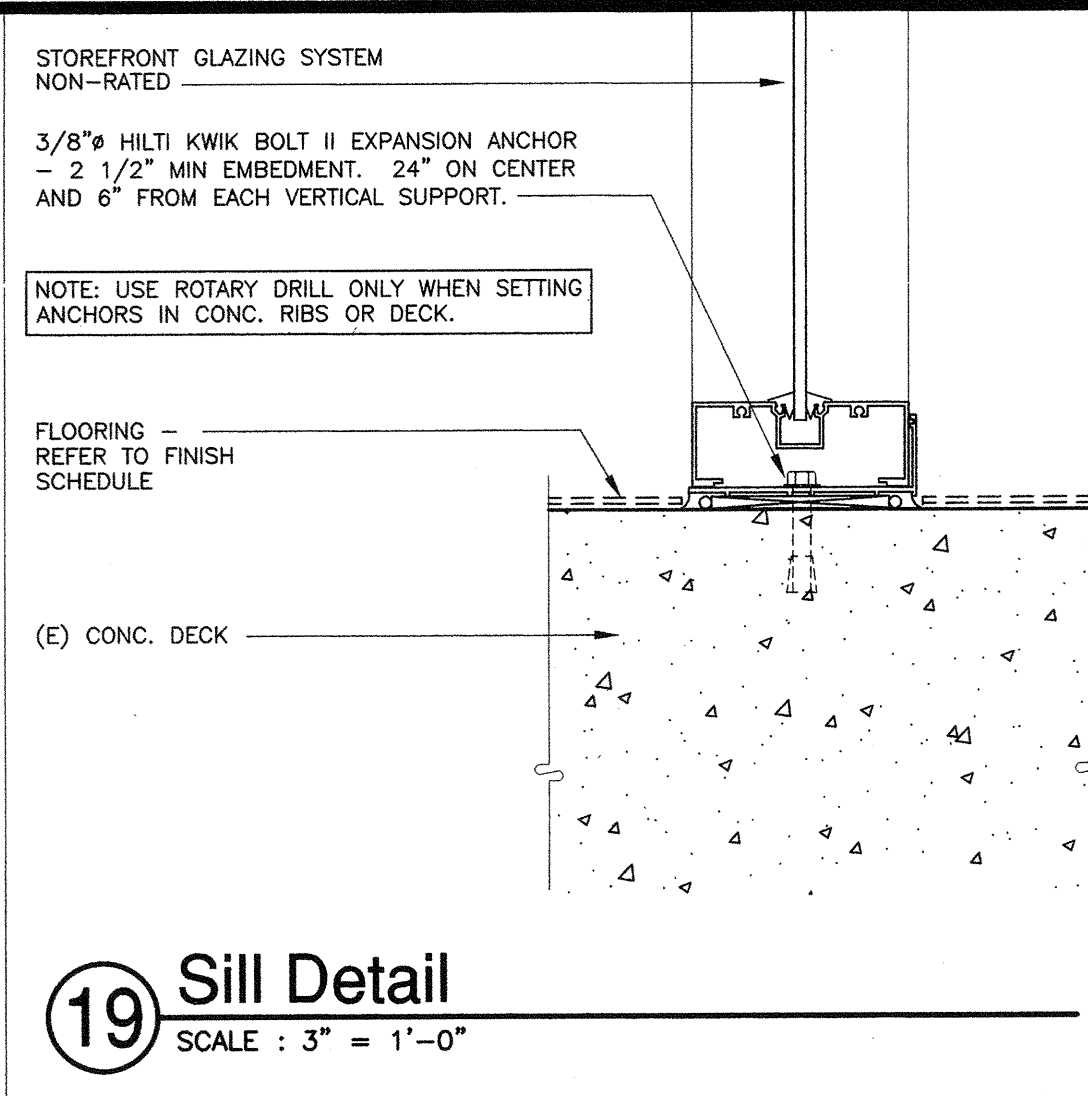


STEVE DOWTY, A.I.A.
PRINCIPAL IN CHARGE

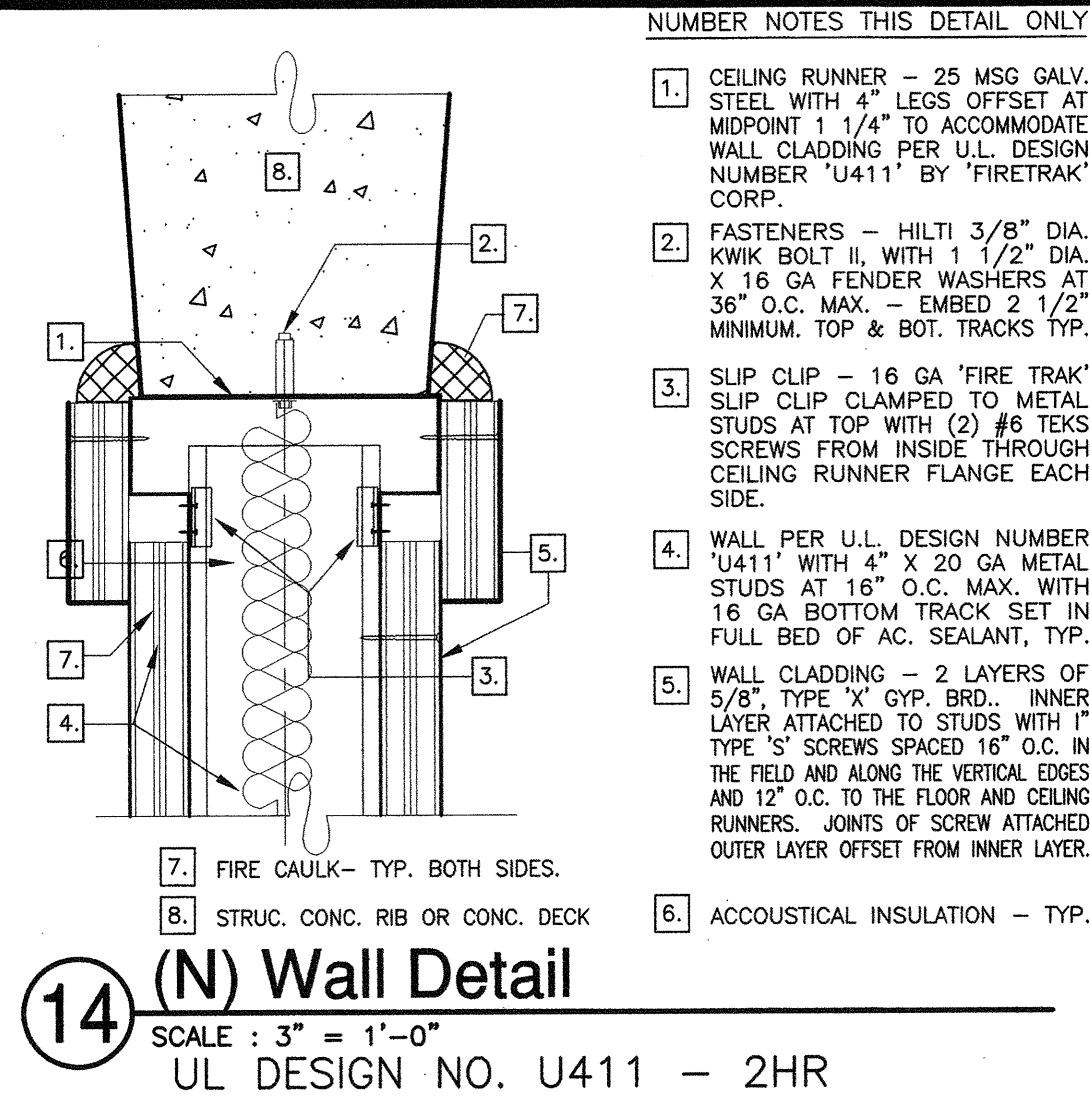
GERALD SHUSTA
PROJECT ARCHITECT

All data, design arrangements and plans indicated or represented by this drawing are intended to be used in conjunction with the project of Kruger-Bensen-Ziemer, AIA, architects, and shall constitute the entire contract. No other conditions, specifications, or drawings shall be used or referred to by anyone. This is copyright for any purpose whatsoever without the written permission of Kruger-Bensen-Ziemer.

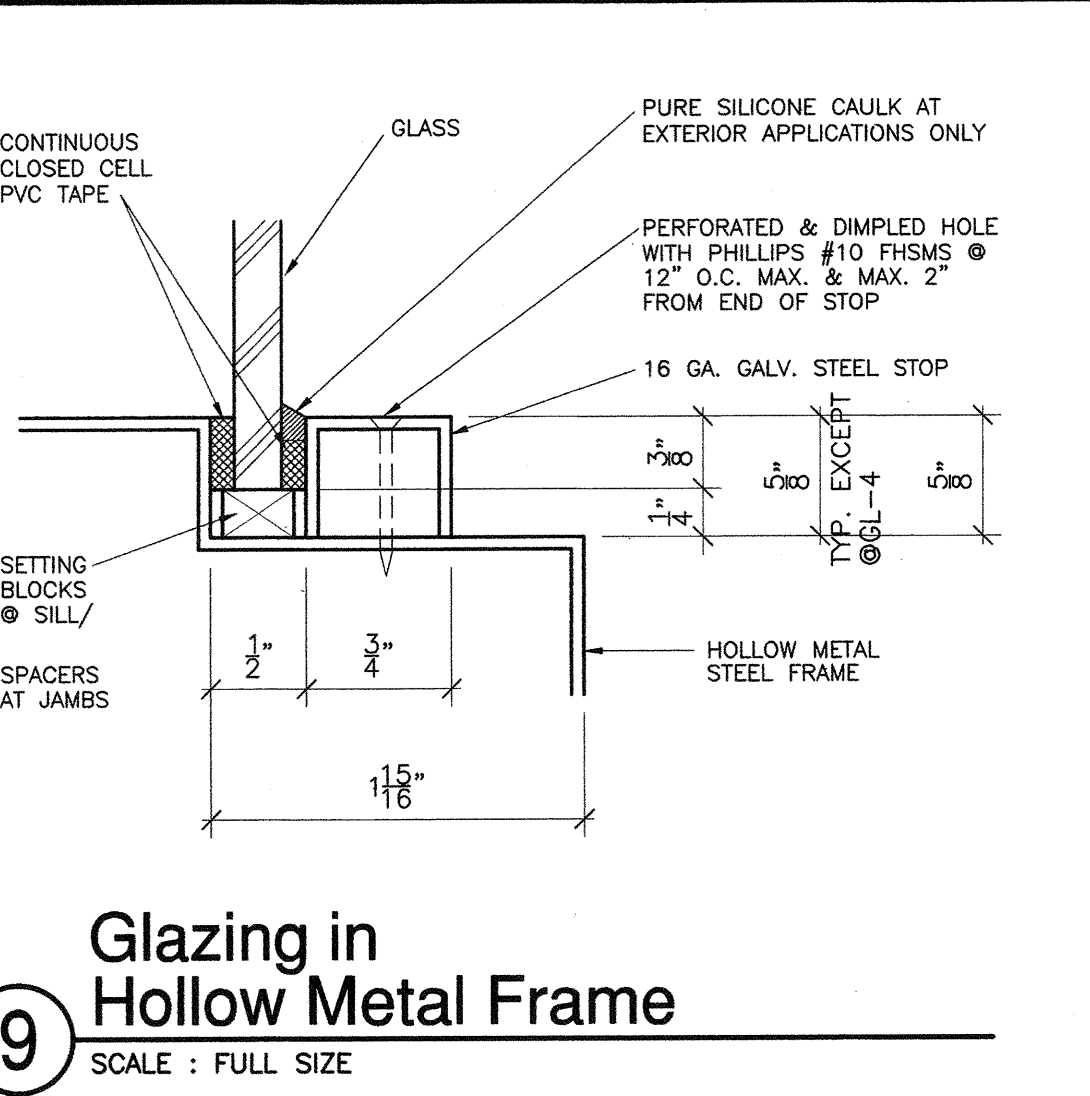
CENTER FOR ADVANCED LEARNING TECHNOLOGY
SKYLINE COLLEGE
 SAN MATEO COUNTY COMMUNITY COLLEGE DISTRICT
 SAN BRUNO, CALIFORNIA 94066
 3300 COLLEGE DRIVE



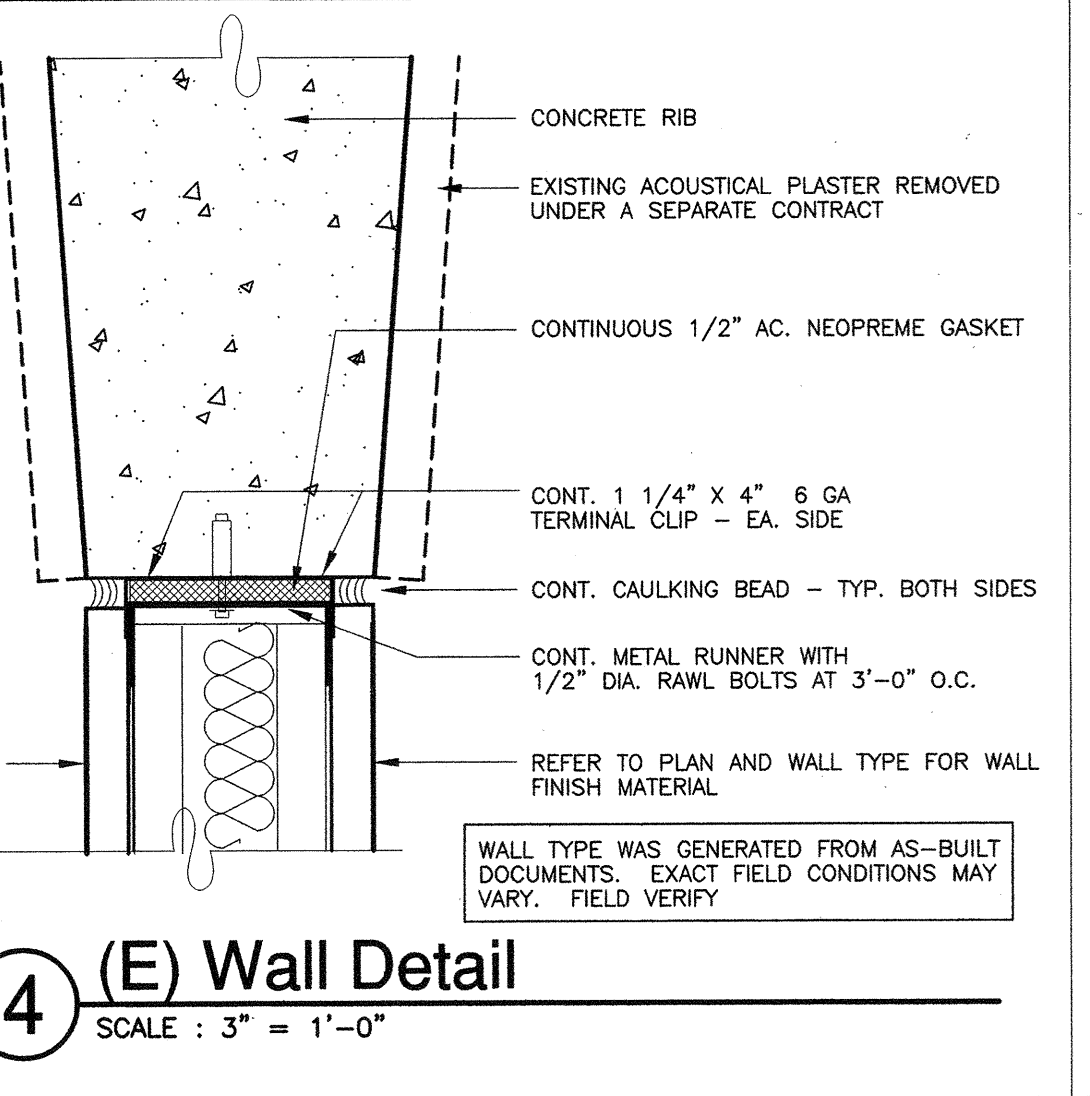
19 Sill Detail
SCALE: 3" = 1'-0"



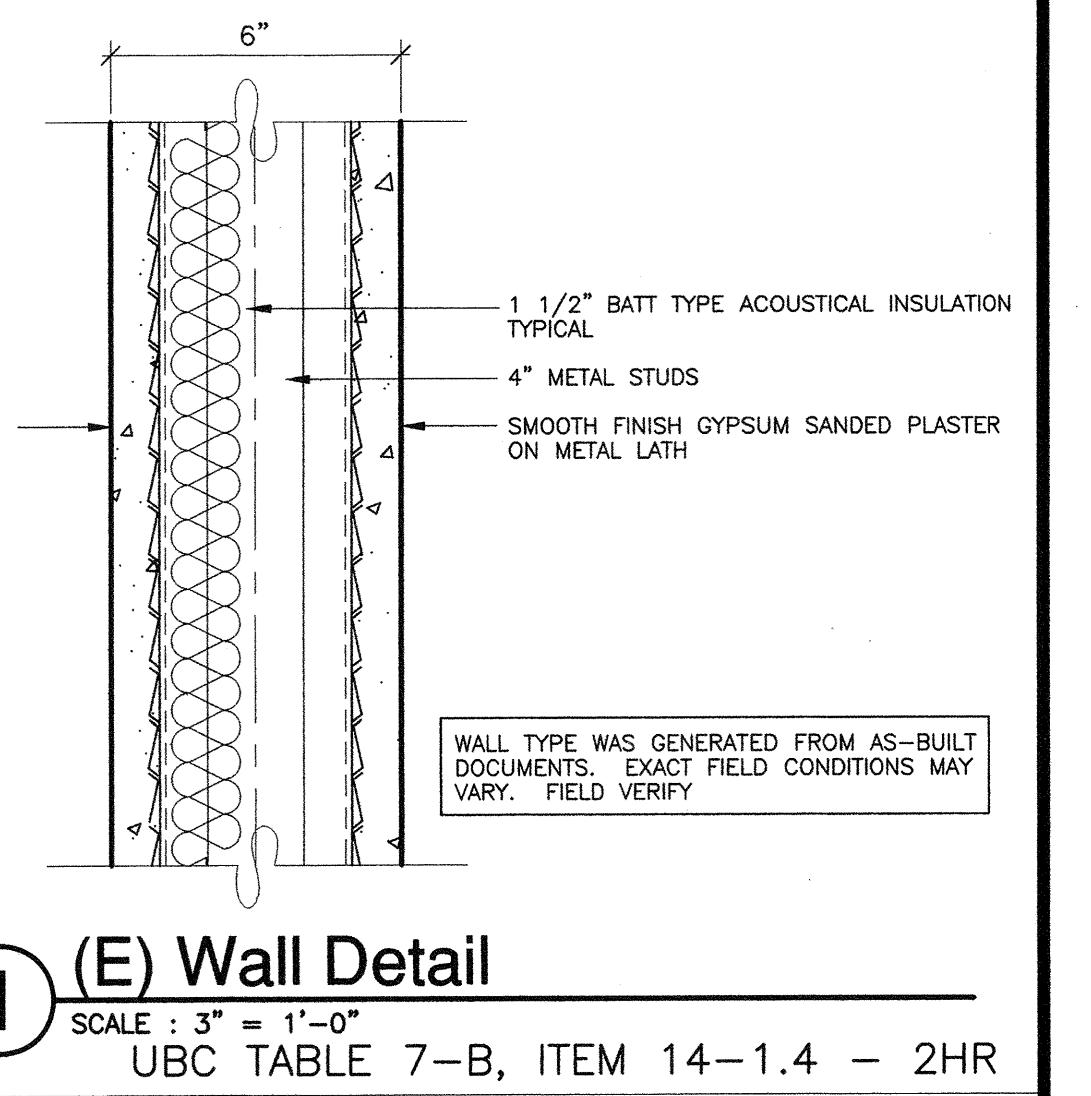
14 (N) Wall Detail
SCALE: 3" = 1'-0"
UL DESIGN NO. U411 - 2HR



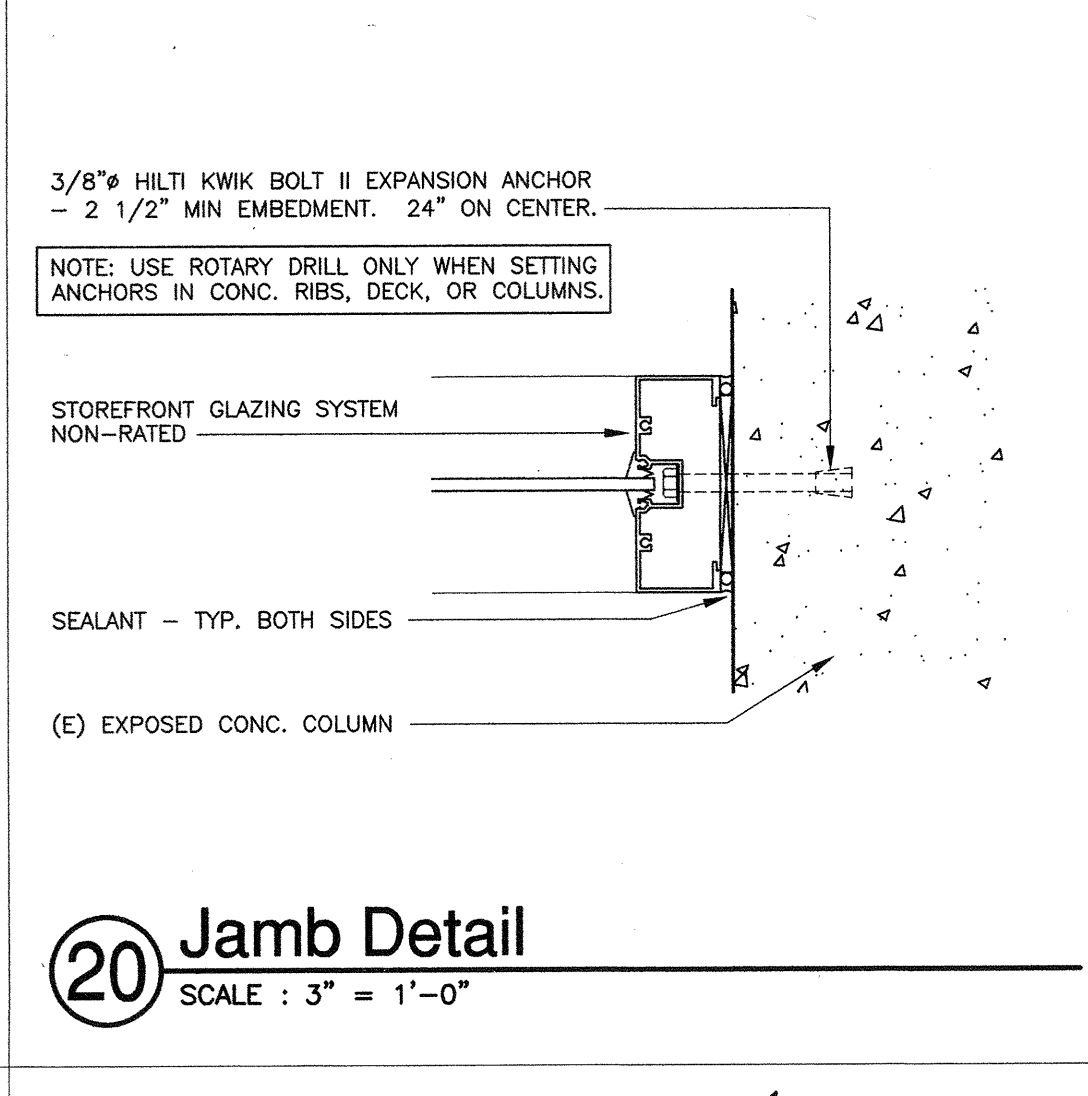
9 Glazing in Hollow Metal Frame
SCALE: FULL SIZE



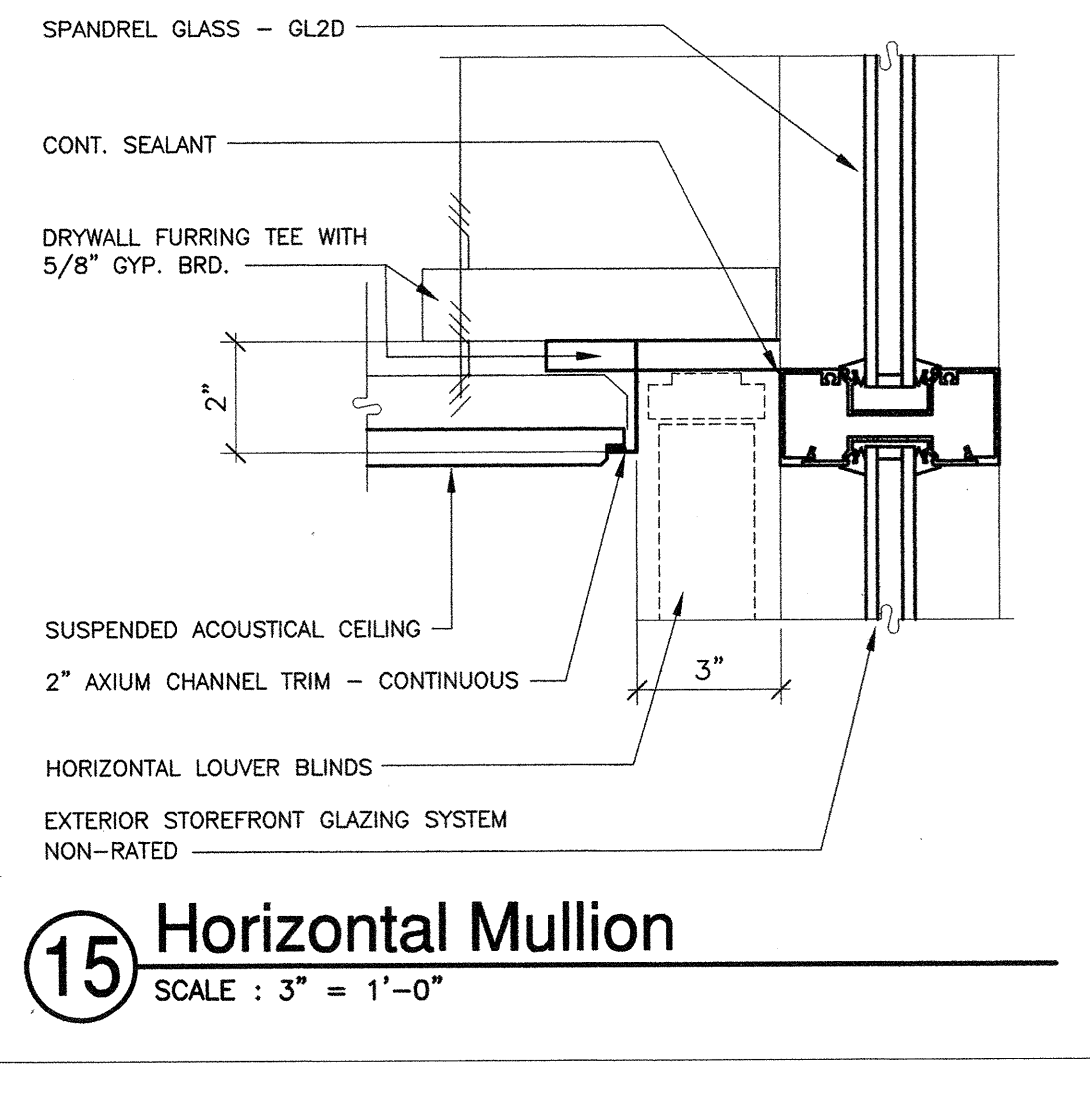
4 (E) Wall Detail
SCALE: 3" = 1'-0"



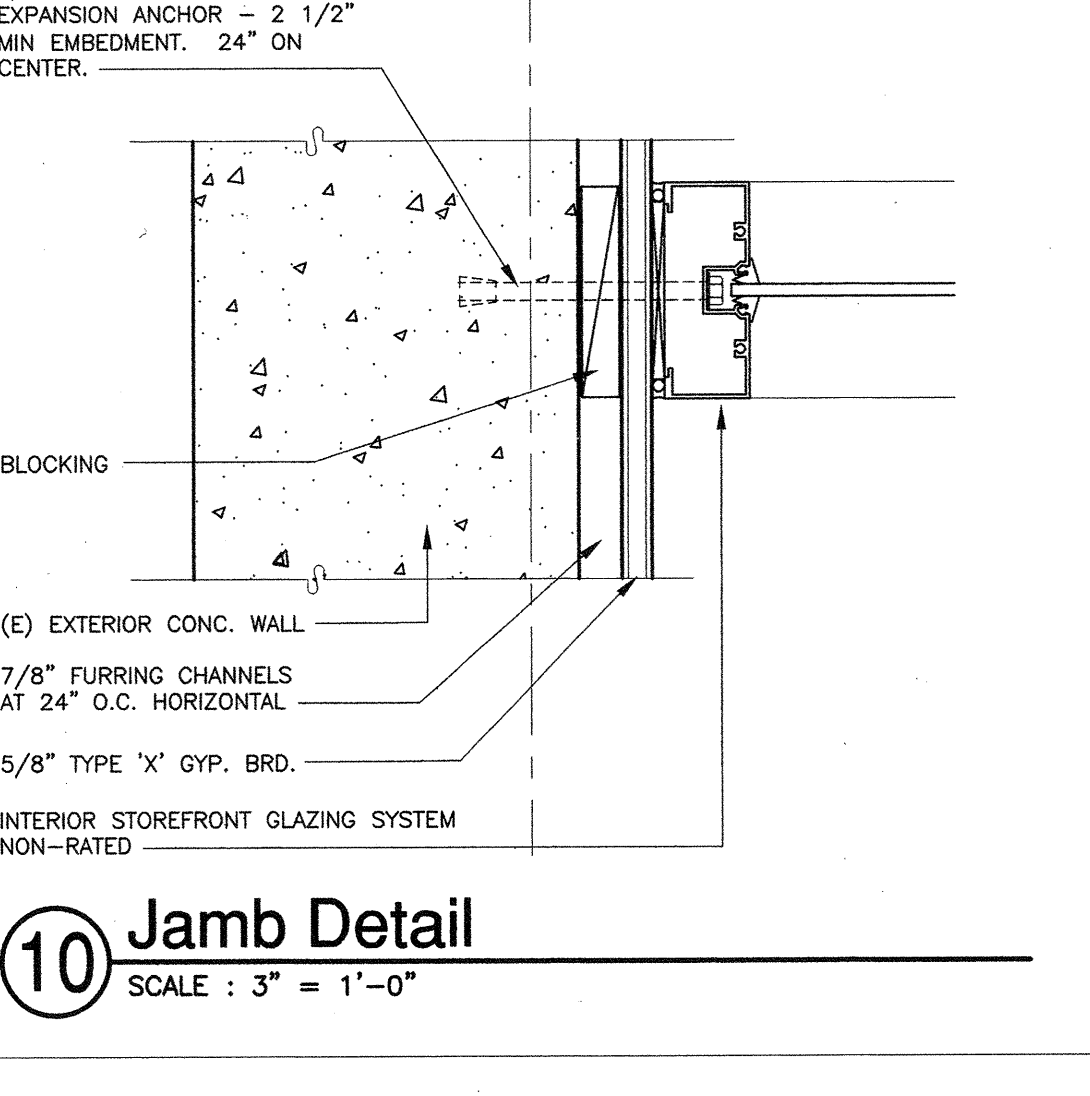
1 (E) Wall Detail
SCALE: 3" = 1'-0"
UBC TABLE 7-B, ITEM 14-1.4 - 2HR



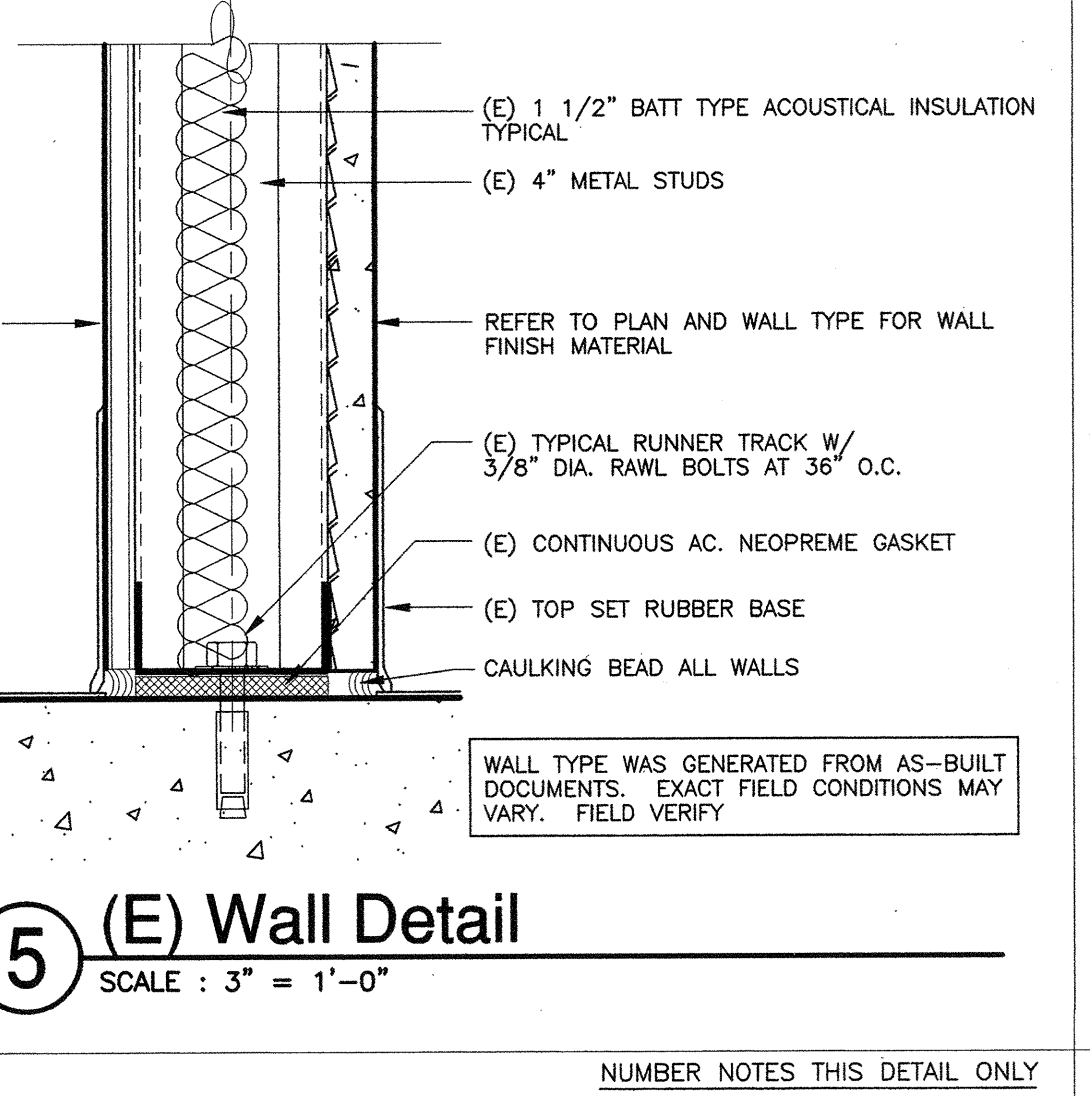
20 Jamb Detail
SCALE: 3" = 1'-0"



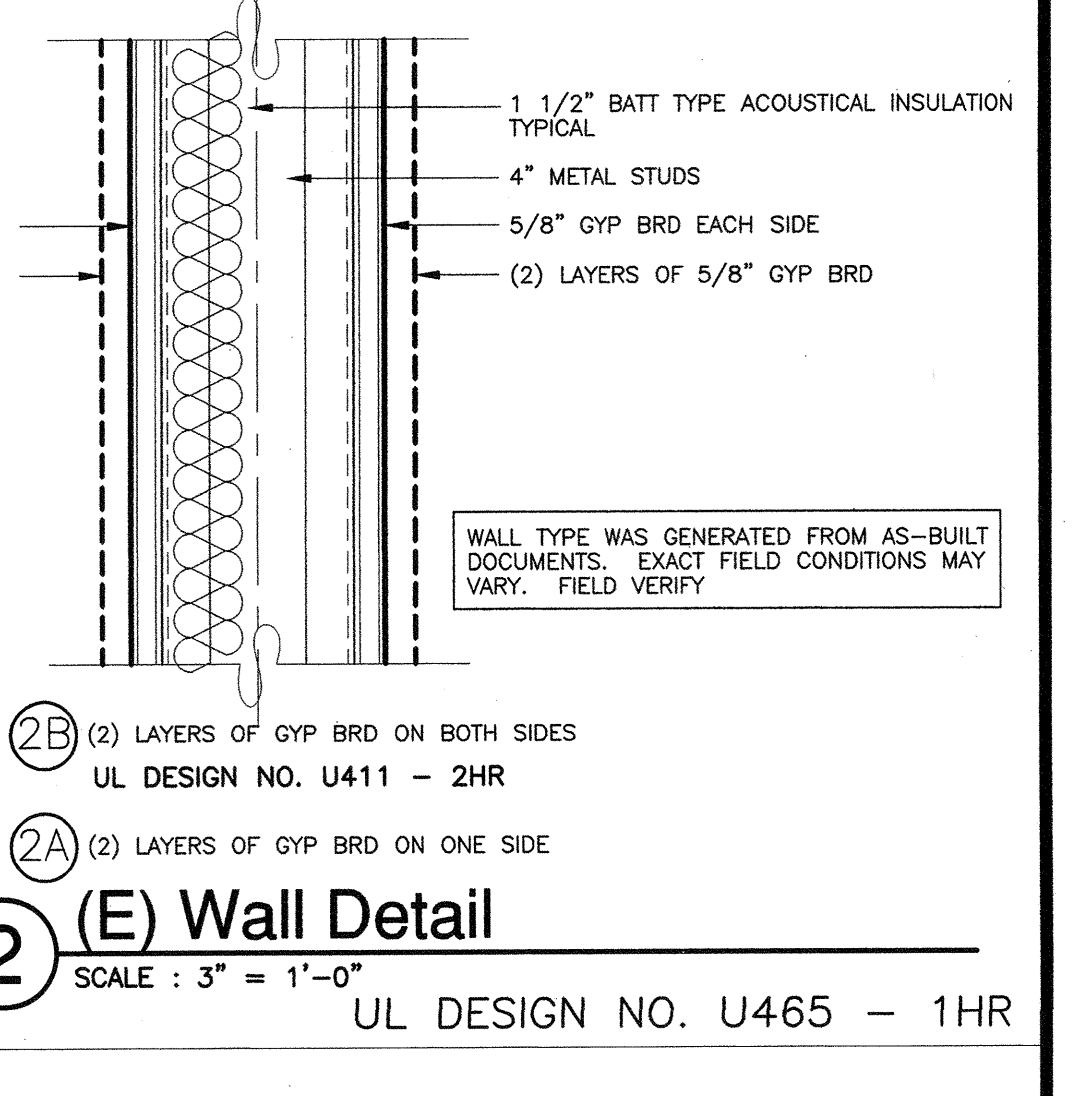
15 Horizontal Mullion
SCALE: 3" = 1'-0"



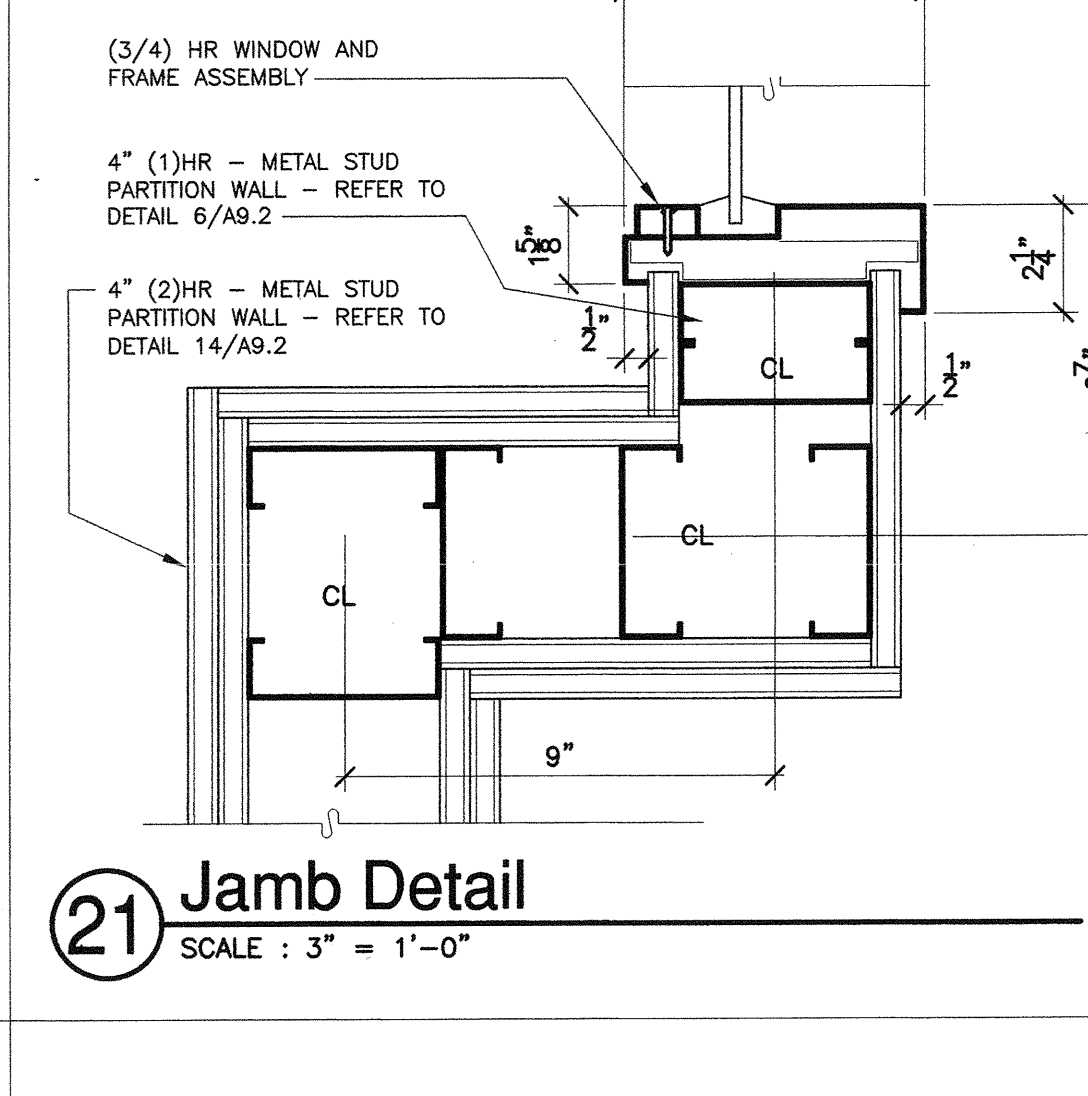
10 Jamb Detail
SCALE: 3" = 1'-0"



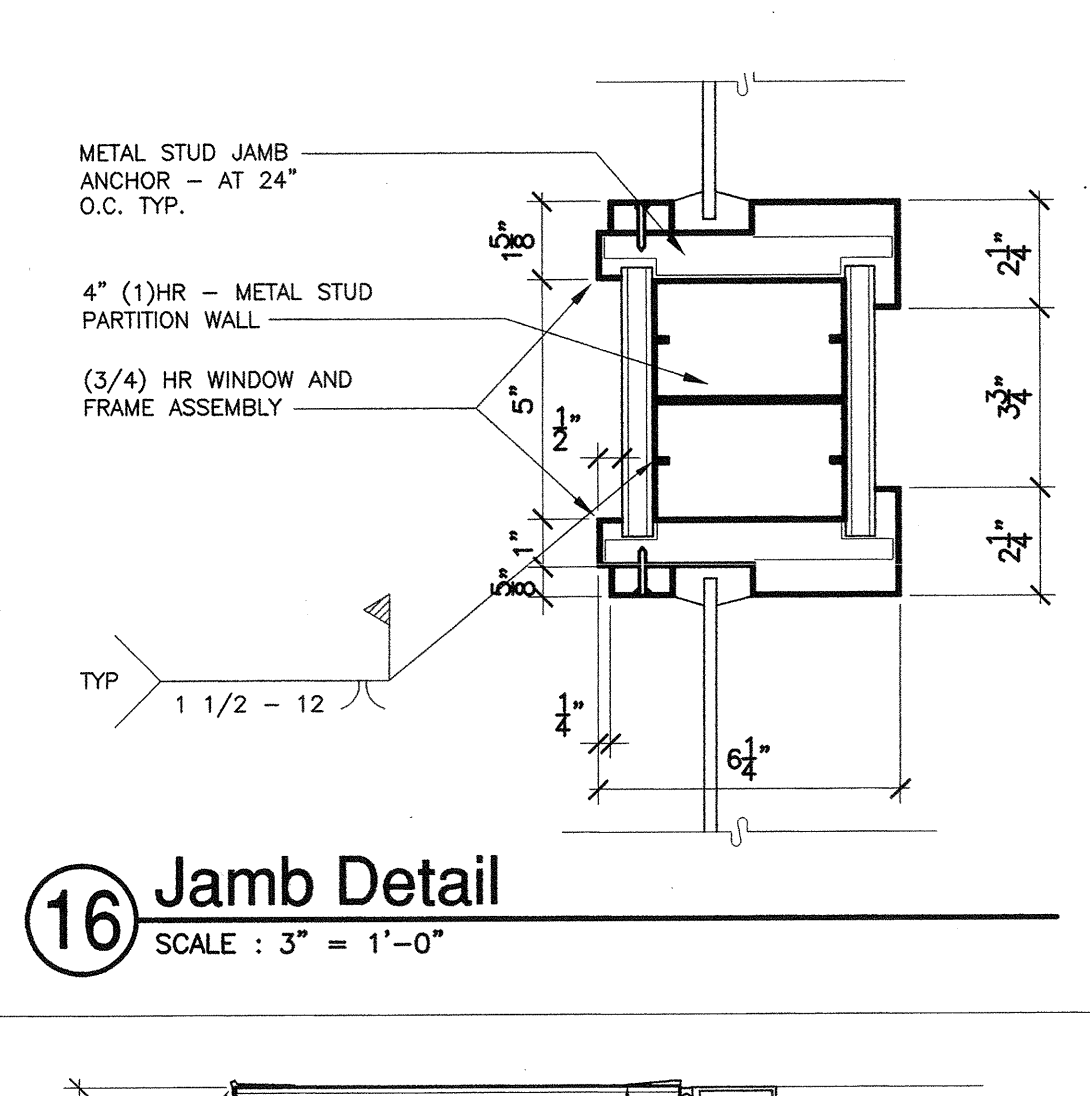
5 (E) Wall Detail
SCALE: 3" = 1'-0"



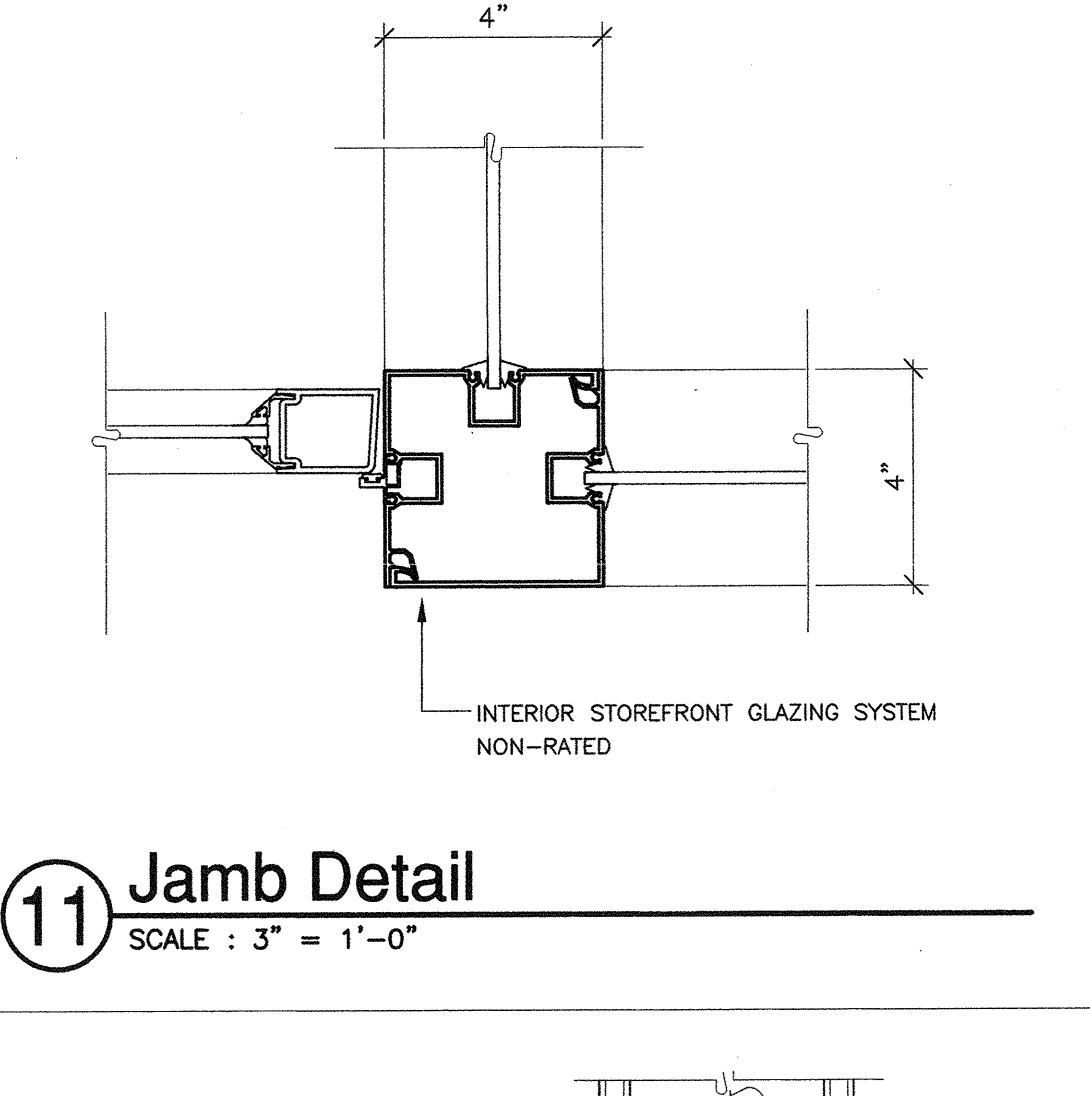
2 (E) Wall Detail
SCALE: 3" = 1'-0"
UL DESIGN NO. U465 - 1HR



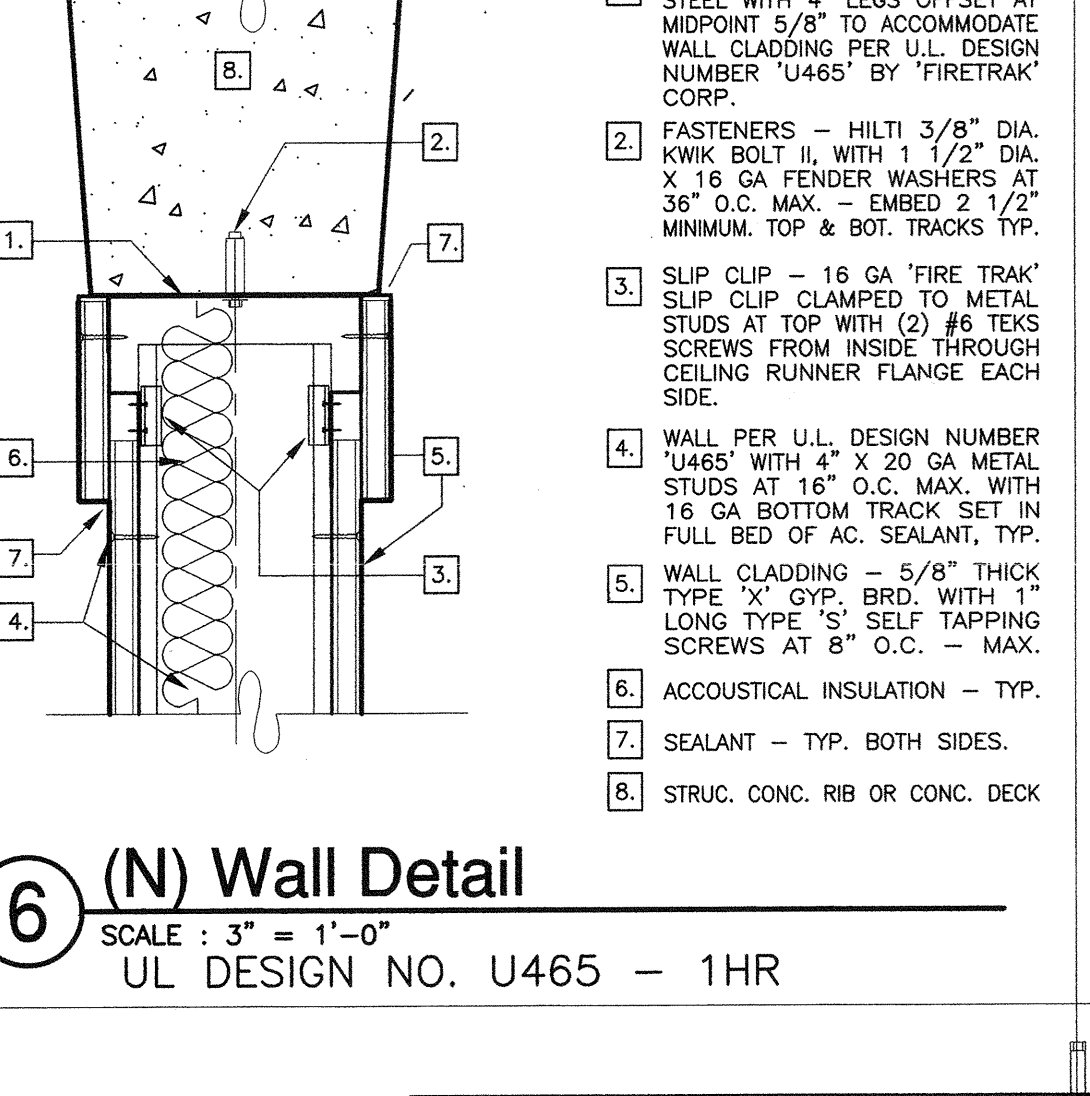
21 Jamb Detail
SCALE: 3" = 1'-0"



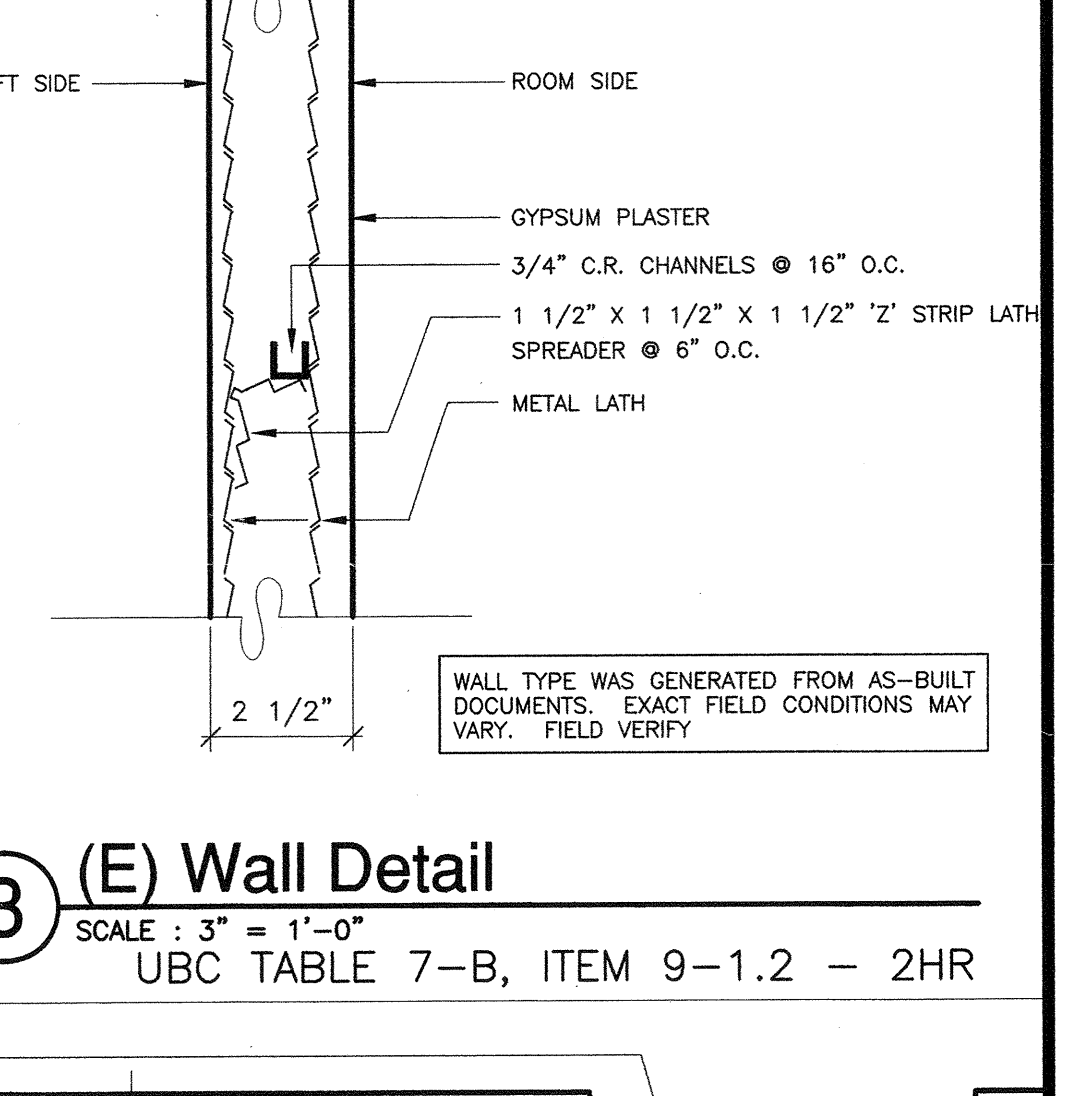
16 Jamb Detail
SCALE: 3" = 1'-0"



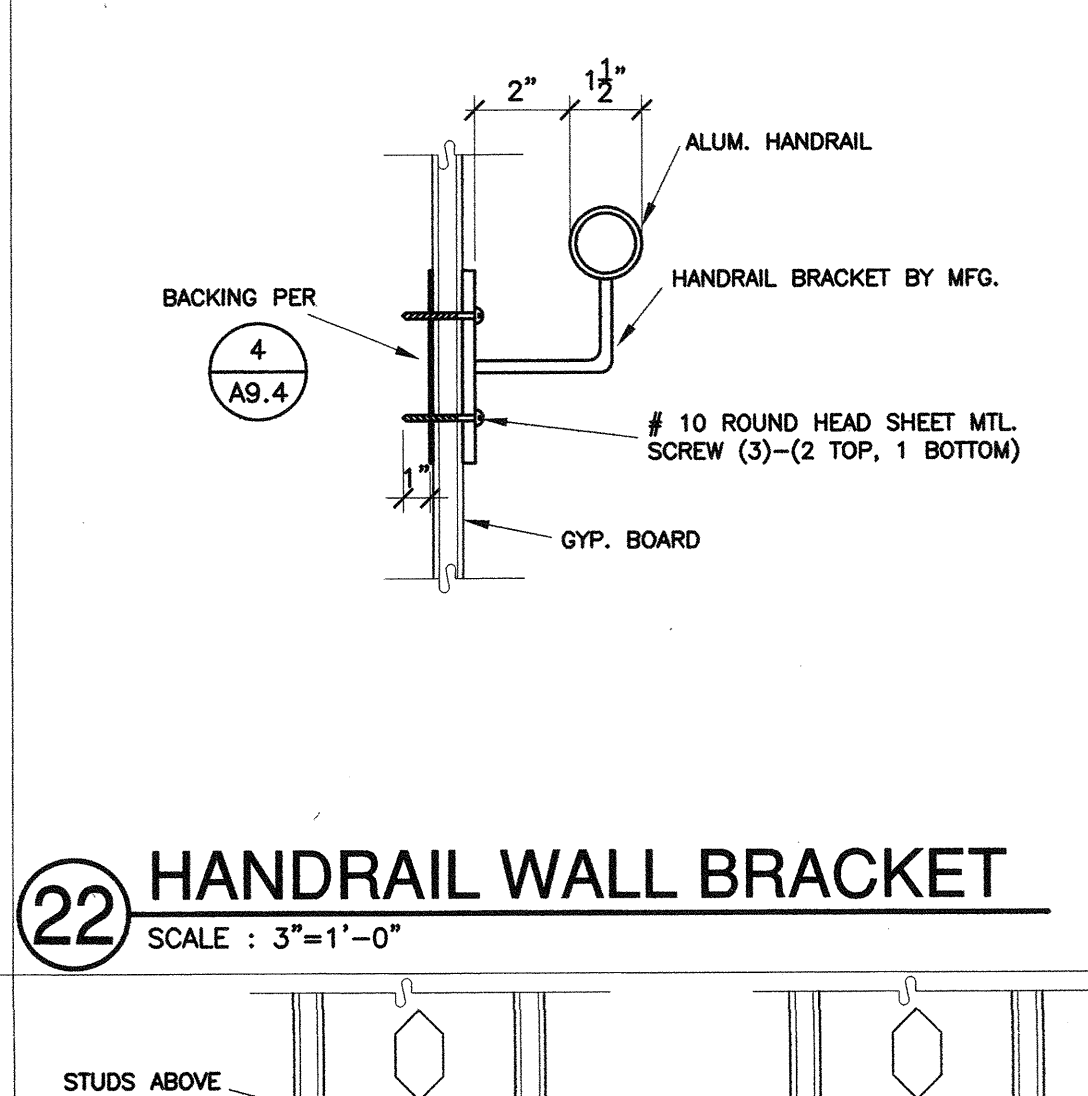
11 Jamb Detail
SCALE: 3" = 1'-0"



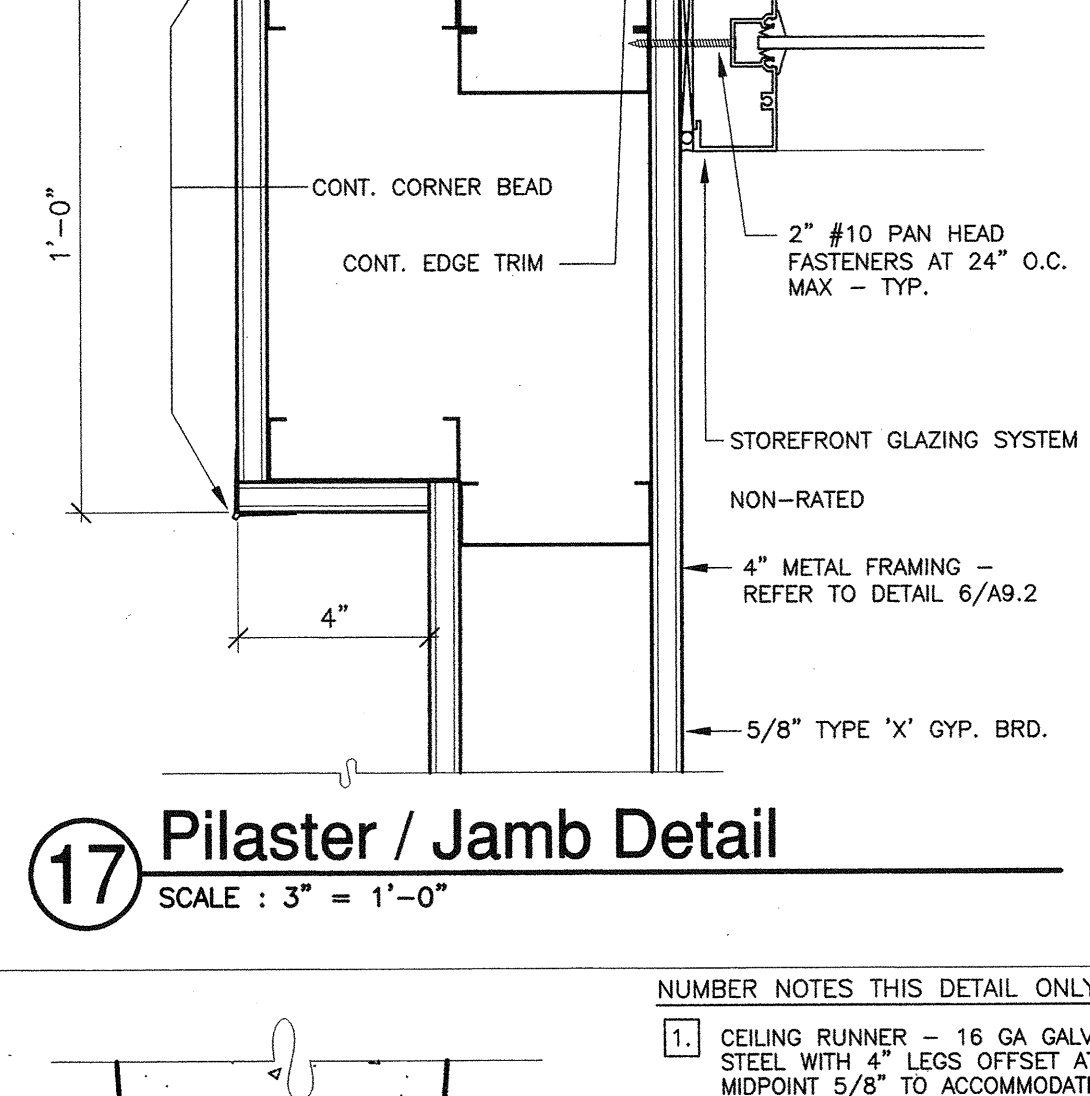
6 (N) Wall Detail
SCALE: 3" = 1'-0"
UL DESIGN NO. U465 - 1HR



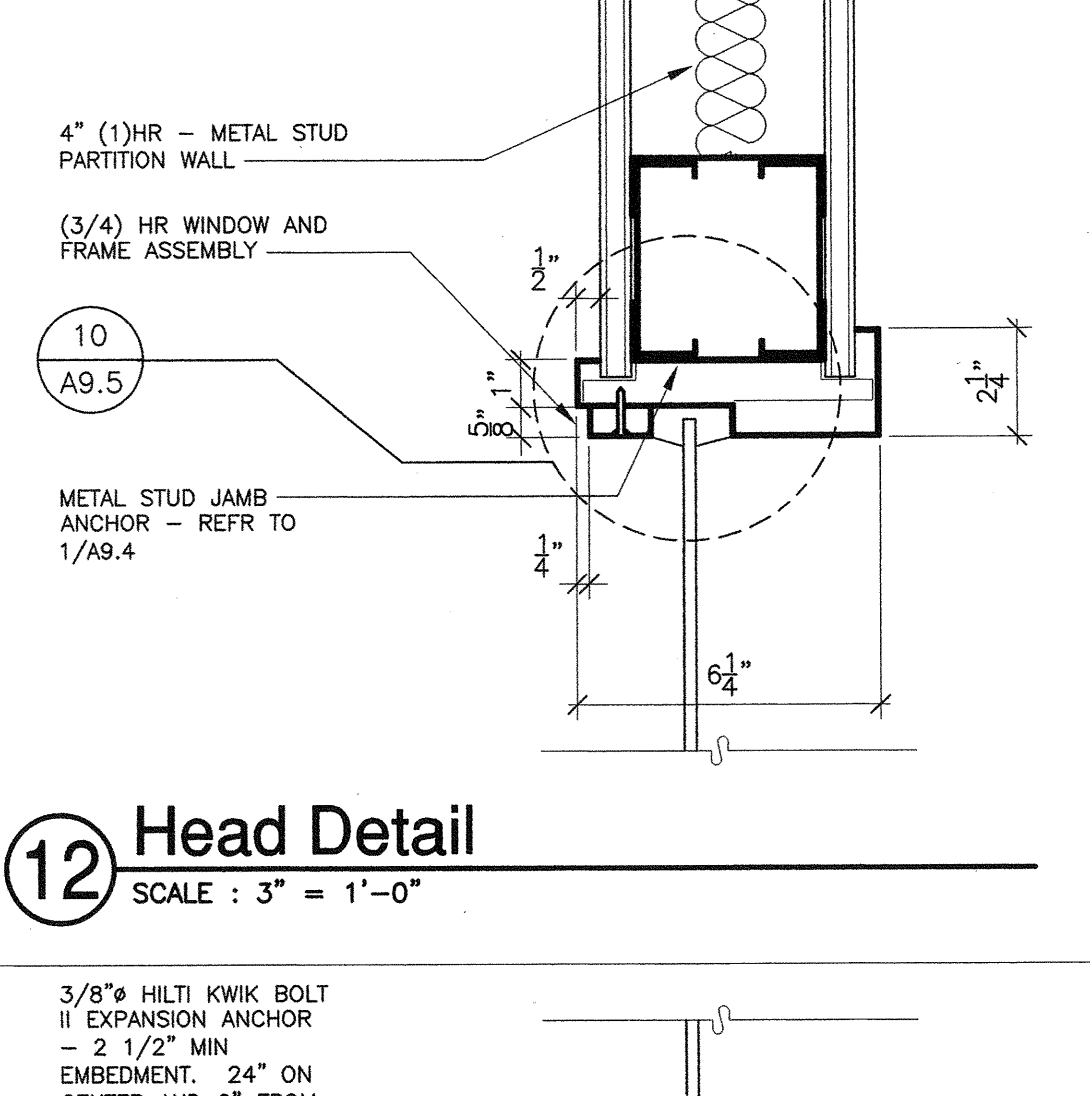
3 (E) Wall Detail
SCALE: 3" = 1'-0"
UBC TABLE 7-B, ITEM 9-1.2 - 2HR



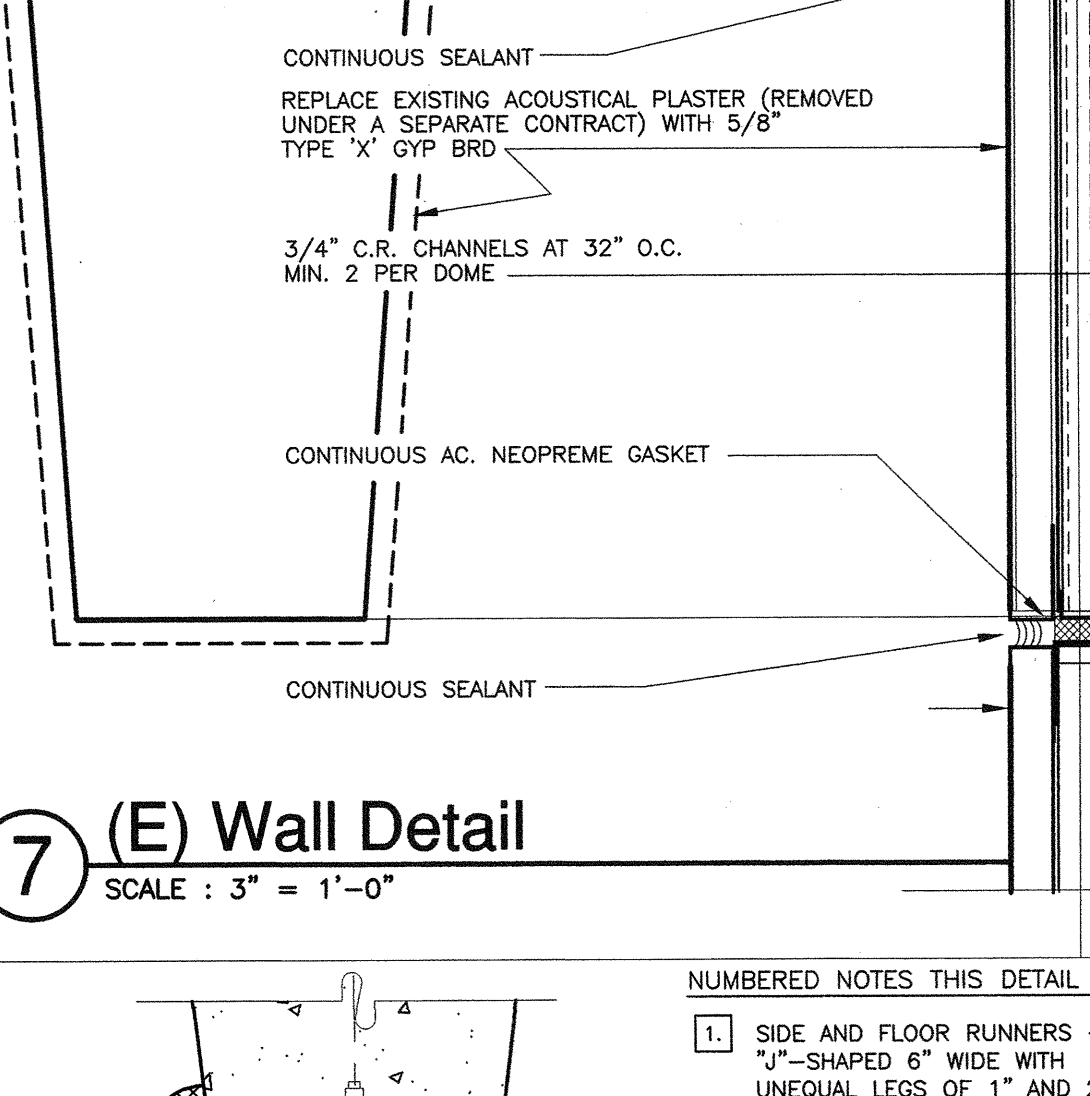
22 HANDRAIL WALL BRACKET
SCALE: 3" = 1'-0"



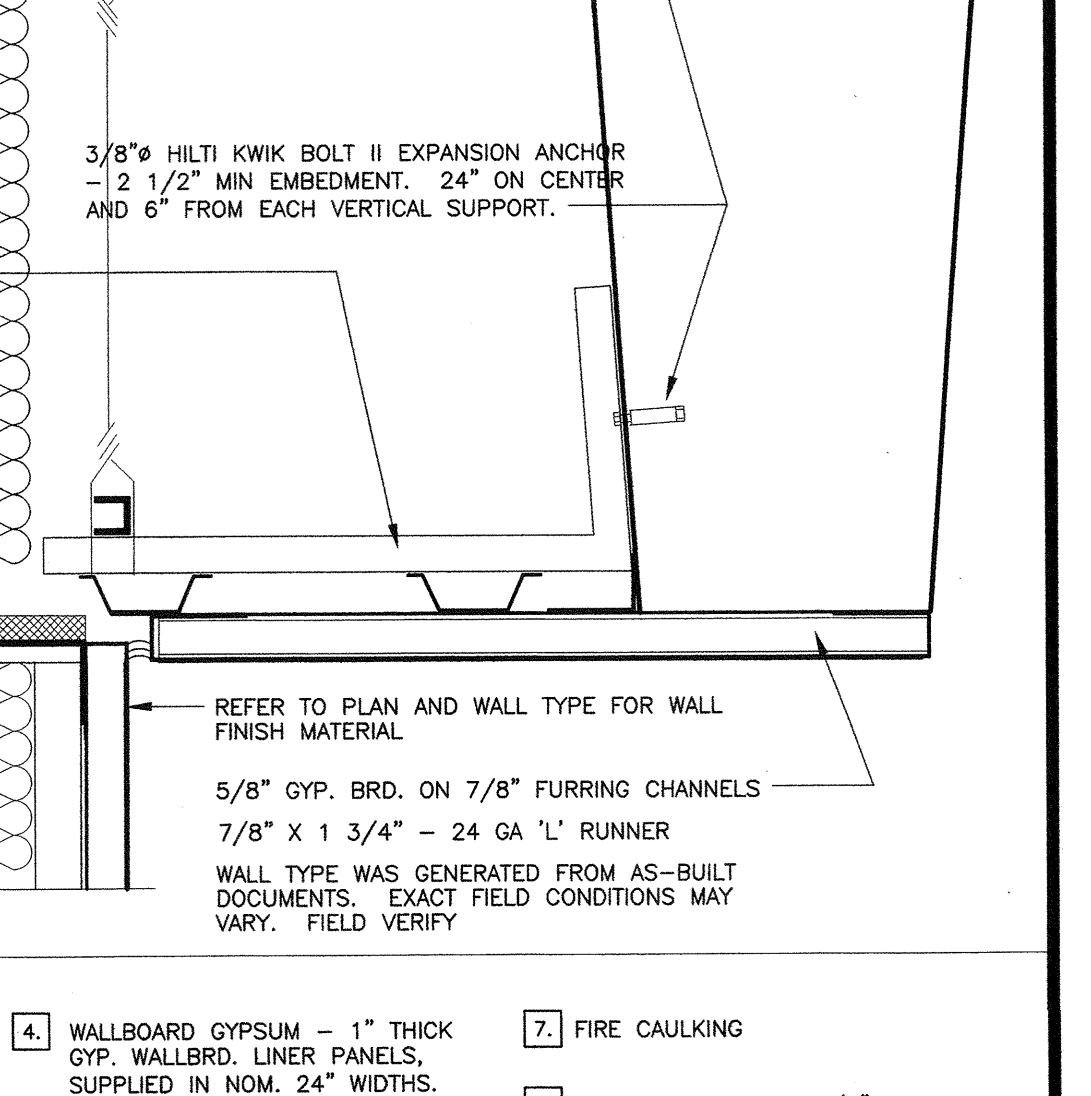
17 Pilaster / Jamb Detail
SCALE: 3" = 1'-0"



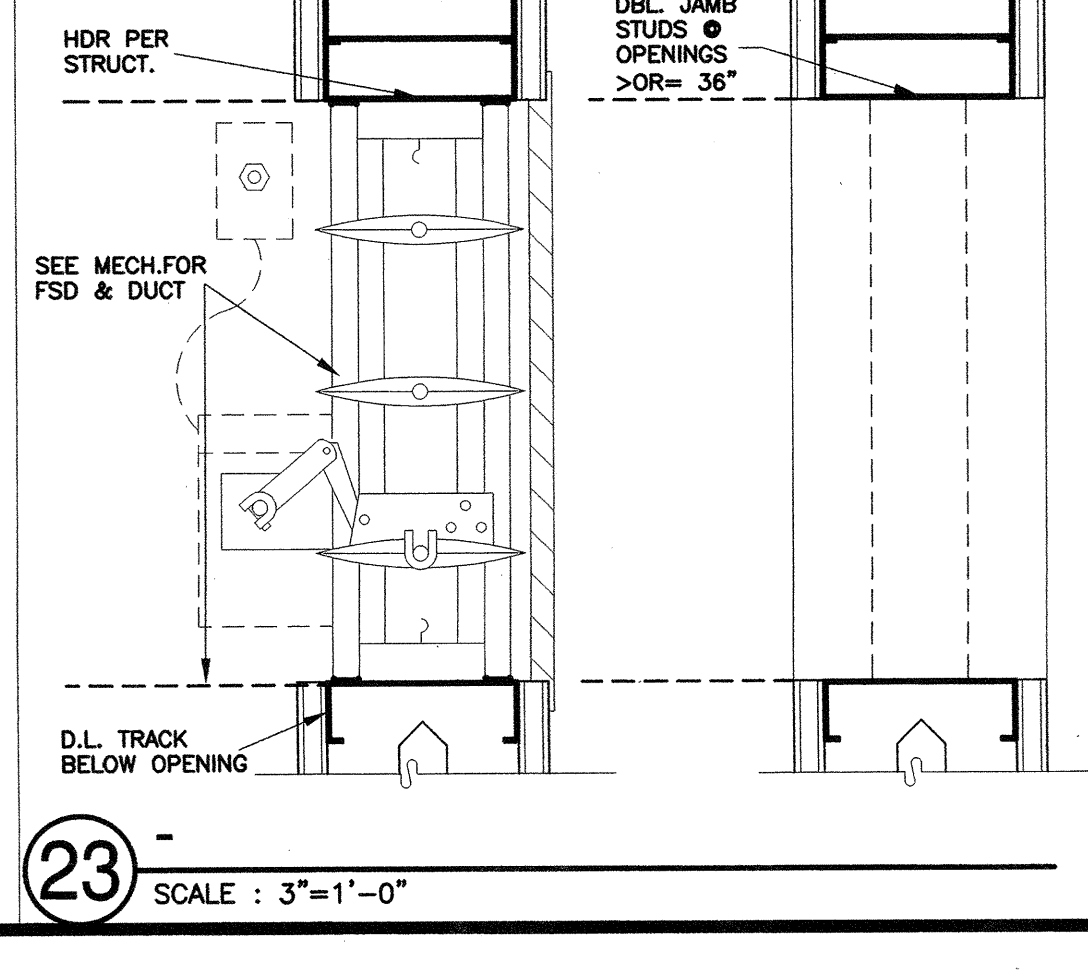
12 Head Detail
SCALE: 3" = 1'-0"



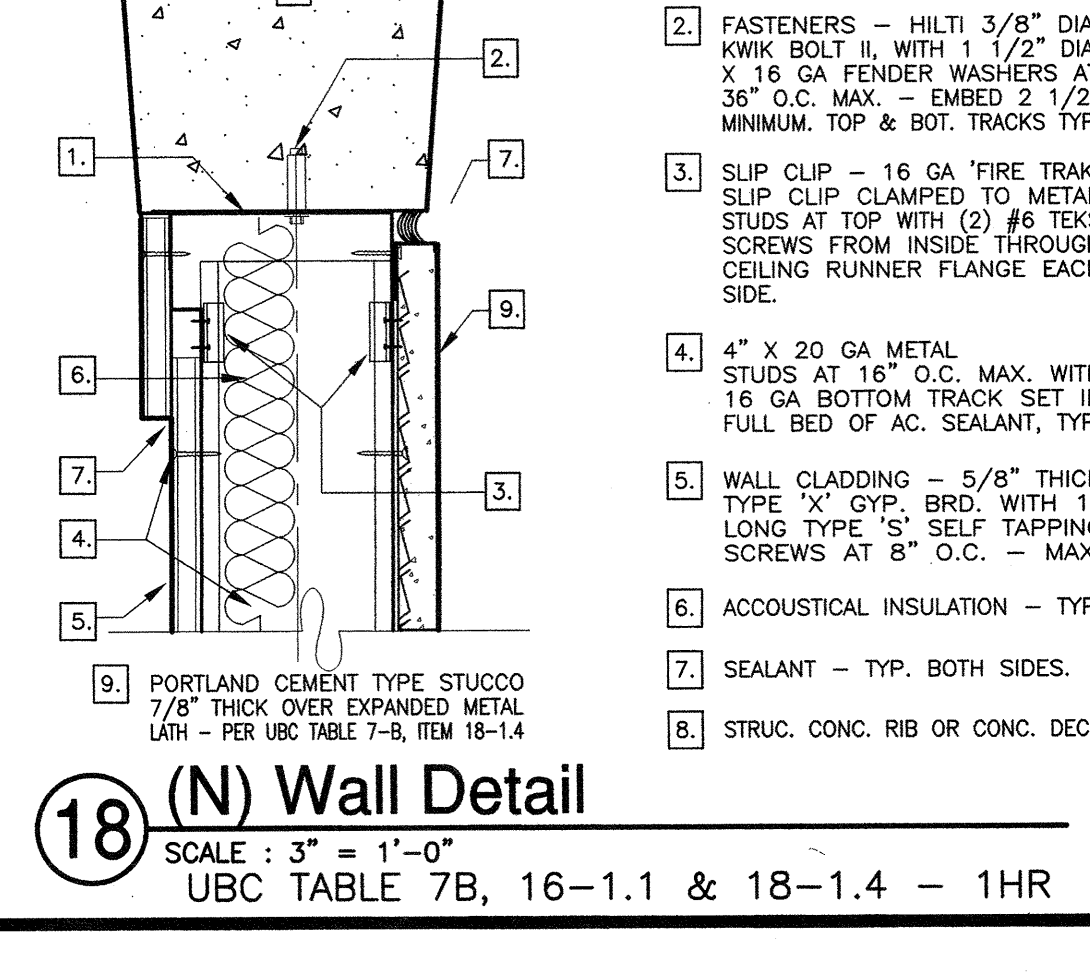
7 (E) Wall Detail
SCALE: 3" = 1'-0"



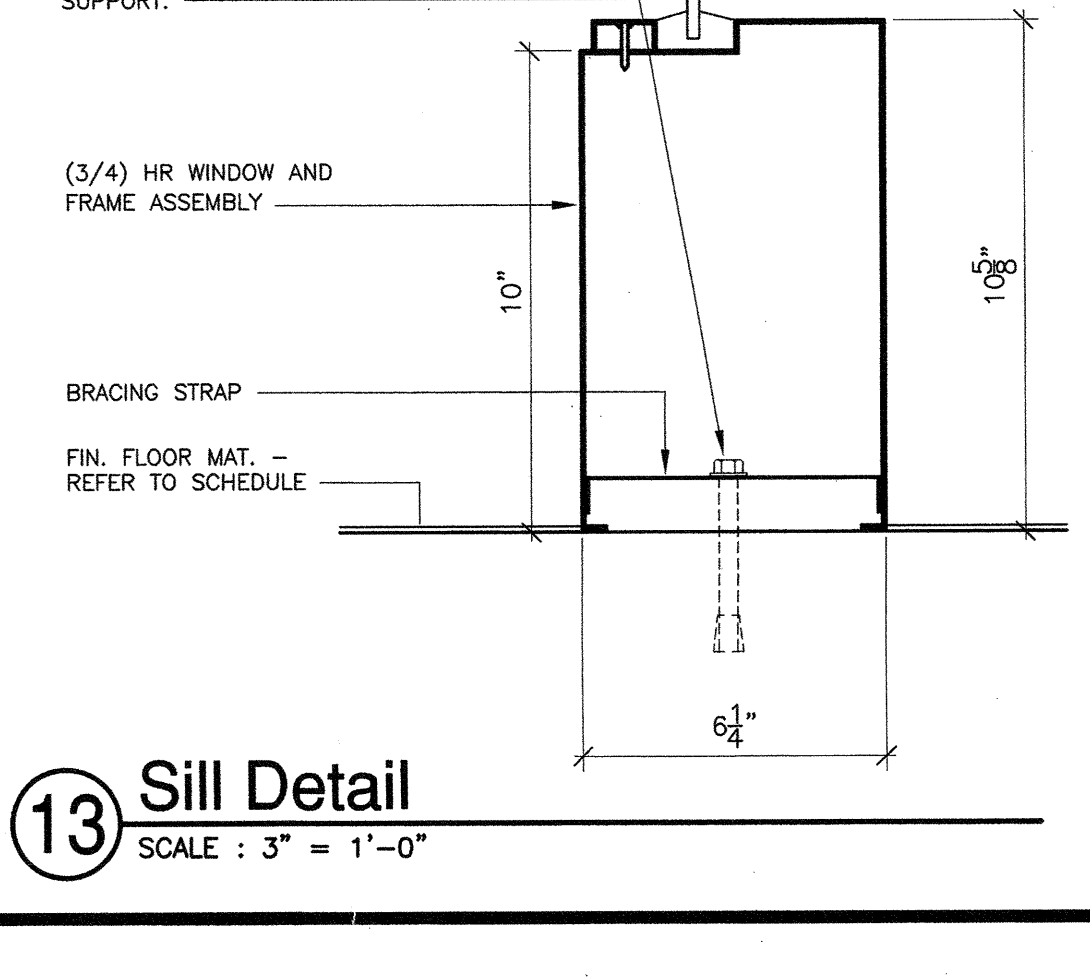
8 (E) Wall Detail
SCALE: 3" = 1'-0"



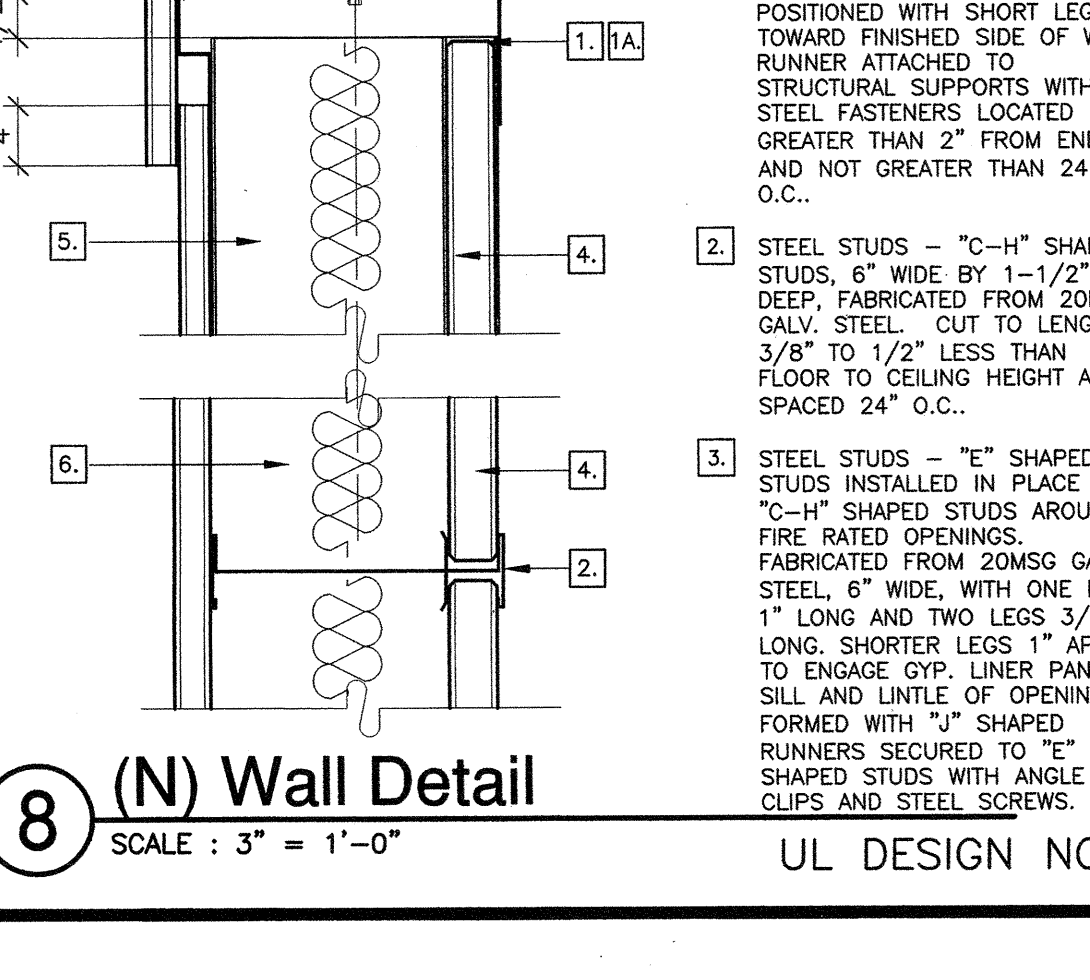
23
SCALE: 3" = 1'-0"



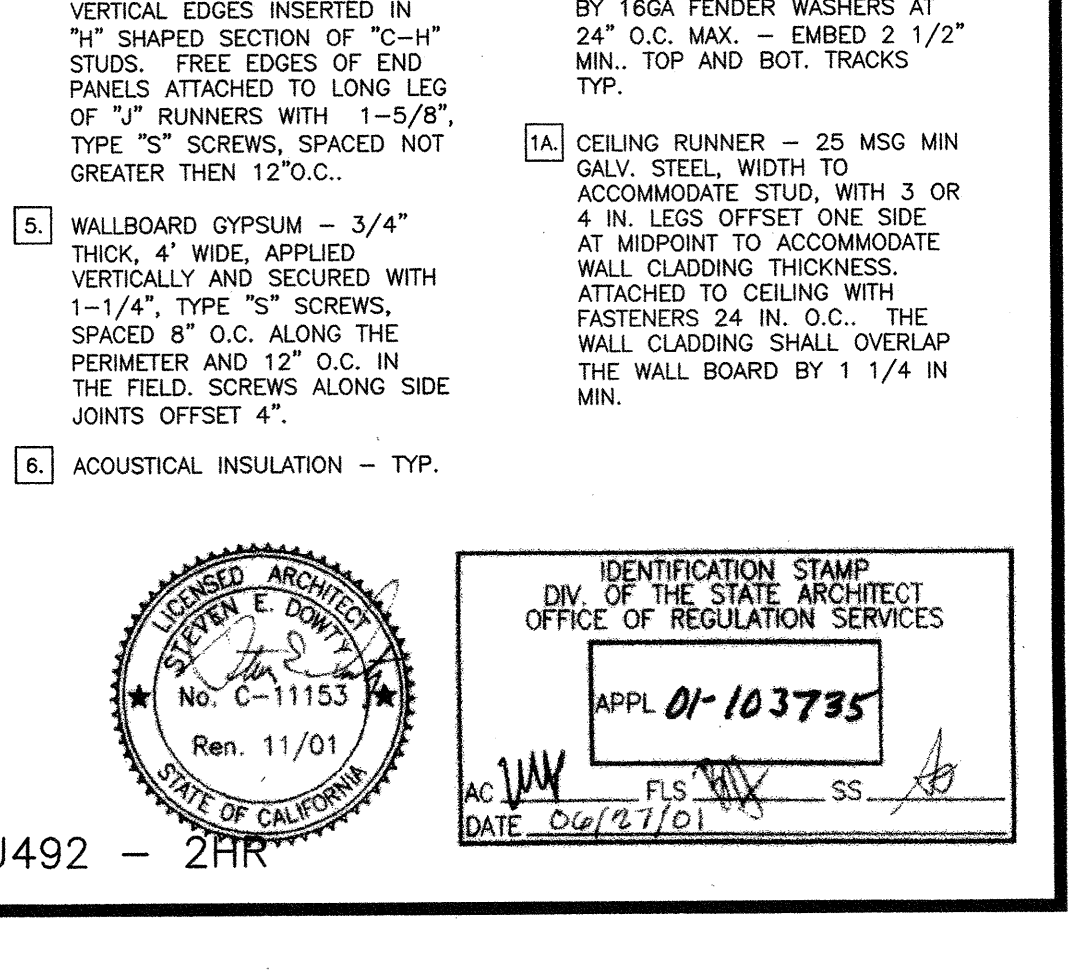
18 (N) Wall Detail
SCALE: 3" = 1'-0"
UBC TABLE 7B, 16-1.1 & 18-1.4 - 1HR



13 Sill Detail
SCALE: 3" = 1'-0"



8 (N) Wall Detail
SCALE: 3" = 1'-0"



23
SCALE: 3" = 1'-0"

NO.	DESCRIPTION	DATE	BY

DRAWN	LJL
CHECKED	SD
DATE	3/21/01
JOB NO.	98-03
SHEET TITLE	WALL DETAILS