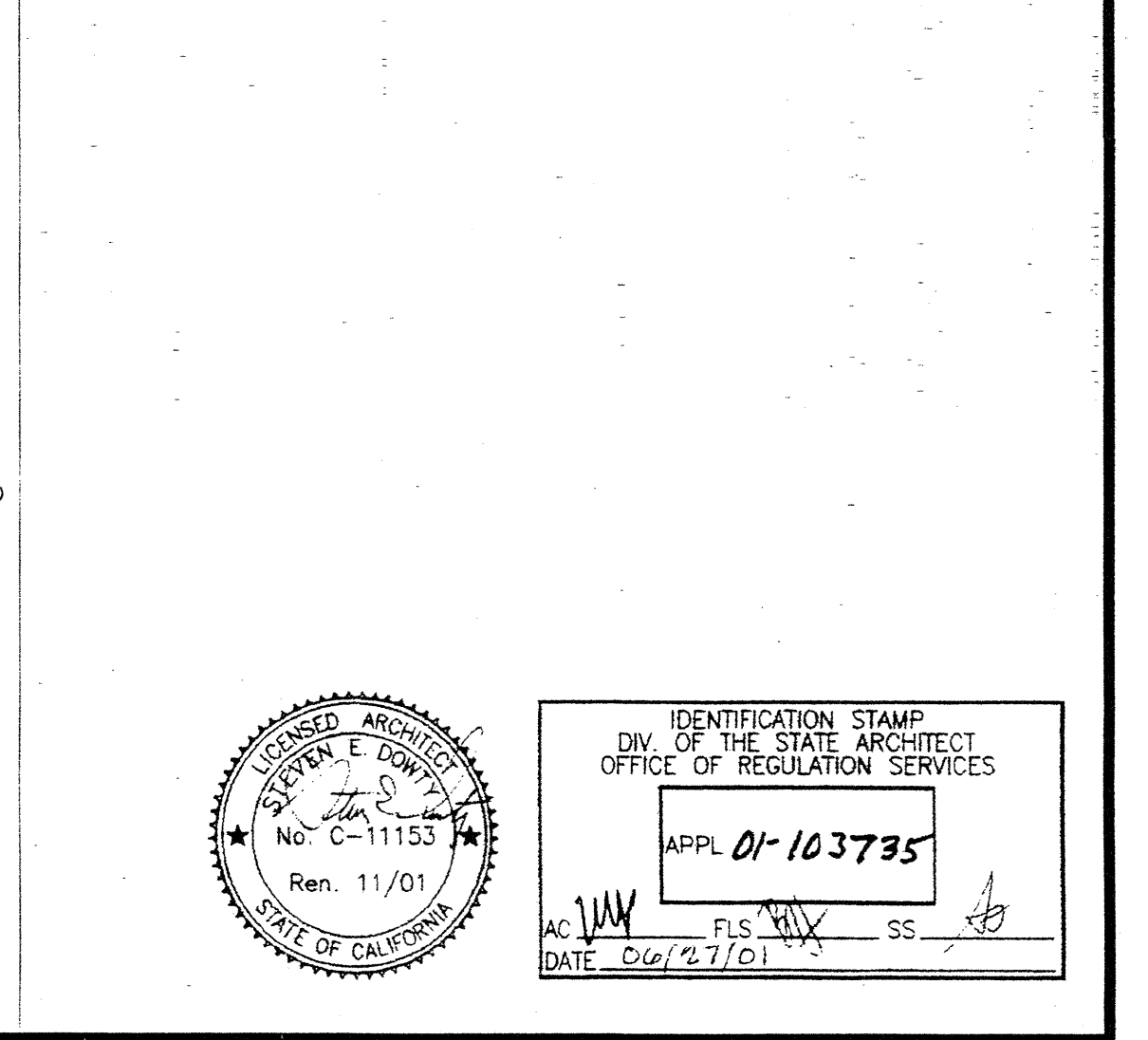
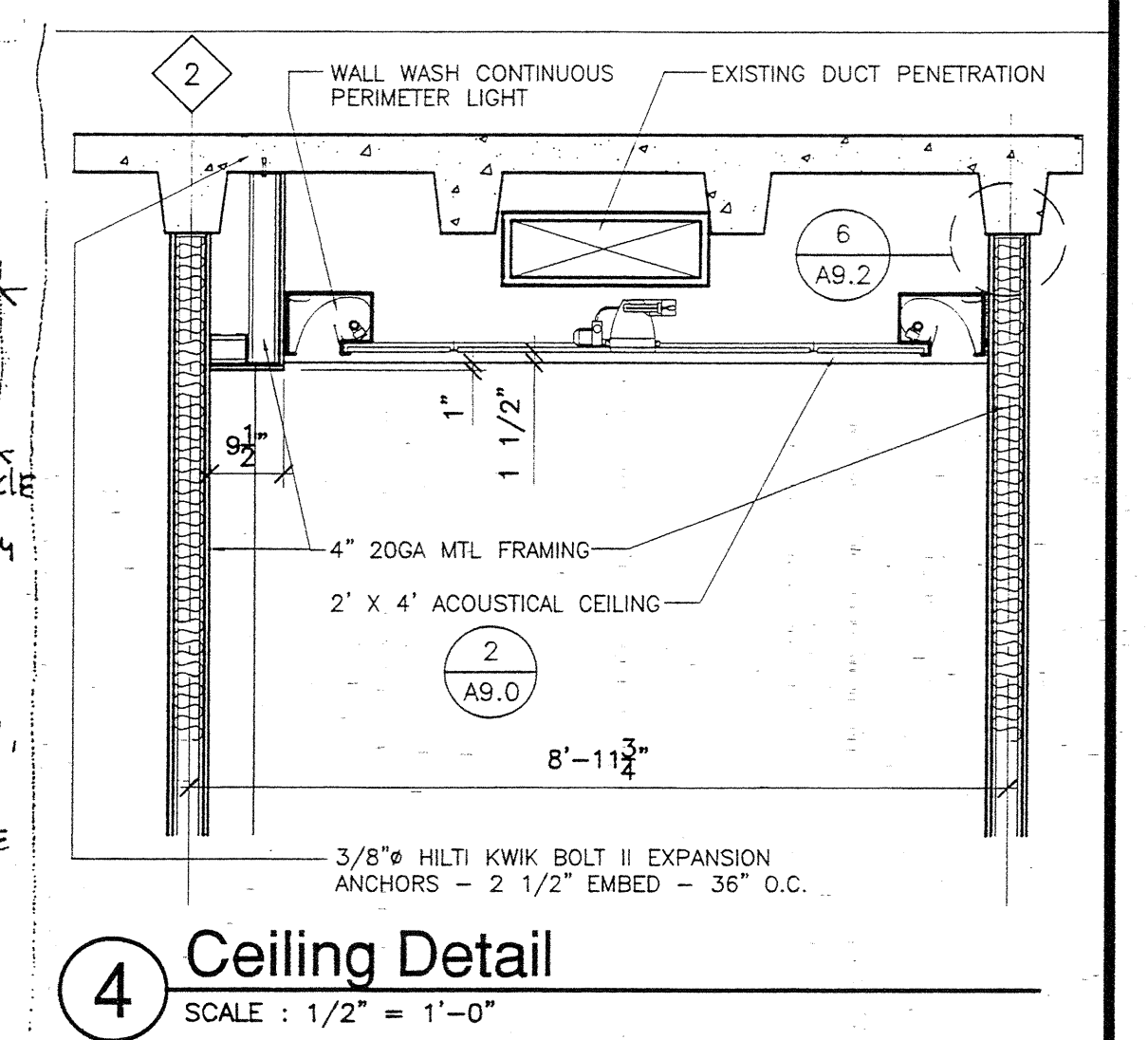
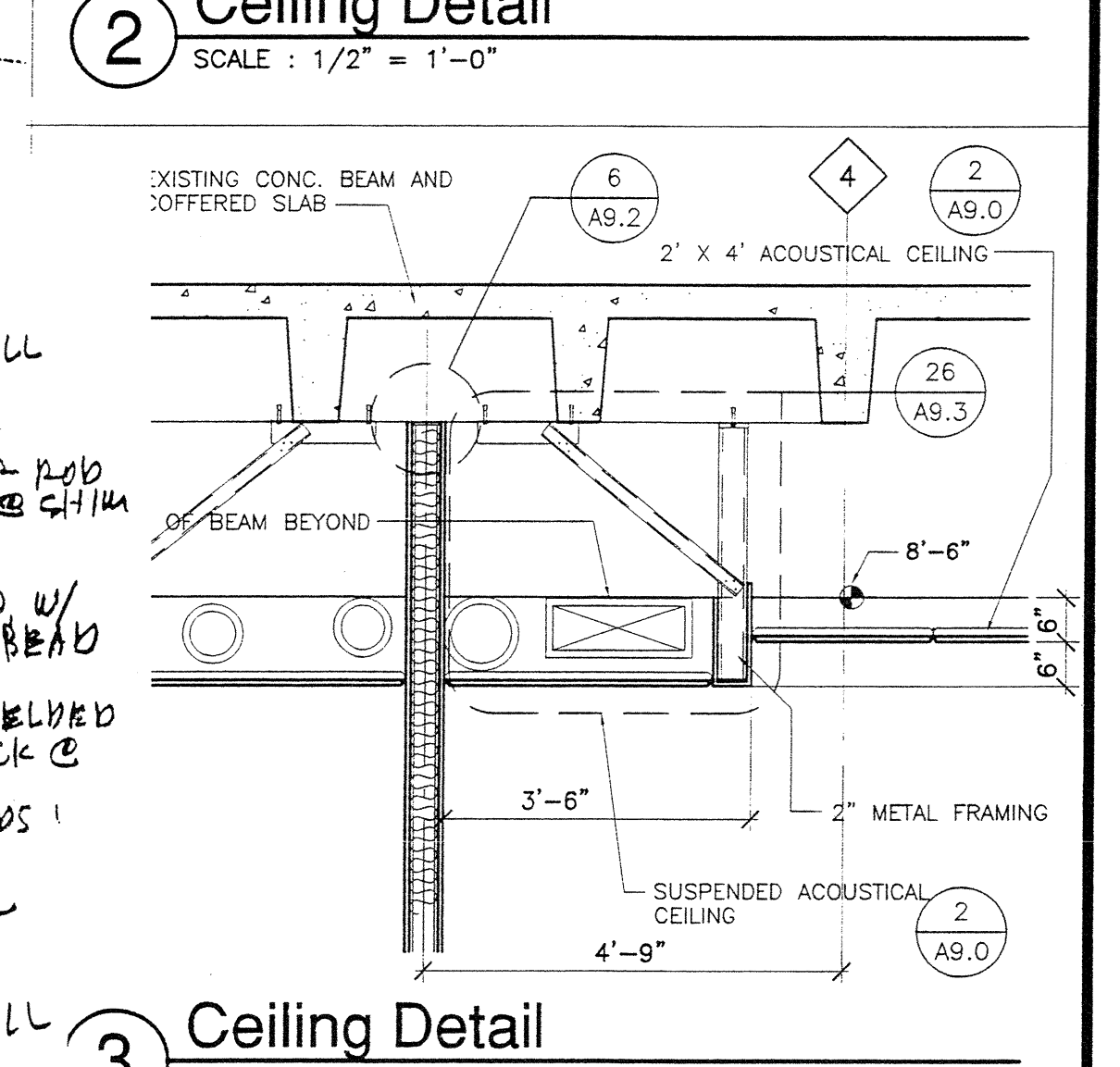
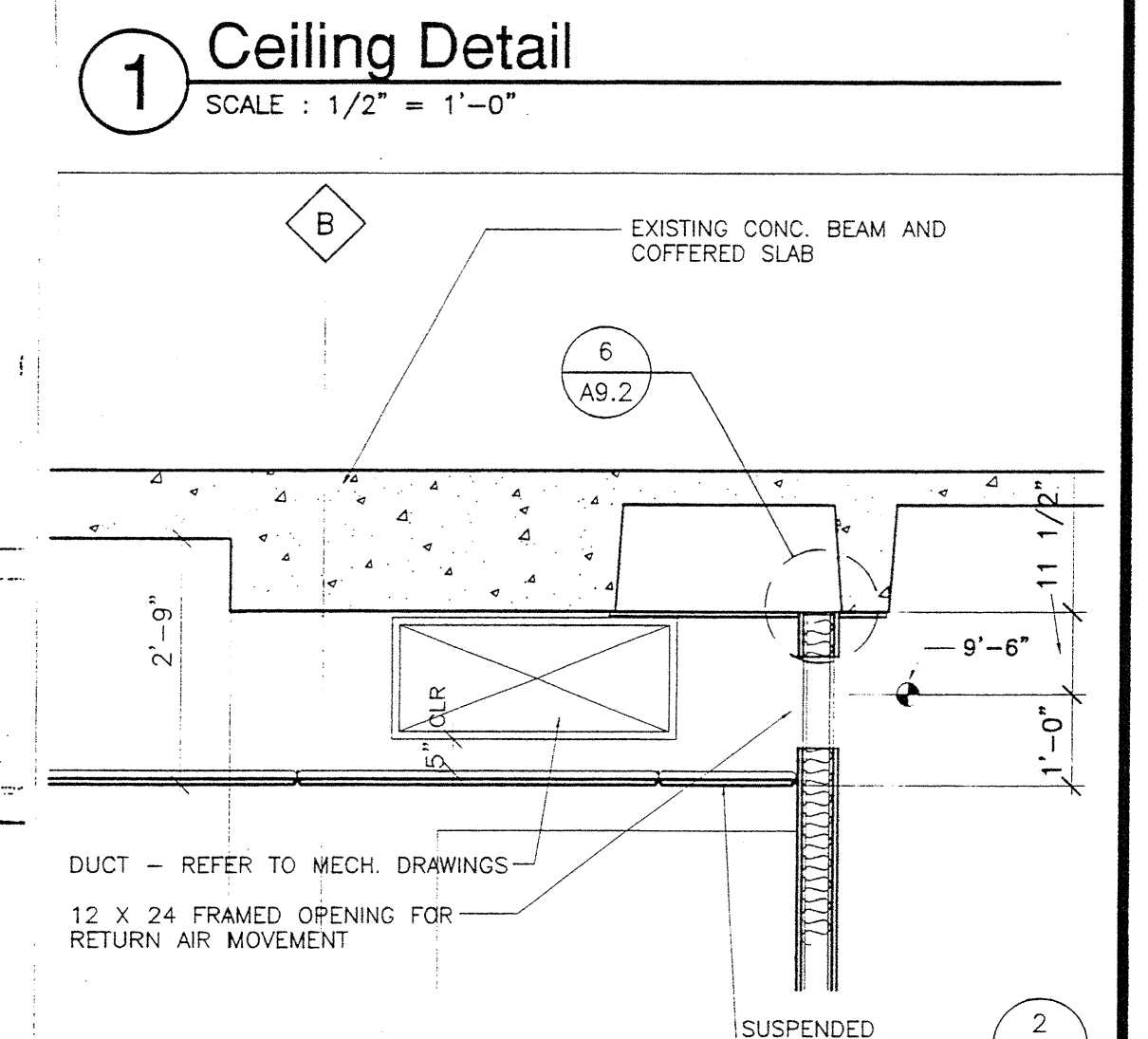
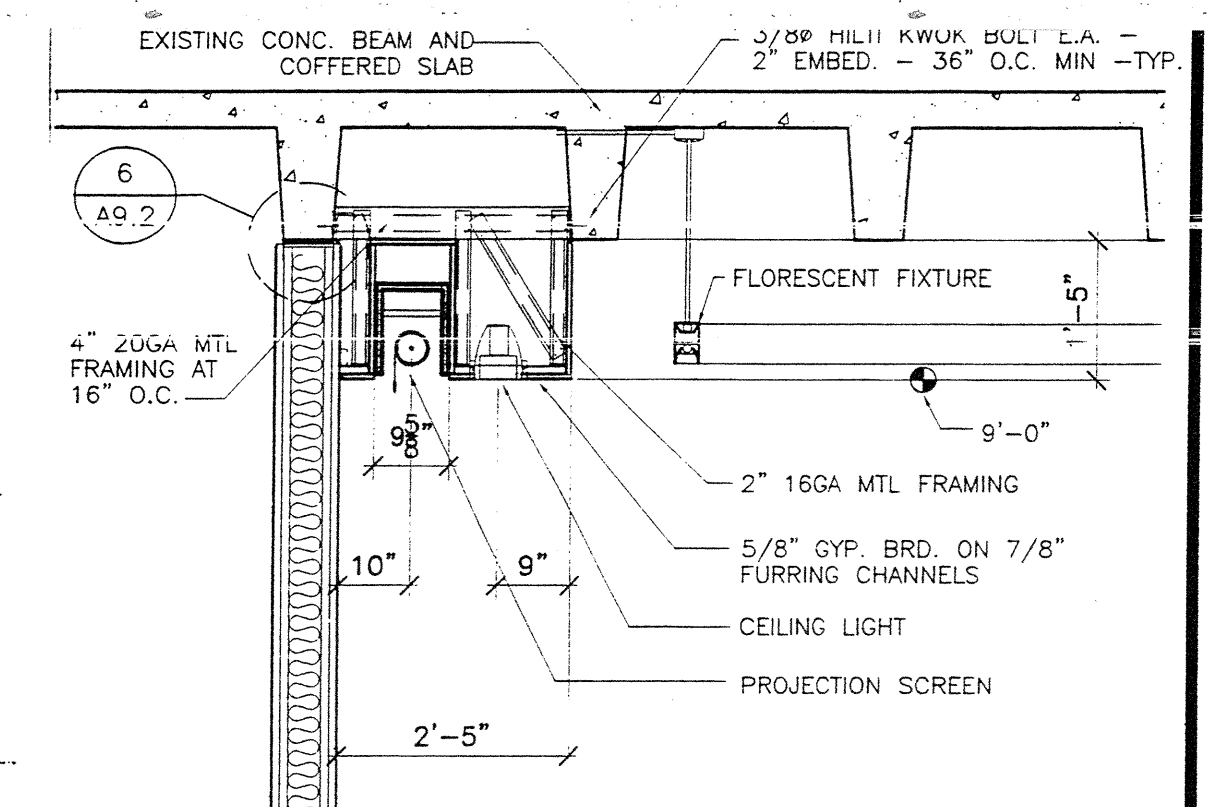
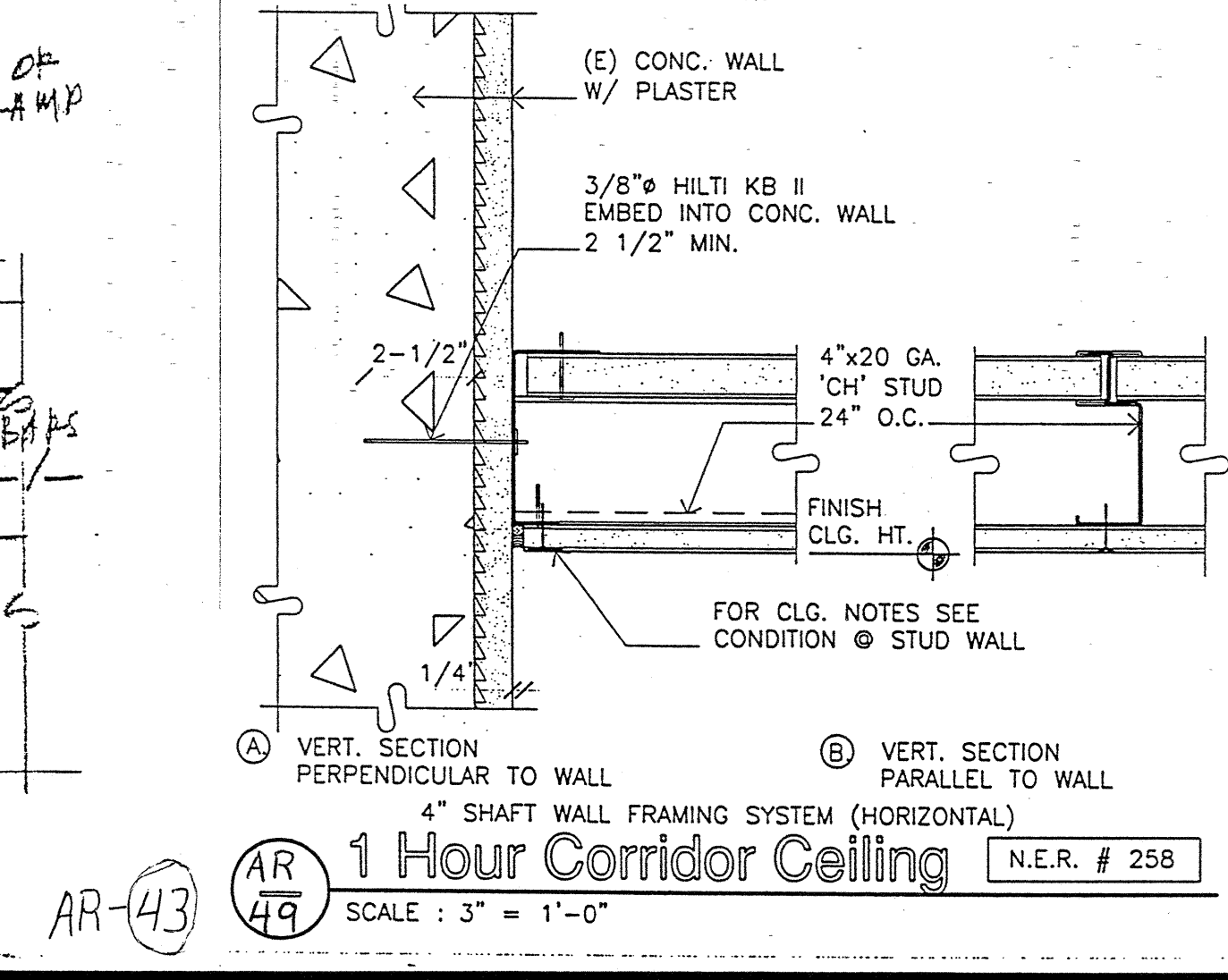
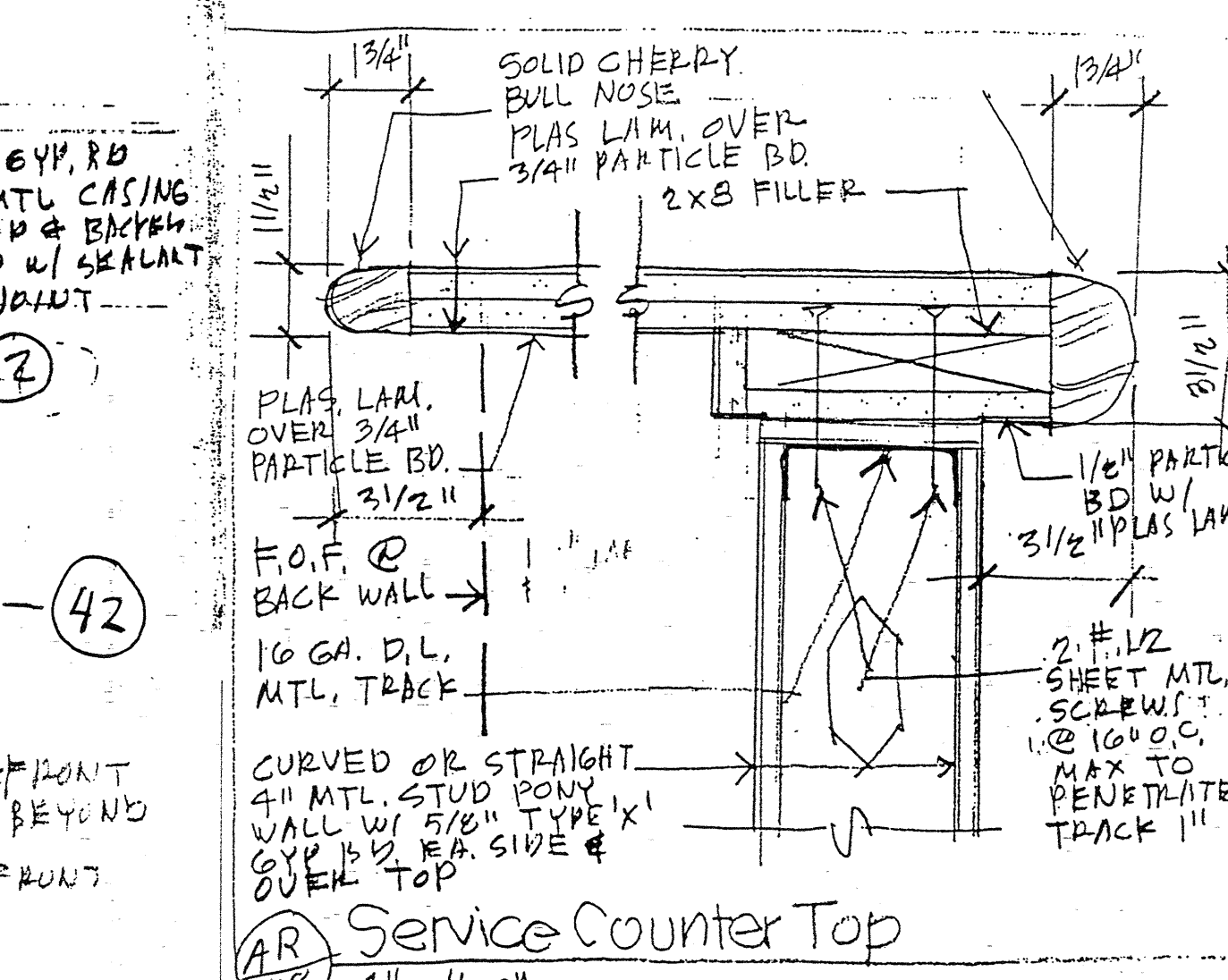
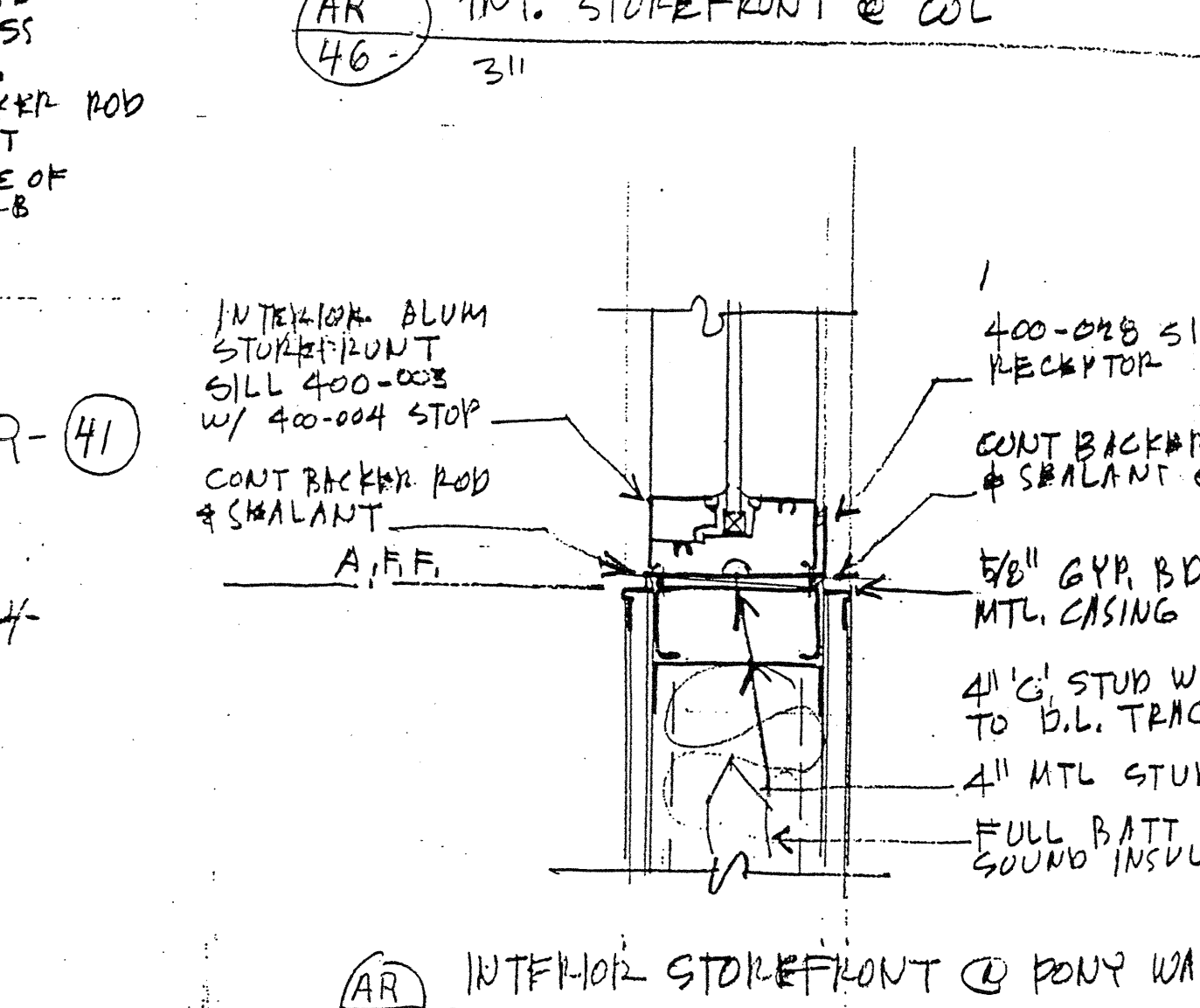
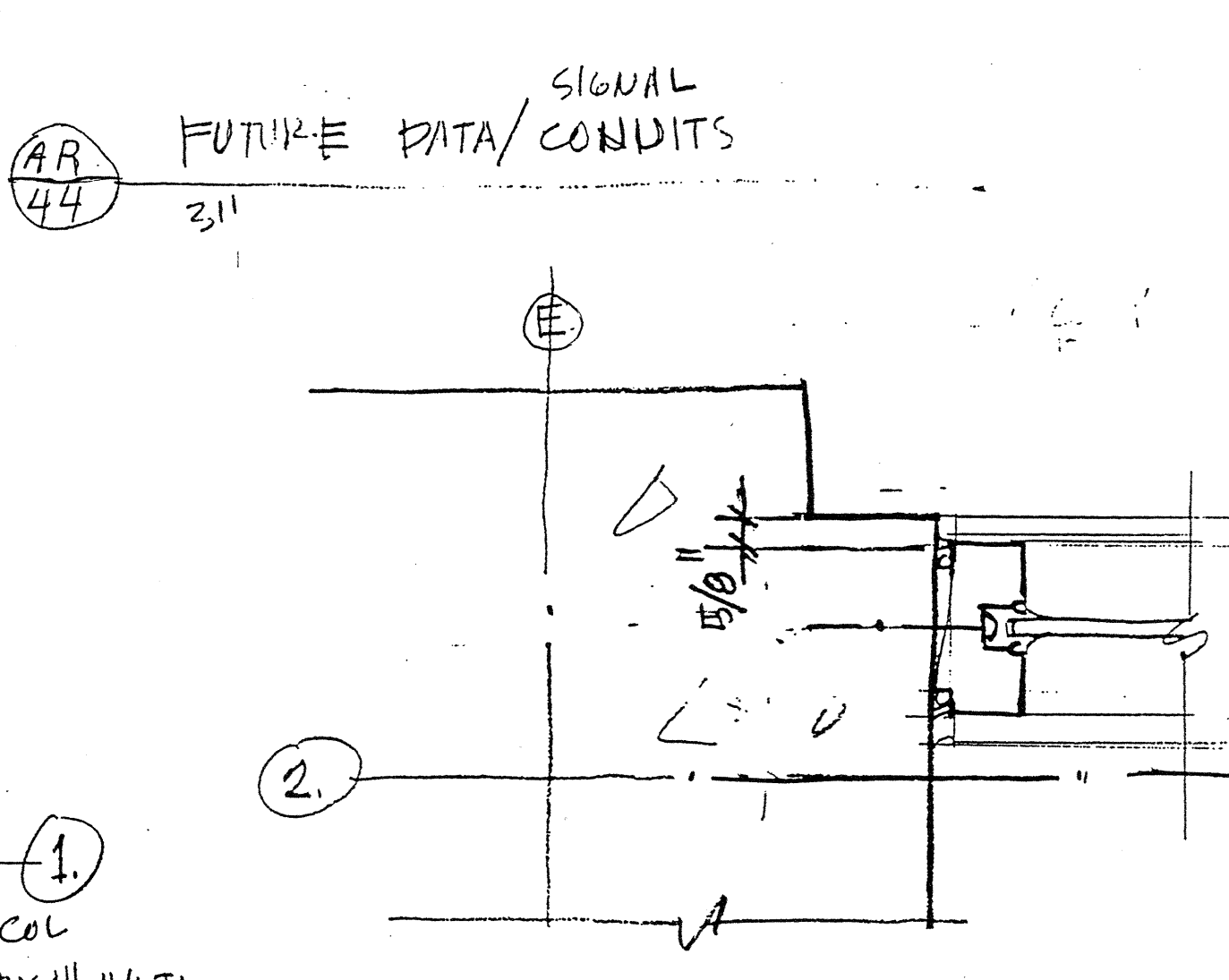
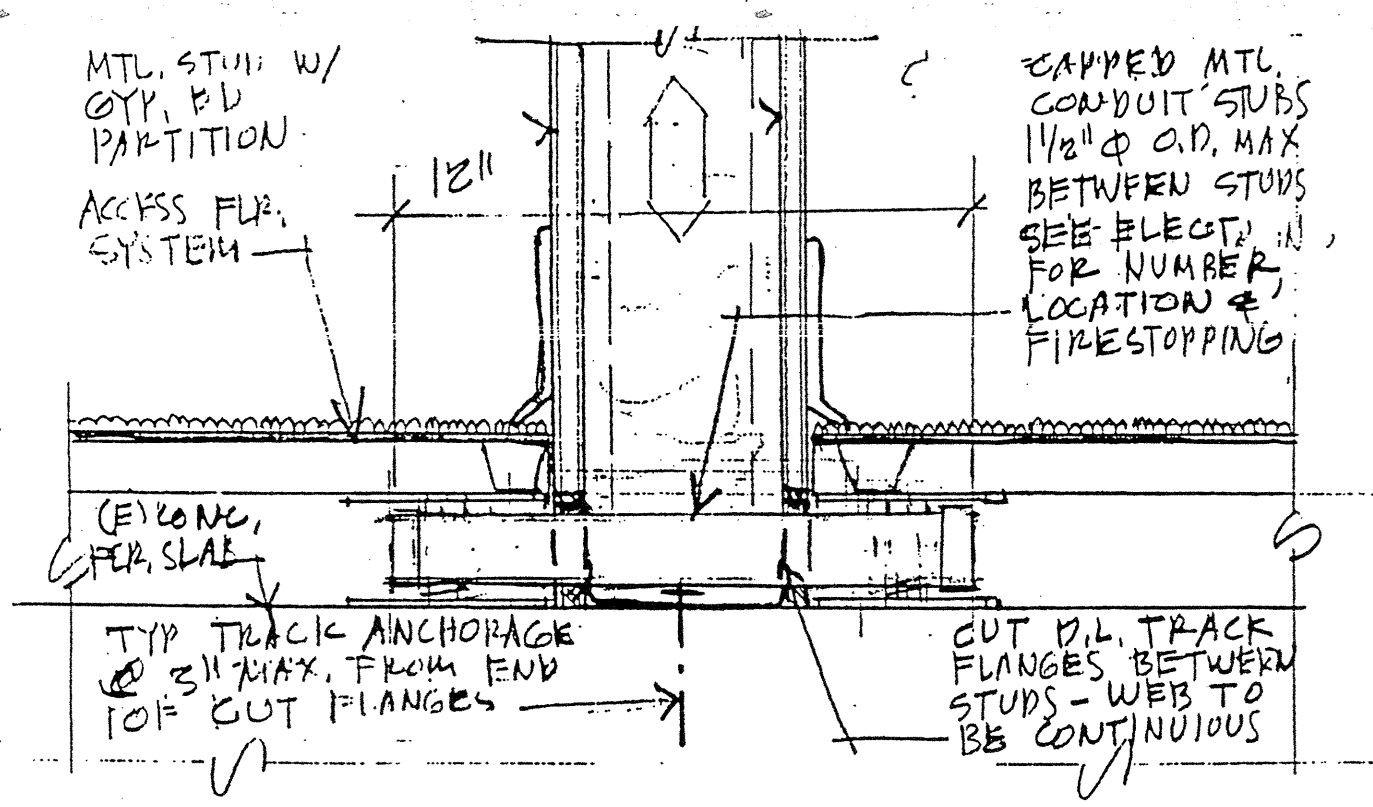
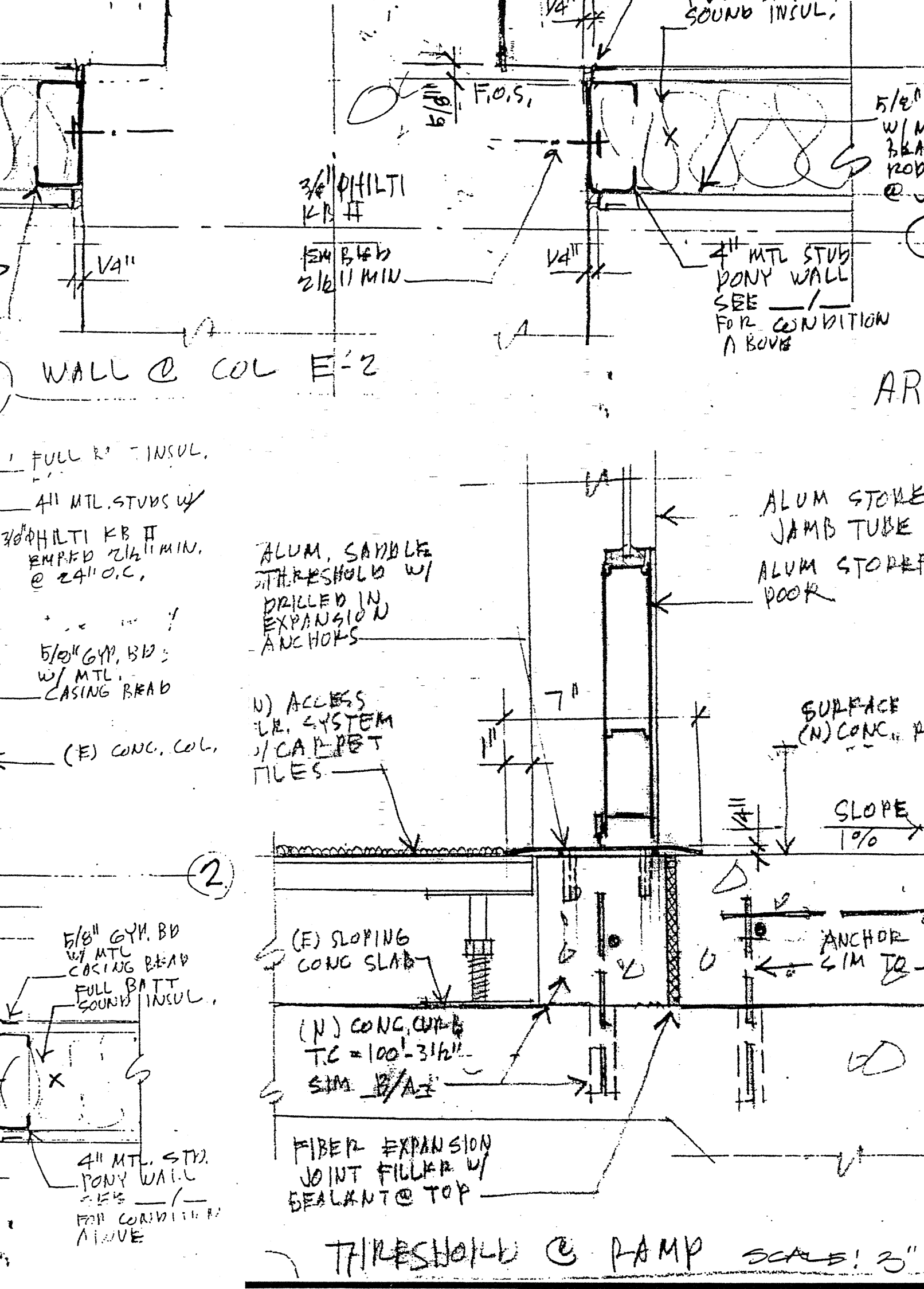
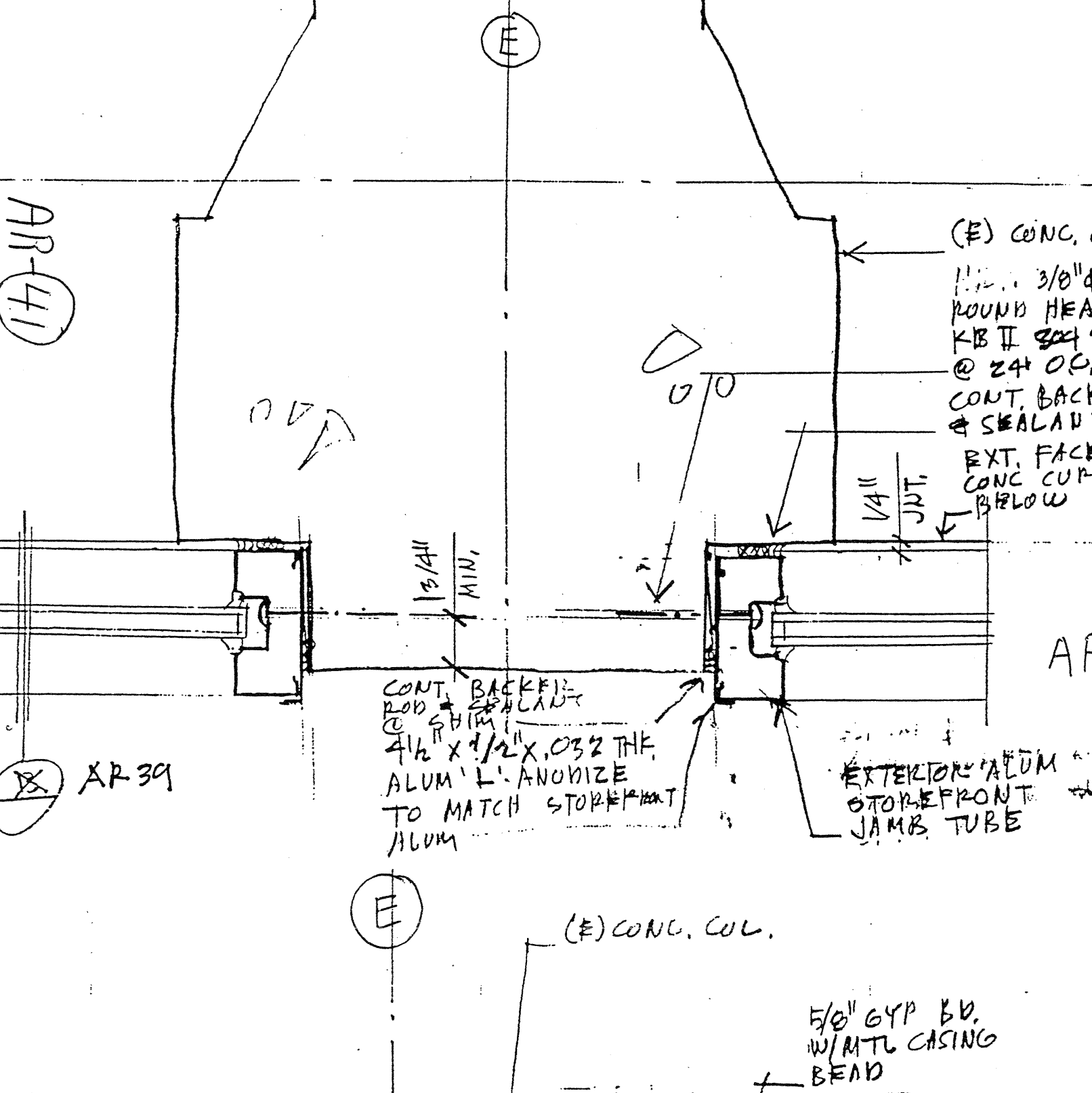
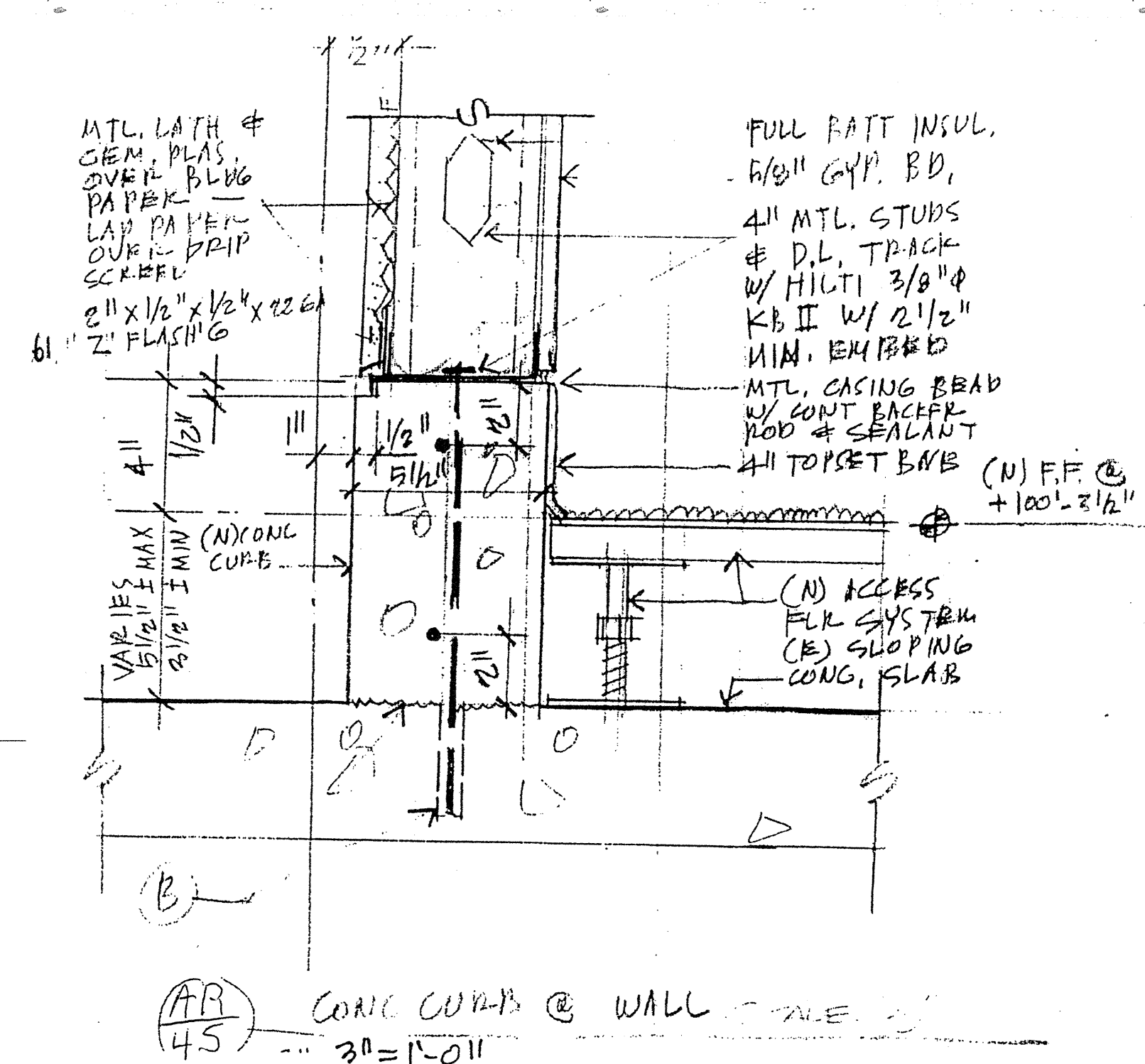
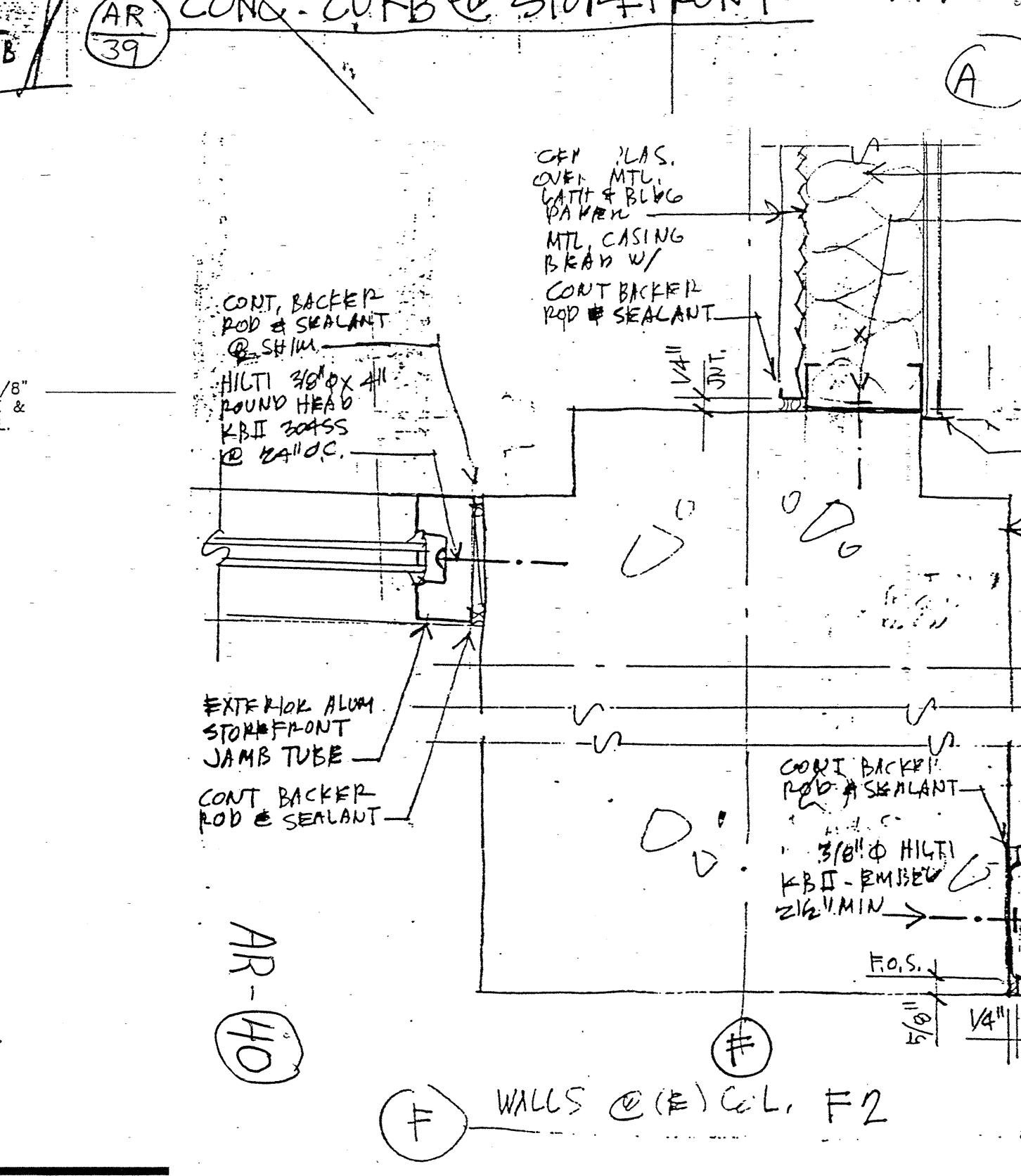
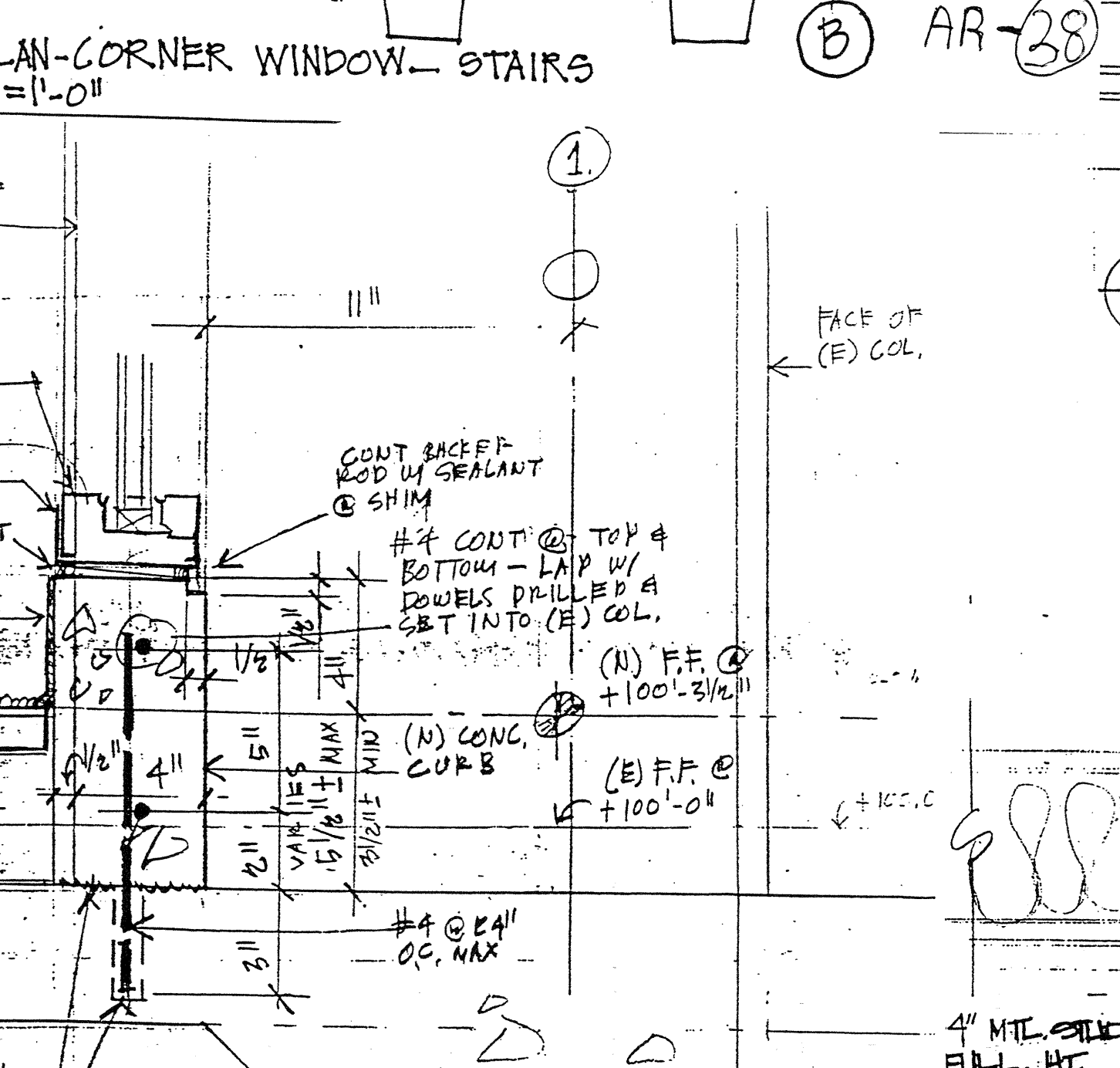
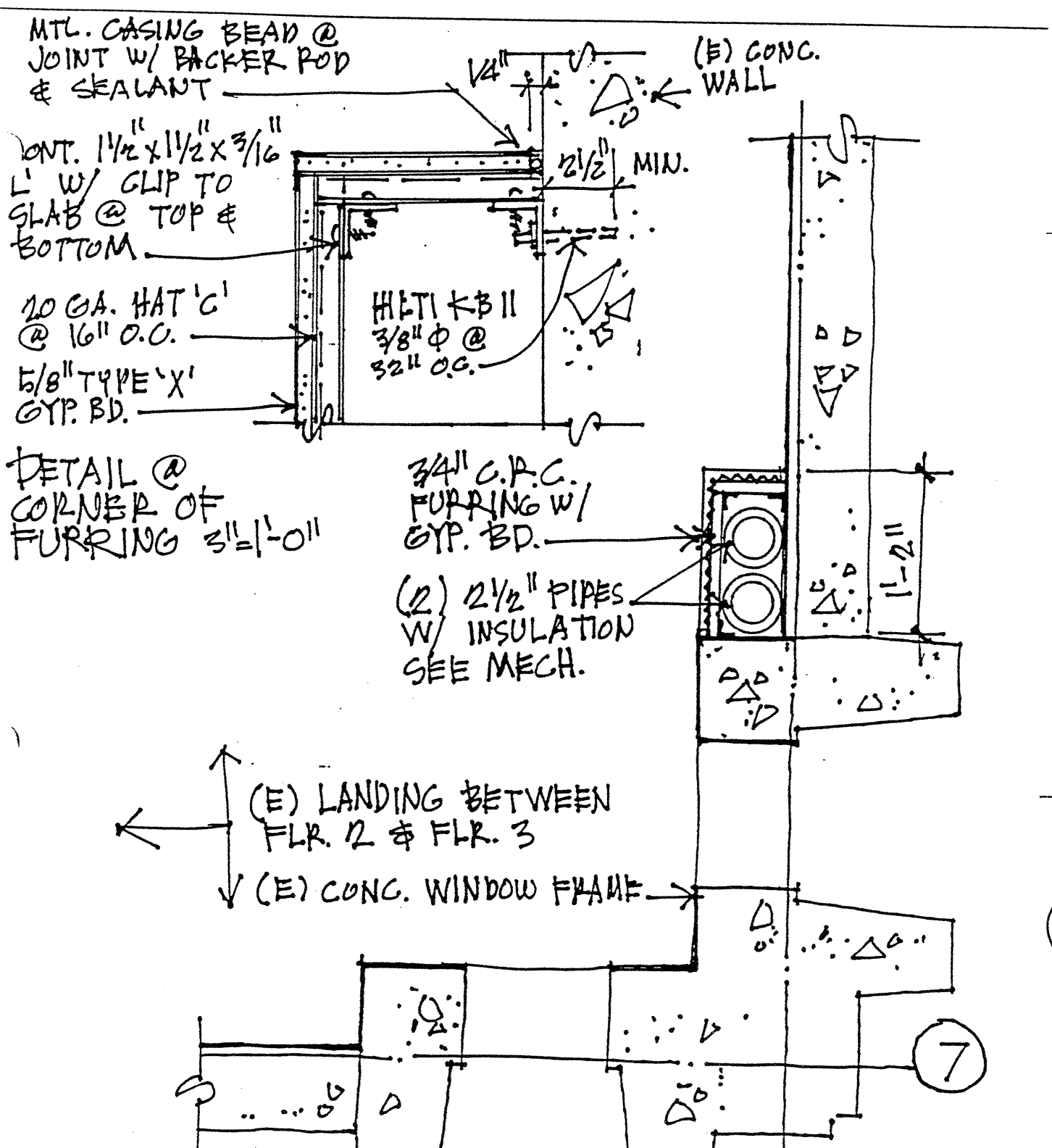
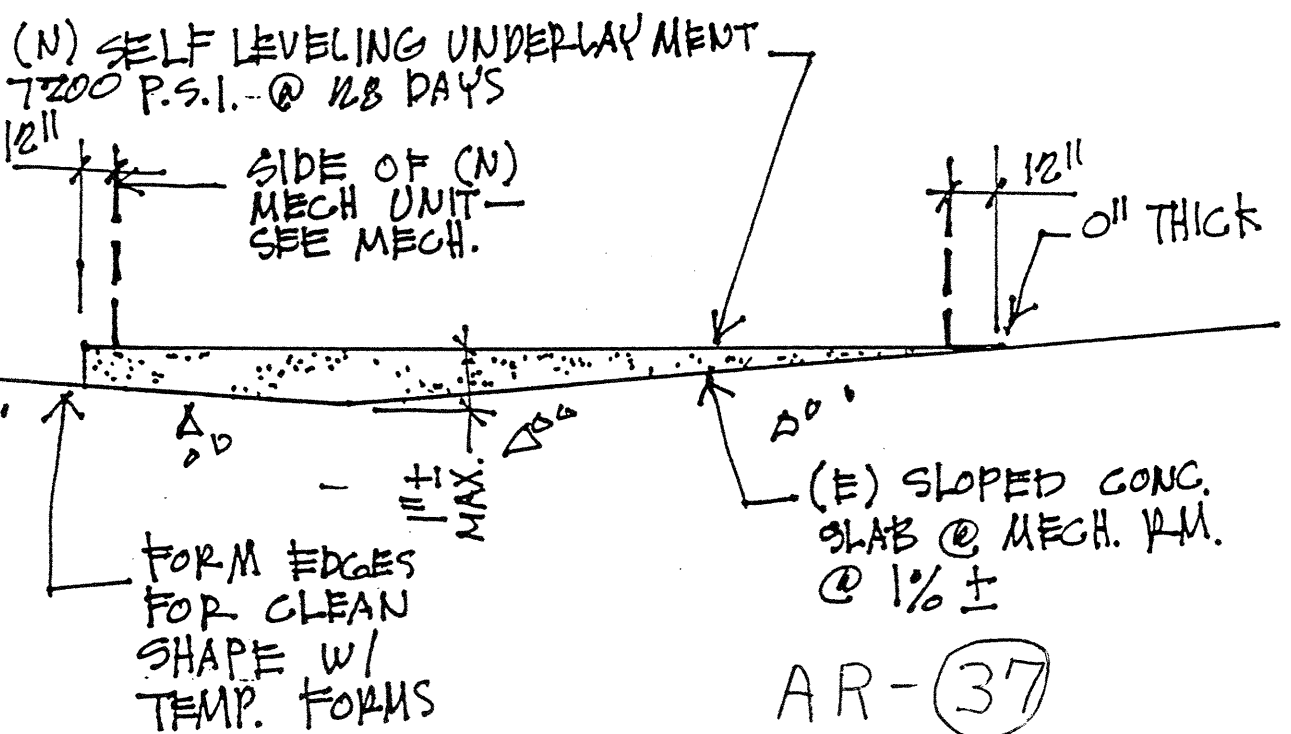


NEW "HIGH STRENGTH CONC. TOPPING" TO BE 'LEVEL-RIGHT PLUS': Polymer Modified, Portland-Self-Leveling Underlayment by Maxxon Corp., Hawel, MN. 55340
 Phone 800/505-7887 or 612/478-9600
 Fax 612/478-4431
 E-mail <http://www.maxxon.com>



KRUGER BENSON ZIEMER ARCHITECTS, INC.
 30 W. ARRELLA
 805/963.1725
 SANTA BARBARA, CA 93101

STEVE DOWTY, A.I.A.
 PRINCIPAL IN CHARGE

GERALD SHUSTA
 PROJECT ARCHITECT

All design, design development and construction documents are prepared by and are the property of Kruger-Benson-Ziemer Architects, Inc. and are created, owned and prepared for use only in connection with the specific project. Note of such design, design development or construction documents shall be used or copied in any form, in whole or in part, without the written permission of Kruger-Benson-Ziemer Architects, Inc.

CENTER FOR ADVANCED LEARNING TECHNOLOGY SKYLINE COLLEGE
 SAN MATEO COUNTY COMMUNITY COLLEGE DISTRICT
 SAN BRUNO, CALIFORNIA 94066
 3300 COLLEGE DRIVE

ASBUILTS

NO.	DESCRIPTION	DATE	BY

IDENTIFICATION STAMP
 DIV. OF THE STATE ARCHITECT
 OFFICE OF REGULATION SERVICES
 APPR. 01-103735
 Ren. 11/01
 DATE 01/21/01

DRAWN: LJJ
 CHECKED: SD
 DATE: 3/21/01
 JOB NO: 98-03
 SHEET TITLE: CEILING DETAILS
 SHEET 18
 OF 21