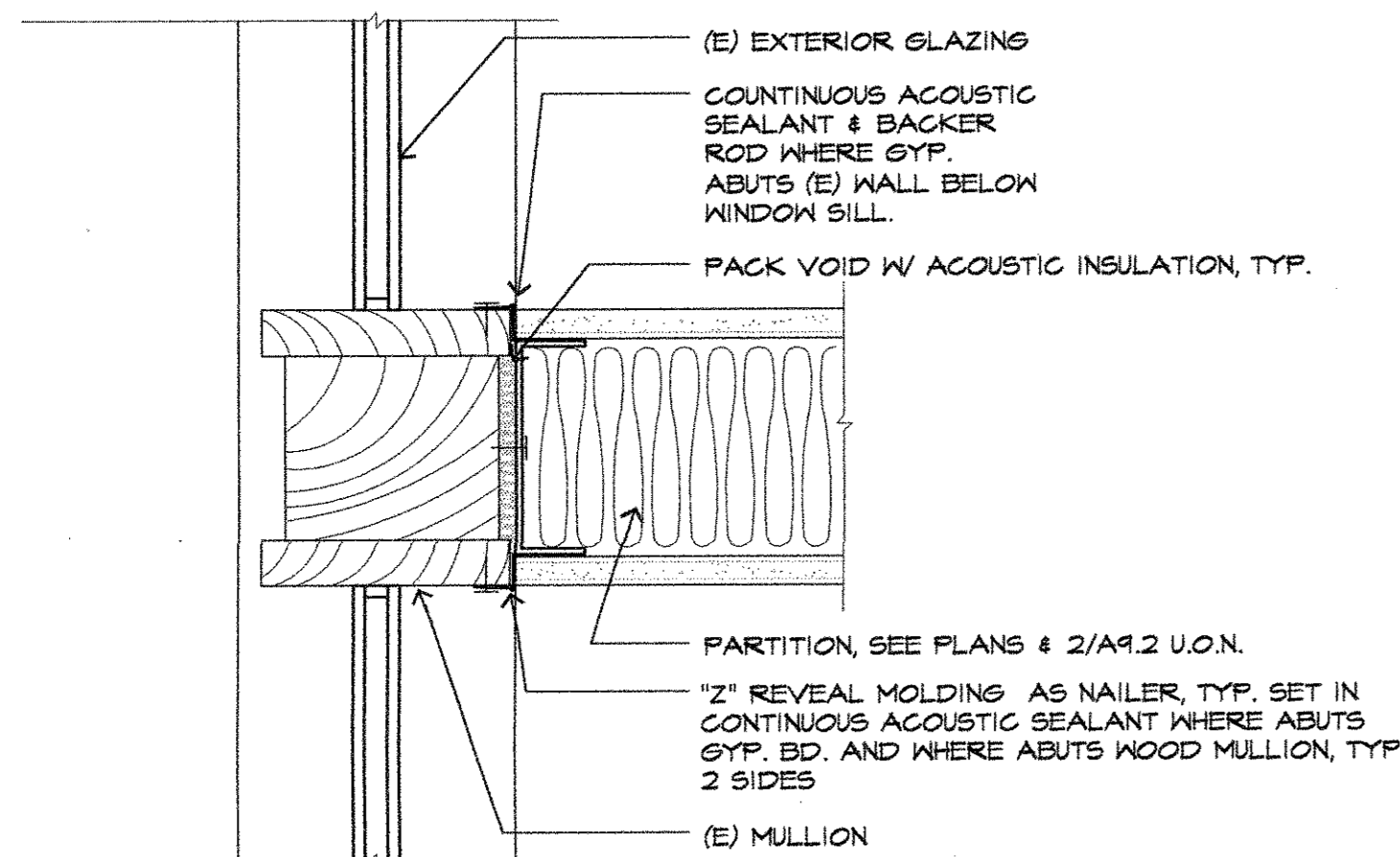
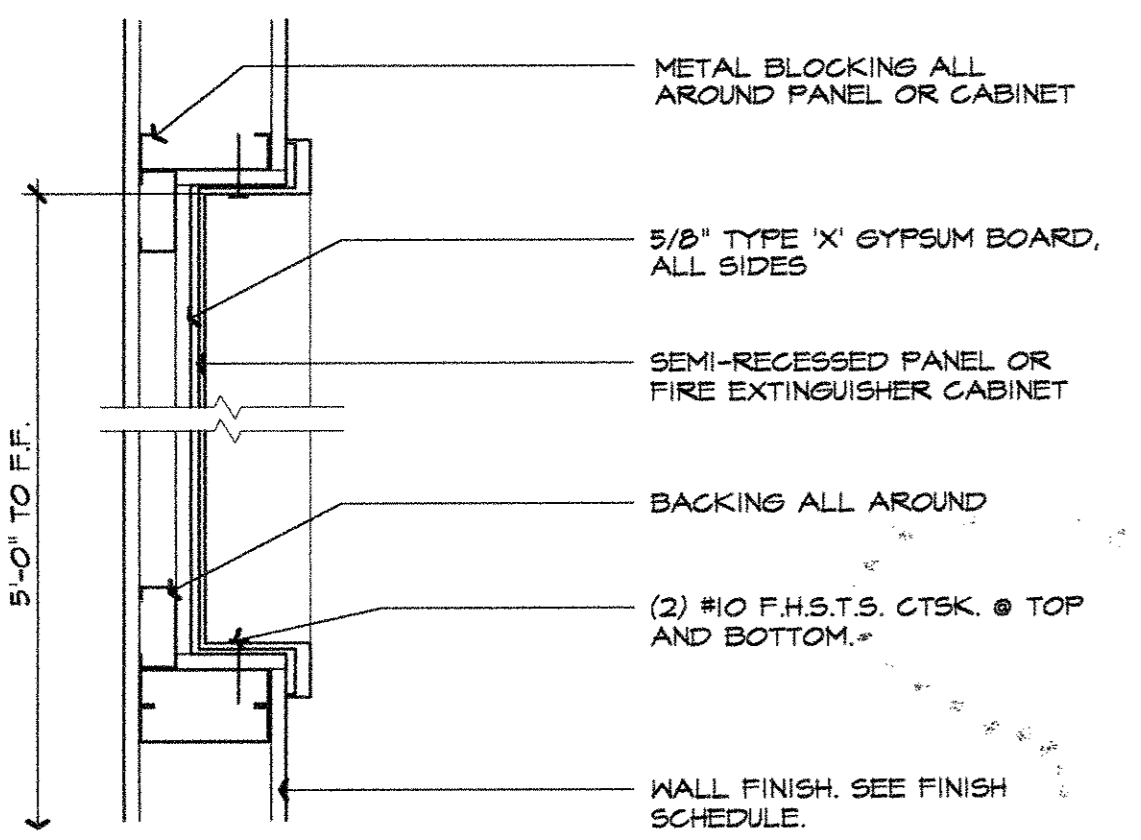


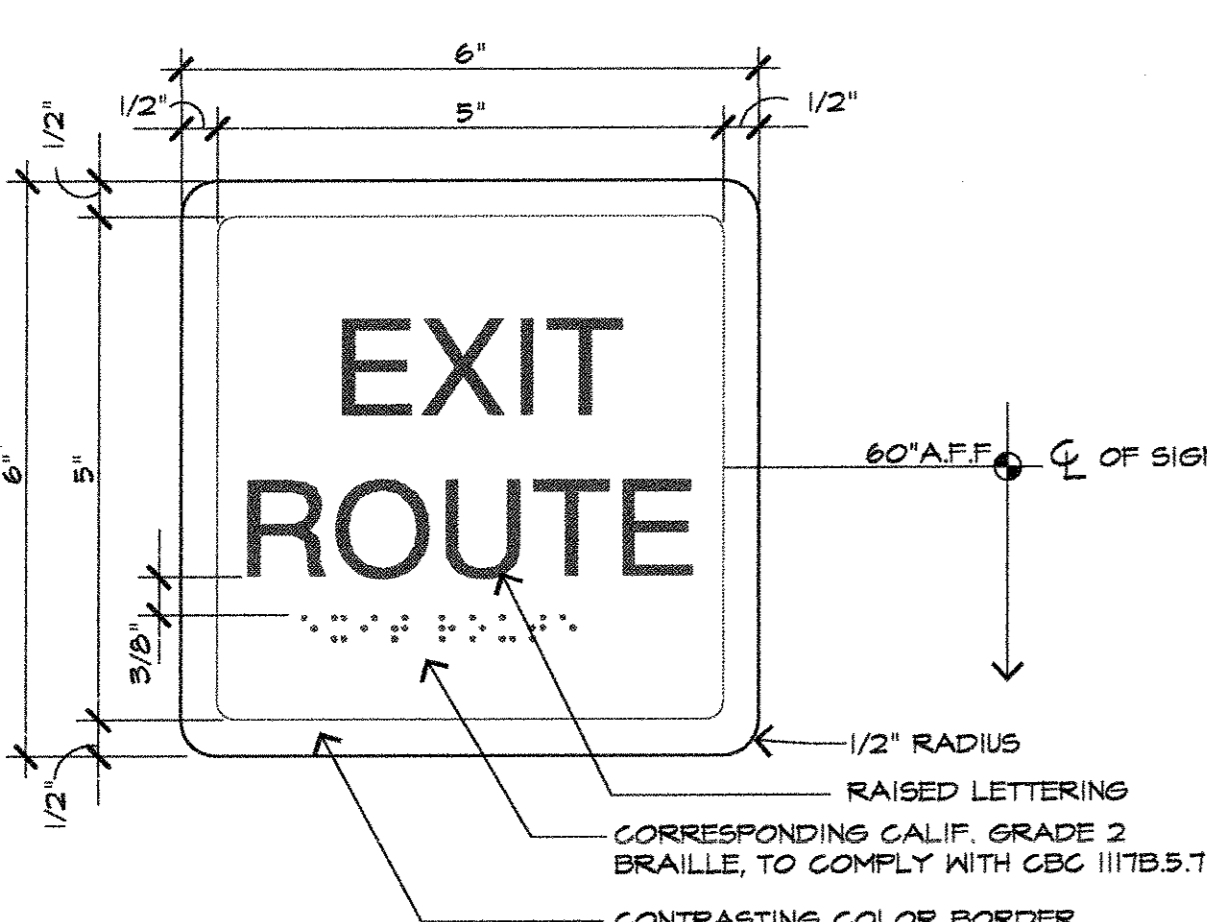
**13 ACCESSIBLE CABINET WITH SINK**  
1"=1'-0"



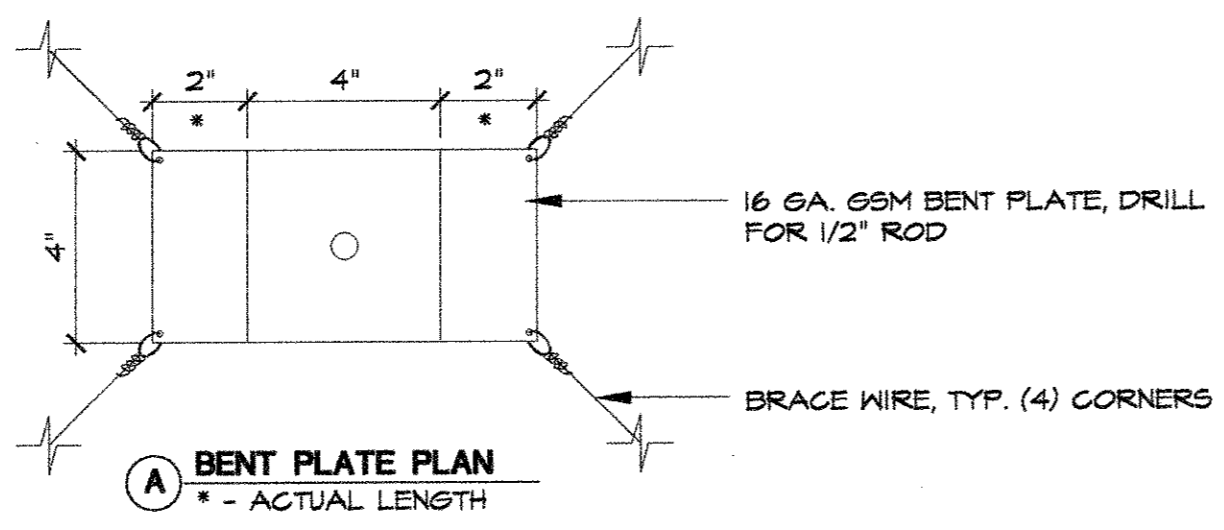
**14 PARTITION CENTERED ON MULLION**  
3"=1'-0"



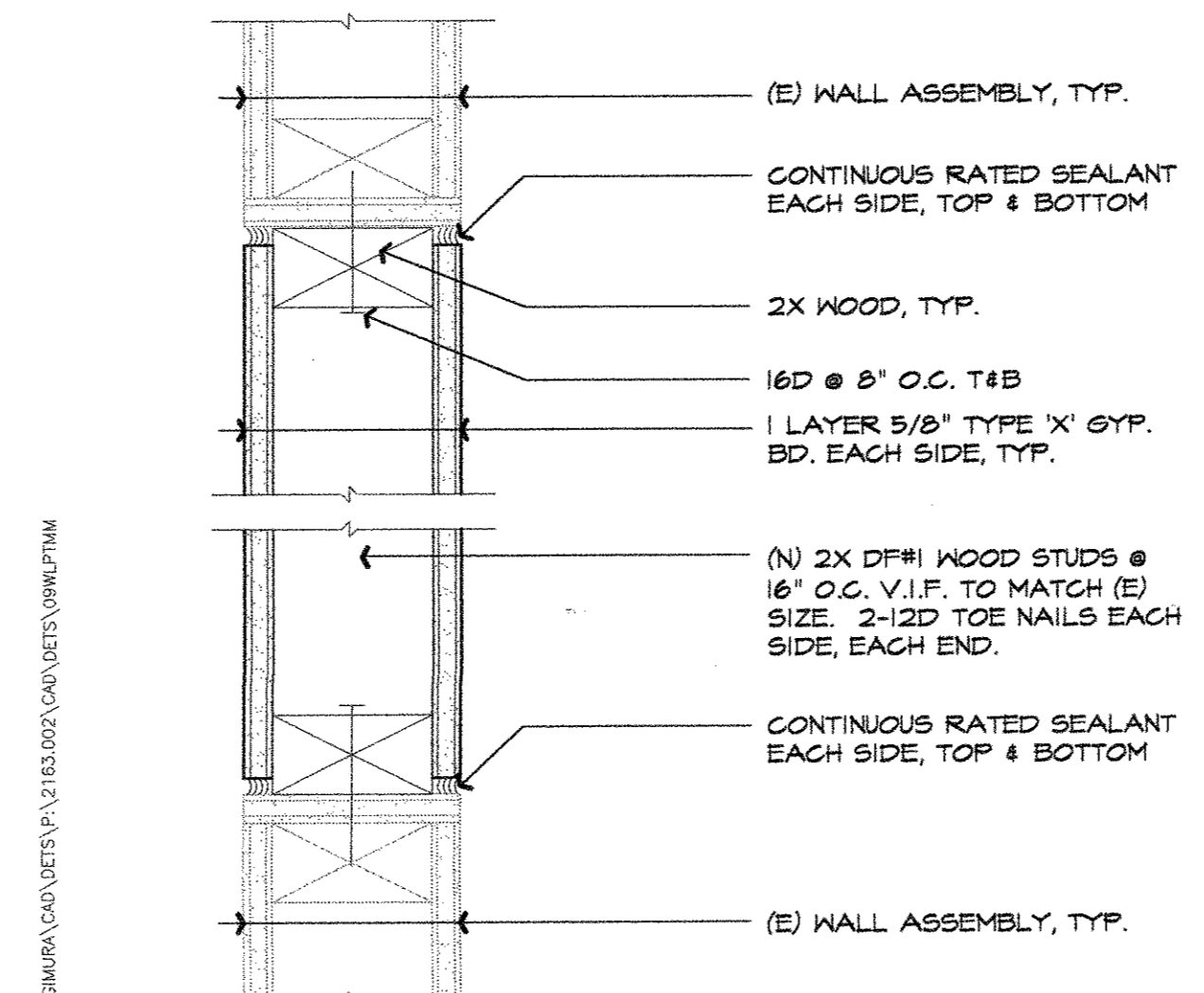
**15 RECESSED PANEL**  
1-1/2"=1'-0"



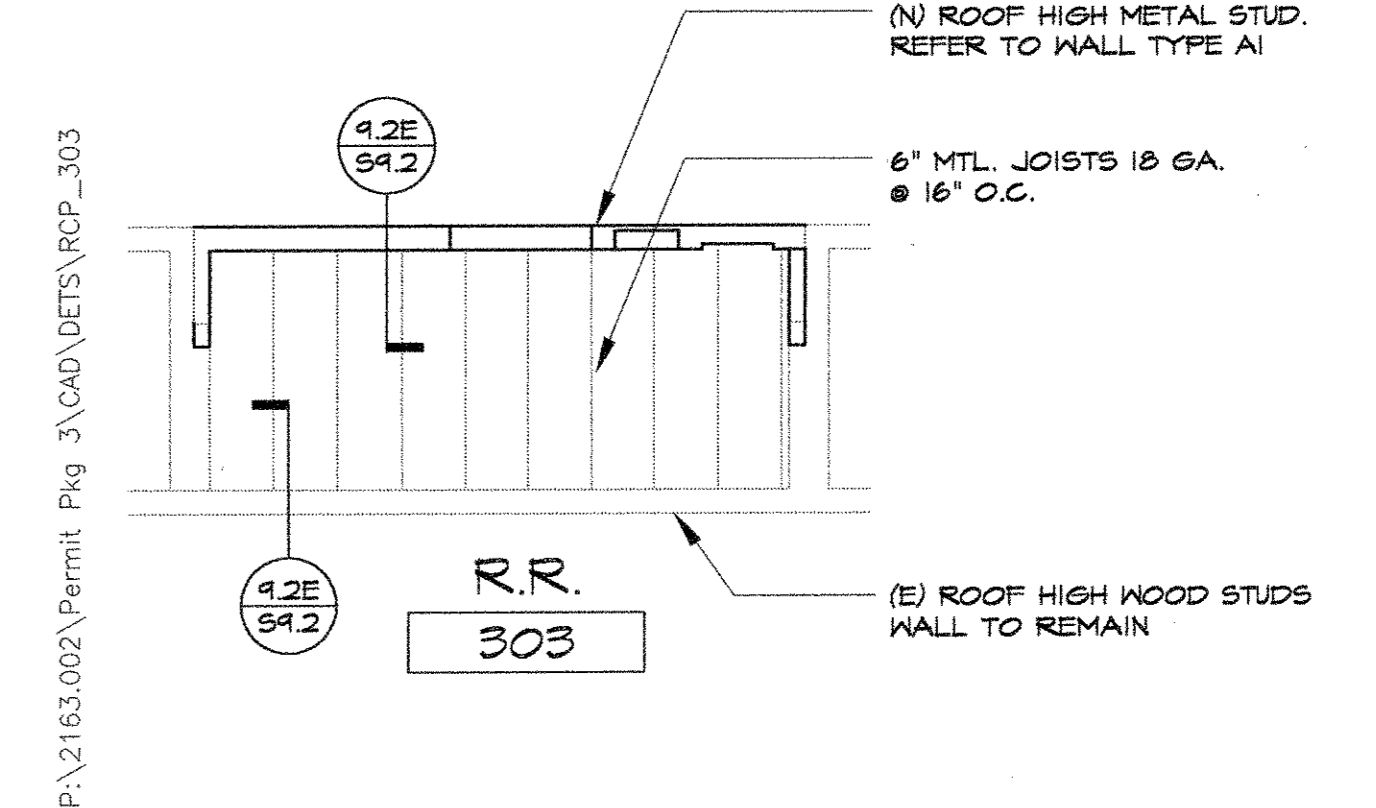
**TACTILE EXIT ROUTE SIGN**  
N.T.S.



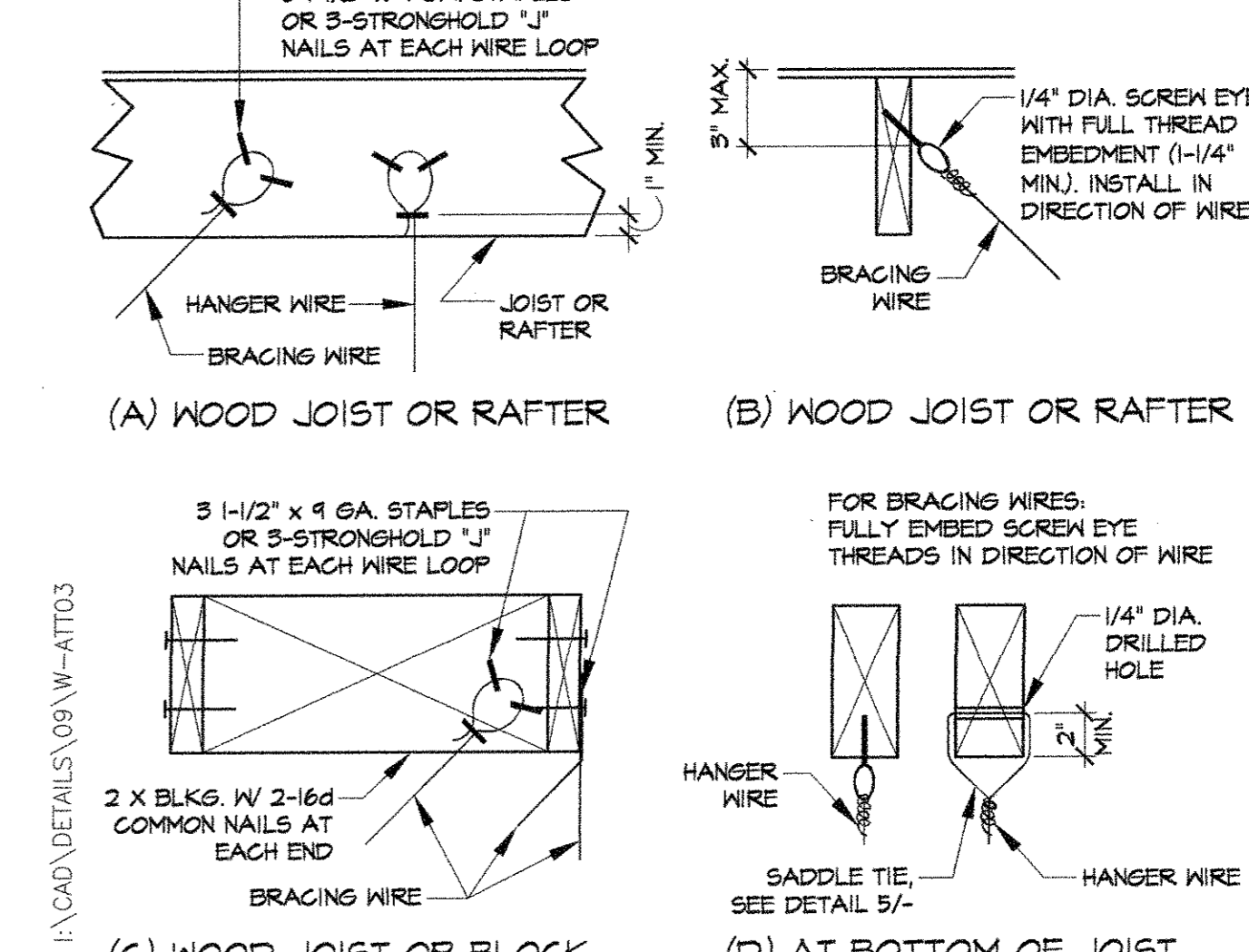
**5 RESTROOM SIGNAGE**  
N.T.S.



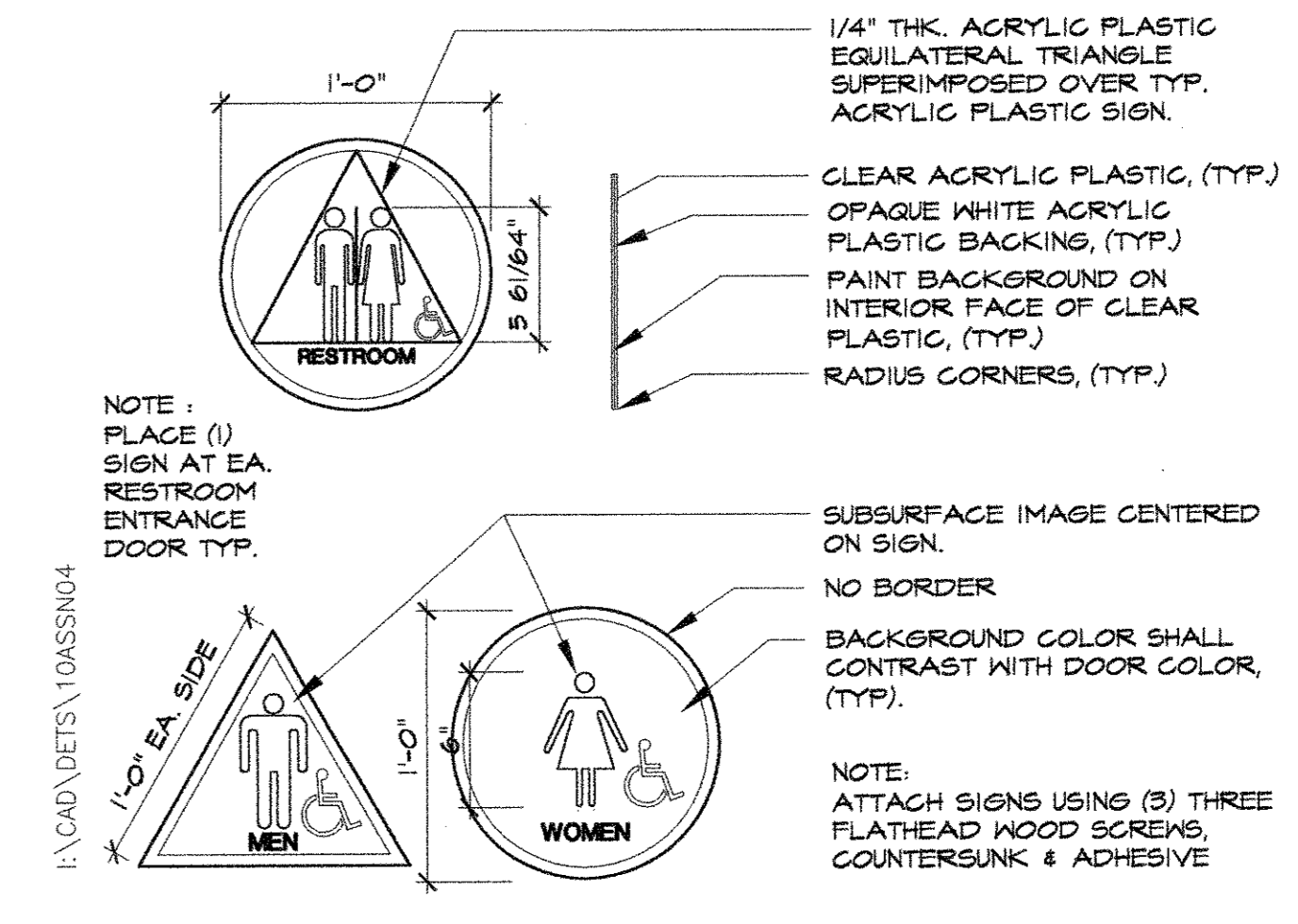
**6 1 HR. RATED OPENING INFILL**  
3"=1'-0"



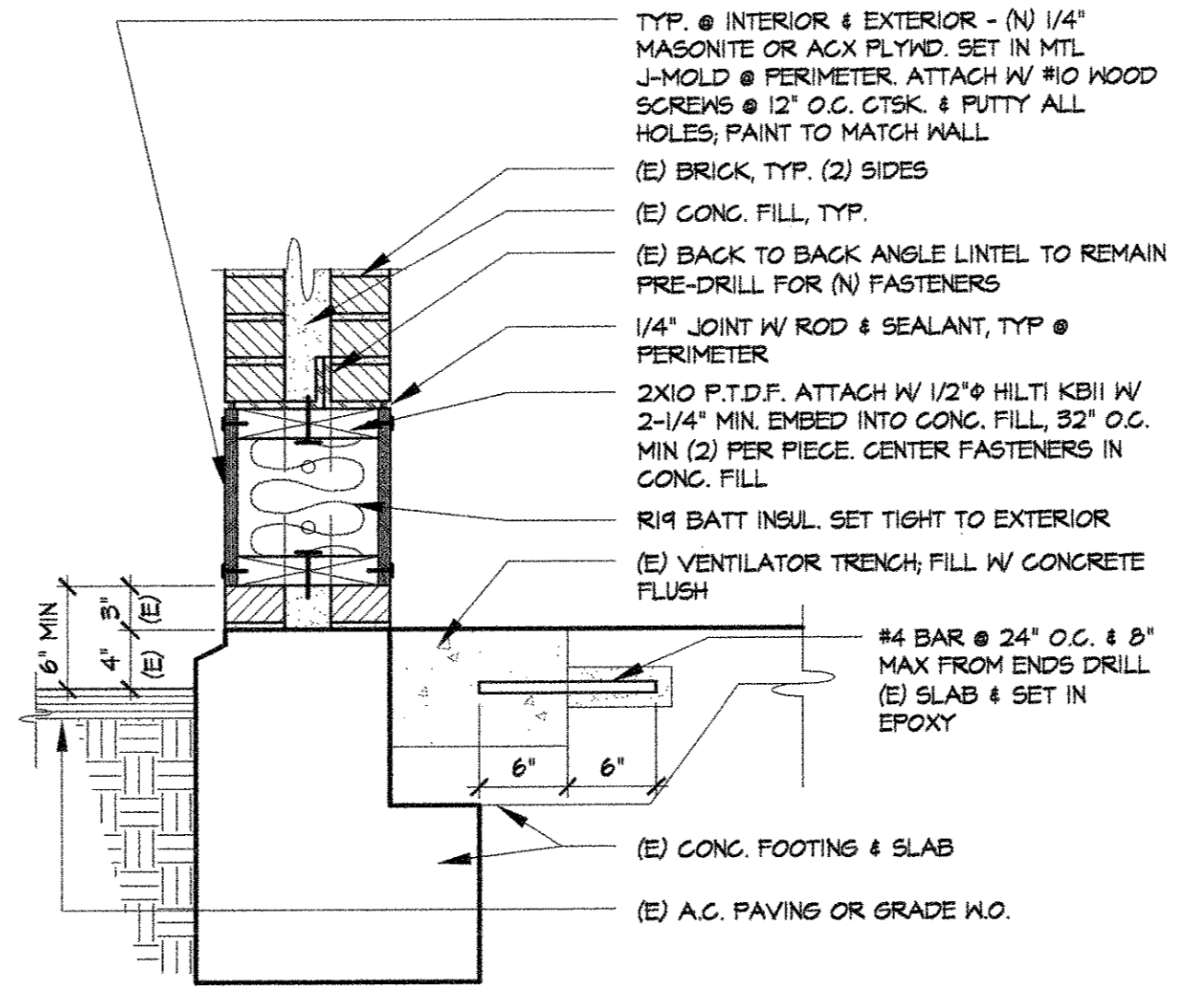
**1 ENLARGED CEILING FRAMING PLAN**  
ROOM NO. 303  
SCALE: 1/4"=1'-0"



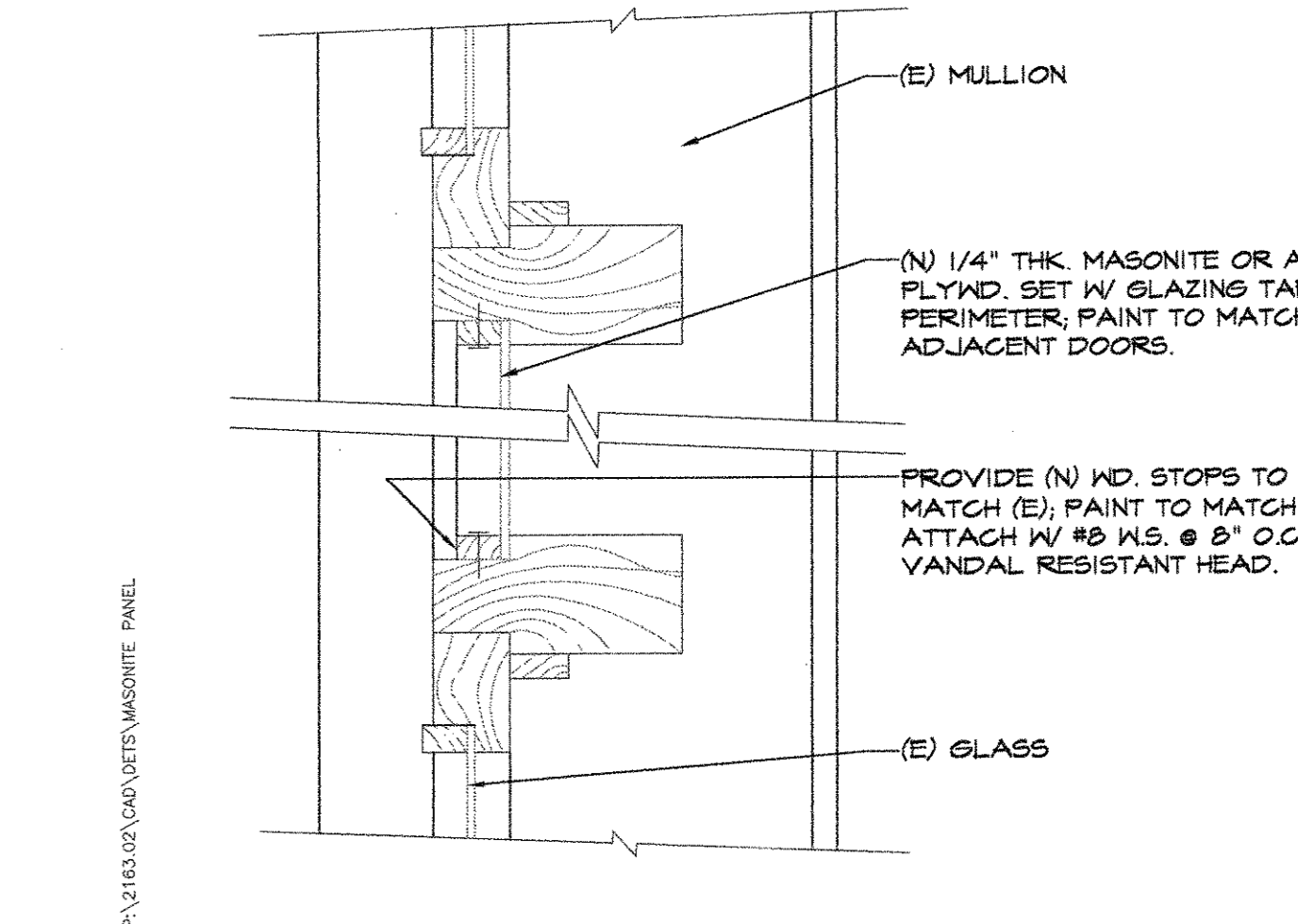
**2 WIRE ATTACHMENT**  
N.T.S.



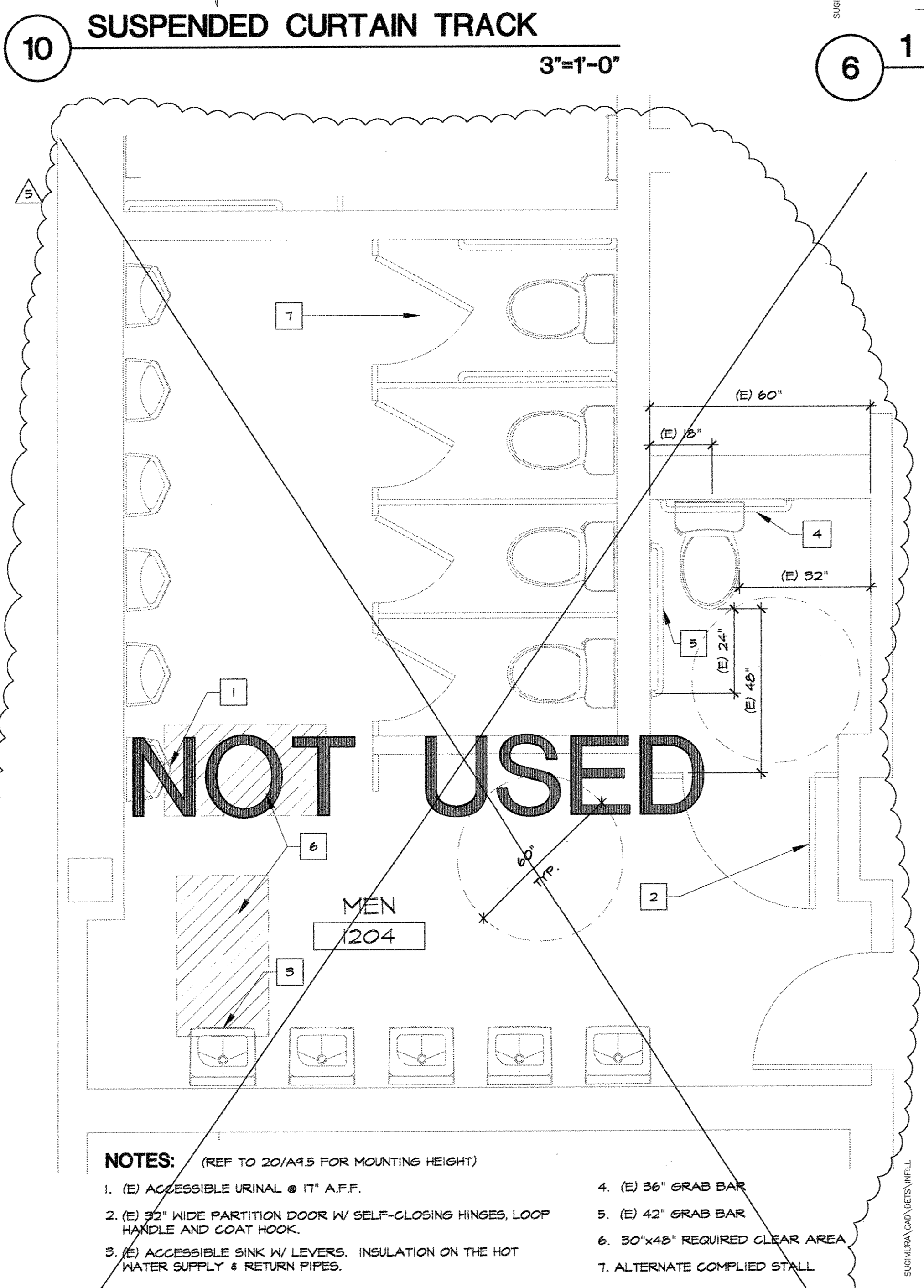
**3 RESTROOM SYMBOLS ON DOORS**  
1-1/2"=1'-0"



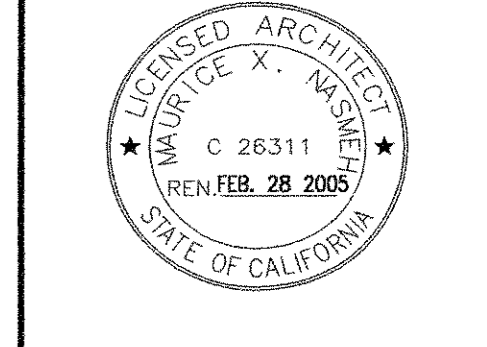
**8 INFILL @ LOUVER OP'G & VENT TRENCH**  
1"=1'-0"



**4 MASONITE PANEL**  
3"=1'-0"



**12 ENLARGED FLOOR PLAN**  
BLDG 1 - RM 1204  
1/2"=1'-0"



|          |      |
|----------|------|
| FILE NO. | DATE |
| APP. NO. | DATE |
| AC.      | DATE |

**STANDARD WALL FRAMING DETAILS**  
SKYLINE COLLEGE SWING SPACE  
PERMIT PACKAGE #3  
SKYLINE COLLEGE  
3300 COLLEGE DRIVE  
SAN BRUNO, CA 94066

| REVISIONS |                    |         |  |
|-----------|--------------------|---------|--|
| NO.       | ITEM               | DATE    |  |
| 1         | DSA BACKCHECK      | 3/28/04 |  |
| 2         | CONSTRUCTION ISSUE | 6/10/04 |  |
| 3         | CONFORM SET        | 9/1/04  |  |

|                  |             |
|------------------|-------------|
| CLIENT APPROVAL: |             |
| DRAWN BY:        | KH          |
| CHECKED BY:      |             |
| JOB NO:          | 2145.002    |
| DATE:            | 13 FEB 2004 |

**A9.1**  
OF SHEETS