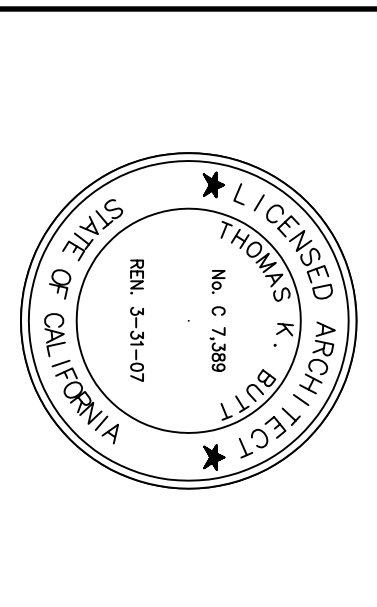


REVISION	DESCRIPTION	INITIAL	DATE

PRE-APPLICATION REVIEW	02/26/04
ISSUED FOR PLAN CHECK	03/03/04
ISSUED FOR PERMIT	03/03/04
ISSUED FOR BID	
ISSUED FOR CONSTRUCTION	



CONSULTANT:

INTERACTIVE
 ARCHITECTURE • PLANNING • ENGINEERING
 117 PARK PLACE
 POINT RICHMOND
 CALIFORNIA 94801
 (916) 238-7435
 (FAX) 232-5325
 http://www.interactive.com

PROJECT:
**BUILDING NO. 18
 (NORTH HALL)
 MODERNIZATION**

COLLEGE OF SAN MATEO
 1700 WEST HILLSDALE BLVD,
 SAN MATEO, CA 94402

SAN MATEO CO. COMMUNITY
 COLLEGE DISTRICT

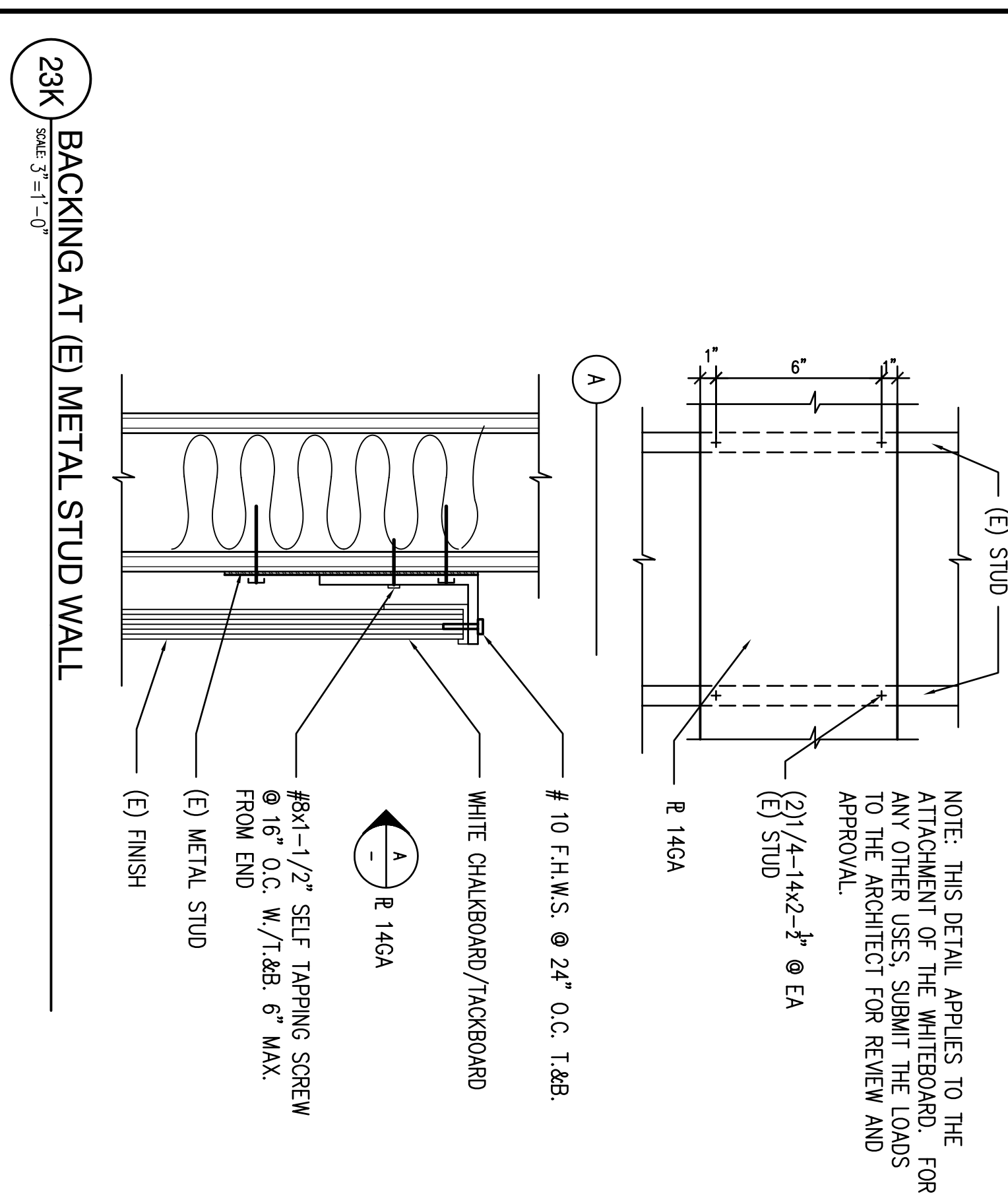
APPROVED
 DW. OF THE STATE ARCHITECT
 APPL 106047
 DATE: 1/3 SS

APPROVED
 DW. OF THE STATE ARCHITECT
 APPL 106047
 DATE: 1/3 SS

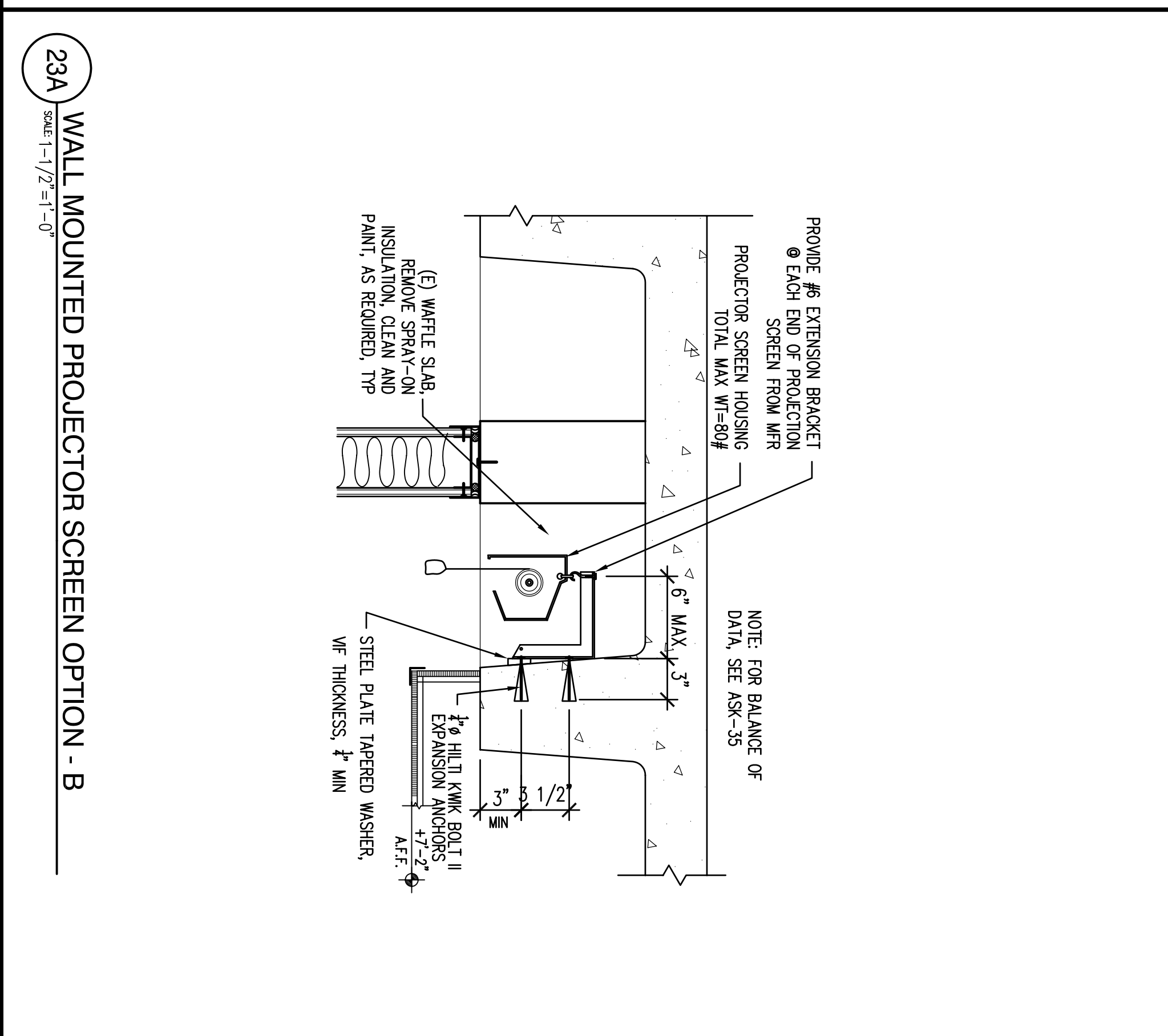
SHEET TITLE:
DETAILS

PROJ. NO. 2002-066-02
 PREPARATION AND REVIEW
 DRAWN BY: BA
 DESIGNER: TB
 CHECKER: TB
 PEER REVIEW:
 SHEET NUMBER:
MOD
A8.6

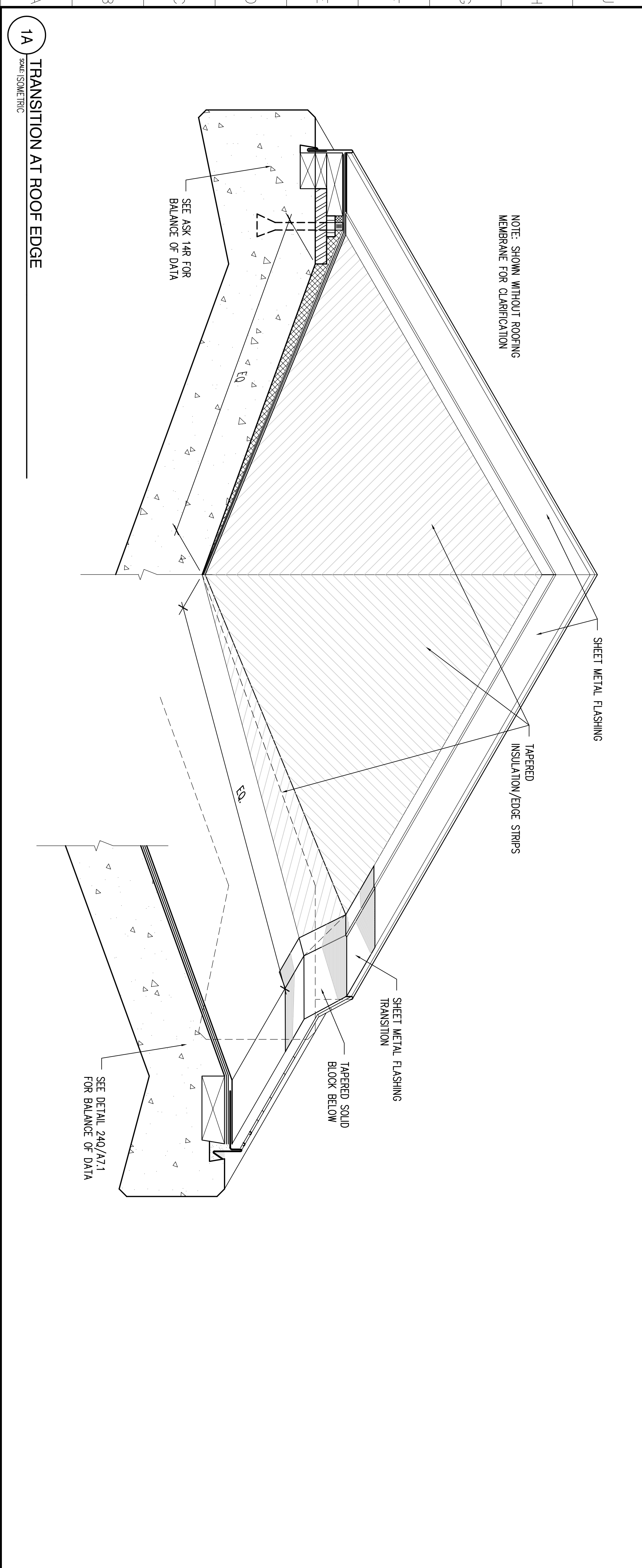
NOTE: THIS DETAIL APPLIES TO THE ATTACHED PERMITTED LOADS FOR ANCHORS PER THE PERMITTED LOADS FOR ANCHORS PERMITTED TO THE ARCHITECT FOR REVIEW AND APPROVAL.
 (2) 1/4" x 1/4" x 2" @ EA
 (E) STUD
 R 14GA



23K BACKING AT (E) METAL STUD WALL
 Scale: 3/8" = 1'-0"



23A WALL MOUNTED PROJECTOR SCREEN OPTION - B
 Scale: 1/2" = 1'-0"



1A TRANSITION AT ROOF EDGE
 Scale: 3/8" = 1'-0"