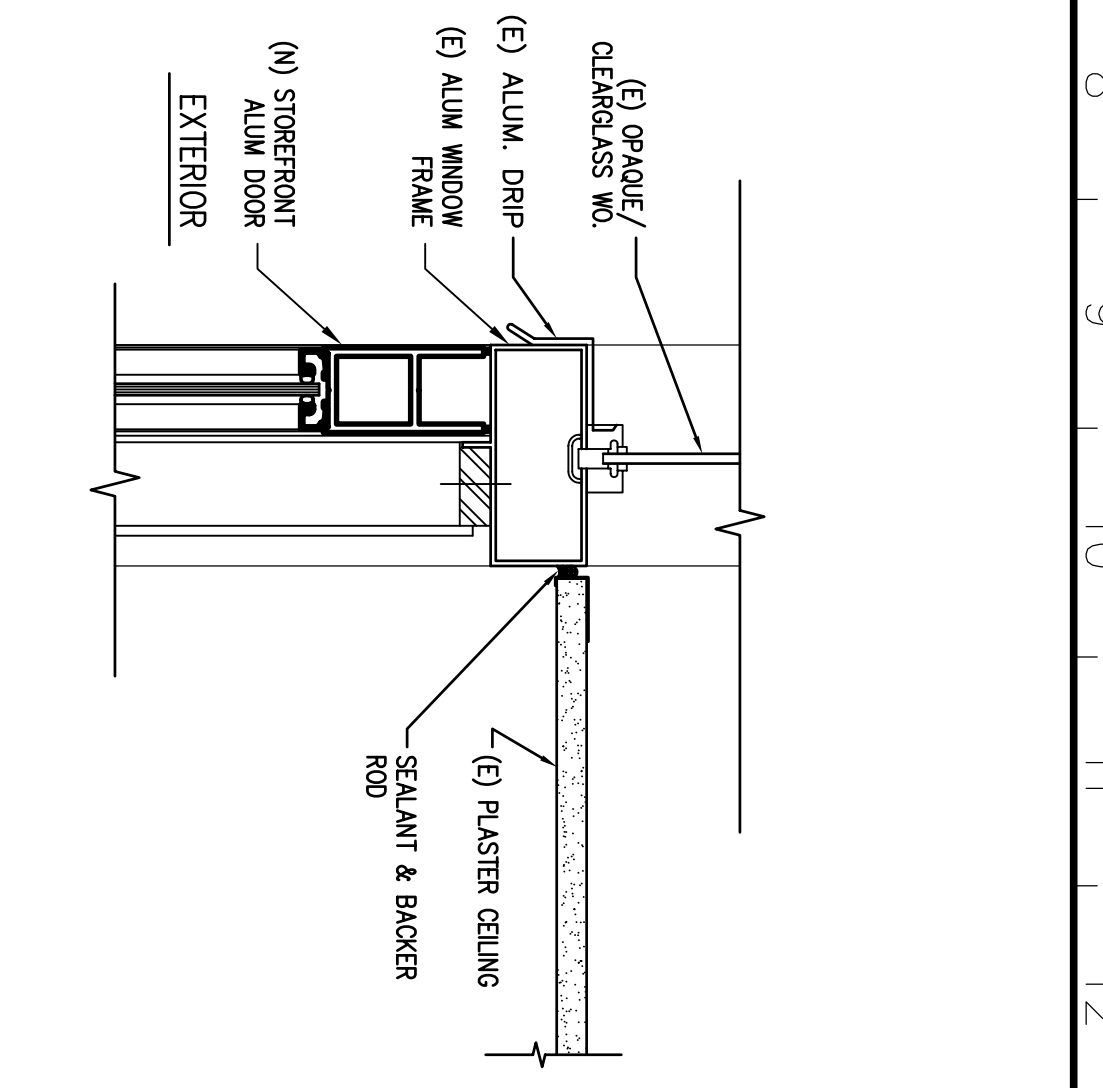
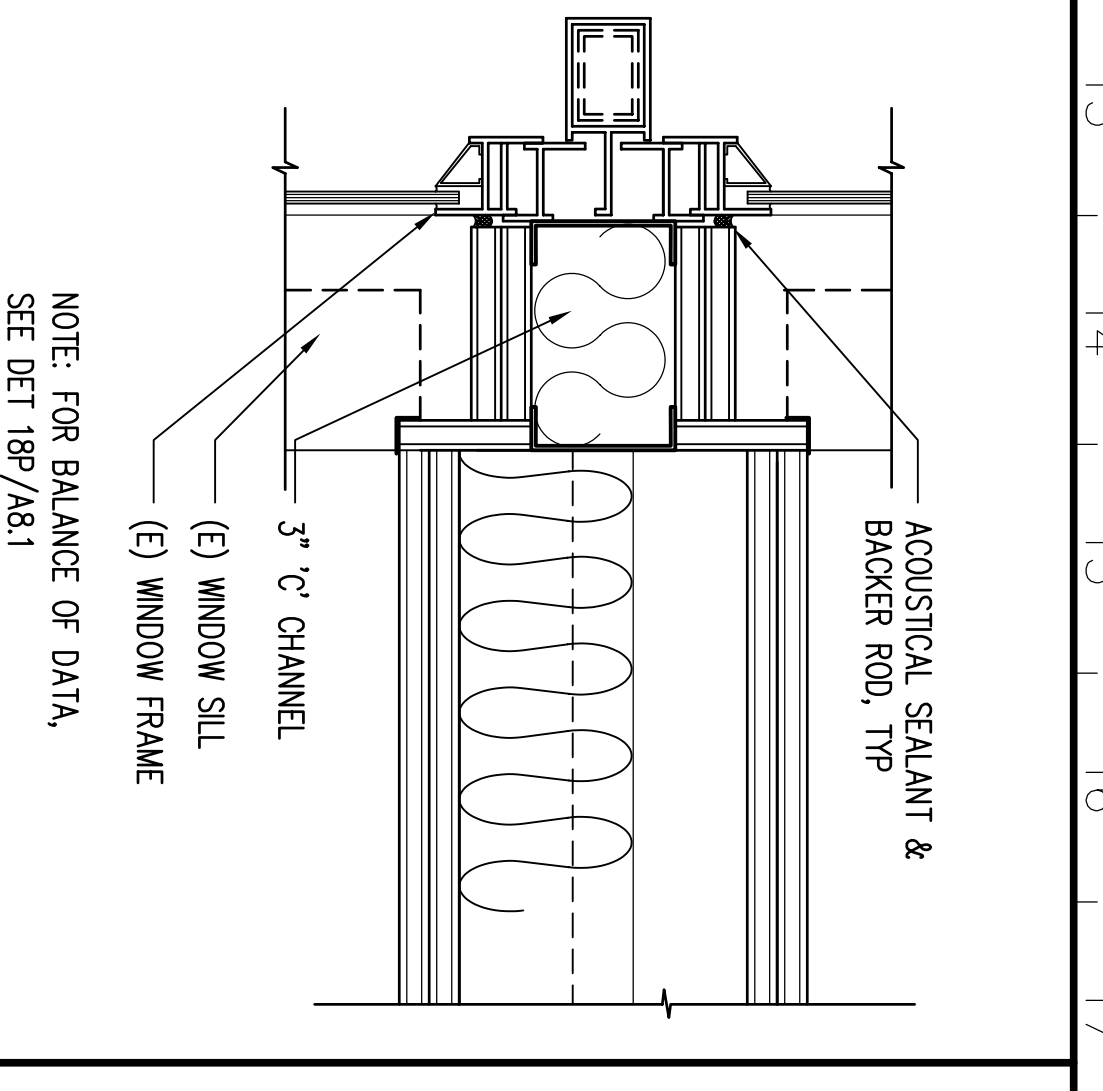


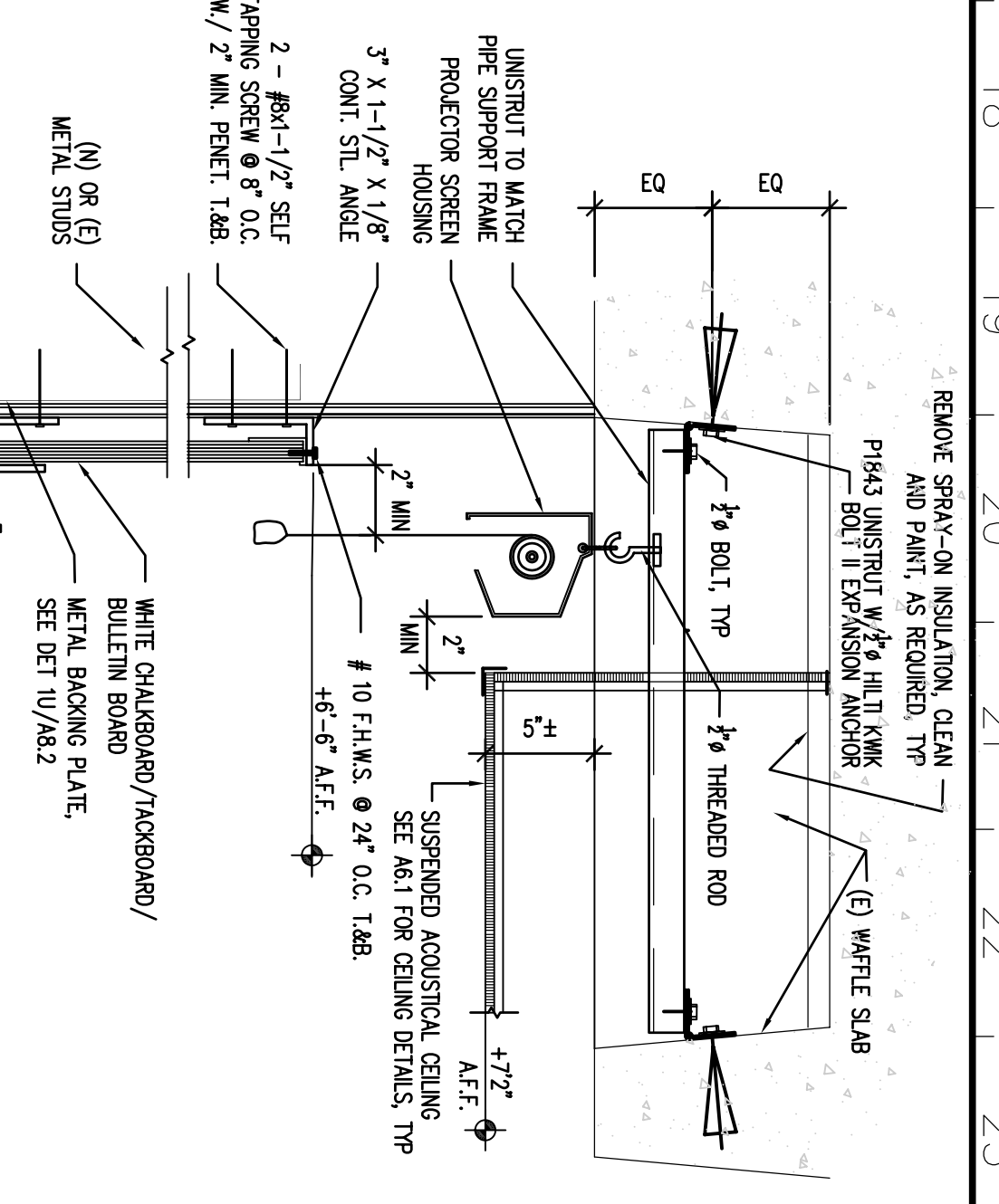
1U MOUNTING BACKER
SCALE: 3/4"=1'-0"



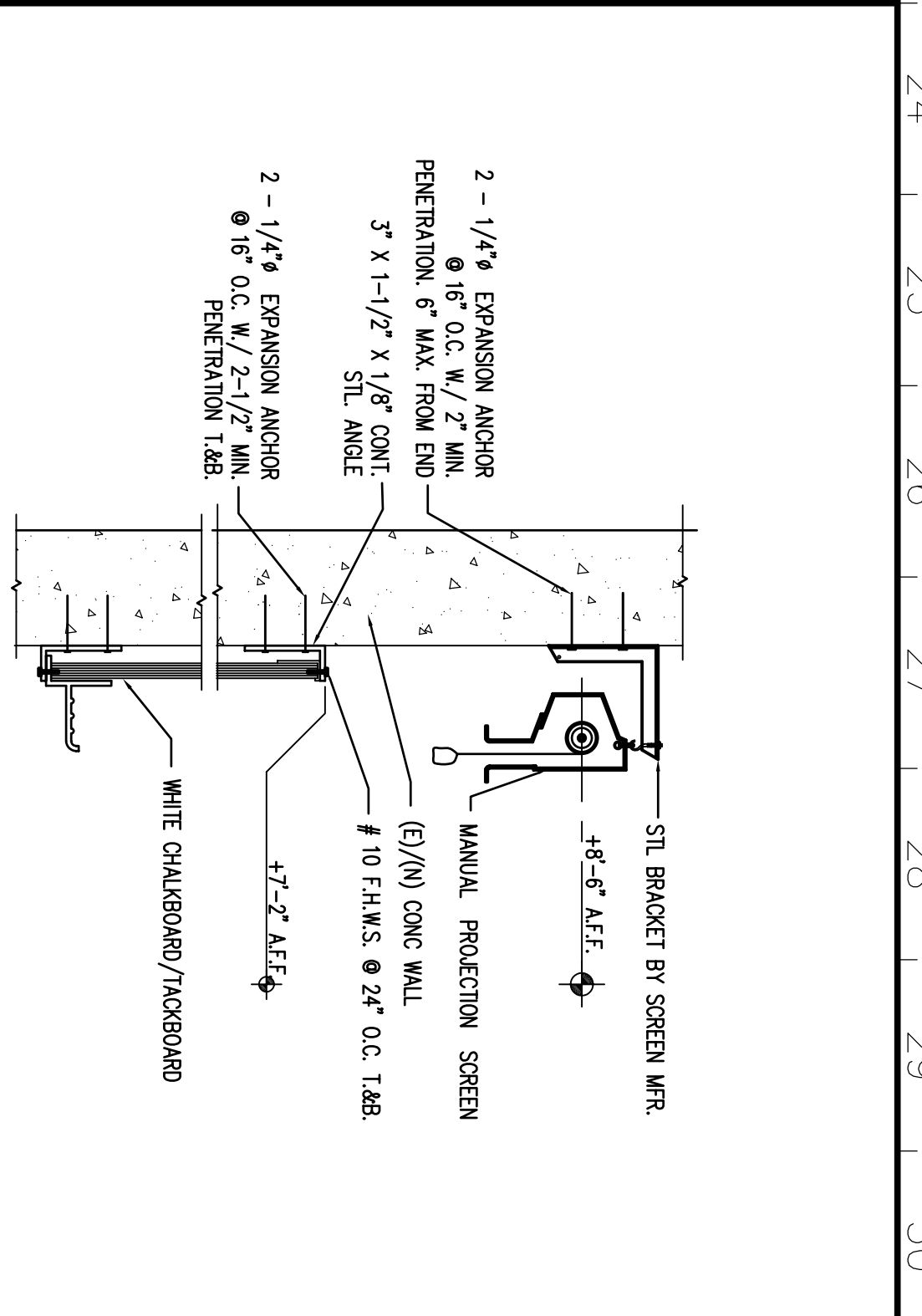
8U TYP DOOR HEAD AT VESTIBULE
SCALE: 3/4"=1'-0"



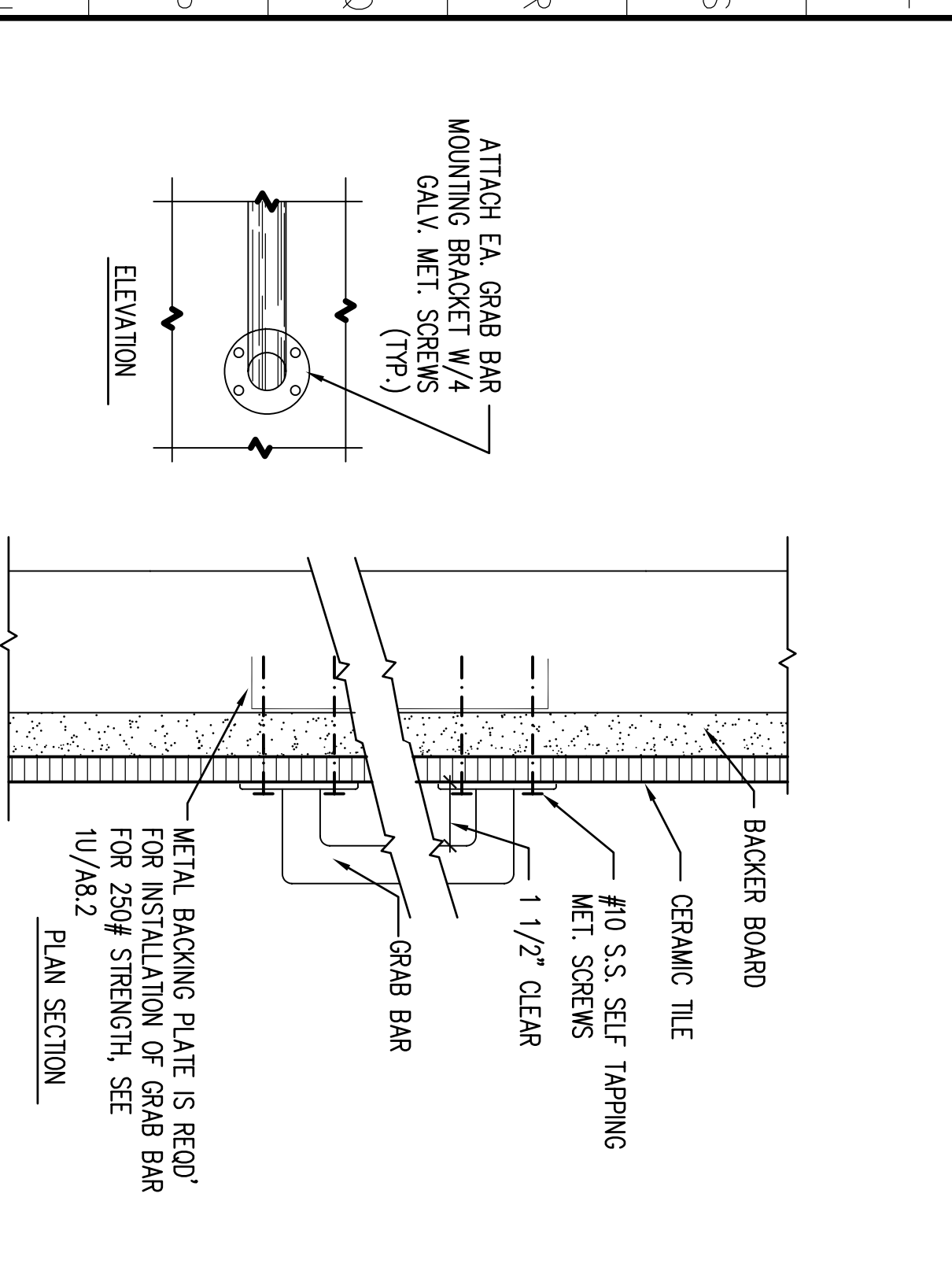
13U (N) PARTITION AT (E) VERTICAL MULLION
SCALE: 3/4"=1'-0"



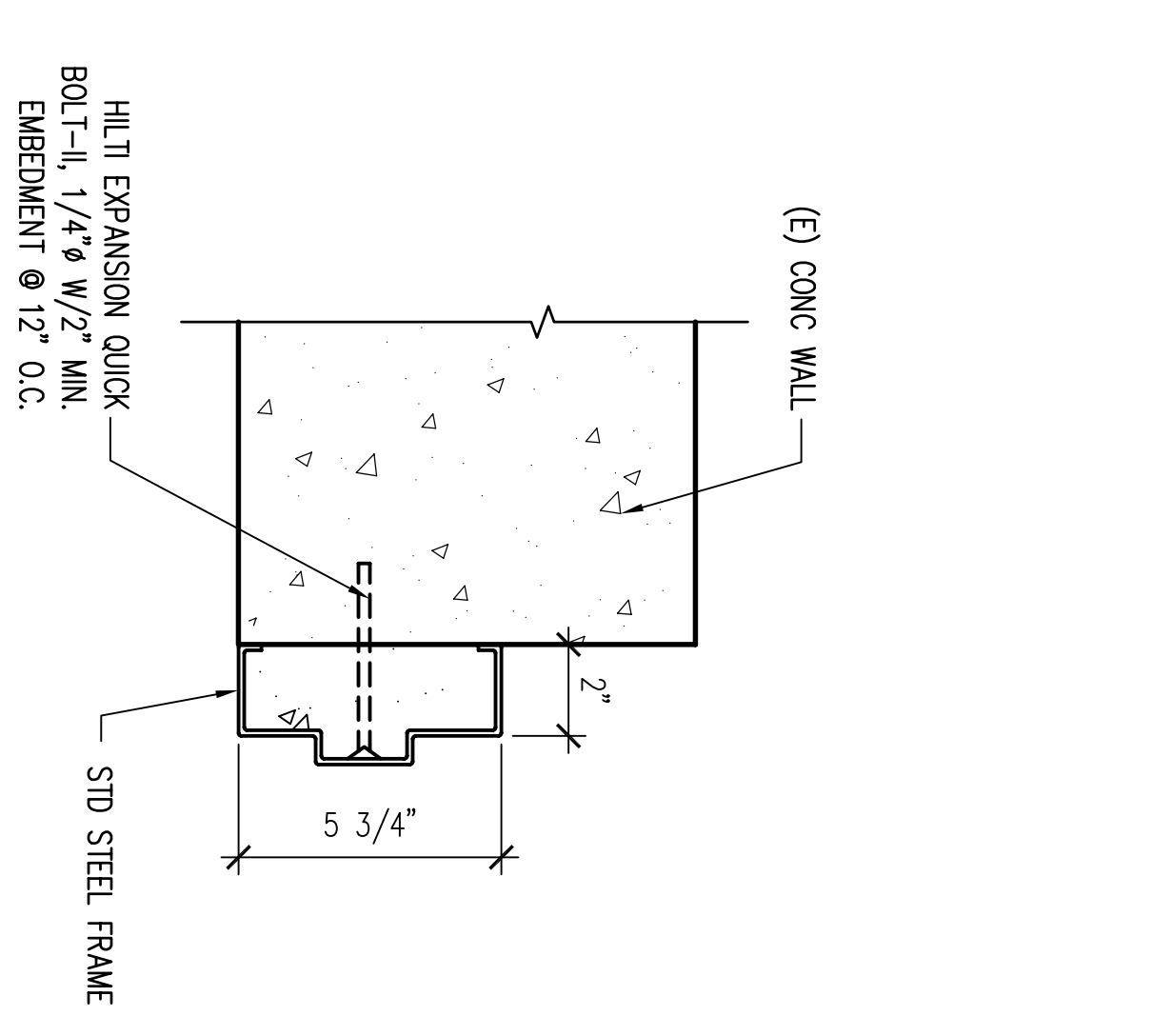
18U FIRST FLOOR MOUNTED PROJECTOR SCREEN
SCALE: 1/2"=1'-0"



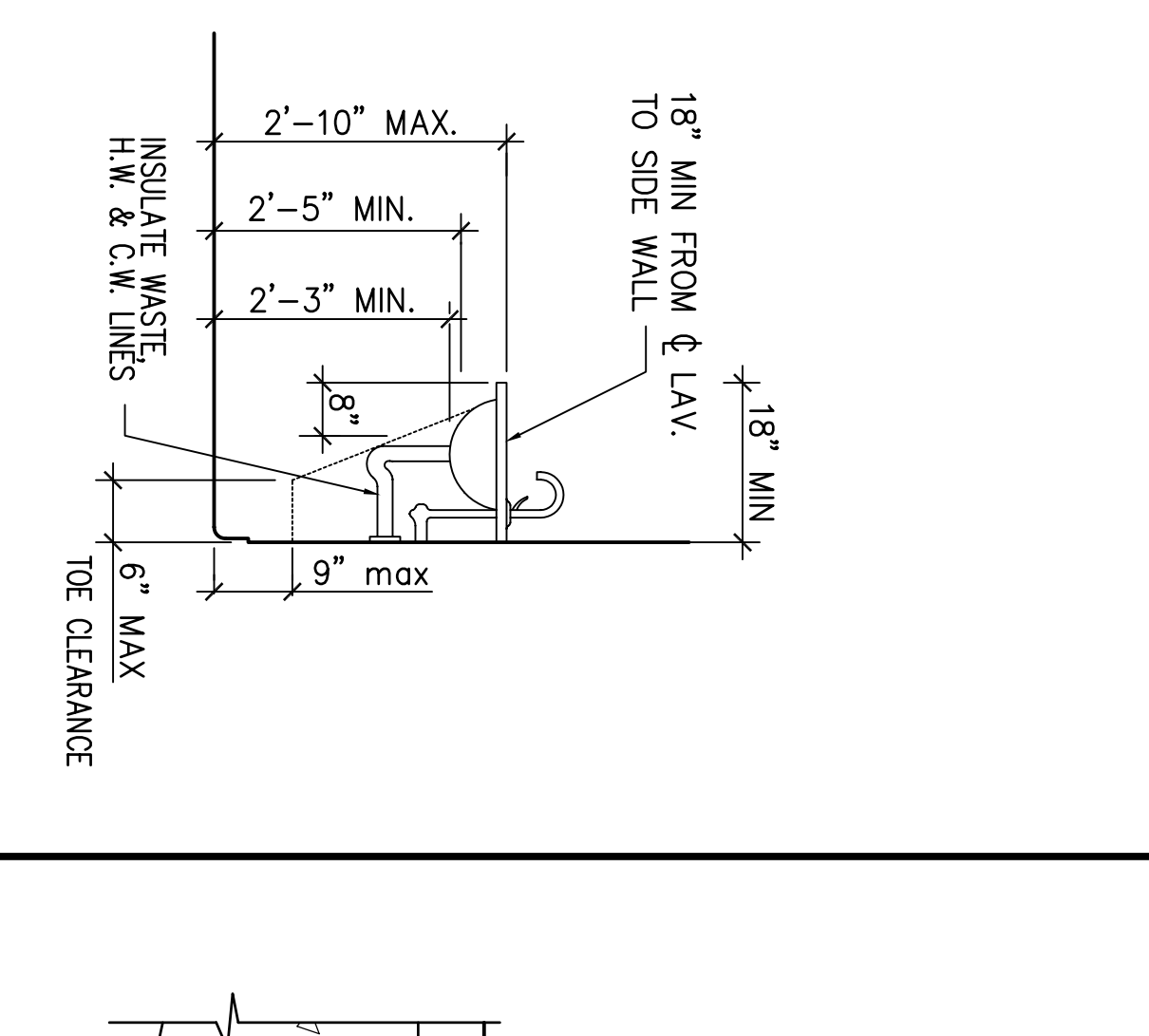
24U CHALKBOARD/TACKBOARD/BULLETIN BOARD MOUNTED AT CONCRETE WALL
SCALE: 3/4"=1'-0"



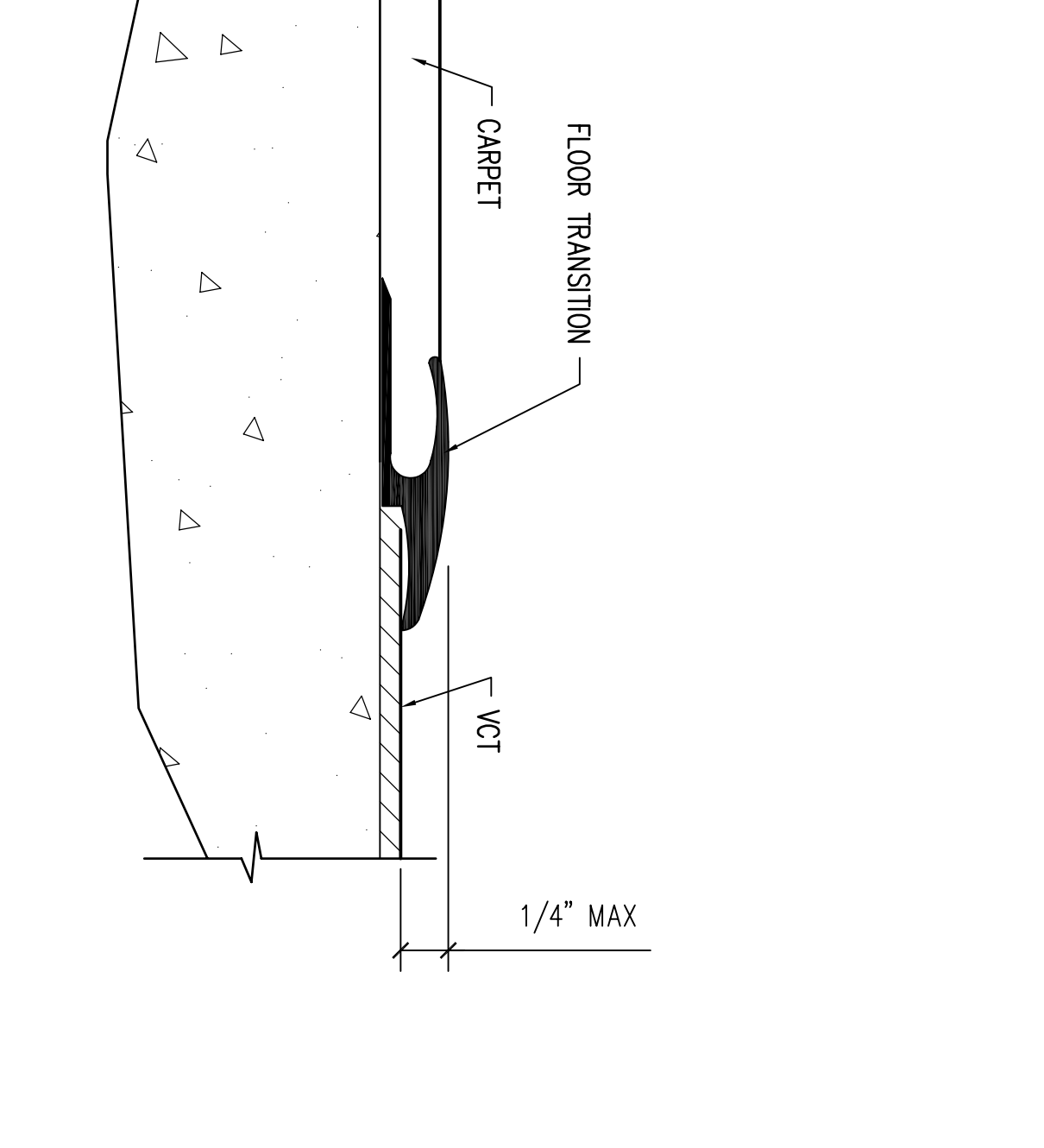
1M GRAB BAR
SCALE: 3/4"=1'-0"



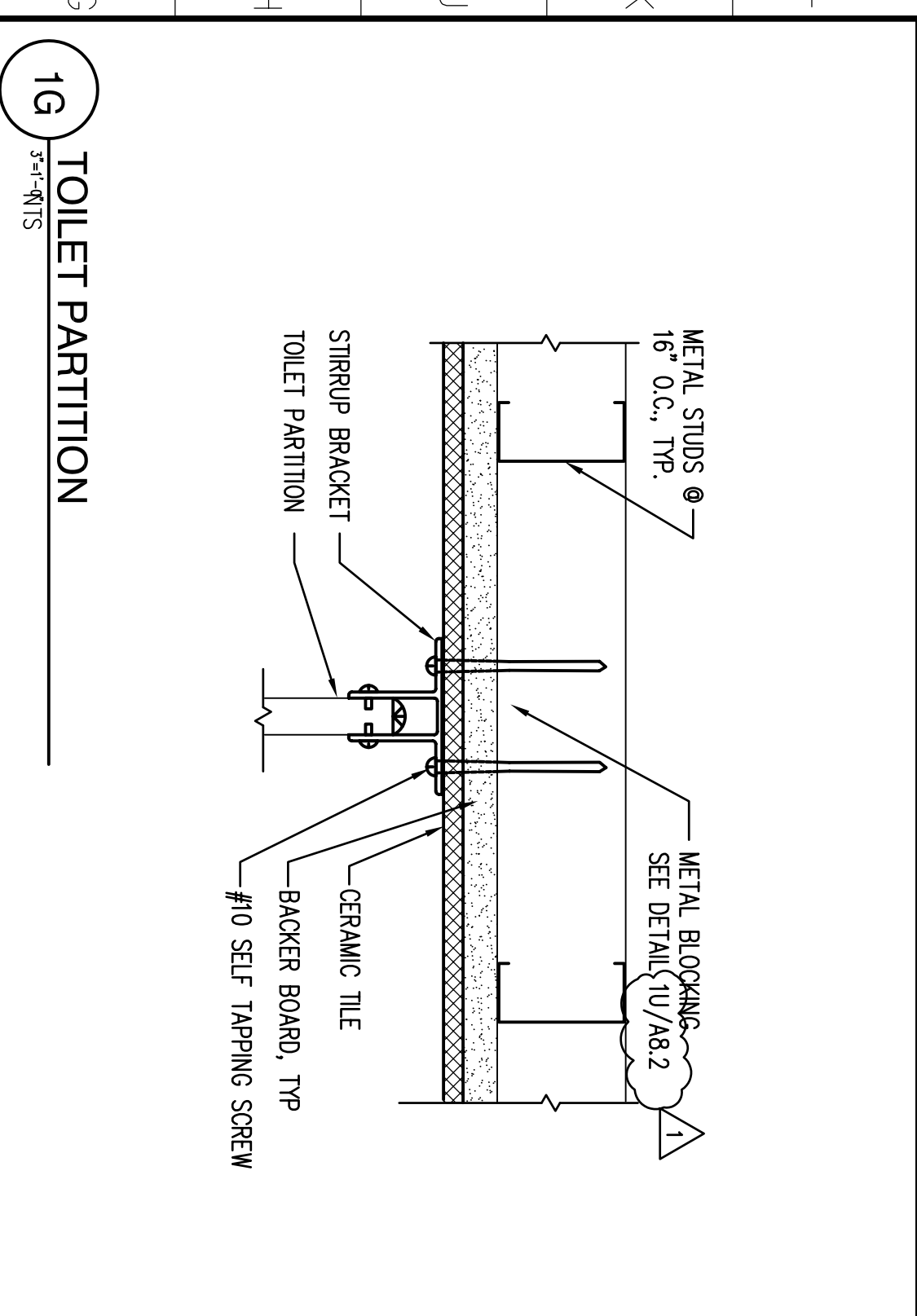
8M JAMB AT (E) CONC COL
SCALE: 3/4"=1'-0"



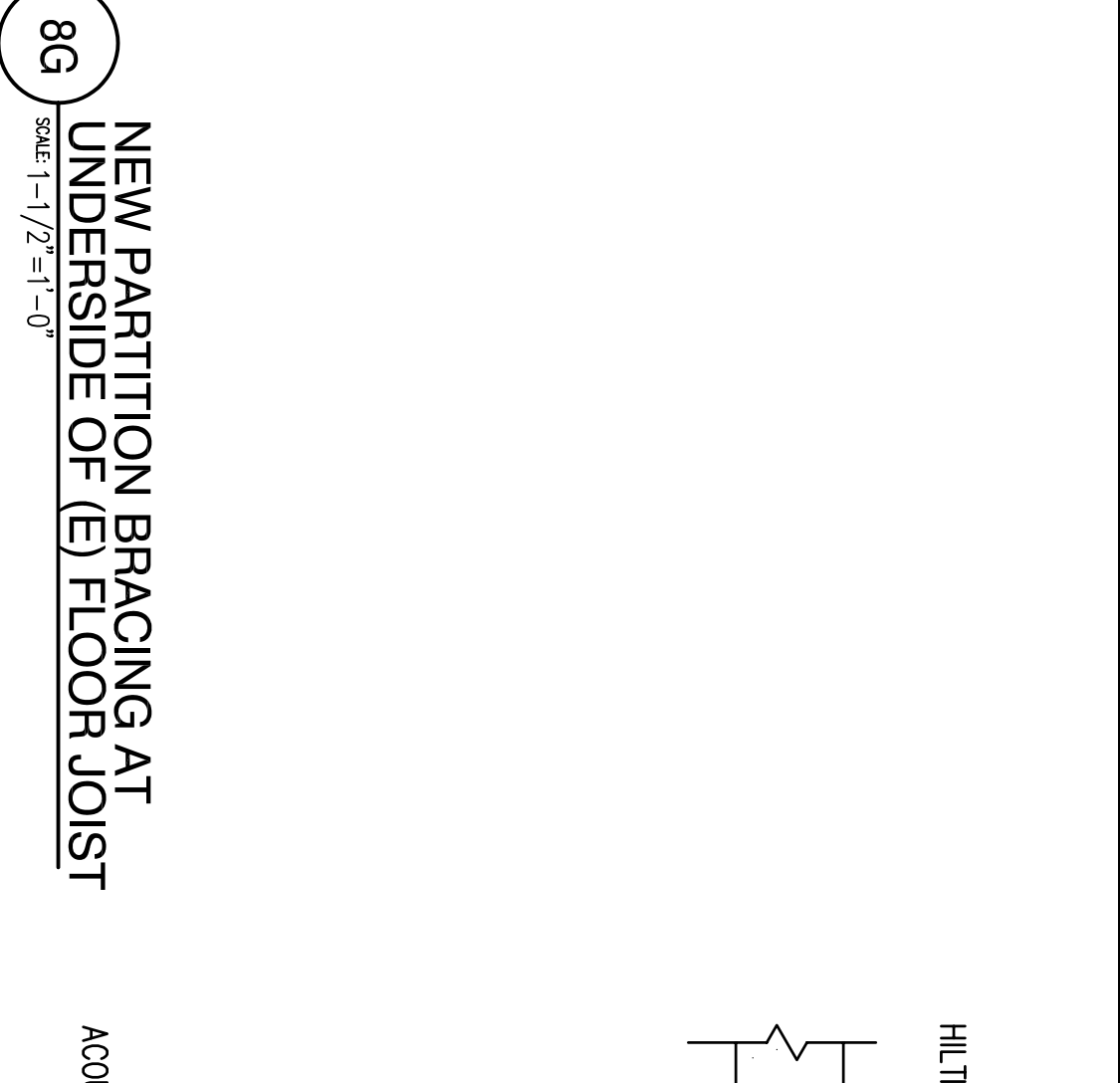
13M LAVATORY
SCALE: 3/4"=1'-0"



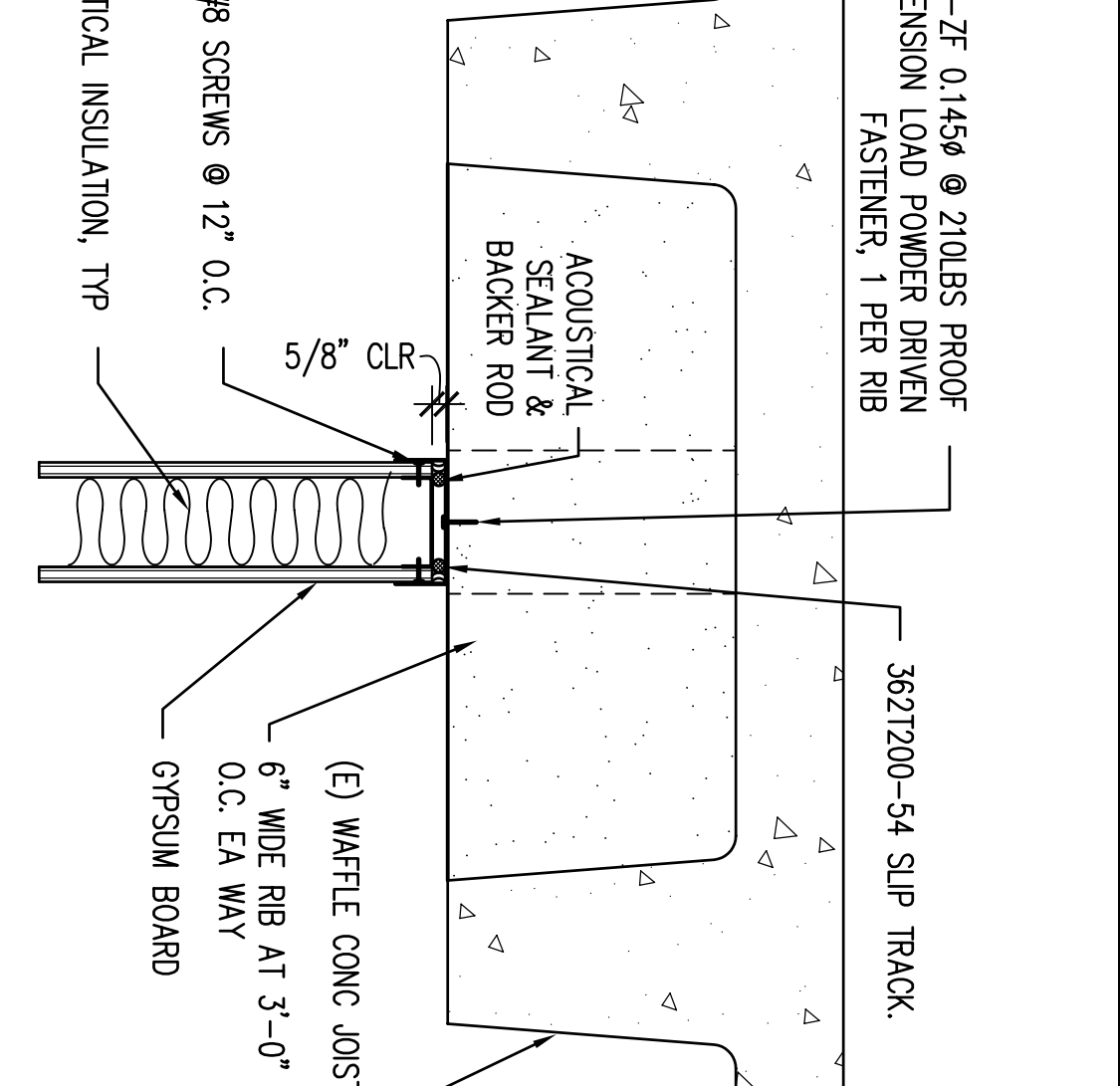
17M FLOOR TRANSITION AT CARPET AND VCT
SCALE: FULL SIZE



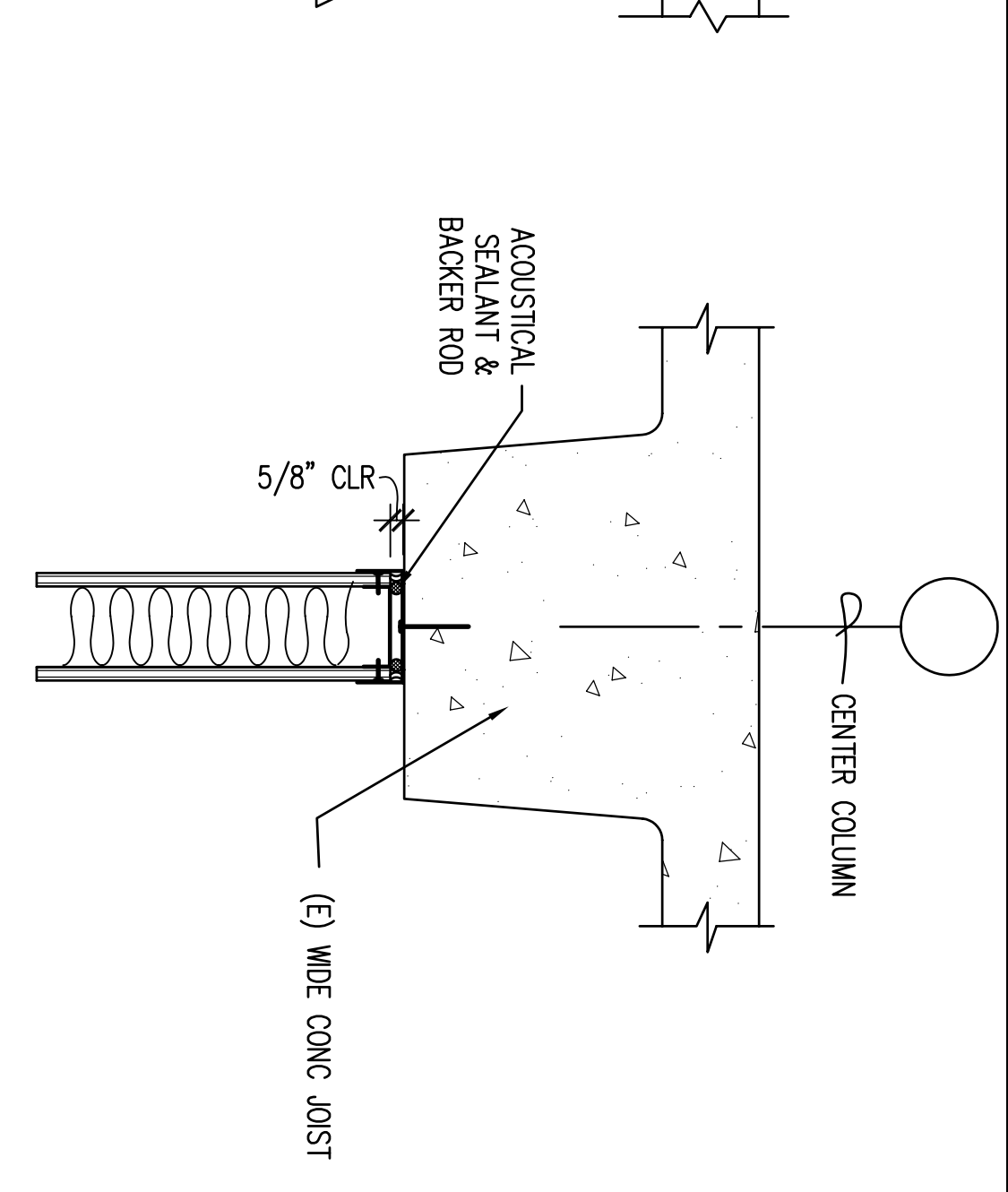
1G TOILET PARTITION
SCALE: 3/4"=1'-0"



8G NEW PARTITION BRACING AT UNDERSIDE OF (E) FLOOR JOIST
SCALE: 1/2"=1'-0"



13G LAVATORY
SCALE: 3/4"=1'-0"



17G FLOOR TRANSITION AT CARPET AND VCT
SCALE: FULL SIZE

REVISION	DESCRIPTION	INITIAL	DATE
1	ISSUED FOR PERMIT		03/03/04
2	ISSUED FOR CONSTRUCTION		03/03/04

APPENDIX

DATE: 4/1/04

PREPARED BY: [Name]

CHECKED BY: [Name]

DESIGNED BY: [Name]

ISSUED FOR PERMIT: 03/03/04

ISSUED FOR CONSTRUCTION: 03/03/04

INTERACTIVE

ARCHITECTURE • PLANNING • ENGINEERING

117 PARK PLACE
 POINT RICHMOND
 CALIFORNIA 94801
 (916) 238-7435
 (FAX) 232-5325
 htp://www.interactive.com

BUILDING NO. 18 (NORTH HALL) MODERNIZATION

SAN MATEO CO. COMMUNITY COLLEGE DISTRICT

COLLEGE OF SAN MATEO
 1700 WEST HILLSDALE BLVD,
 SAN MATEO, CA 94402

APPROVED

DATE: 1/13/04

BY: [Name]

FOR: [Name]

PROJECT: [Name]

DETAILS

MOD

A8.2

DATE: 1/13/04

BY: [Name]

FOR: [Name]

PROJECT: [Name]