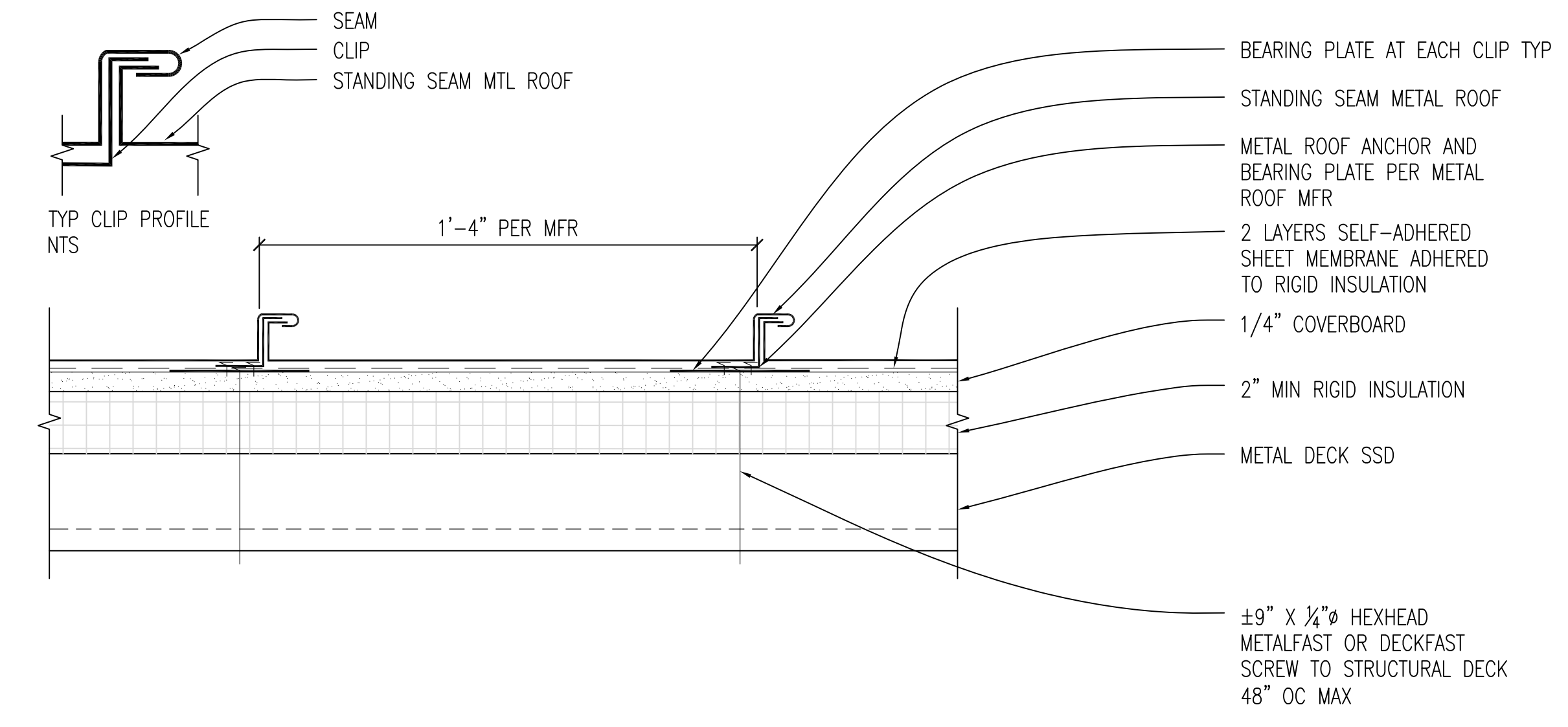
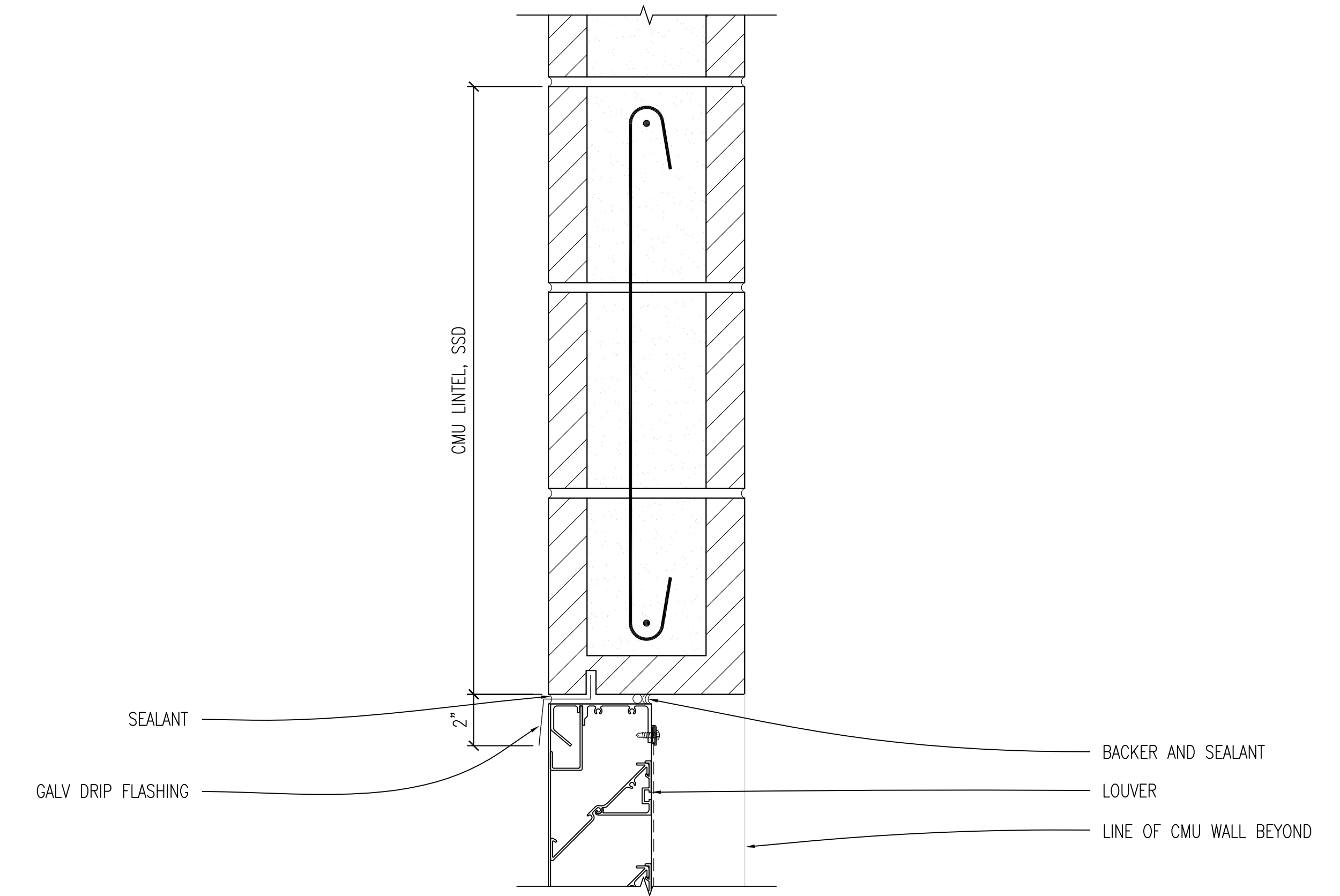


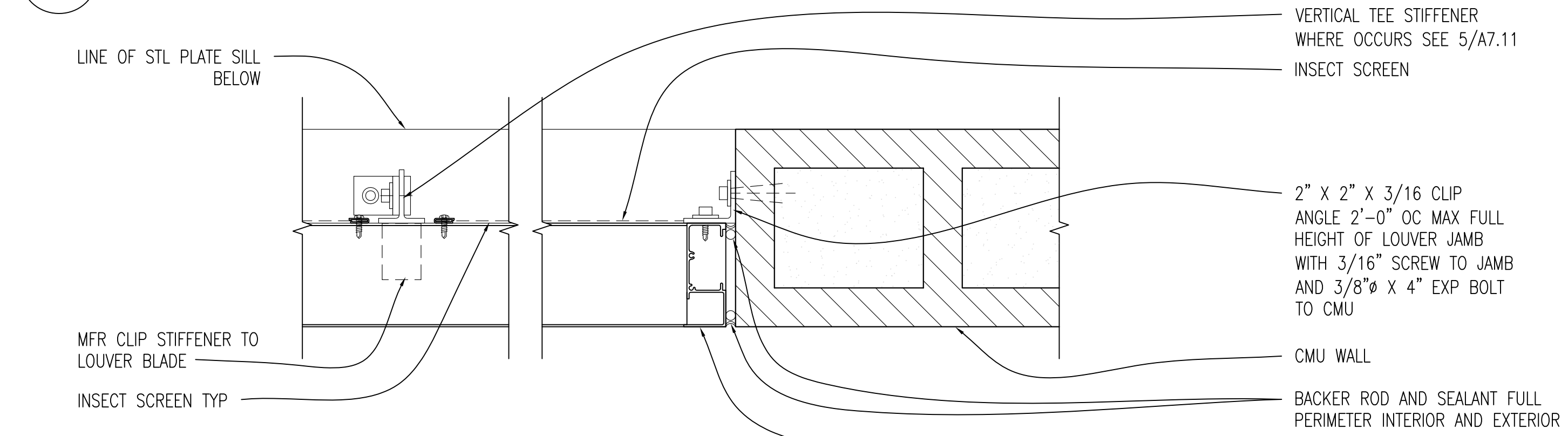
**5 ROOF RAKE AT CMU WALL DETAIL**  
 A7.12 3" = 1'-0"



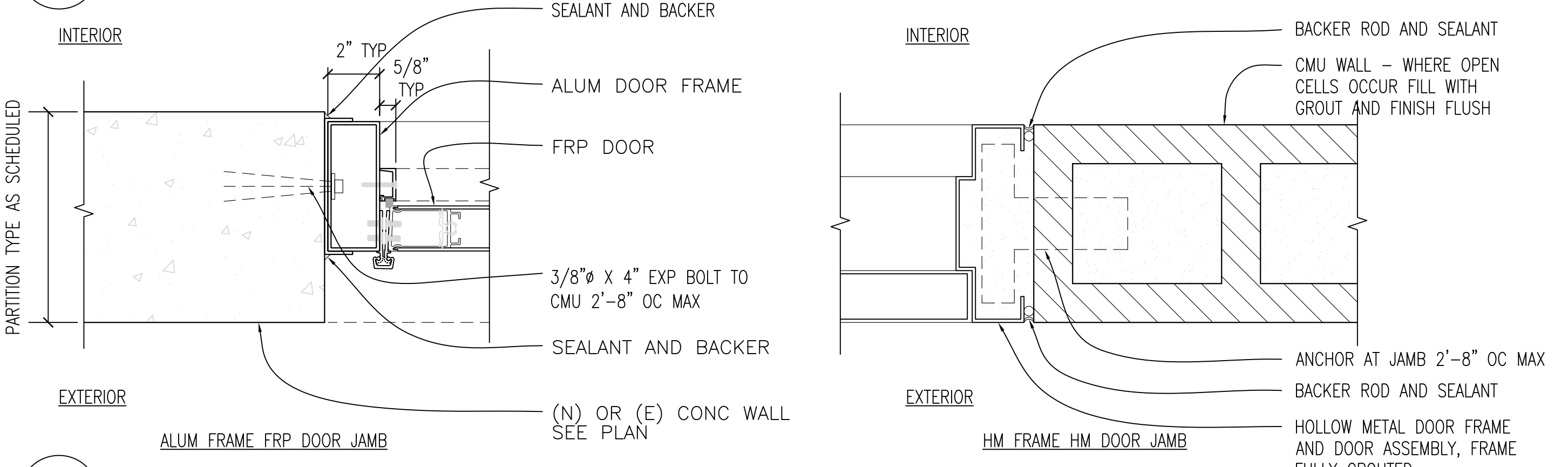
**1 METAL ROOF ASSEMBLY**  
 A7.12 3" = 1'-0"



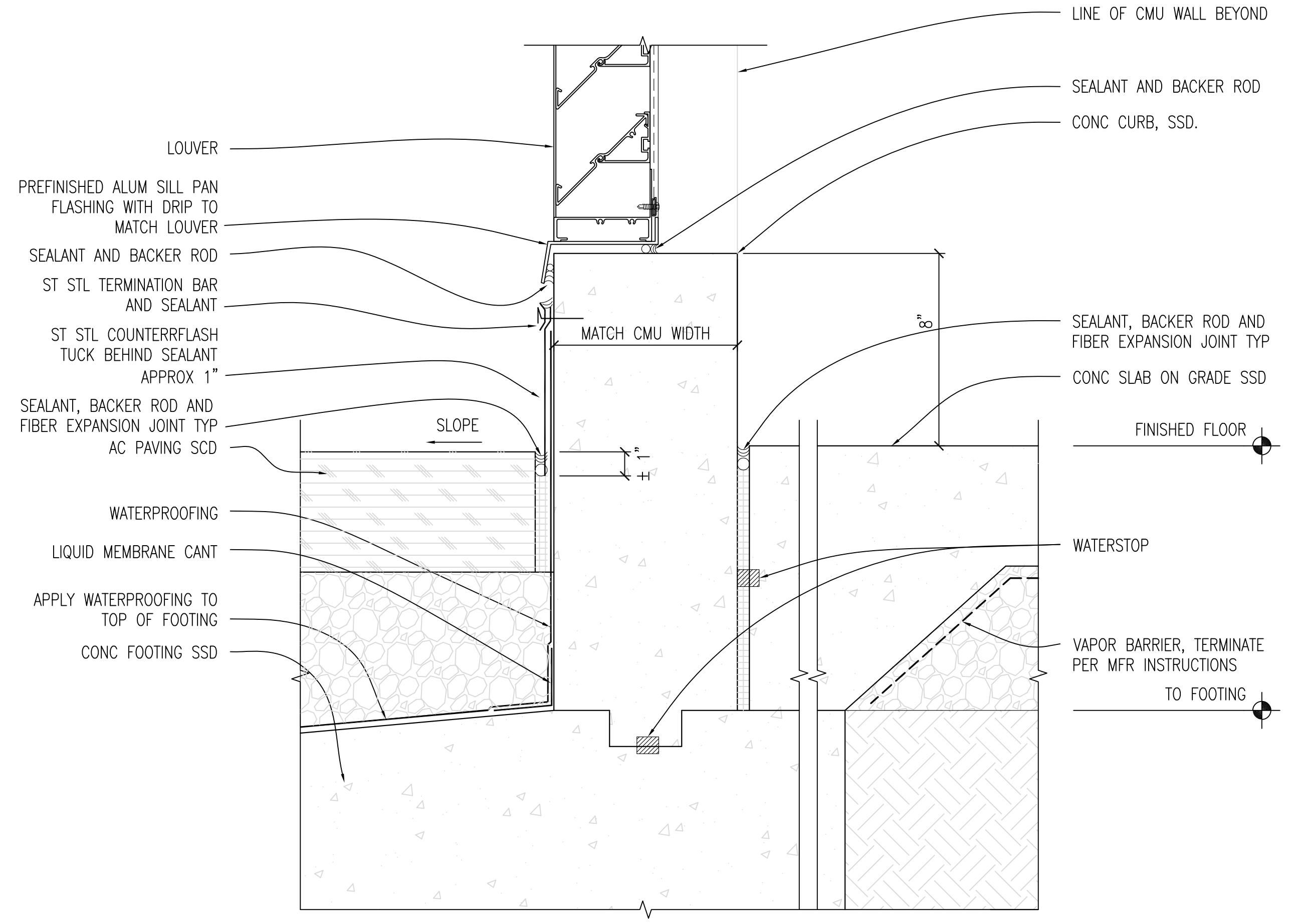
**6 LOUVER HEAD DETAIL**  
 A7.12 3" = 1'-0"



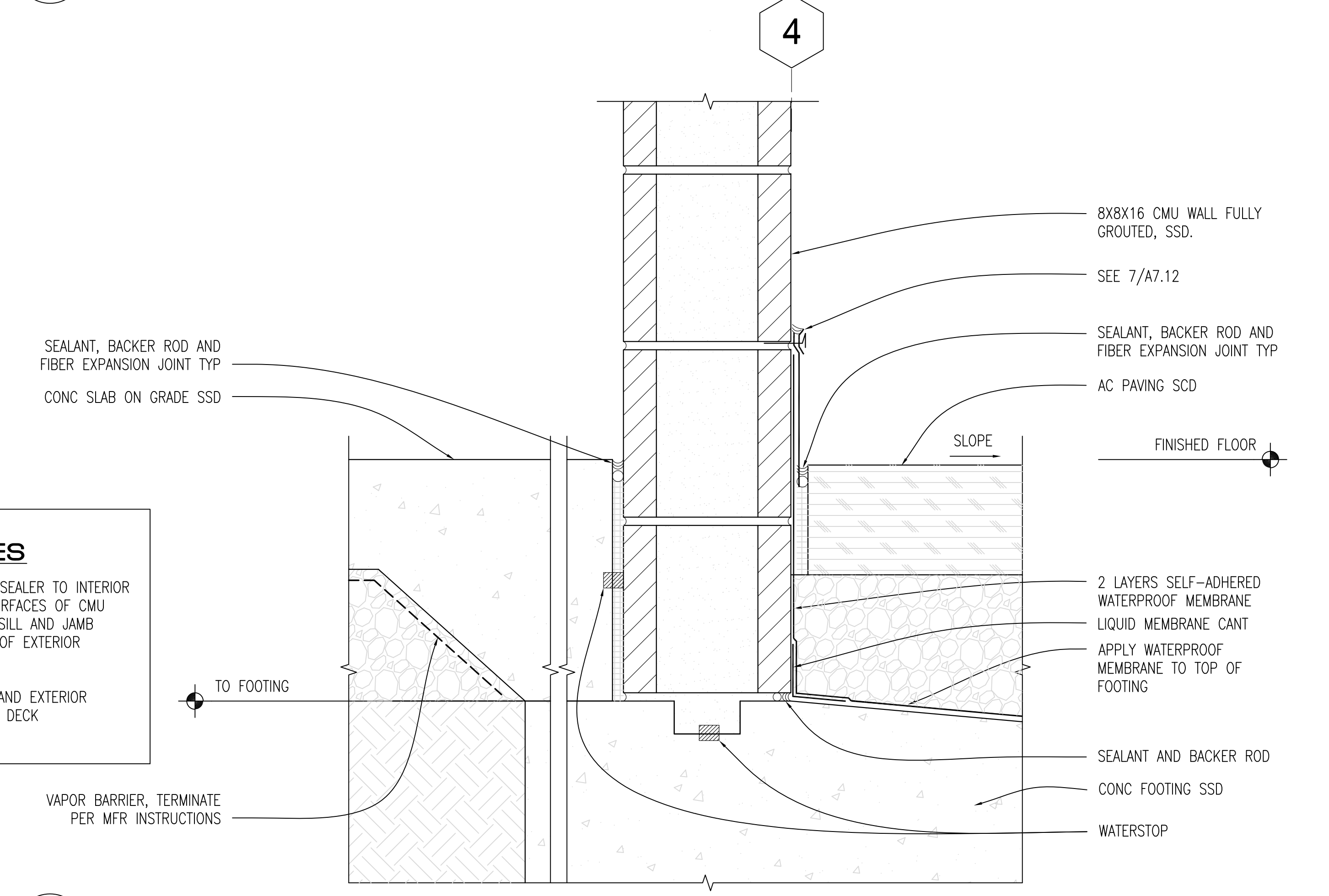
**2 LOUVER JAMB DETAIL**  
 A7.12 3" = 1'-0"



**3 DOOR JAMB DETAILS**  
 A7.12 3" = 1'-0"



**7 CONC CURB AT CONC SLAB EDGE DETAIL**  
 A7.12 3" = 1'-0"



**4 CMU WALL AT CONC SLAB EDGE DETAIL**  
 A7.12 3" = 1'-0"

**SHEET NOTES**

1. APPLY PENETRATING SEALER TO INTERIOR AND EXTERIOR EXPOSED SURFACES OF CMU AND CONCRETE INCLUDING SILL AND JAMB SURFACES AND ALL FACES OF EXTERIOR CONCRETE CURBS
2. PAINT ALL INTERIOR AND EXTERIOR EXPOSED STEEL AND METAL DECK

IDENTIFICATION STAMP  
 DIVISION OF THE STATE ARCHITECT  
 APPLICATION NUMBER 01-11618  
 AC \_\_\_\_\_ FLS \_\_\_\_\_ BS \_\_\_\_\_  
 DATE \_\_\_\_\_

CALIFORNIA STATE FIRE MARSHAL  
 APPROVED  
APPROVAL OF THIS PLAN DOES NOT AUTHORIZE OR APPROVE ANY  
 OVERLOOK OR DEVIATION FROM APPLICABLE REGULATIONS. FINAL  
 APPROVAL IS SUBJECT TO REG. INSTRUCTIONS. ONE SET OF APPROVED  
 PLANS SHALL BE AVAILABLE ON THE PROJECT SITE AT ALL TIMES.  
 REVIEWED BY: \_\_\_\_\_ DATE: \_\_\_\_\_

**CAÑADA COLLEGE**  
 Electrical  
 Infrastructure  
 Replacement  
 Project  
 4200 Farm Hill Blvd  
 Redwood City, CA 94061

LICENSED ARCHITECT  
 CHRISTOPHER NOLL  
 REN. 12/31/11  
 C15916  
 STATE OF CALIFORNIA

RECORD DRAWING

SHEET TITLE  
**EXT DETAILS**

REVISIONS		
NO.	DATE	DESCRIPTION

DATE July 9, 2012  
 DRAWN TC/AL  
 CHECKED MM  
 SCALE AS NOTED  
 JOB NO. 2921.01

SHEET NUMBER  
**A7.12**