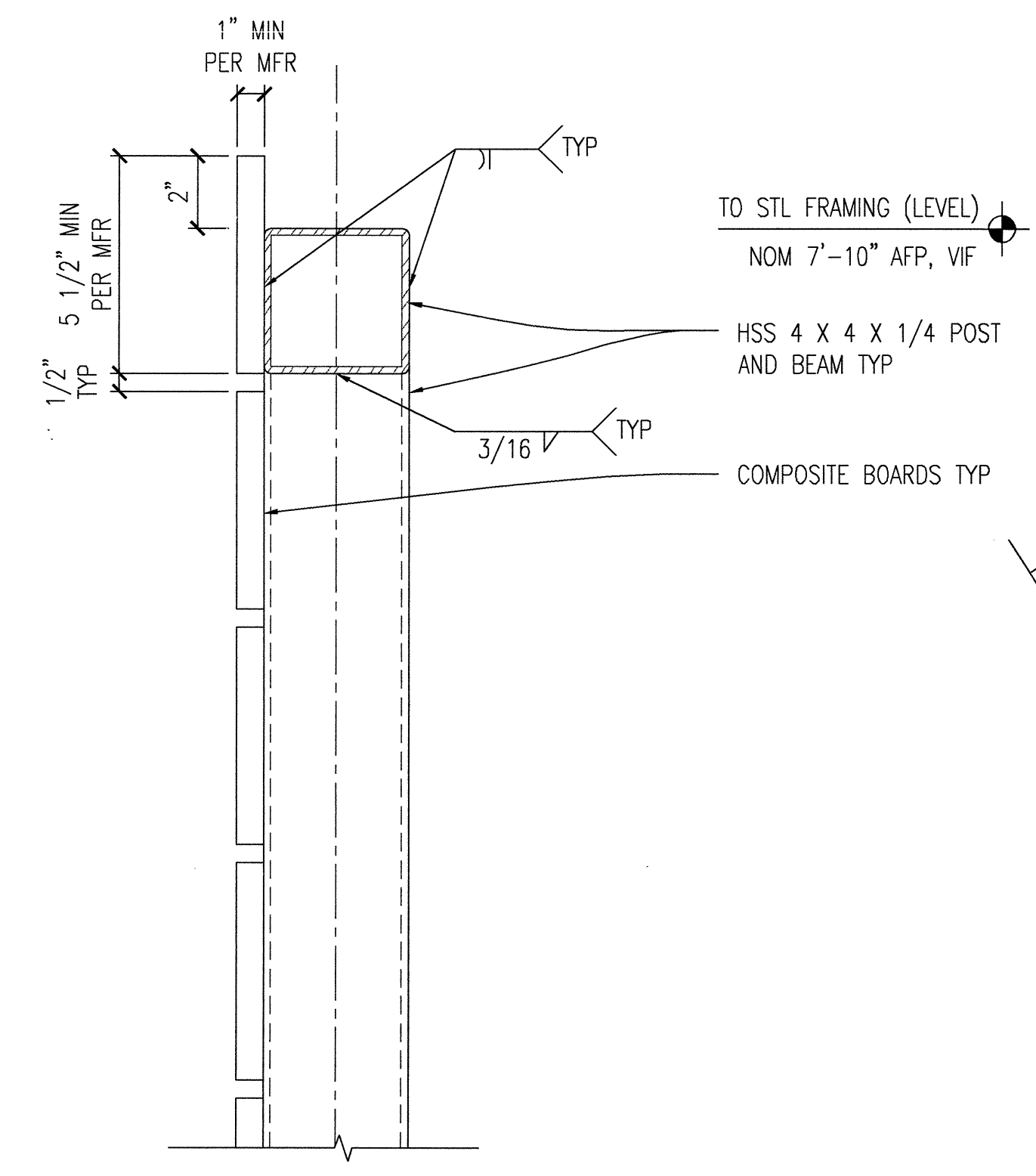
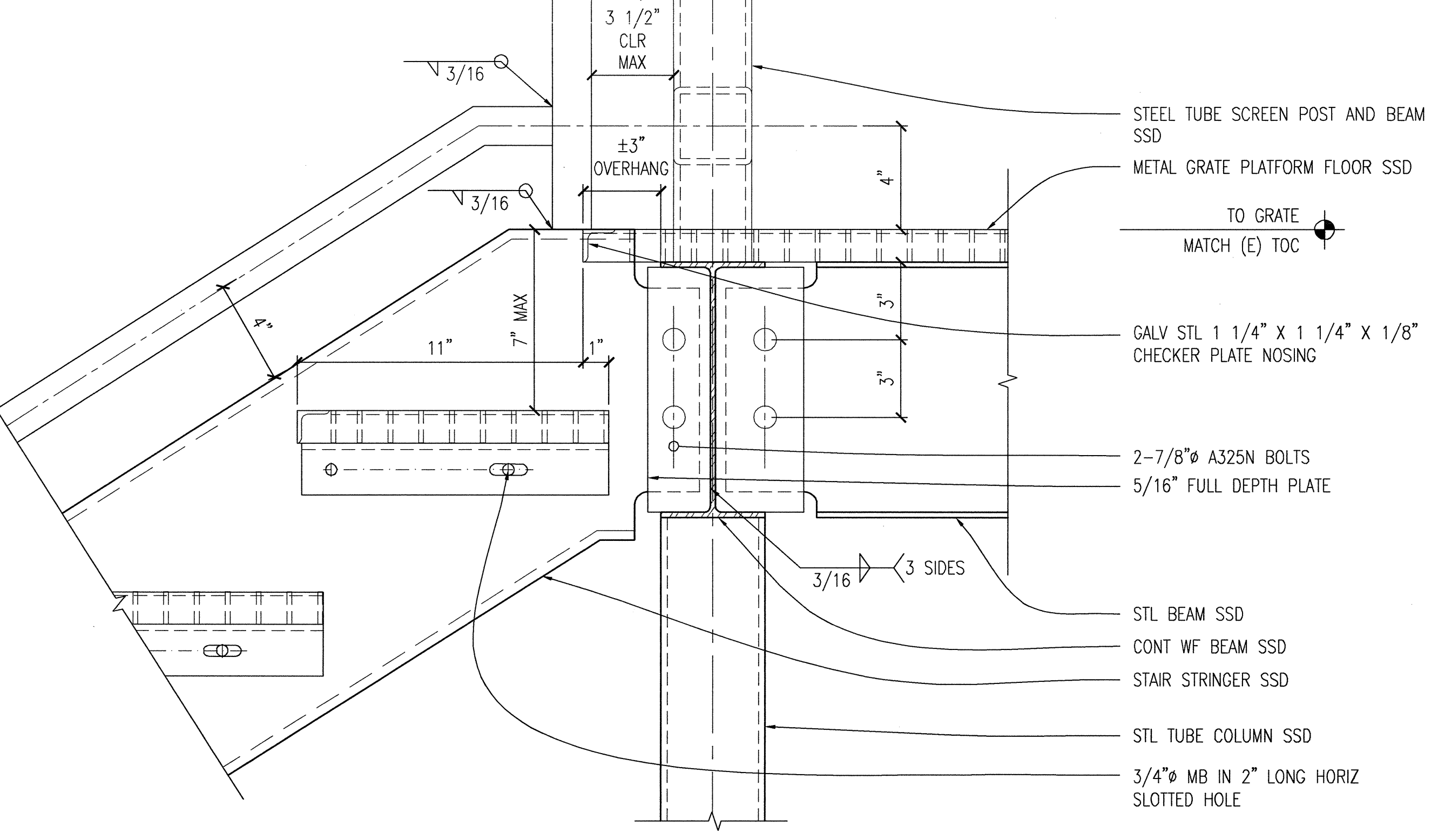


**SHEET NOTES**

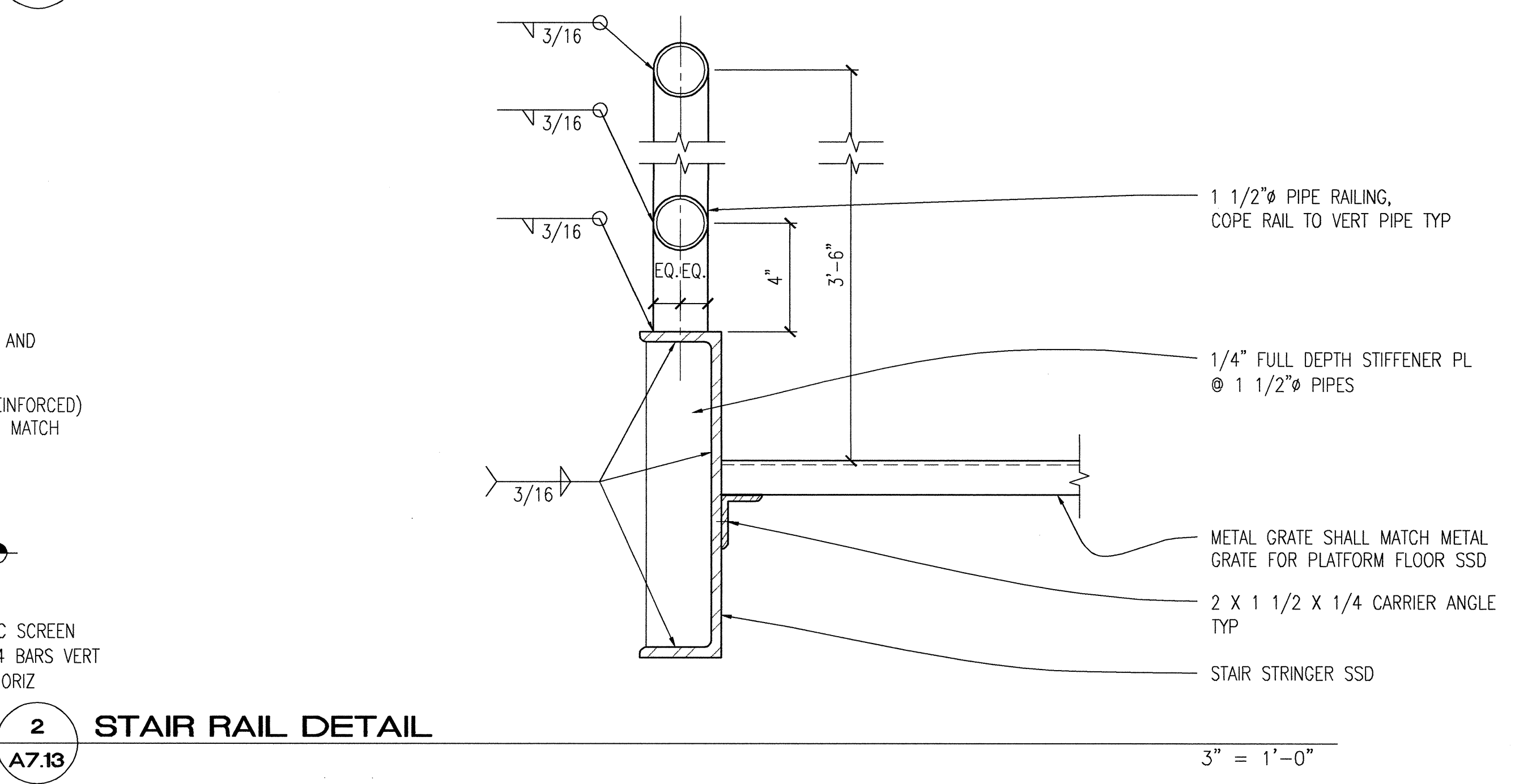
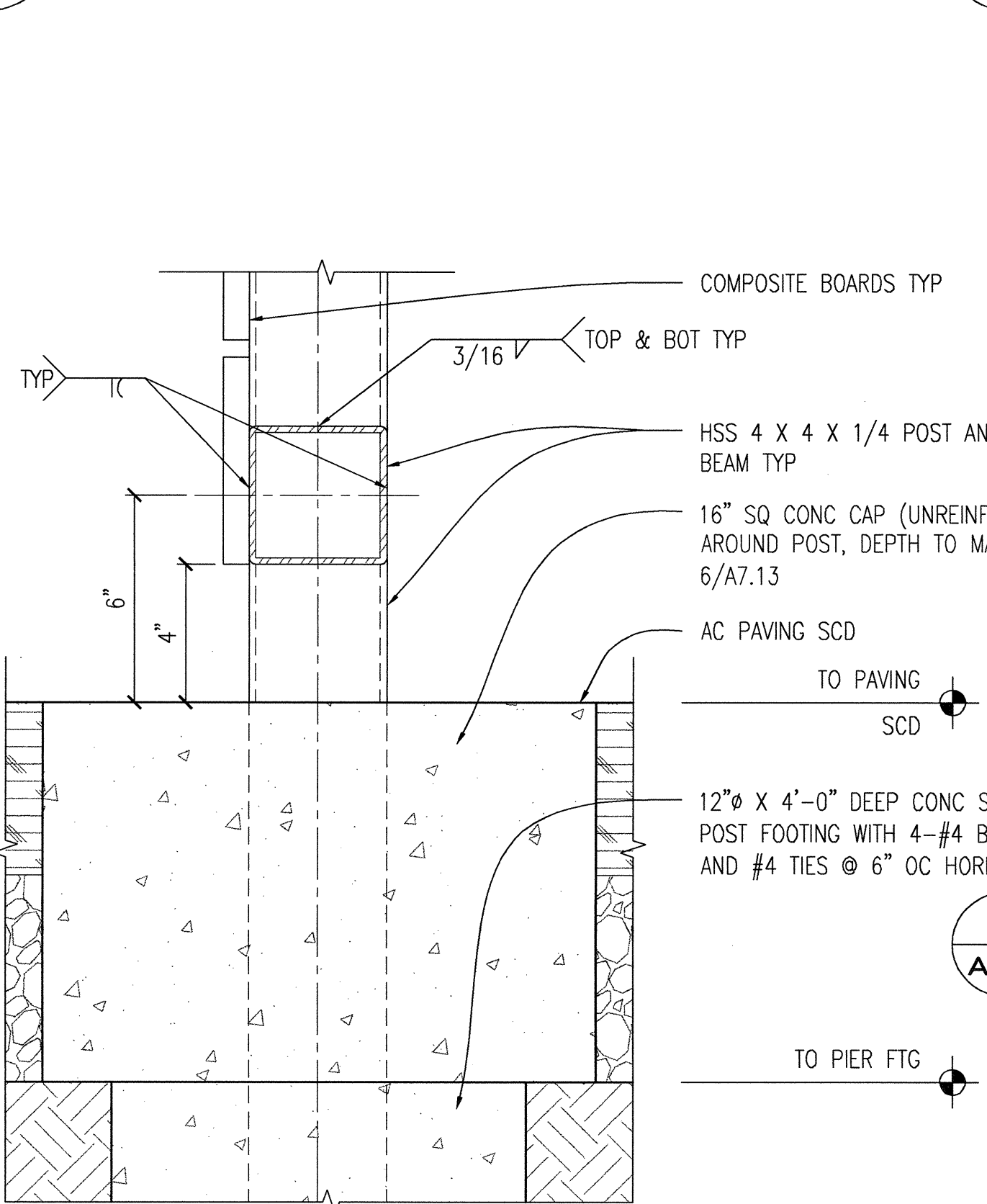
1. ALL EXPOSED STEEL INCLUDING RAILINGS, WITH THE EXCEPTION OF GRATING, TO BE GALV AND PAINTED.
2. SEE A3.21 FOR TYPICAL ATTACHMENT OF COMPOSITE BOARDS.



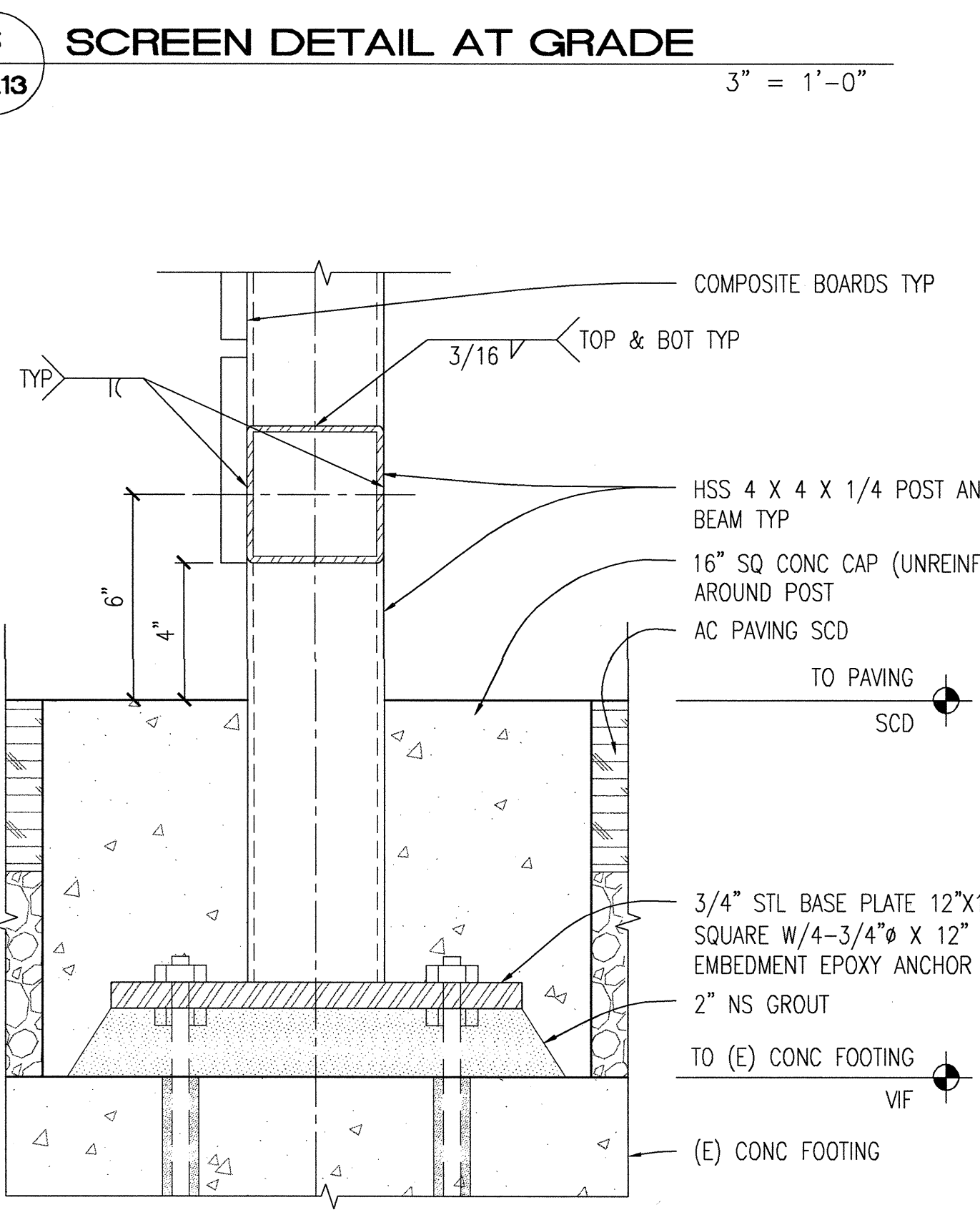
**4 TOP OF SCREEN DETAIL**  
3" = 1'-0"



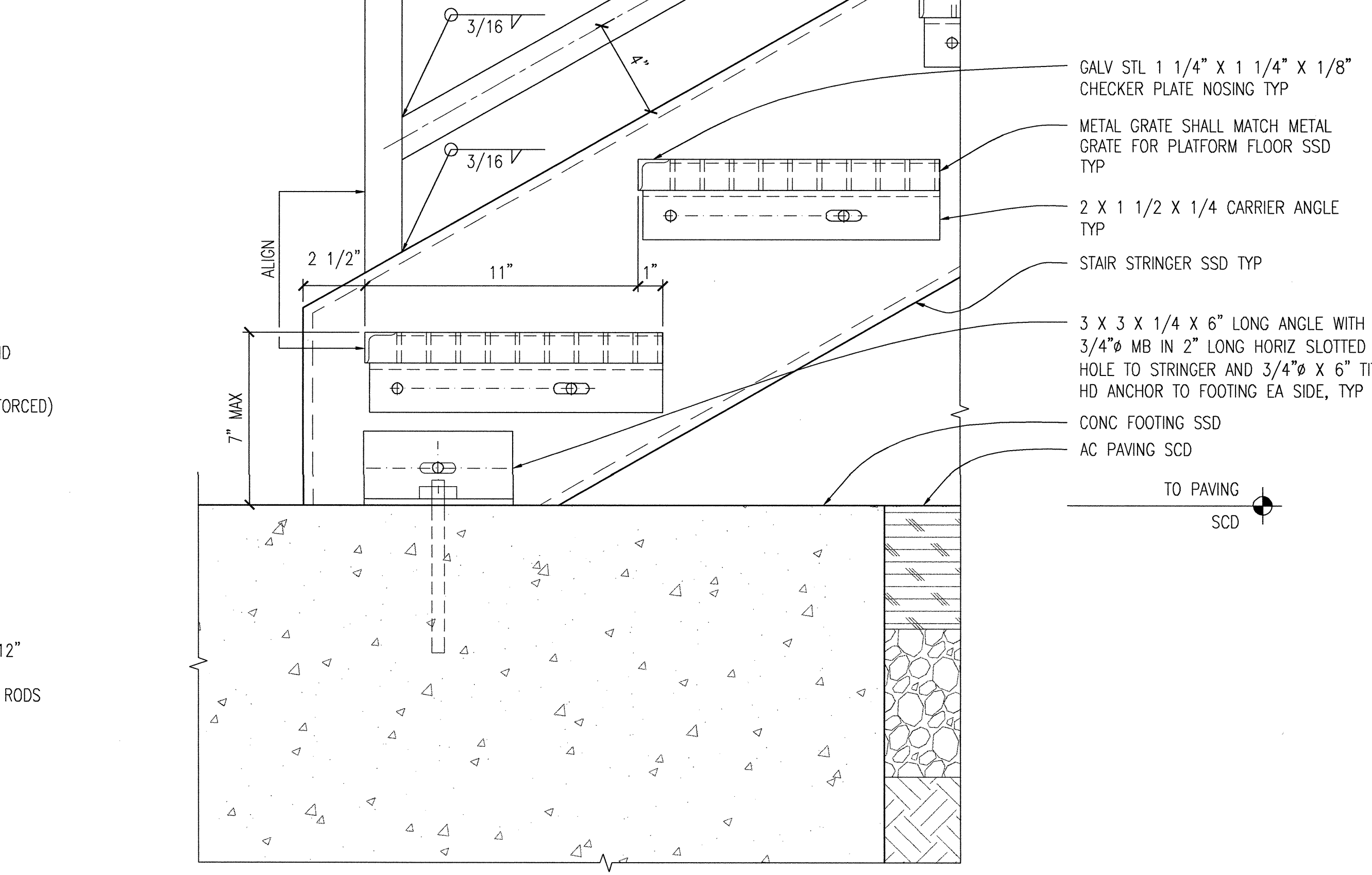
**1 TOP OF STAIR AT PLATFORM DETAIL**  
3" = 1'-0"



**2 STAIR RAIL DETAIL**  
3" = 1'-0"

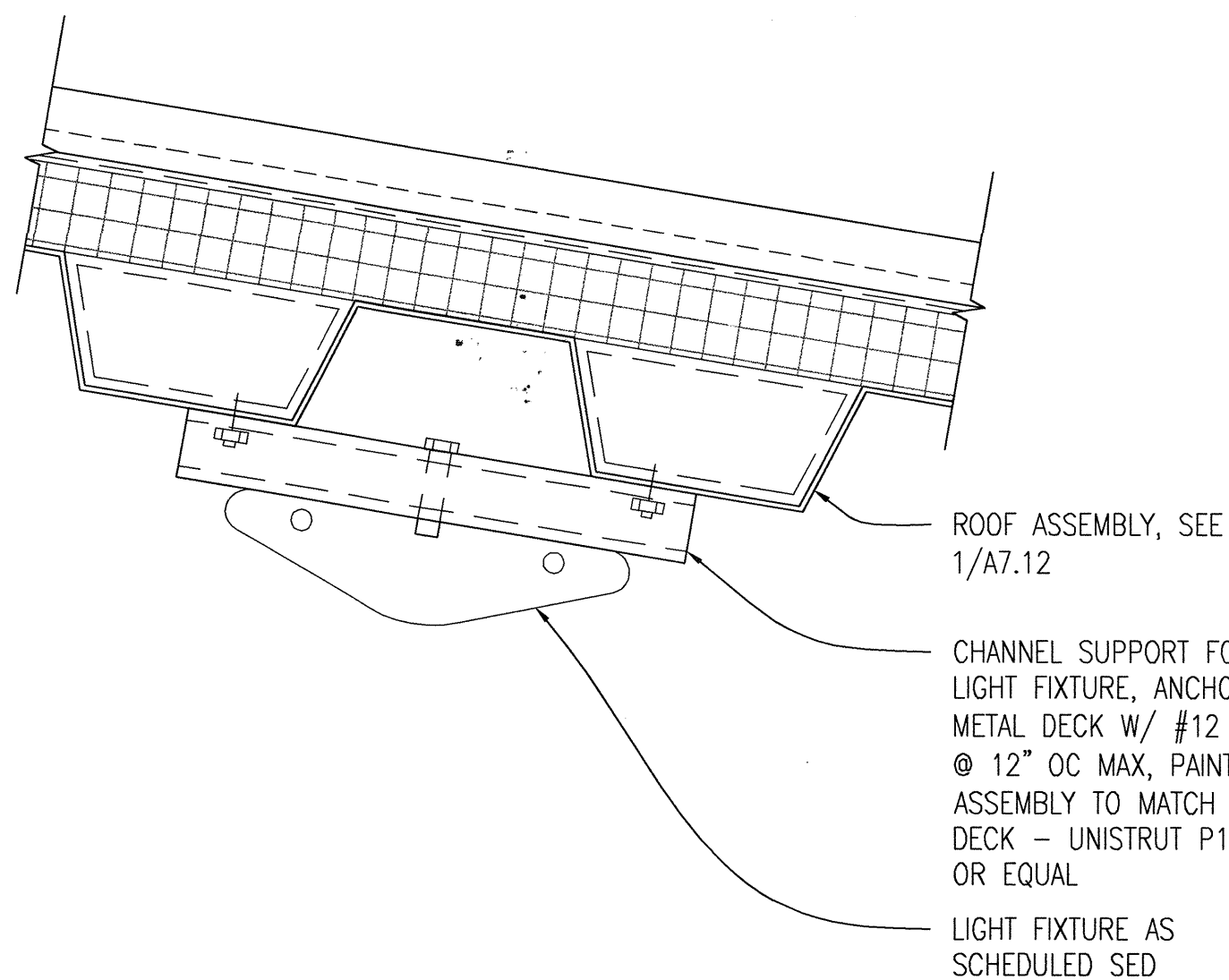


**5 SCREEN DETAIL AT GRADE**  
3" = 1'-0"

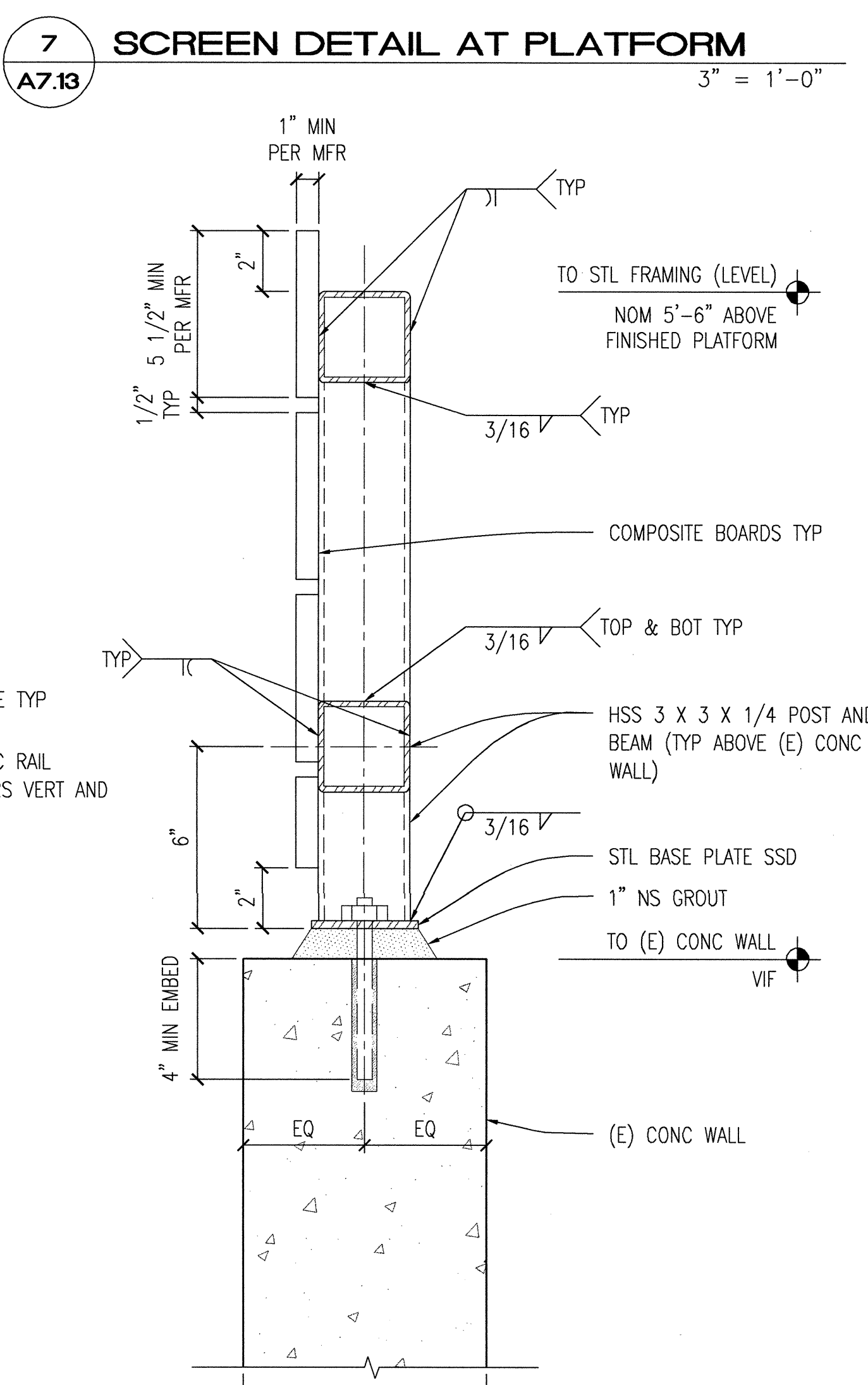


**3 STAIR DETAIL AT GRADE**  
3" = 1'-0"

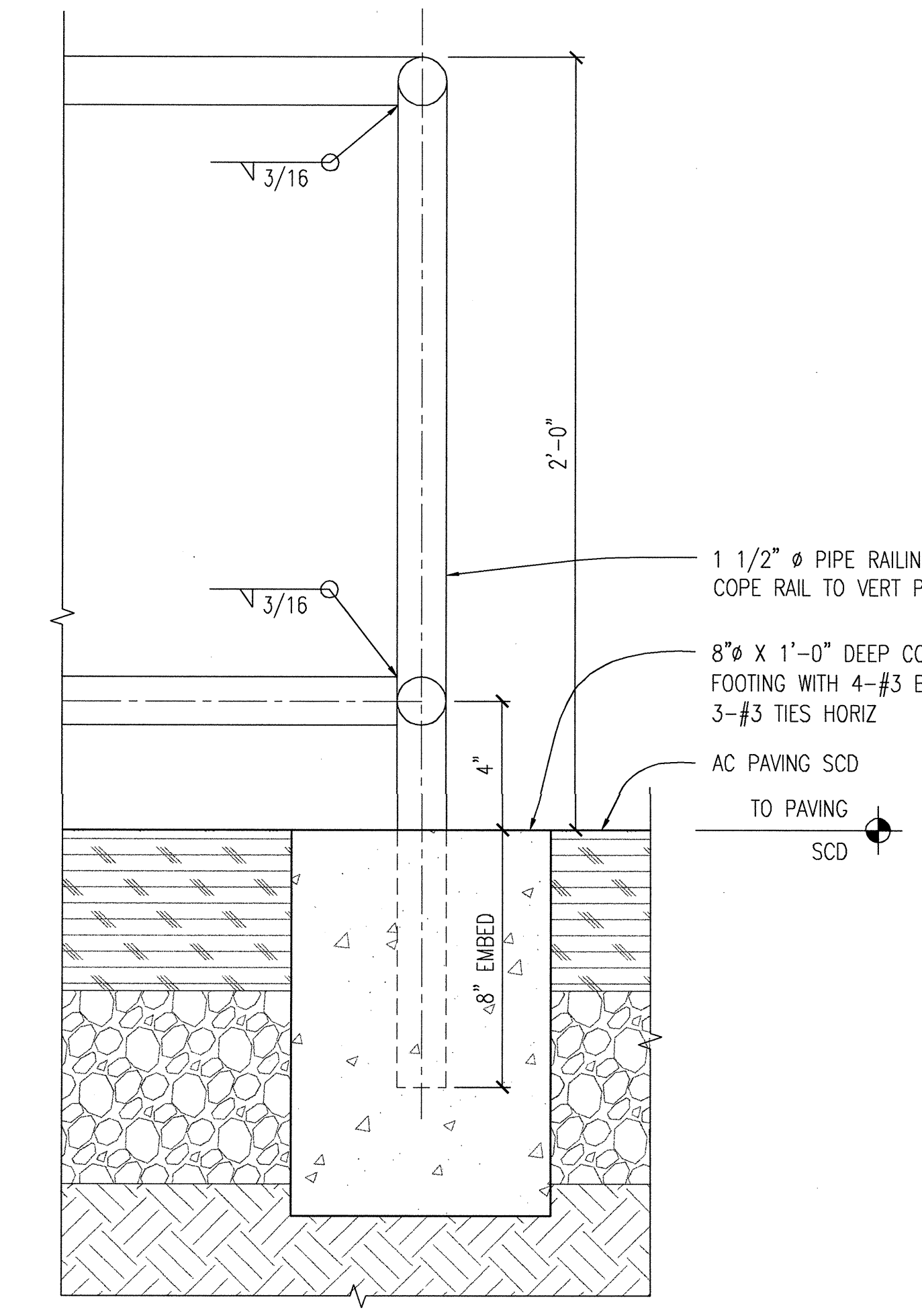
**6 SCREEN DETAIL AT EXISTING FOOTING**  
3" = 1'-0"



**10 LIGHT FIXTURE ATTACHMENT DETAIL**  
3" = 1'-0"



**7 SCREEN DETAIL AT PLATFORM**  
3" = 1'-0"



**11 RAIL DETAIL AT GRADE BELOW STAIR**  
3" = 1'-0"

**8 SCREEN DETAIL AT EXISTING WALL**  
3" = 1'-0"

IDENTIFICATION STAMP  
DIVISION OF THE STATE ARCHITECT  
APPLICATION NUMBER: 11618  
AC: [initials] FS: [initials] [initials]  
DATE: 2/9/11  
CALIFORNIA STATE FIRE MARSHAL  
APPROVED  
APPROVAL OF THIS PLAN DOES NOT AUTHORIZE OR APPROVE ANY  
DESIGN OR CONSTRUCTION FROM ANY REGULATIONS. FINAL  
APPROVAL IS SUBJECT TO FIELD INSPECTION. ONE SET OF APPROVED  
PLANS SHALL BE AVAILABLE ON THE PROJECT SITE AT ALL TIMES.  
REVIEWED BY: \_\_\_\_\_ DATE: \_\_\_\_\_

**CAÑADA COLLEGE**  
Electrical  
Infrastructure  
Replacement  
Project  
4200 Farm Hill Blvd  
Redwood City, CA 94061

LEEDS ARCHITECT  
CHRISTOPHER NOLL  
REN. 12/31/11  
C15916  
**BID SET**

SHEET TITLE  
**Bldg 16-  
EXT DETAILS**

| NO. | DATE | DESCRIPTION |
|-----|------|-------------|
|     |      |             |
|     |      |             |
|     |      |             |
|     |      |             |

DATE: January 14, 2011  
DRAWN: TC/AL  
CHECKED: MM  
SCALE: AS NOTED  
JOB NO.: 2921.01  
SHEET NUMBER  
**A7.13**