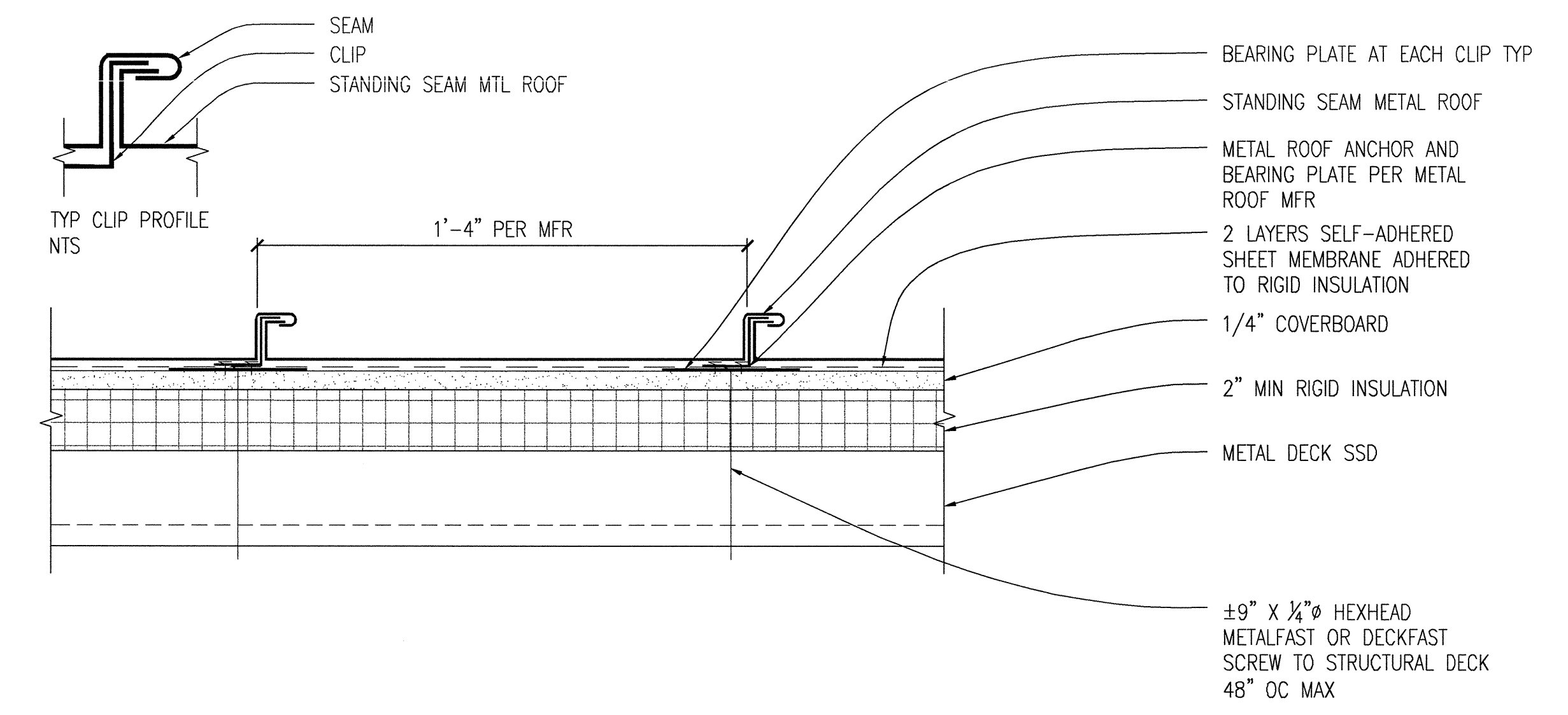
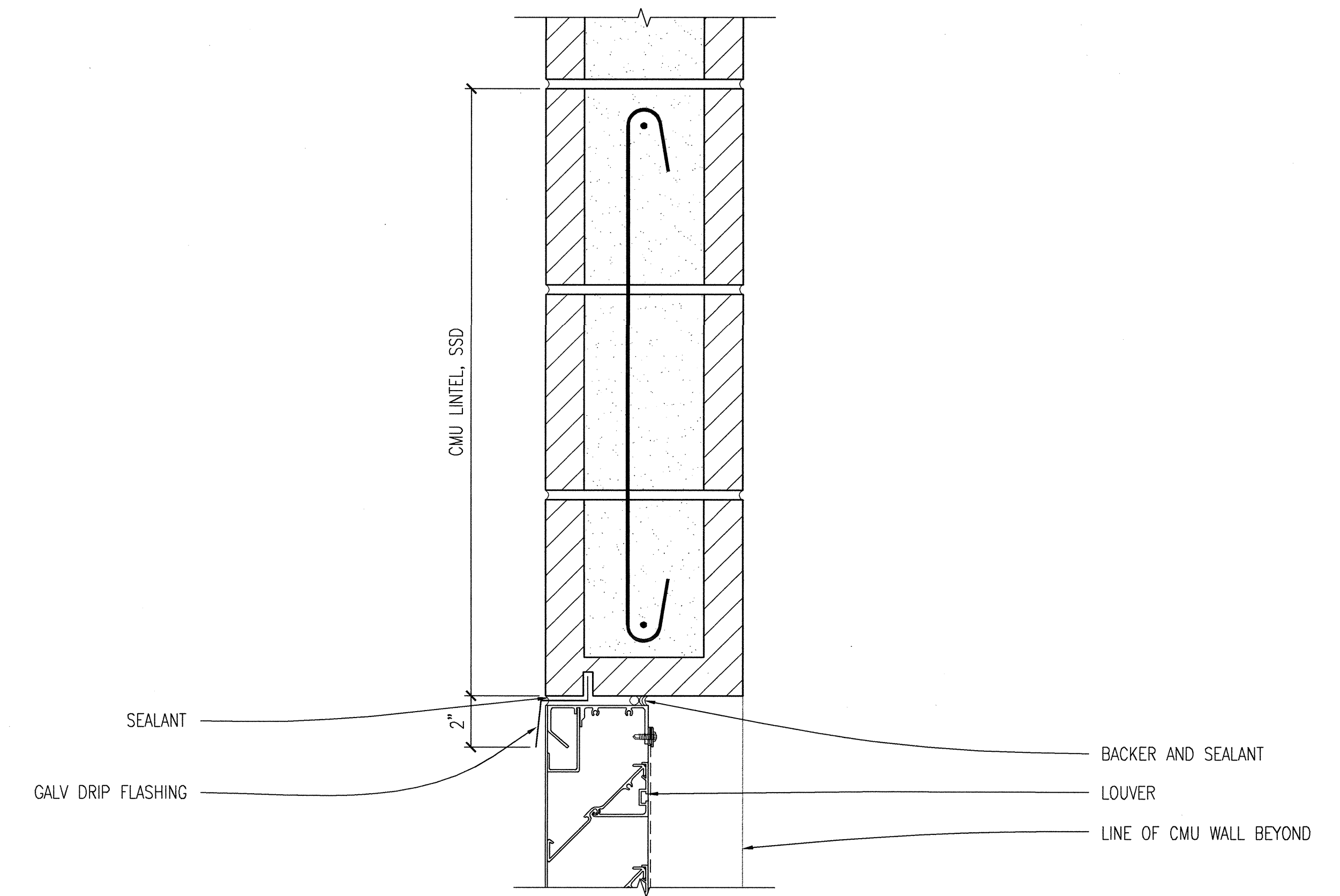


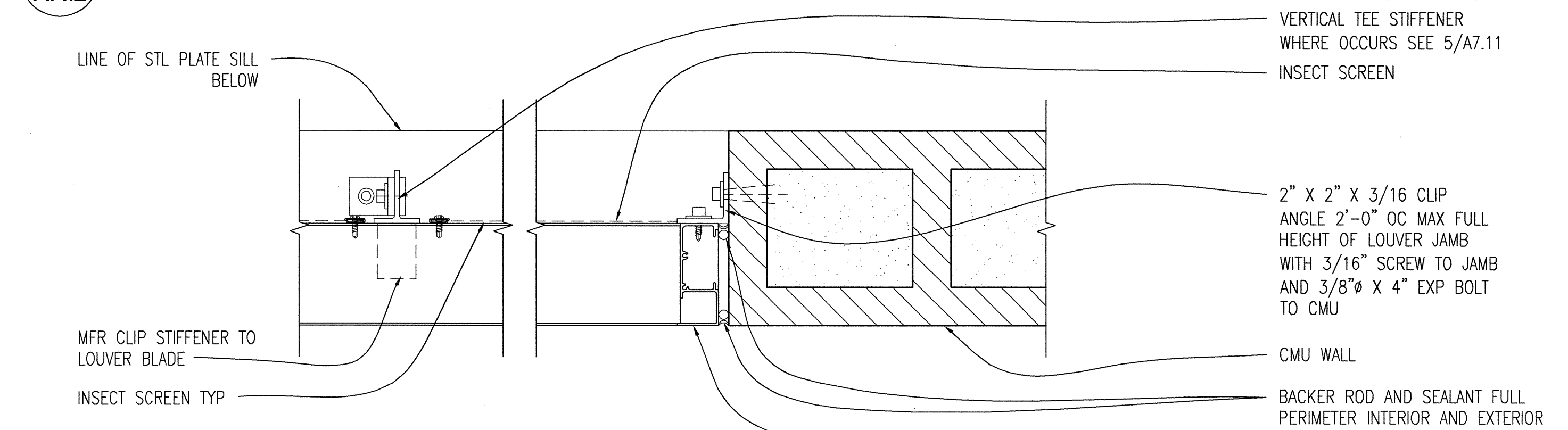
5 ROOF RAKE AT CMU WALL DETAIL
A7.12 3" = 1'-0"



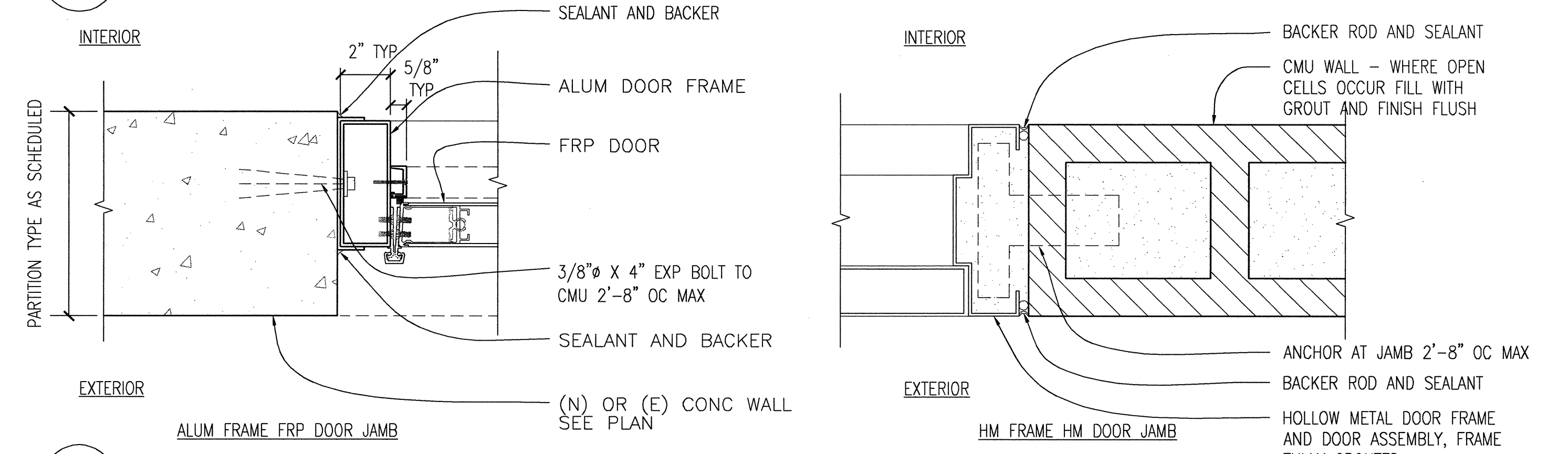
1 METAL ROOF ASSEMBLY
A7.12 3" = 1'-0"



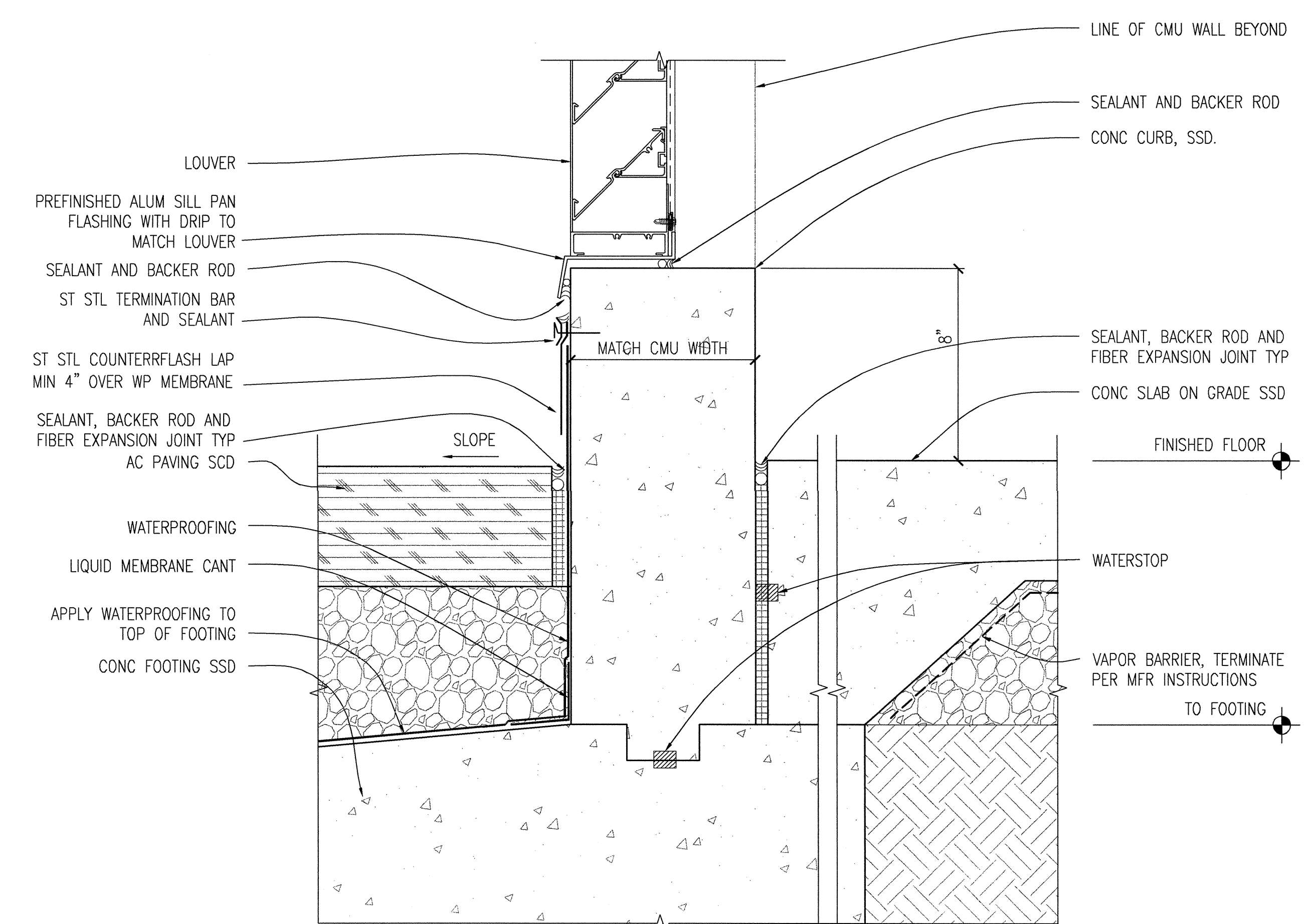
6 LOUVER HEAD DETAIL
A7.12 3" = 1'-0"



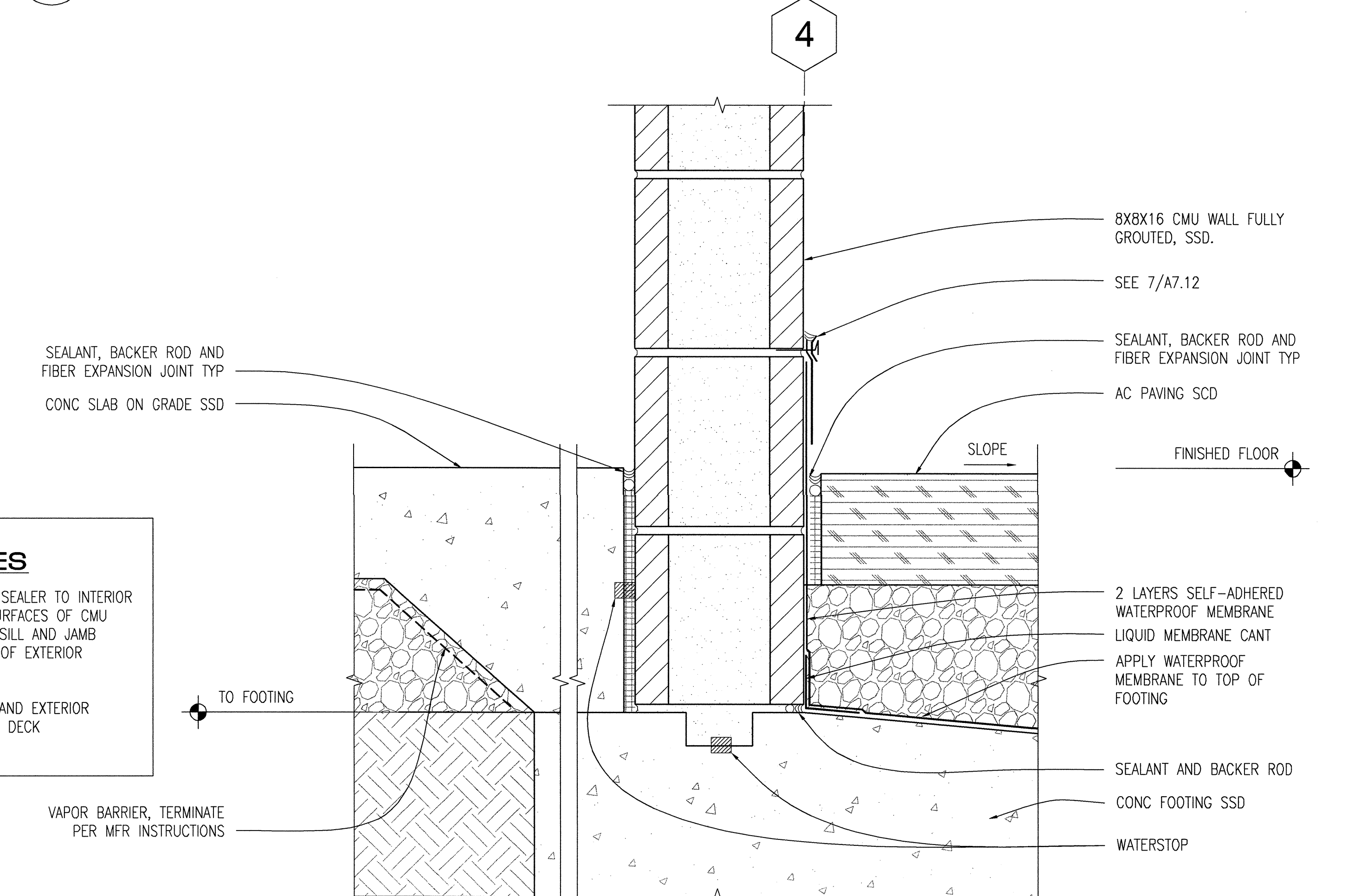
2 LOUVER JAMB DETAIL
A7.12 3" = 1'-0"



3 DOOR JAMB DETAILS
A7.12 3" = 1'-0"



7 CONC CURB AT CONC SLAB EDGE DETAIL
A7.12 3" = 1'-0"



4 CMU WALL AT CONC SLAB EDGE DETAIL
A7.12 3" = 1'-0"

SHEET NOTES

1. APPLY PENETRATING SEALER TO INTERIOR AND EXTERIOR EXPOSED SURFACES OF CMU AND CONCRETE INCLUDING SILL AND JAMB SURFACES AND ALL FACES OF EXTERIOR CONCRETE CURBS
2. PAINT ALL INTERIOR AND EXTERIOR EXPOSED STEEL AND METAL DECK

IDENTIFICATION STAMP
DIVISION OF THE STATE ARCHITECT
APPLICATION NUMBER 05-111618
AC: [Signature] RLS: [Signature] WEL: [Signature]
DATE 2/9/11
CALIFORNIA STATE FIRE MARSHAL
APPROVED
APPROVAL OF THIS PLAN DOES NOT AUTHORIZE OR APPROVE ANY OMISSION OR DEVIATION FROM APPLICABLE REGULATIONS. FINAL APPROVAL IS SUBJECT TO FIELD INSPECTION. ONE SET OF APPROVED PLANS SHALL BE AVAILABLE ON THE PROJECT SITE AT ALL TIMES.
REVIEWED BY: _____ DATE: _____

CAÑADA COLLEGE
Electrical
Infrastructure
Replacement
Project
4200 Farm Hill Blvd
Redwood City, CA 94061

BID SET

SHEET TITLE
EXT DETAILS

REVISIONS		
NO.	DATE	DESCRIPTION

DATE **January 14, 2011**
DRAWN **TC/AL**
CHECKED **MM**
SCALE **AS NOTED**
JOB NO. **2921.01**
SHEET NUMBER