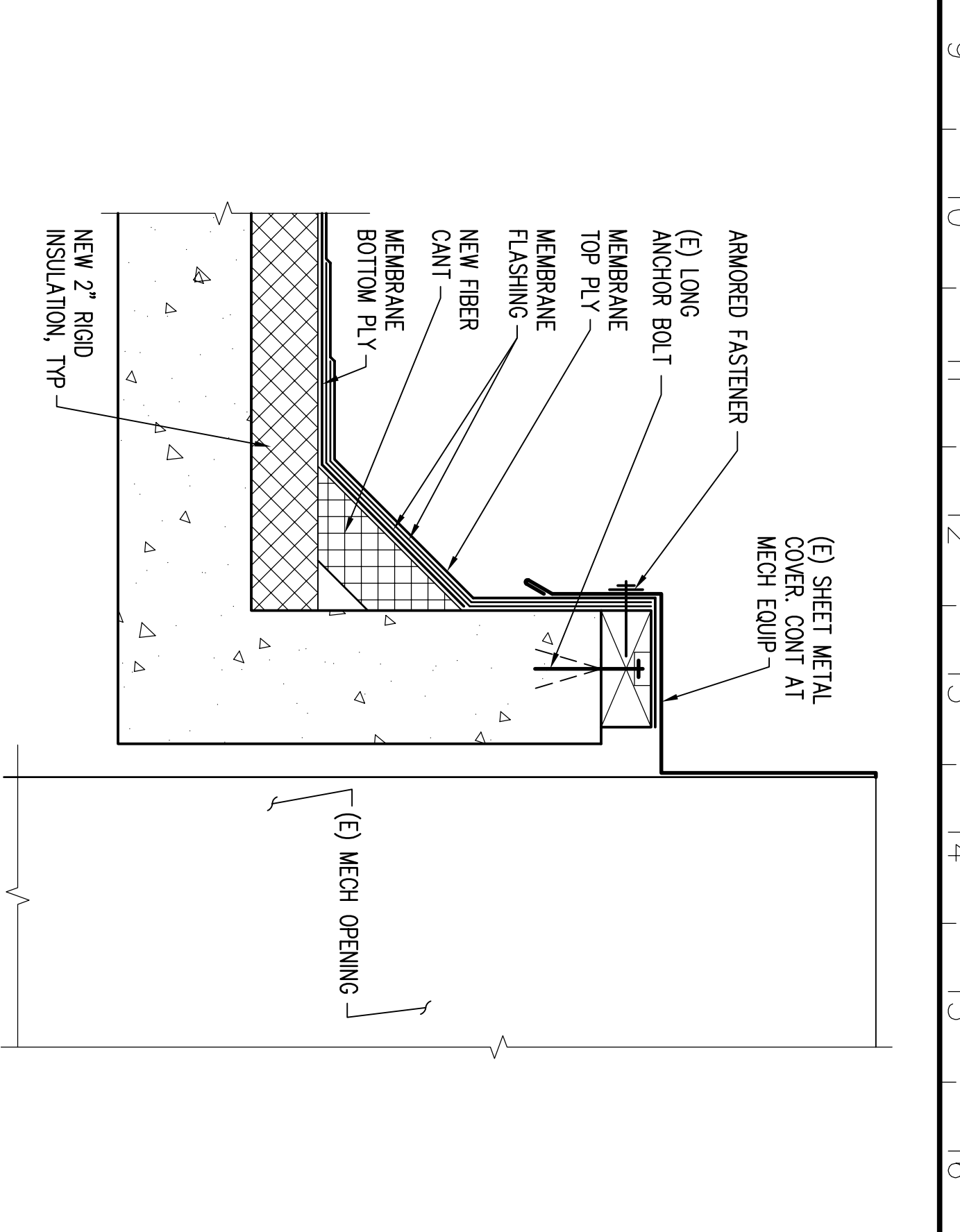
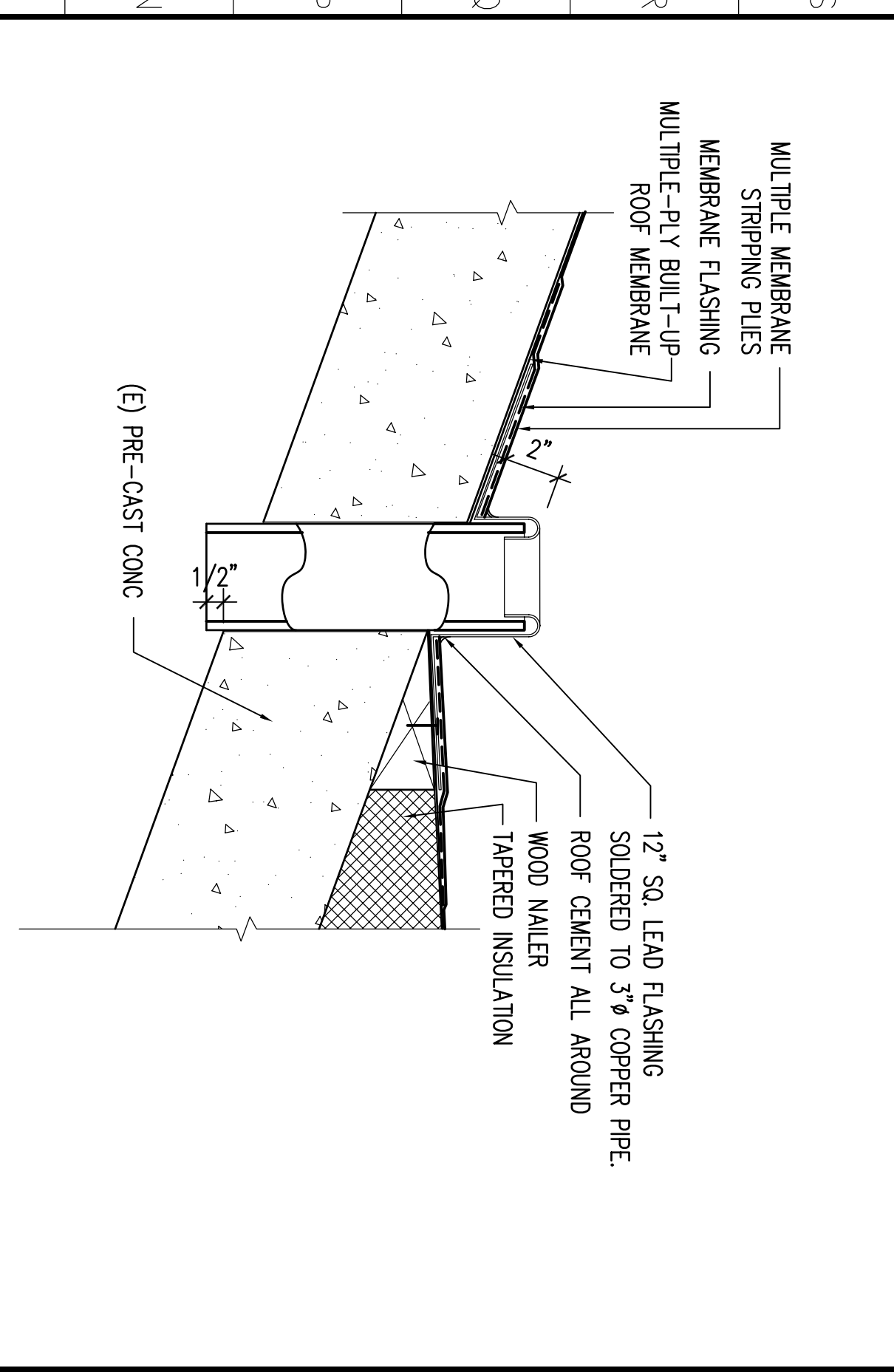


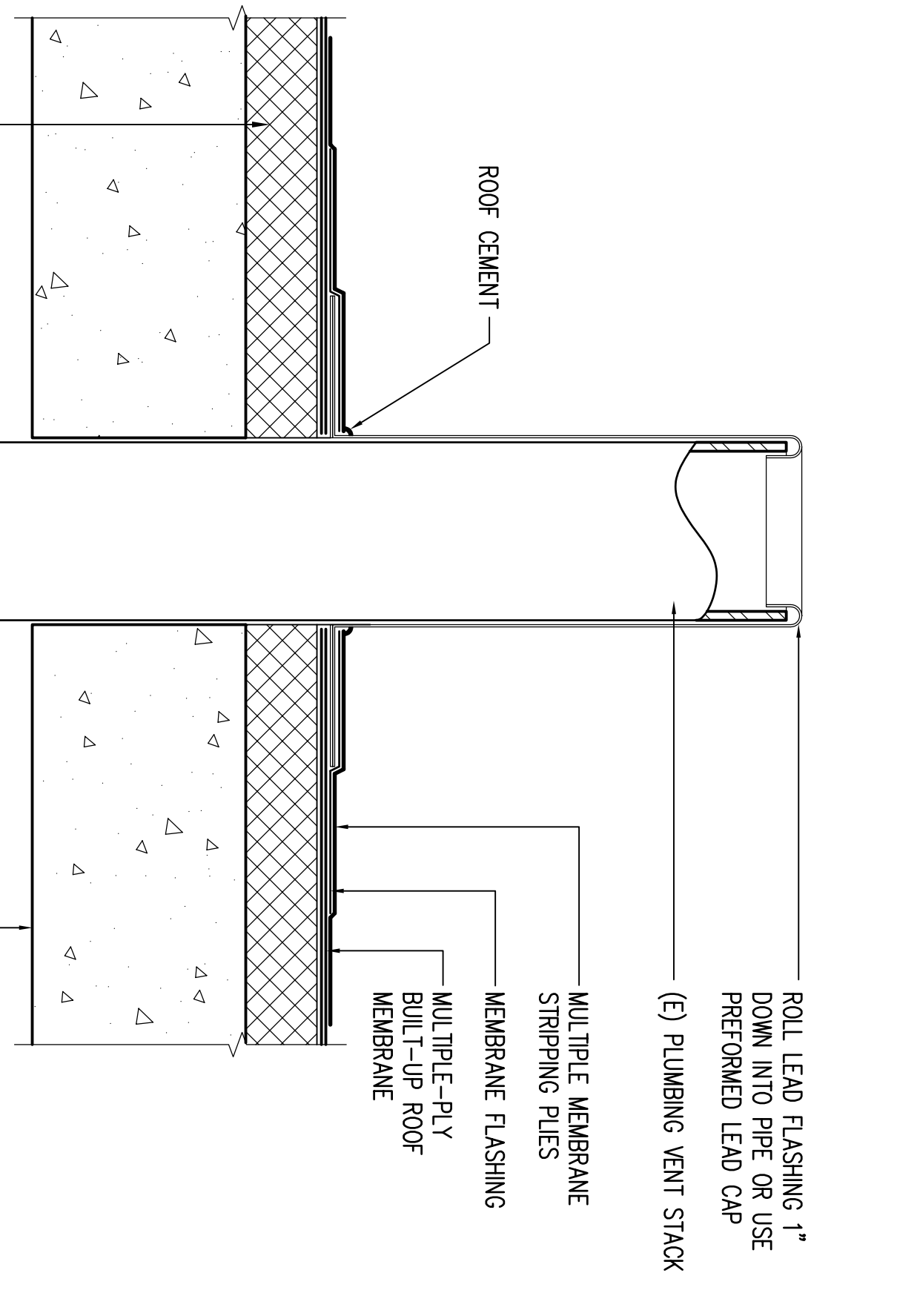
15
 (E) CONDITION
 CURB AT ROOF OPENINGS
 SCALE: 3/8"=1'-0"
 SEE 95/A/171 FOR NEW CONDITION



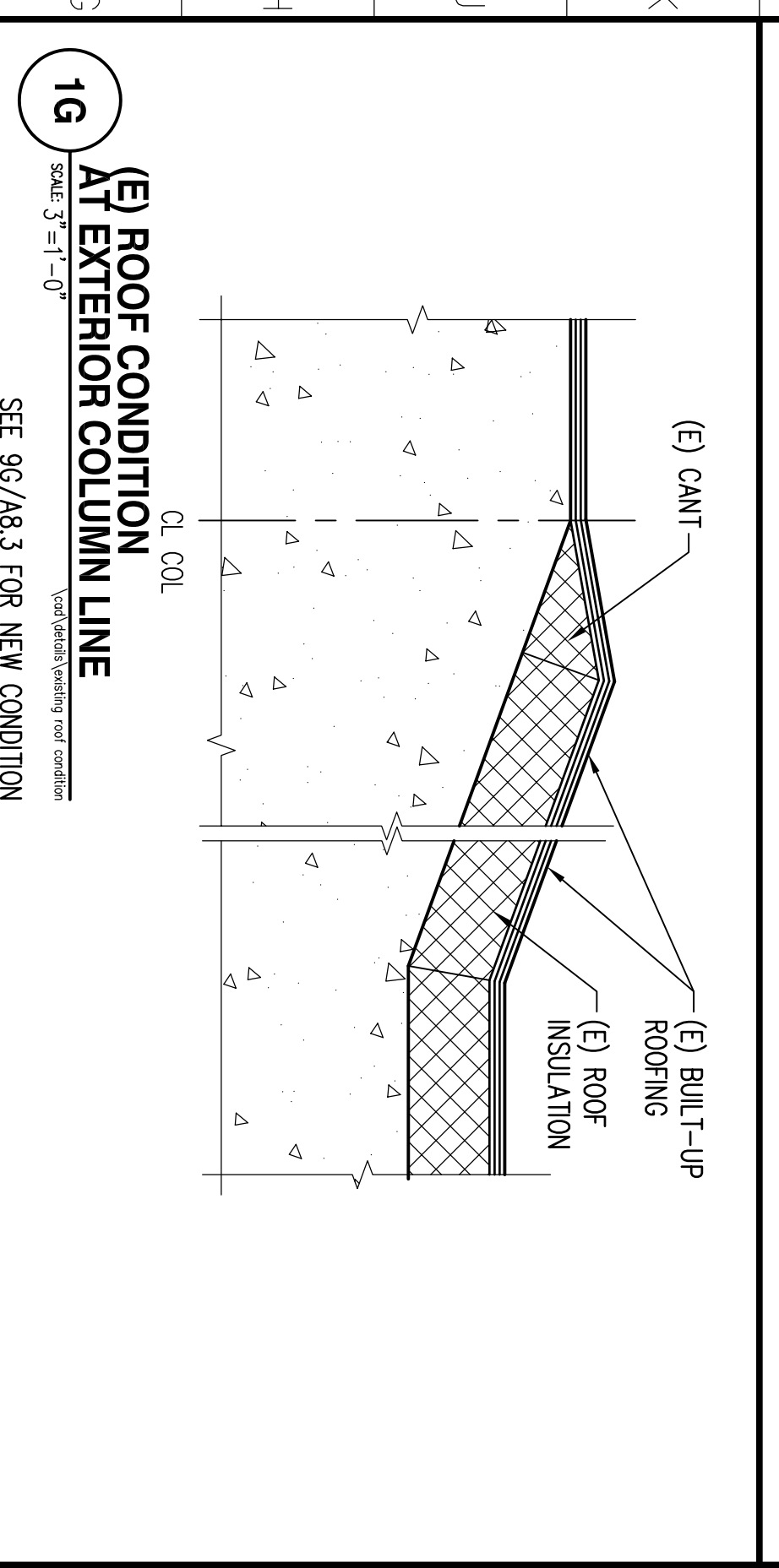
9S
 NEW CONDITION
 CURB AT ROOF OPENINGS
 SCALE: 3/8"=1'-0"
 SEE 15/A/171 FOR (E) CONDITION



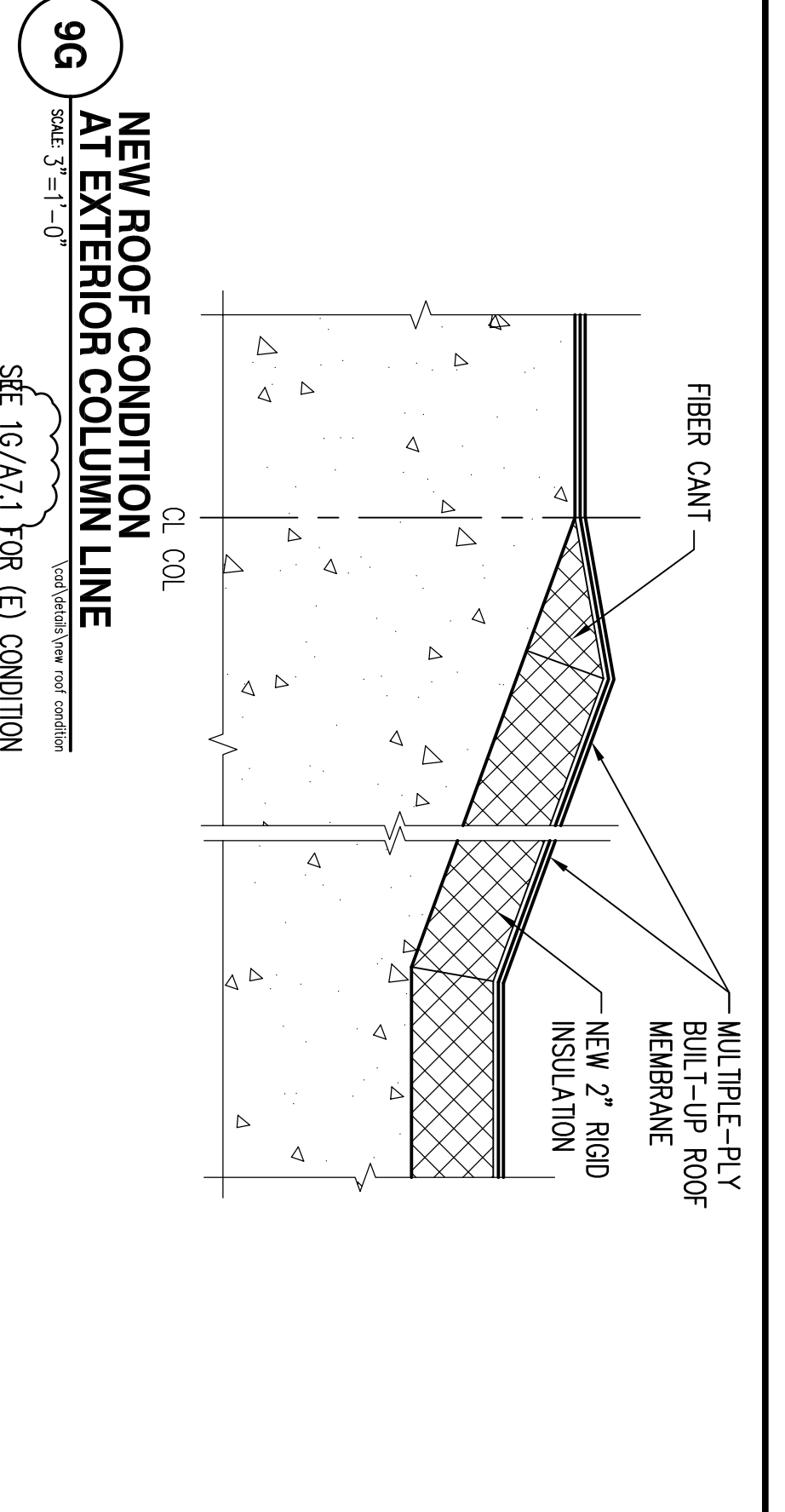
1L
 NEW CONDITION
 OVERFLOW
 SCALE: 3/8"=1'-0"
 VALIDATION: SEE PERMITS



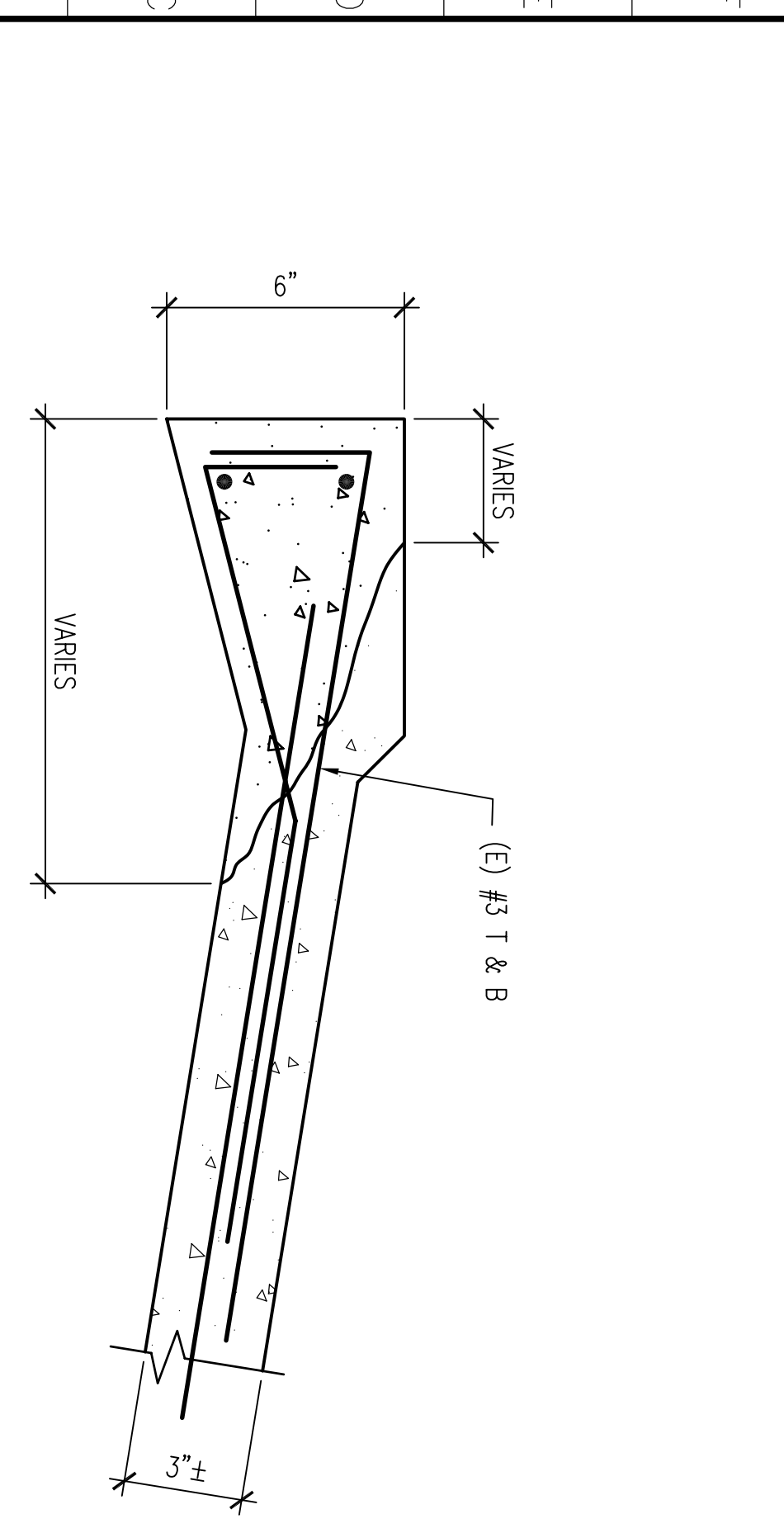
9L
 NEW CONDITION
 VENT PENETRATION
 SCALE: 3/8"=1'-0"
 VALIDATION: SEE PERMITS



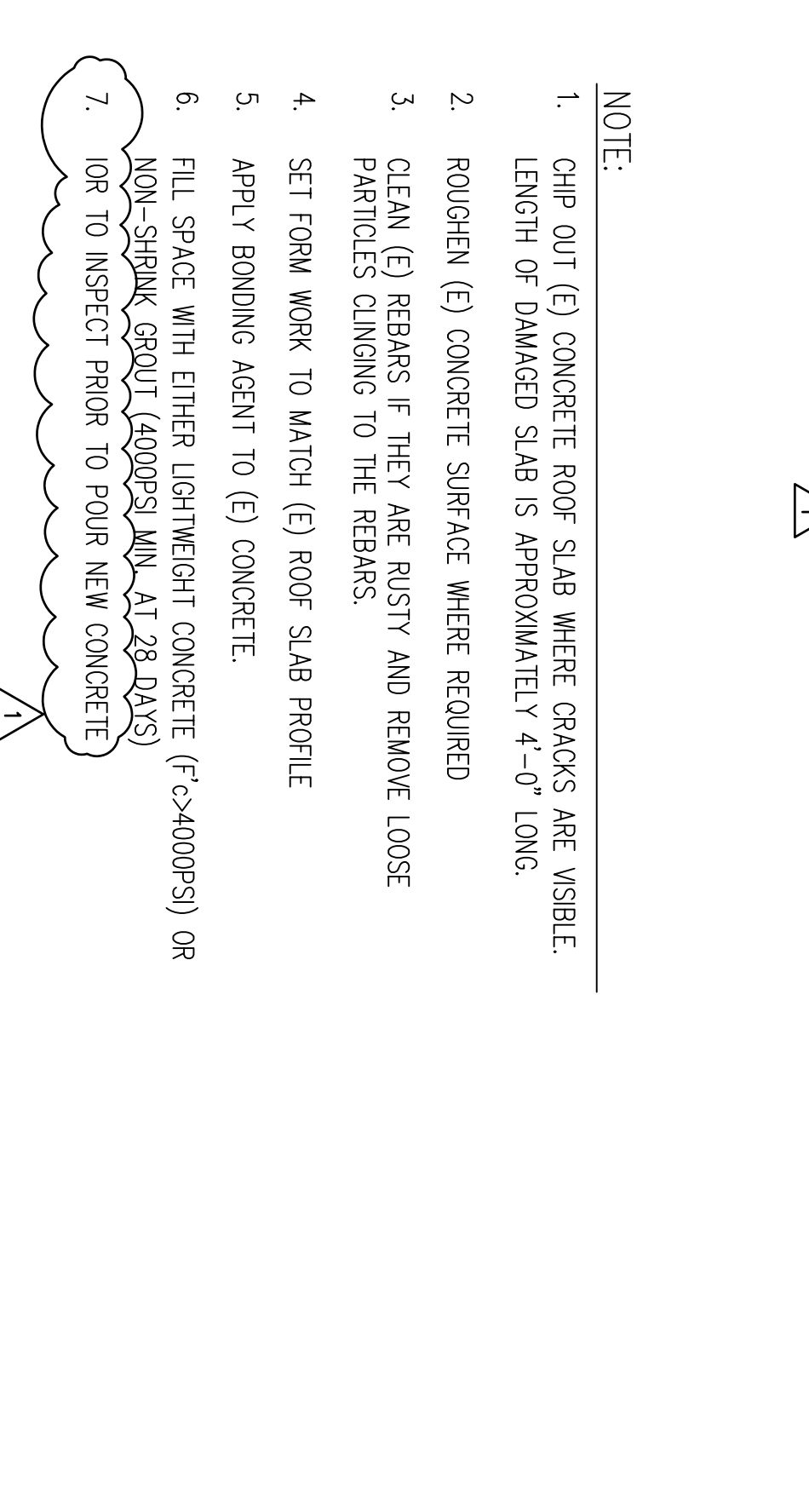
1G
 (E) ROOF CONDITION
 AT EXTERIOR COLUMN LINE
 SCALE: 3/8"=1'-0"
 SEE 96/A/8.3 FOR NEW CONDITION



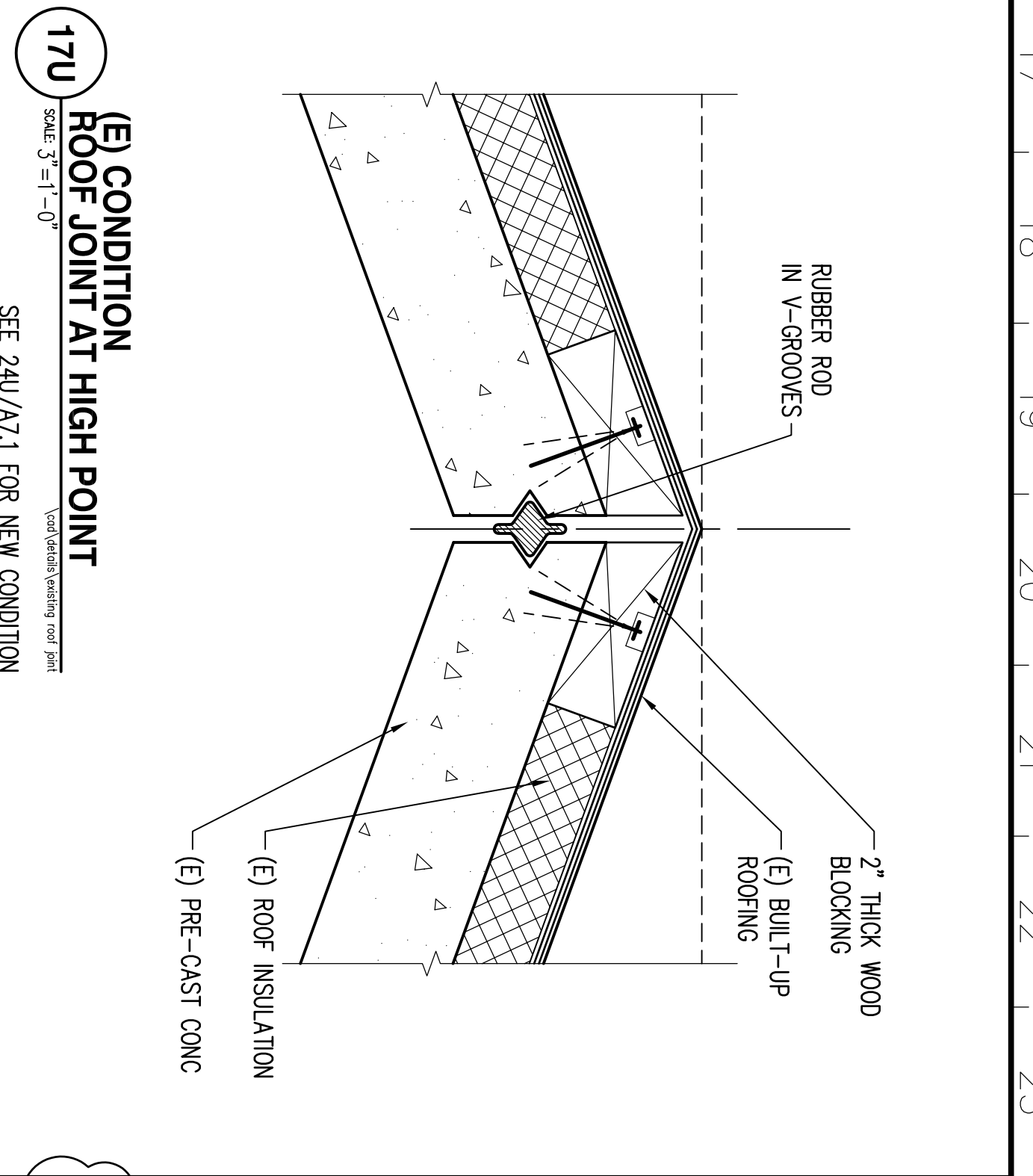
9G
 NEW ROOF CONDITION
 AT EXTERIOR COLUMN LINE
 SCALE: 3/8"=1'-0"
 SEE 16/A/21 FOR (E) CONDITION



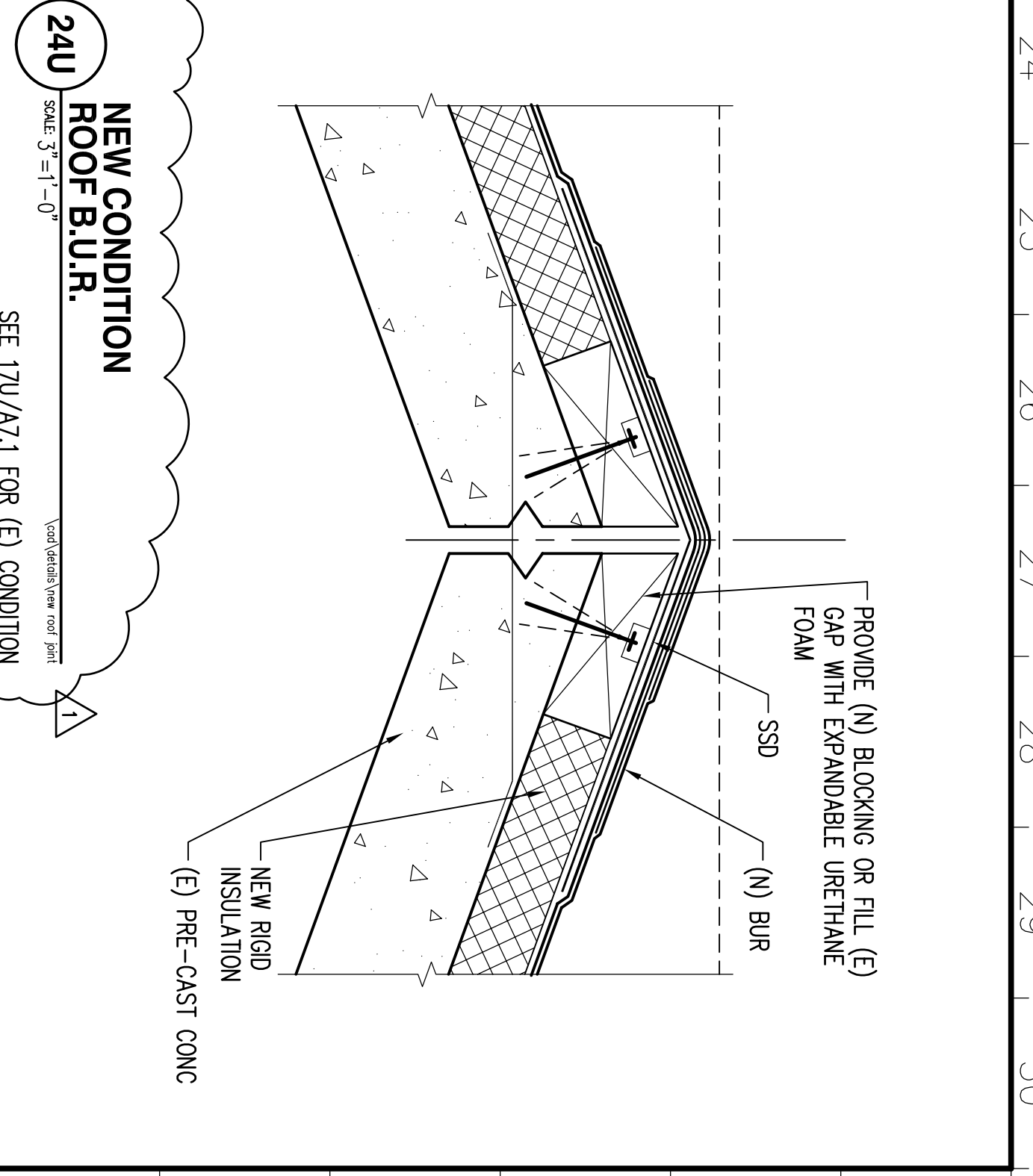
1A
 REPAIR OF (E) COVERED WALKWAY SLAB
 SCALE: 3/8"=1'-0"
 VALIDATION: SEE PERMITS



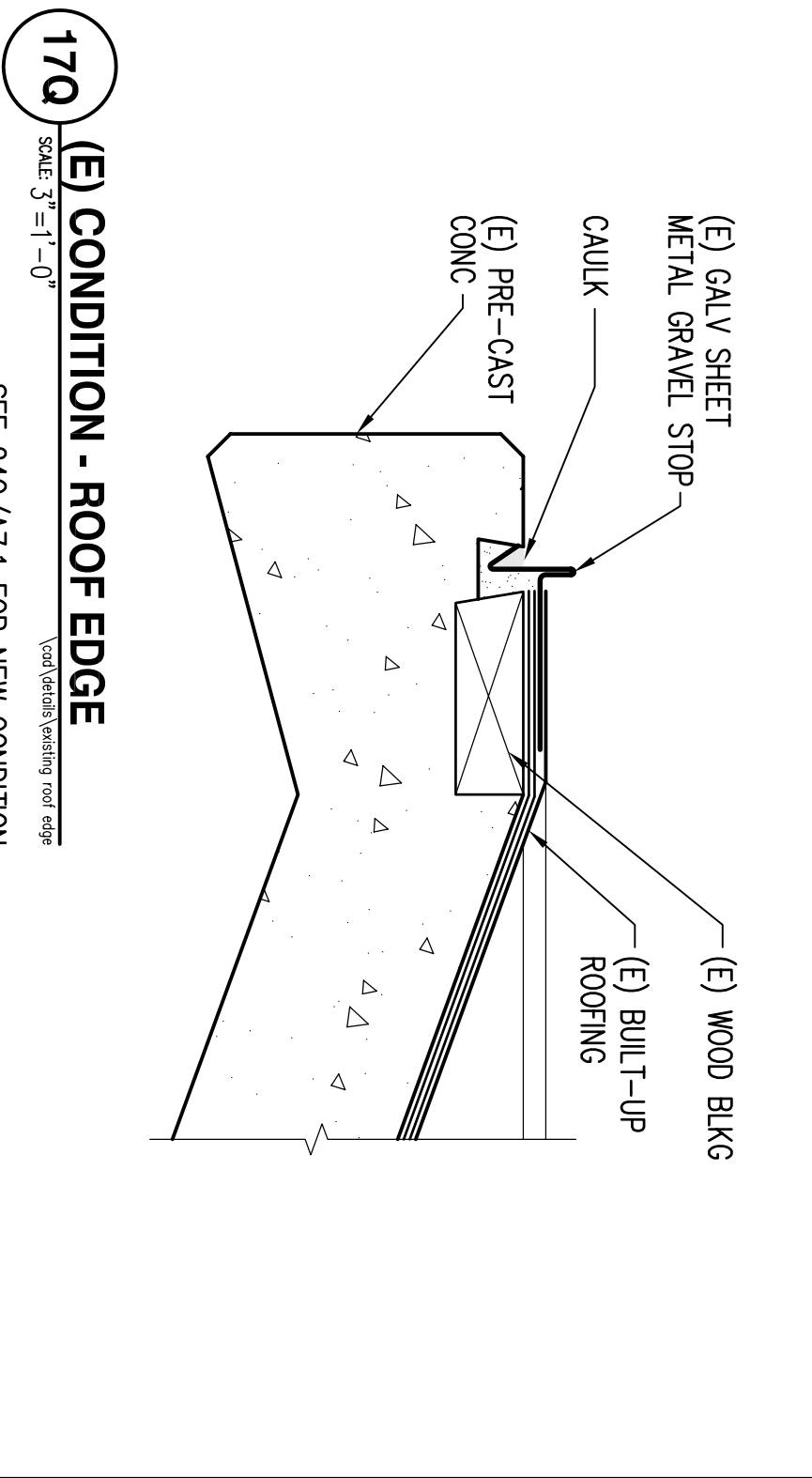
1A
 REPAIR OF (E) COVERED WALKWAY SLAB
 SCALE: 3/8"=1'-0"
 VALIDATION: SEE PERMITS



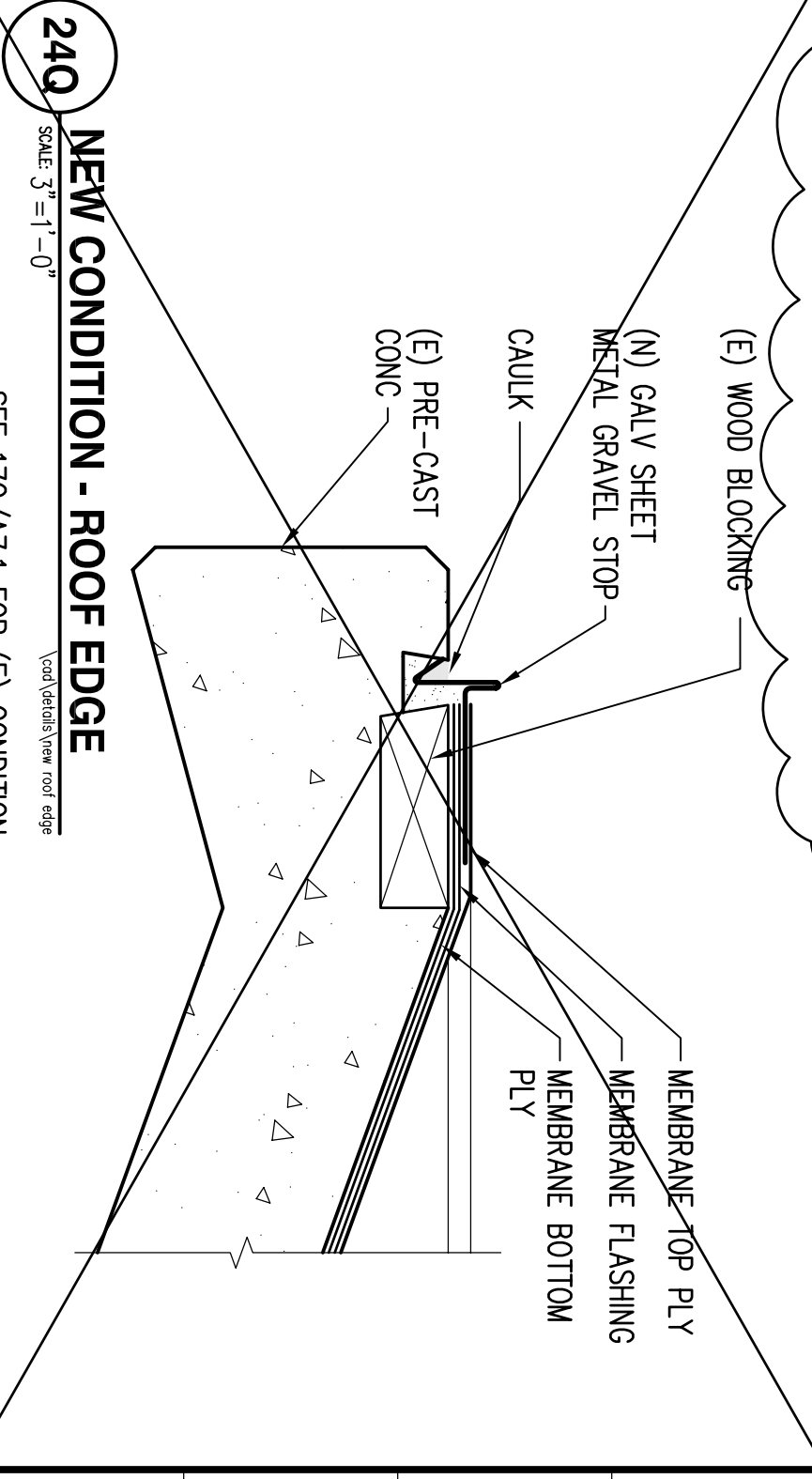
17U
 (E) CONDITION
 ROOF JOINT AT HIGH POINT
 SCALE: 3/8"=1'-0"
 SEE 24U/A/1 FOR NEW CONDITION



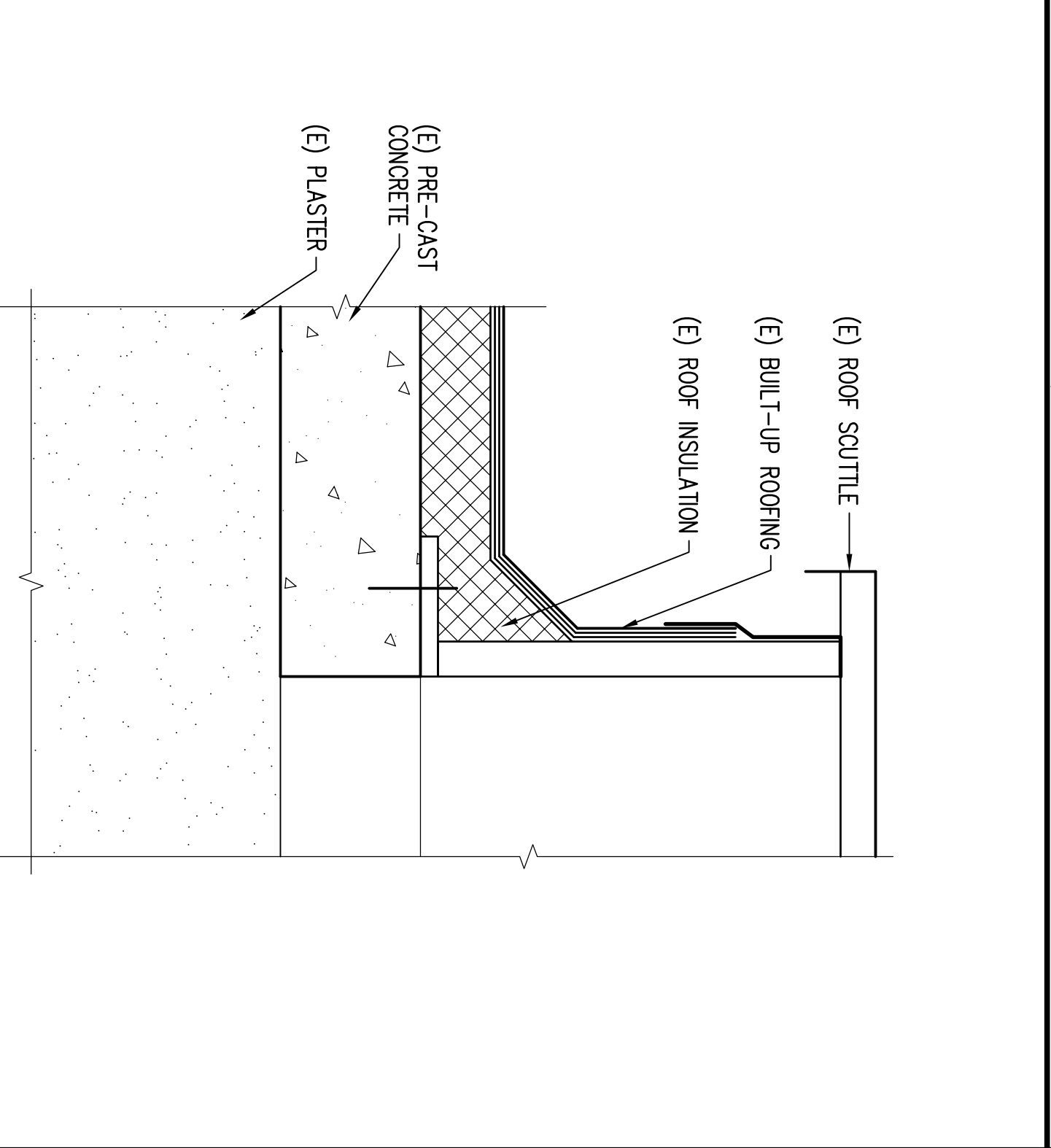
24U
 NEW CONDITION
 ROOF BUR.
 SCALE: 3/8"=1'-0"
 SEE 17U/A/1 FOR (E) CONDITION



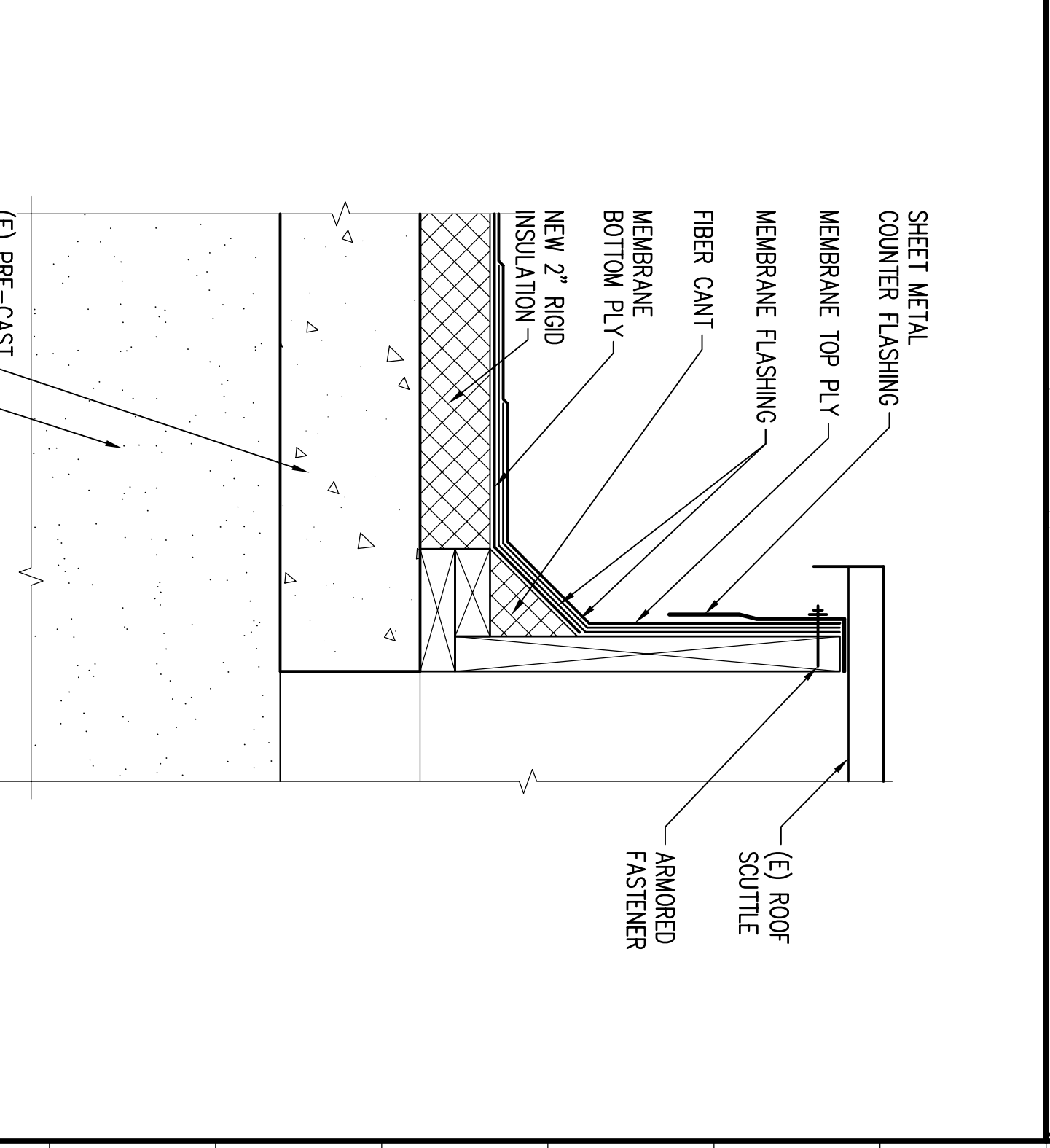
17Q
 (E) CONDITION - ROOF EDGE
 SCALE: 3/8"=1'-0"
 SEE 24Q/A/1 FOR NEW CONDITION



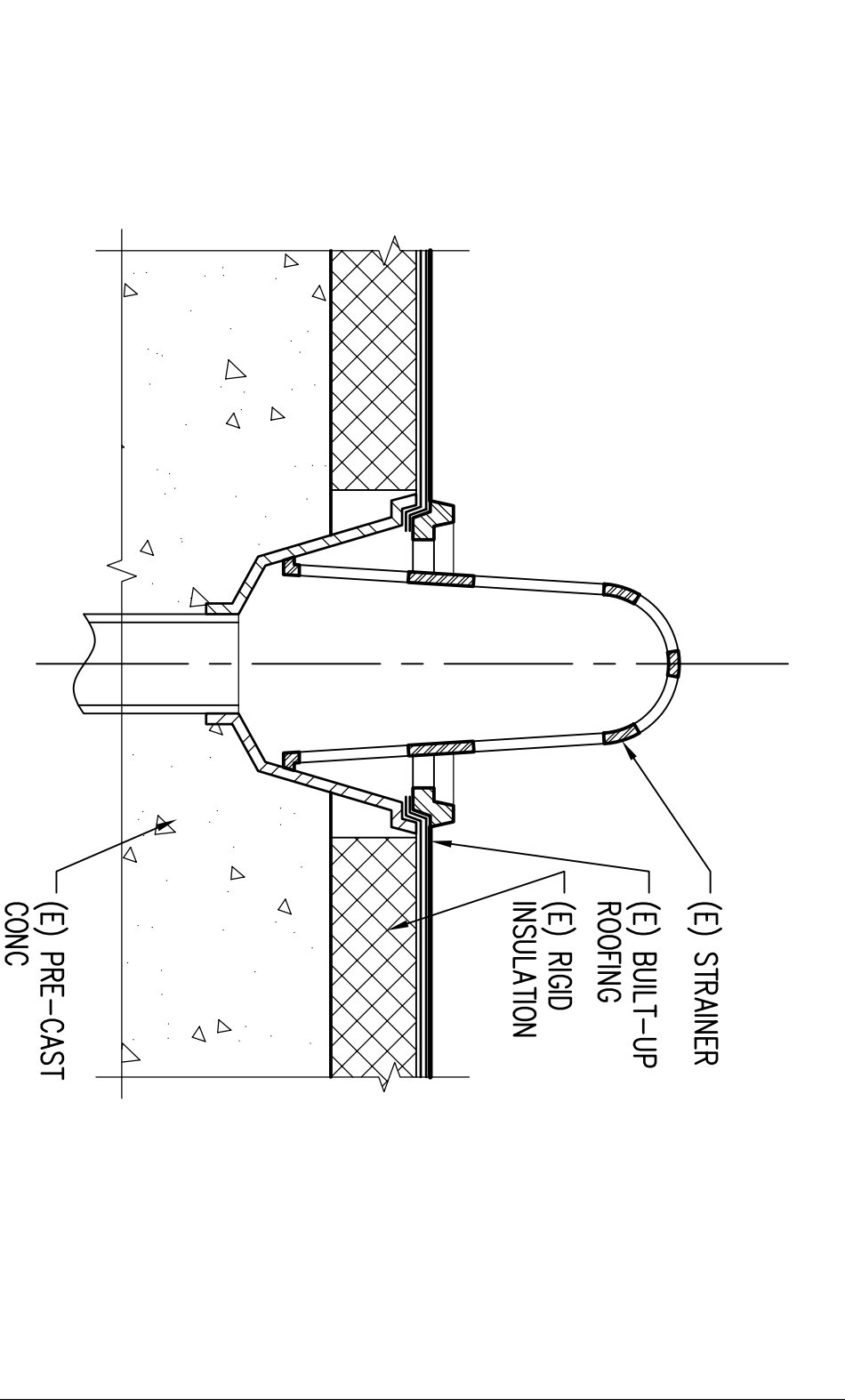
24Q
 NEW CONDITION - ROOF EDGE
 SCALE: 3/8"=1'-0"
 SEE 17Q/A/1 FOR (E) CONDITION



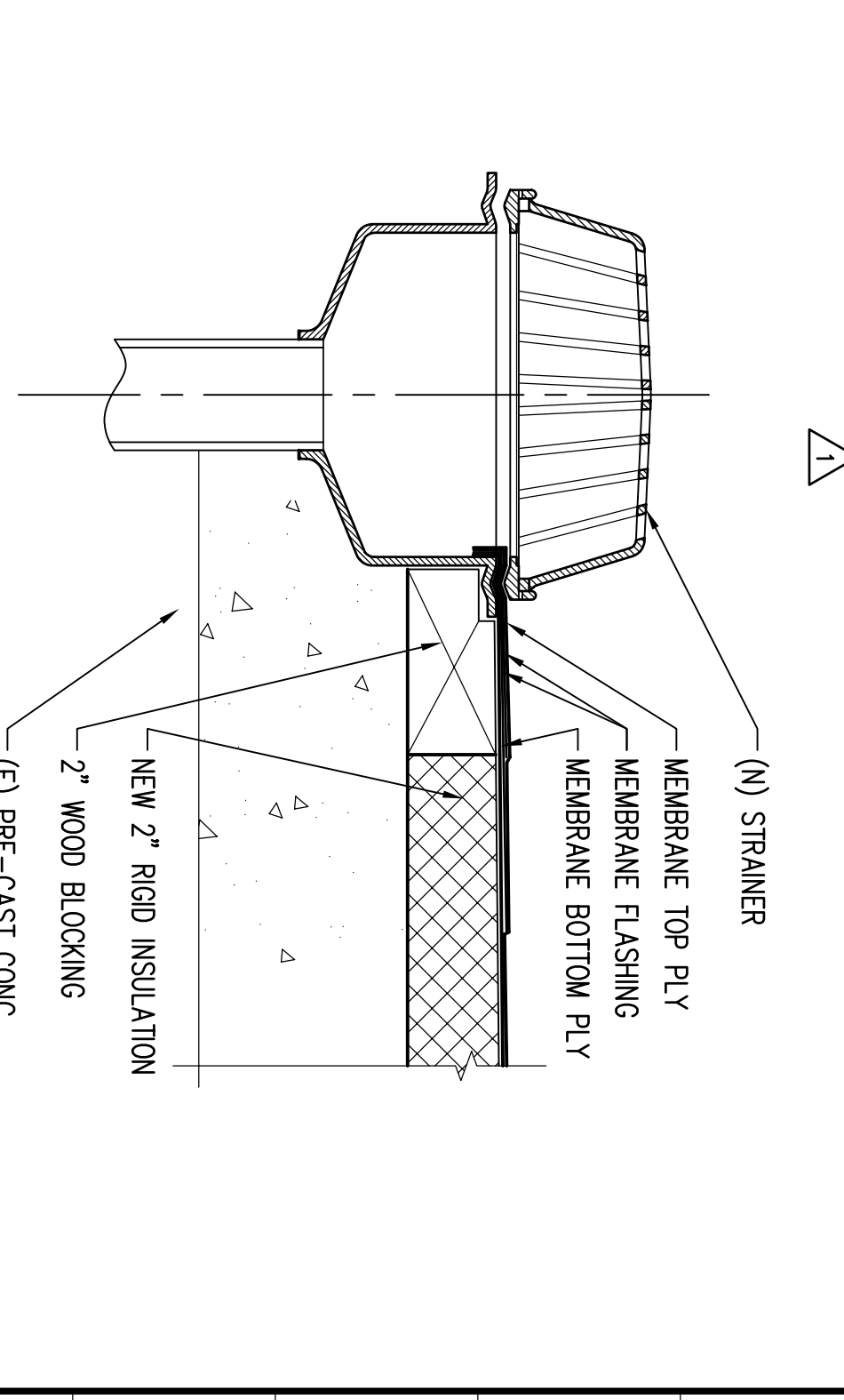
17G
 (E) CONDITION
 CURB AT ROOF SCUTTLE
 SCALE: 3/8"=1'-0"
 SEE 24G/A/1 FOR NEW CONDITION



24G
 NEW CONDITION
 CURB AT ROOF SCUTTLE
 SCALE: 3/8"=1'-0"
 SEE 17G/A/2 FOR (E) CONDITION

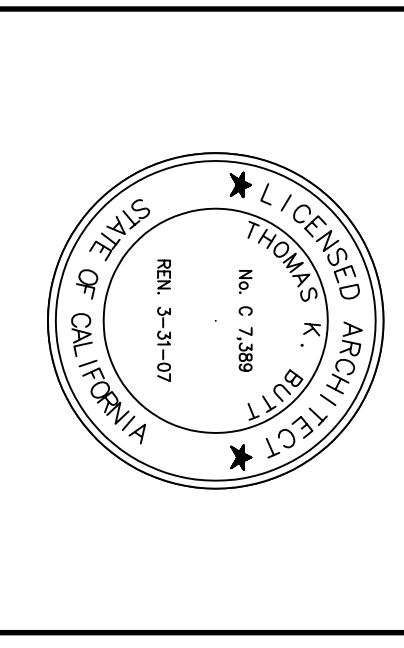


17A
 (E) CONDITION - ROOF DRAIN
 SCALE: 3/8"=1'-0"
 SEE 24A/A/1 FOR NEW CONDITION



24A
 NEW CONDITION - ROOF DRAIN (SEE SEISMIC SCORE)
 SCALE: 3/8"=1'-0"
 SEE 24A/A/1 FOR (E) CONDITION

REVISION	DESCRIPTION	INITIAL	DATE
APPENDIX	T&B 4/7/04		
PRE-APPLICATION REVIEW	02/06/04		
ISSUED FOR PLAN CHECK	03/03/04		
ISSUED FOR PERMIT	03/03/04		
ISSUED FOR BID			
ISSUED FOR CONSTRUCTION			



PROJECT:
BUILDING NO. 18 (NORTH HALL) MODERNIZATION

ARCHITECTURE • PLANNING • ENGINEERING
INTERACTIVE
 117 PARK PLACE
 POINT RICHMOND
 CALIFORNIA 94801
 (910) 238-7435
 (FAX) 232-5325
 http://www.interactive.com

COLLEGE OF SAN MATEO
 1700 WEST HILLSDALE BLVD,
 SAN MATEO, CA 94402

SAN MATEO CO. COMMUNITY COLLEGE DISTRICT

APPROVED
 DW. OF THE STATE ARCHITECT
 APPL. 106047

APPROVED
 AC. TIS SS
 DATE: TIS SS

SHEET TITLE:
BLDG 18 - ROOF DETAILS MODERNIZATION WORK

PROJ. NO. 2002-066.02
 PREPARATION AND REVIEW
 DRAWN BY: BA
 CHECKED BY: TB
 DESIGNER: TB
 PEER REVIEW: TB
 SHEET NUMBER:
MOD A7.1