

SHEET NOTES

- 24 TOILET PARTITIONS (SEE DET. 17/A10.62)
- 25 CERAMIC WALL TILE (FIELD)
- 26 CERAMIC WALL TILE (ACCENT)
- 27 CERAMIC WALL TILE (BASE)
- 28 GYP BOARD
- 29 ACCESSIBLE GRAB BAR (SEE DET. 20/A10.62)
- 30 WATER CLOSET
- 31 LAVATORY
- 32 PAPER TOWEL DISPENSER/ WASTE
- 33 SOAP DISPENSER
- 34 MIRROR
- 35 NOT USED
- 41 URINAL
- 64 TOILET TISSUE & SEAT COVER DISPENSERS/NAPKIN DISPOSALS
- 65 COAT HOOK
- 66 FEMININE SANITARY SUPPLIES VENDOR
- 67 UTILITY SHELF
- 68 FURRED WALL (SEE DETS. 16, 17 & 18/A10.52)
- 69 URINAL SCREEN (SIM. TO DET. 17/A10.62)
- 6A FLOOR MOUNTED GRAB BAR (SEE DET. 15/A10.82)

RFI-82 Furring type wall also see RFI 113

RFI-18 Curbs at Furred Walls also see RFI 113

RFI-18 Curbs at Furred Walls

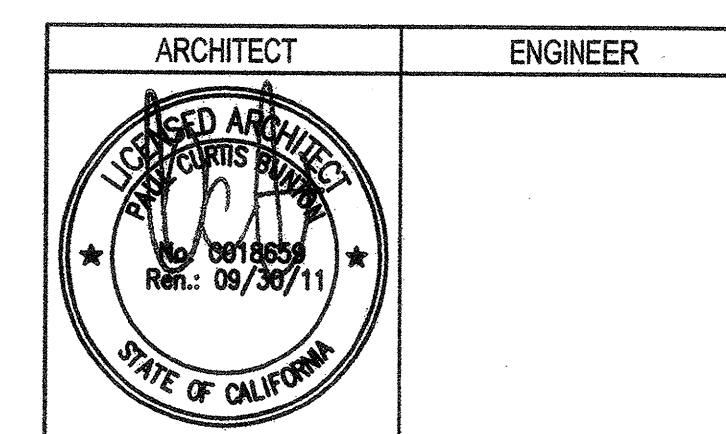
RFI-82 Furring type wall also see RFI 113

RFI-82 Furring type wall also see RFI 113

RFI-82 Furring type wall also see RFI 113

RFI-82 Furring type wall also see RFI 113

GENERAL NOTES

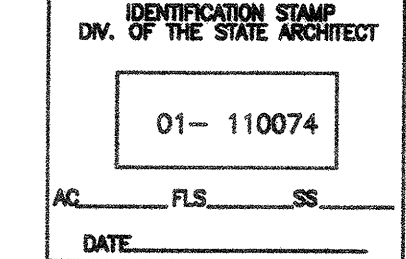


1. This sheet is part of a set and is not to be used alone.
 2. This sheet is not to be used for construction unless the architect's stamp and signature appear on the drawings and the status box indicates drawings have been reviewed for construction.
 3. These plans and prints thereof, as instruments of service, are owned by the architect and are for use on this project only. Reproduction and/or distribution without the prior written consent of the architect is forbidden.
 4. Copyright Bunton Clifford Associates, 2008

REVISION HISTORY	REMARKS	DATE
1	ADDENDUM NO. 1	08/18/09
2	ADDENDUM NO. 2	11/08/09

DRAWING STATUS	DATE
● ISA PLAN CHECK	08/28/09
● ISA BACK CHECK	01/22/09
● BIDDING	08/18/09
○ CONSTRUCTION	

FILE NO. 41-C1



BUILDINGS 5 & 6 RENOVATIONS

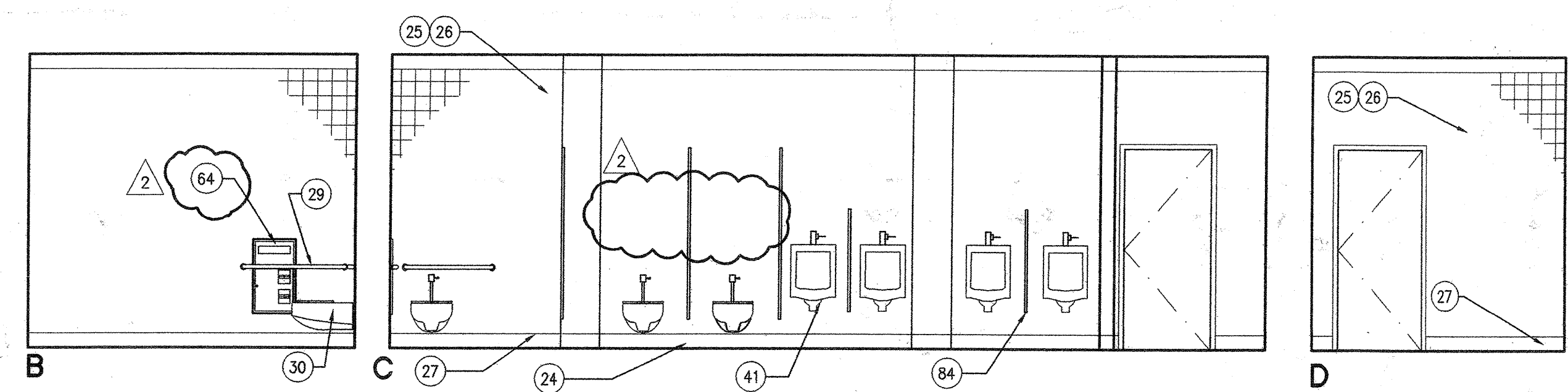
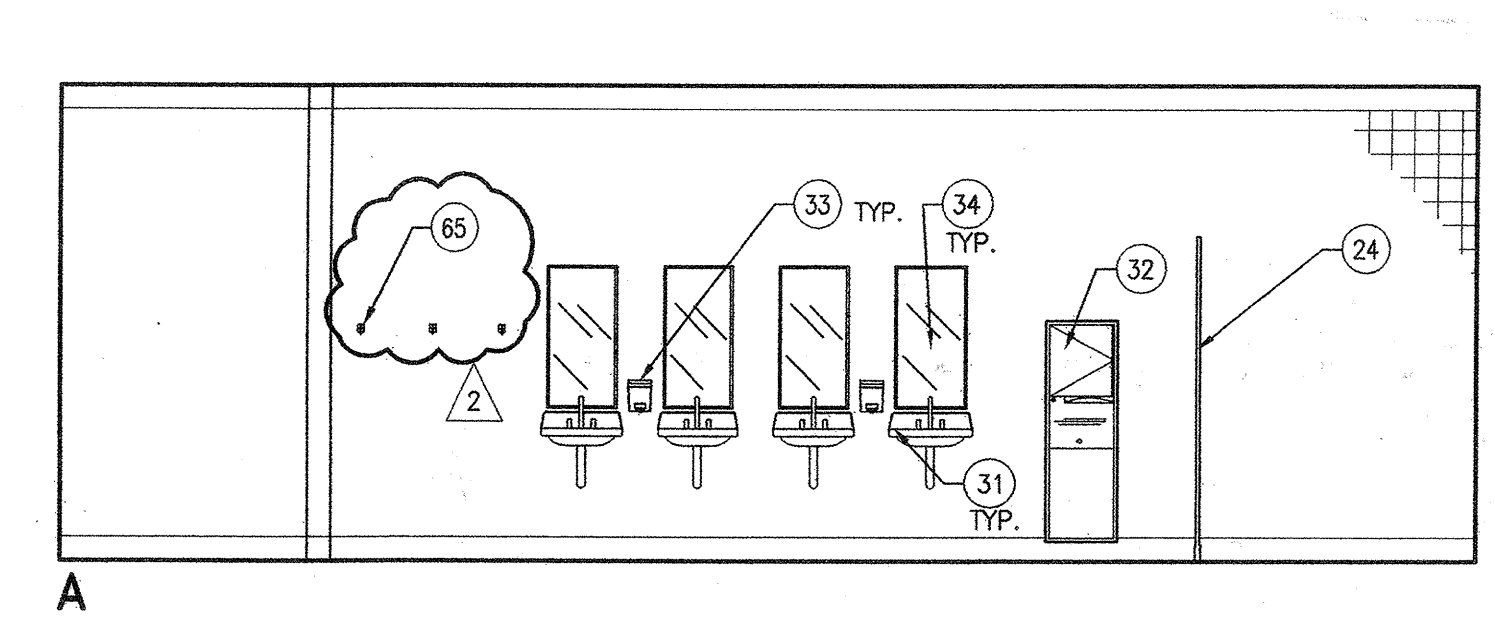
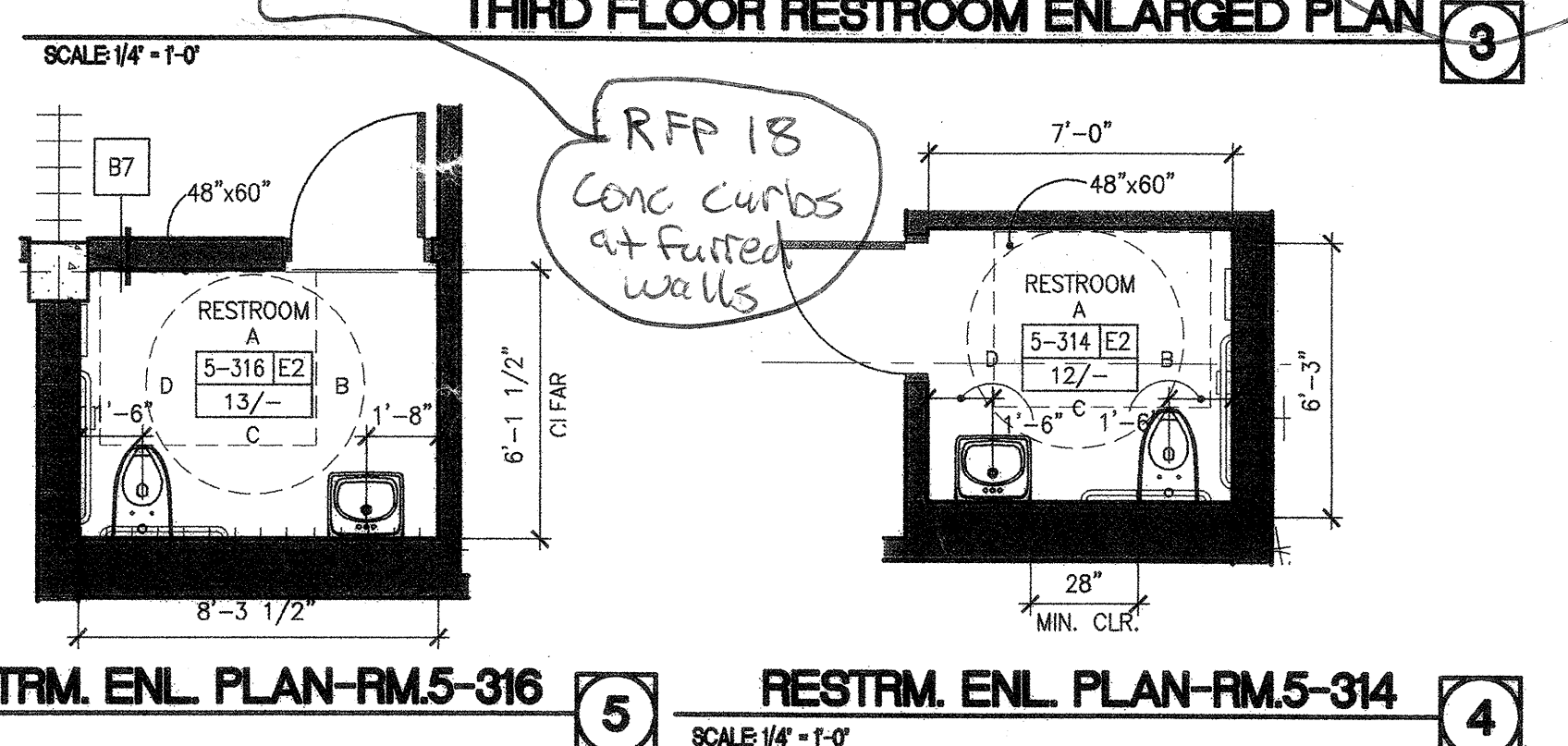
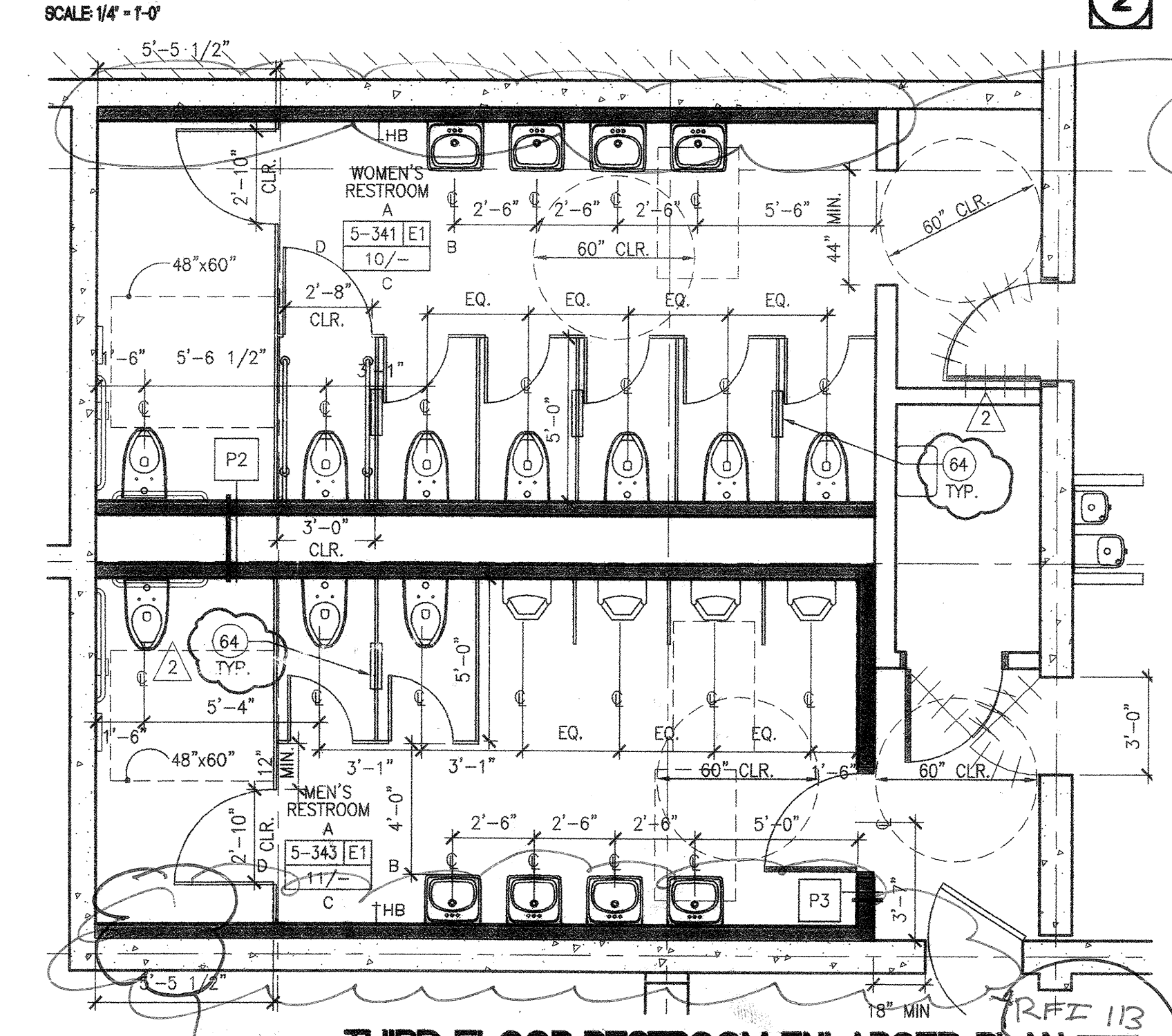
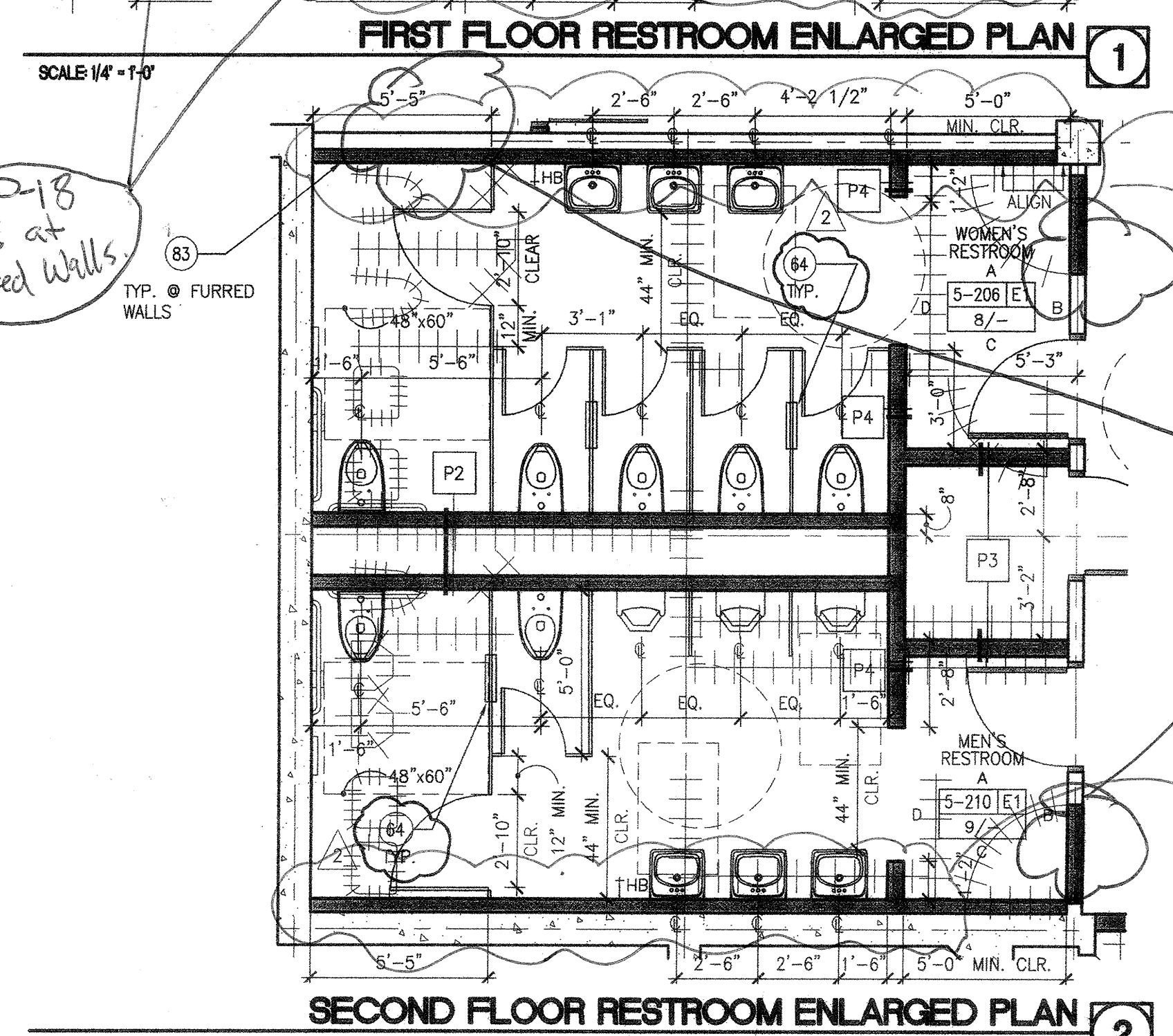
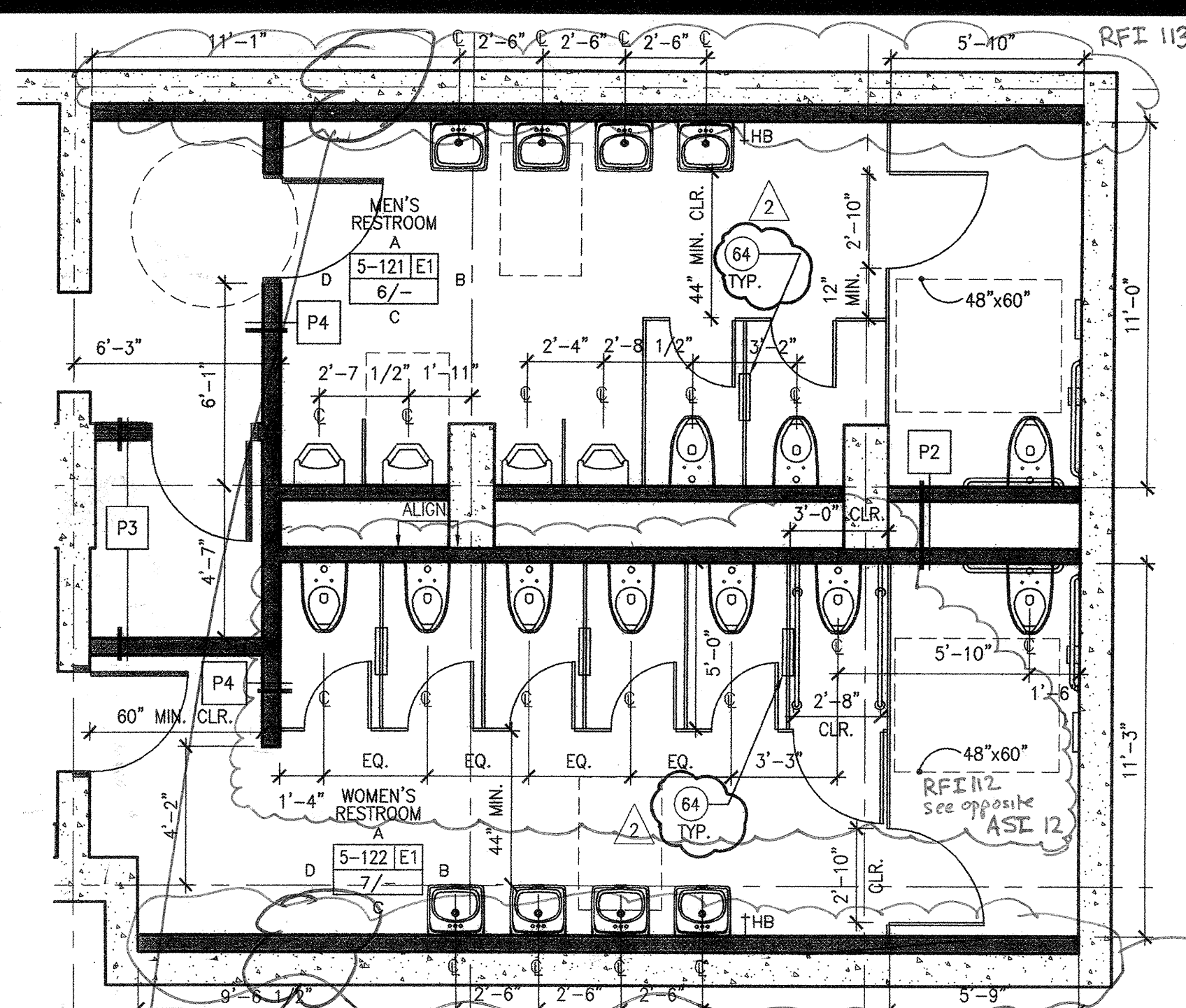
San Mateo County Community College District

APPROVED BY THE STATE ARCHITECT
 AC 271 F.A.S. 68 SS. 38
 PROJ. NO. 110274 DATE 5/26/10

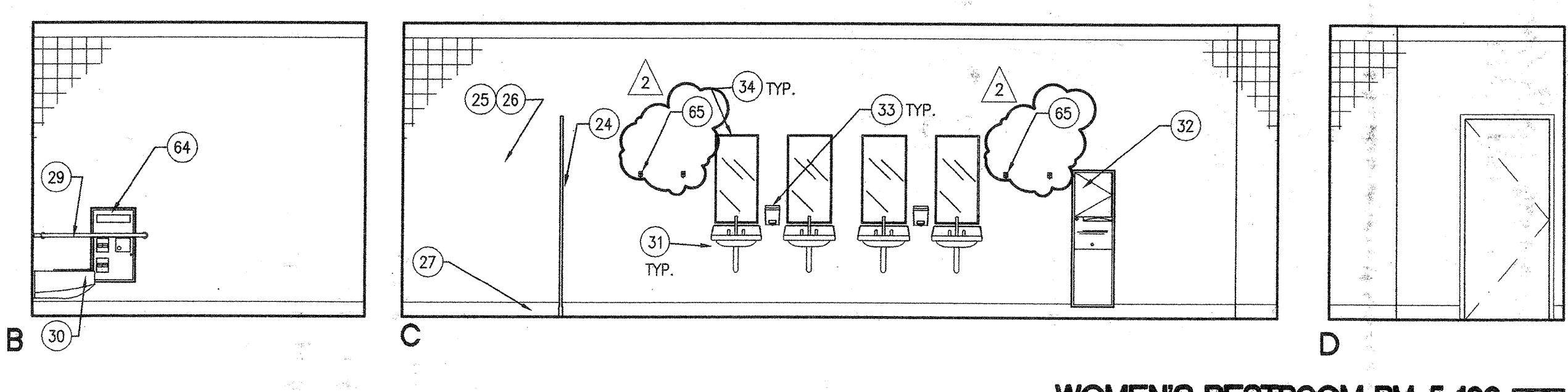
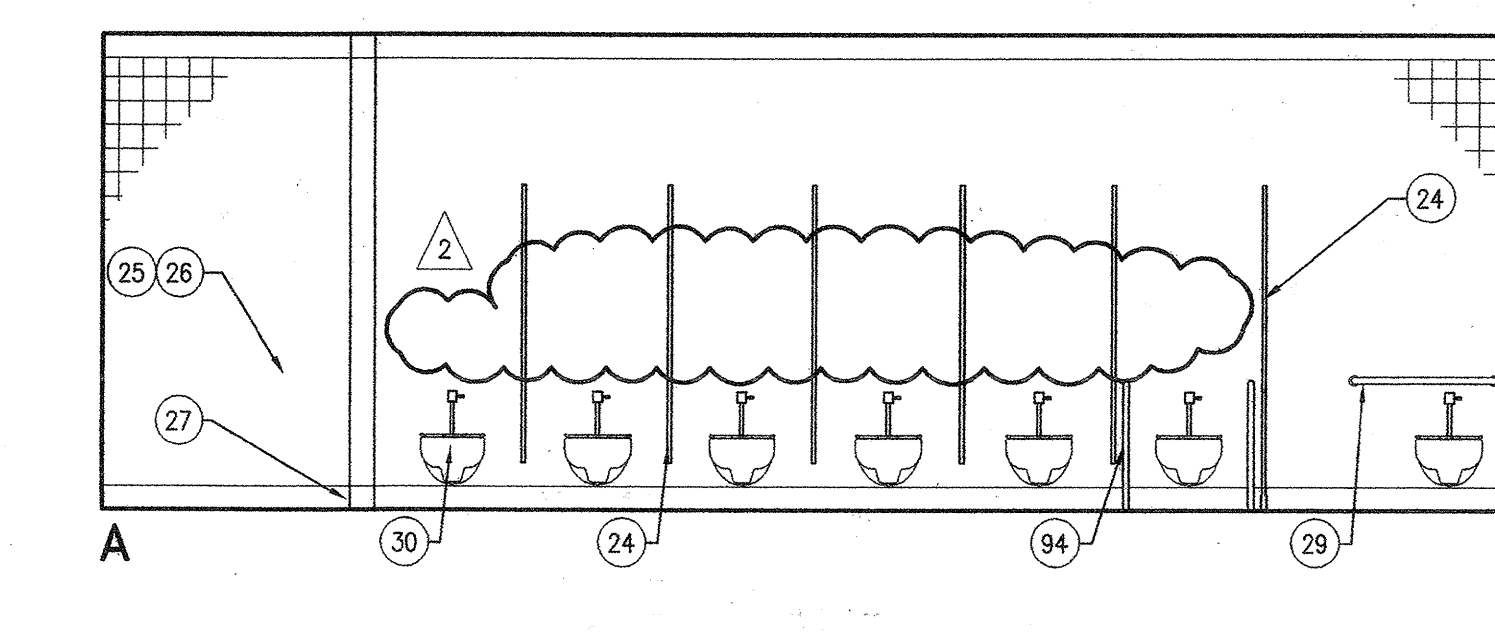
CAÑADA COLLEGE
 4200 Farm Hill Boulevard
 Redwood City, CA 94061

ENLARGED RESTROOM FLOOR PLAN & INTERIOR ELEVATIONS

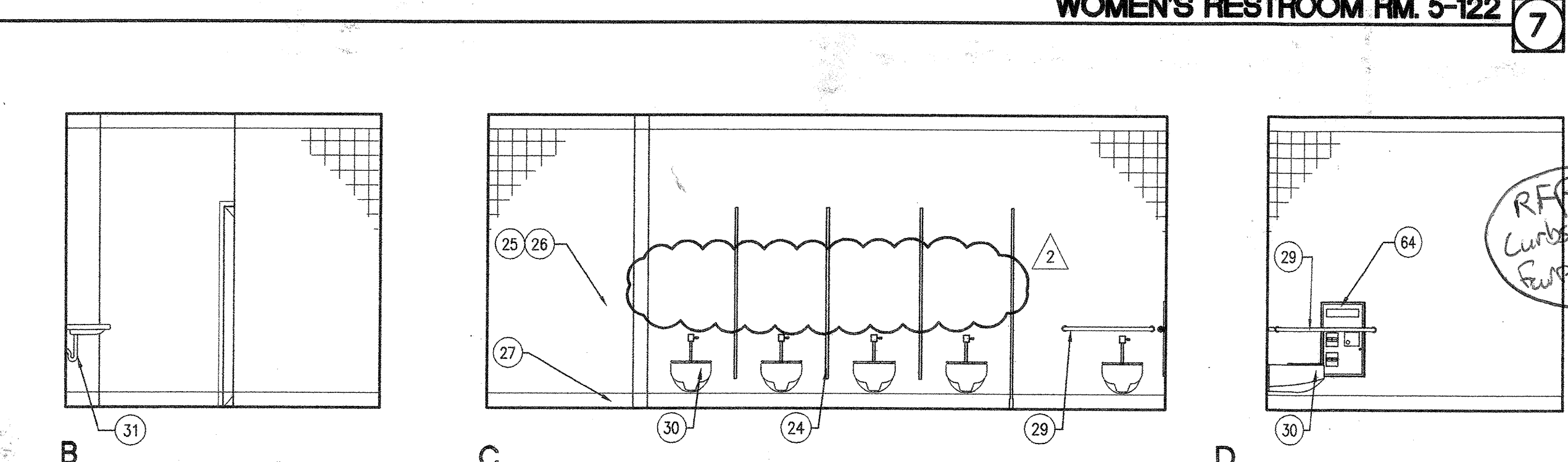
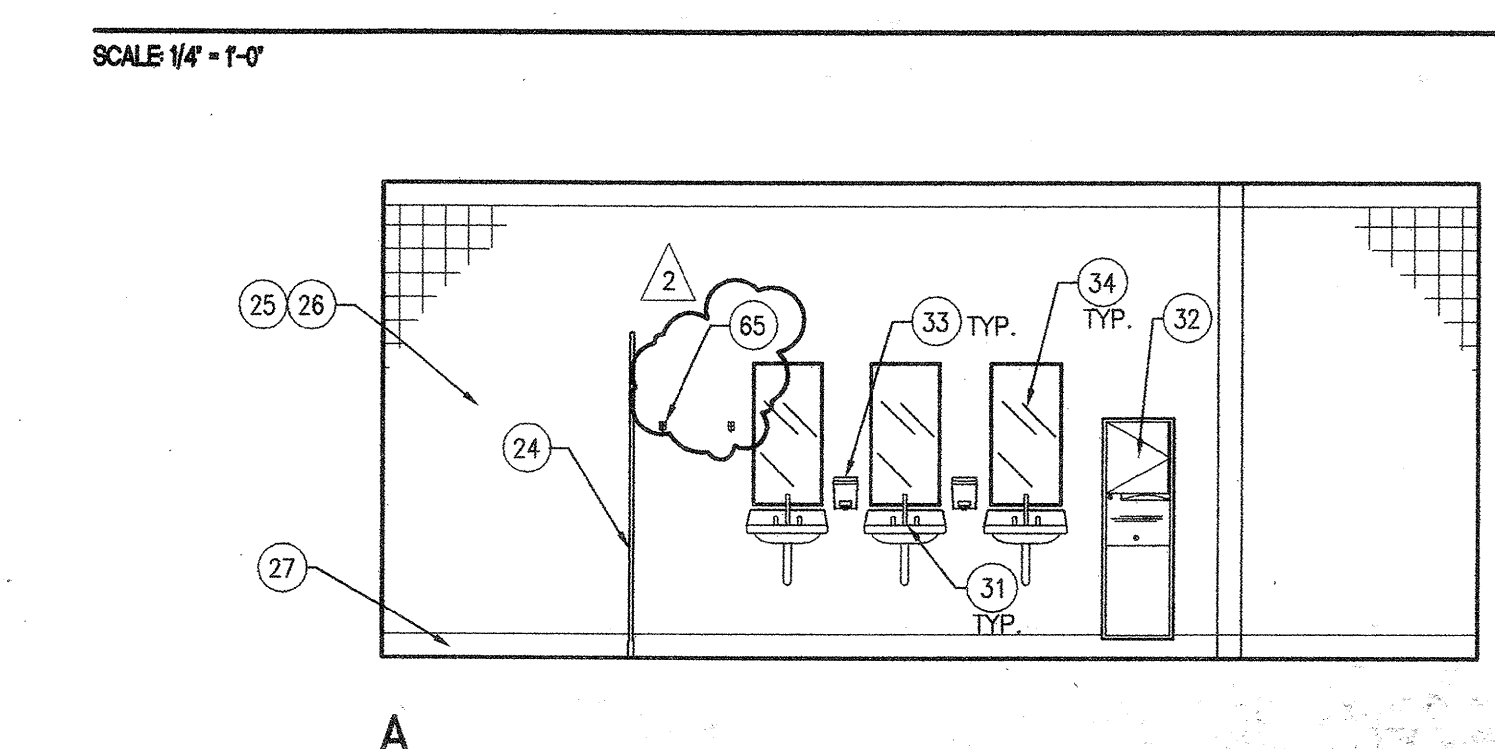
Date 08/29/08
 Scale AS NOTED
 Project Number 07013
 Drawing Number **A7.2**



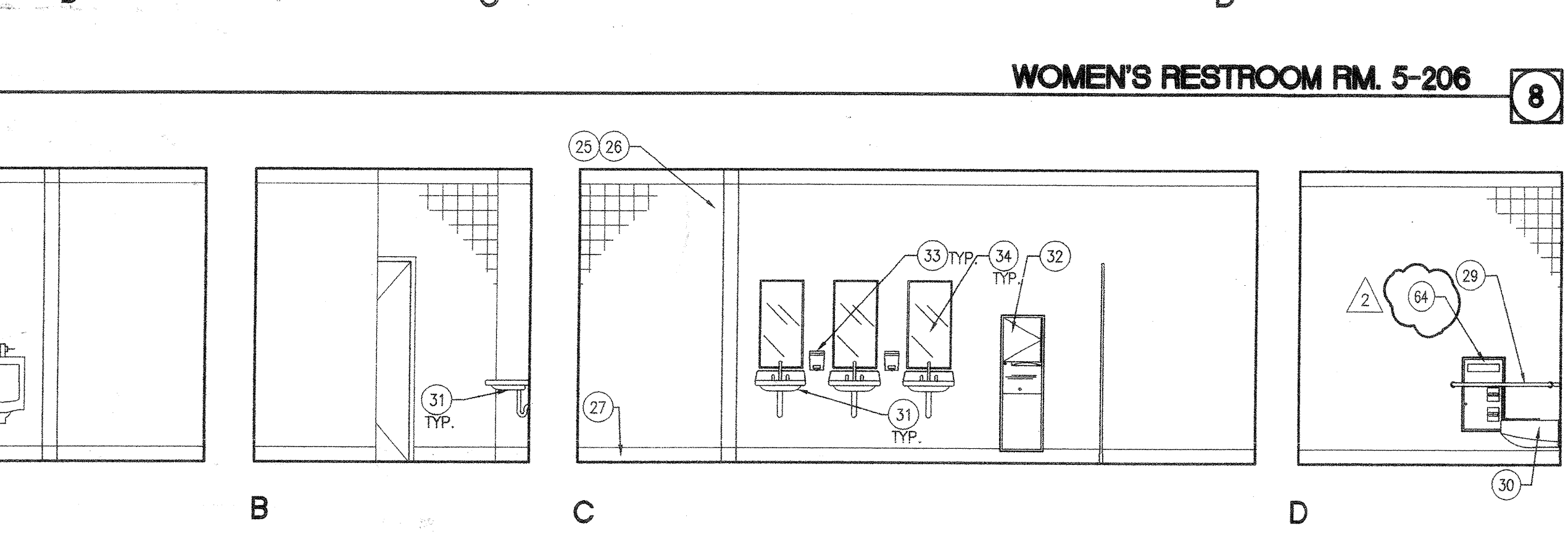
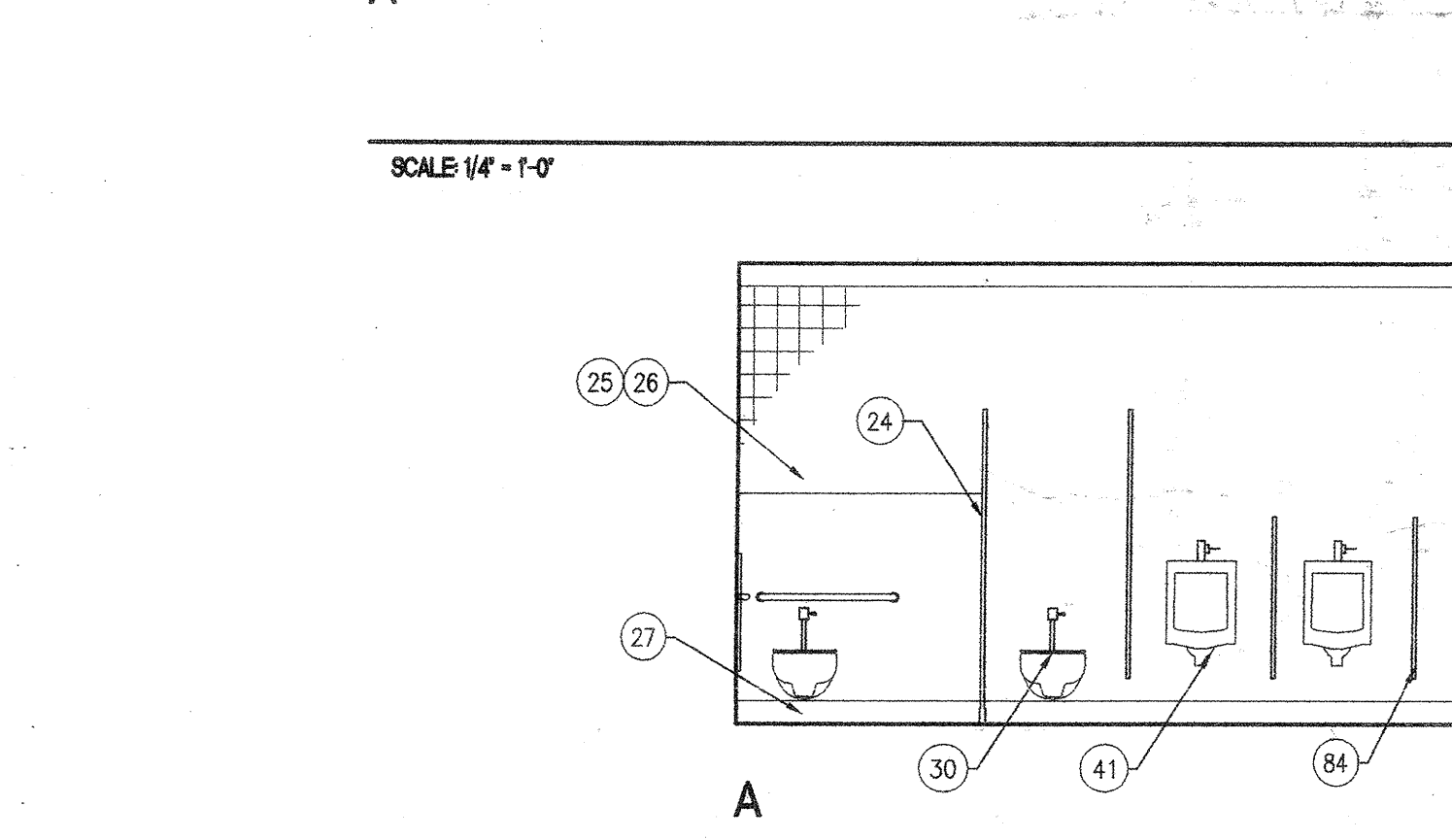
MEN'S RESTROOM RM. 5-121



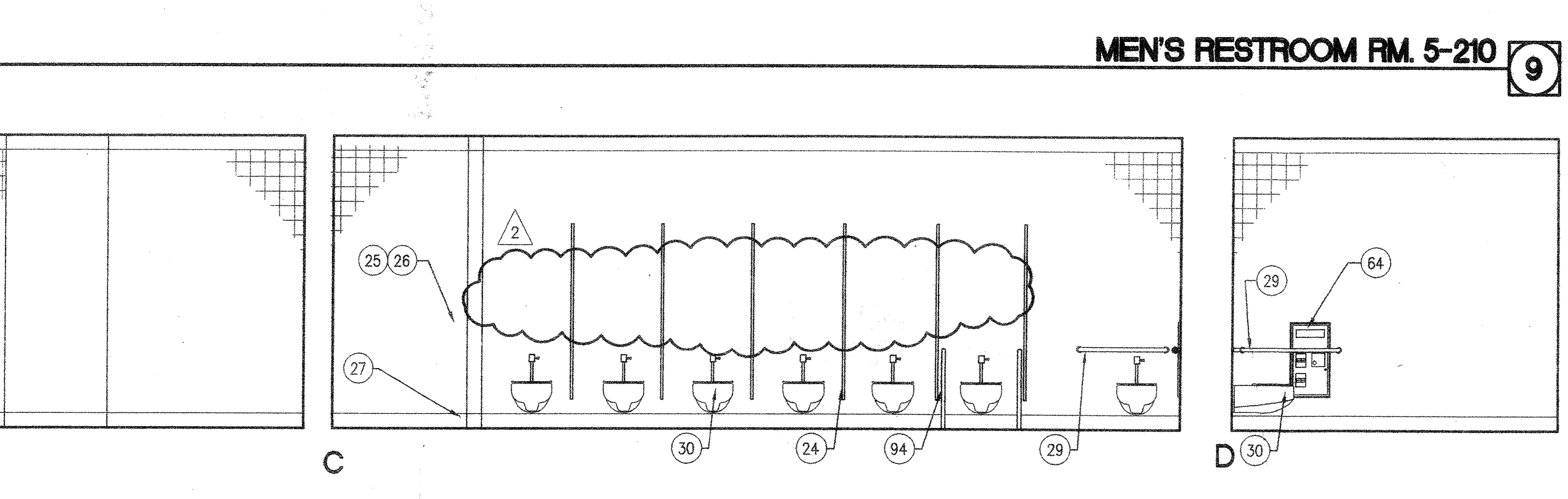
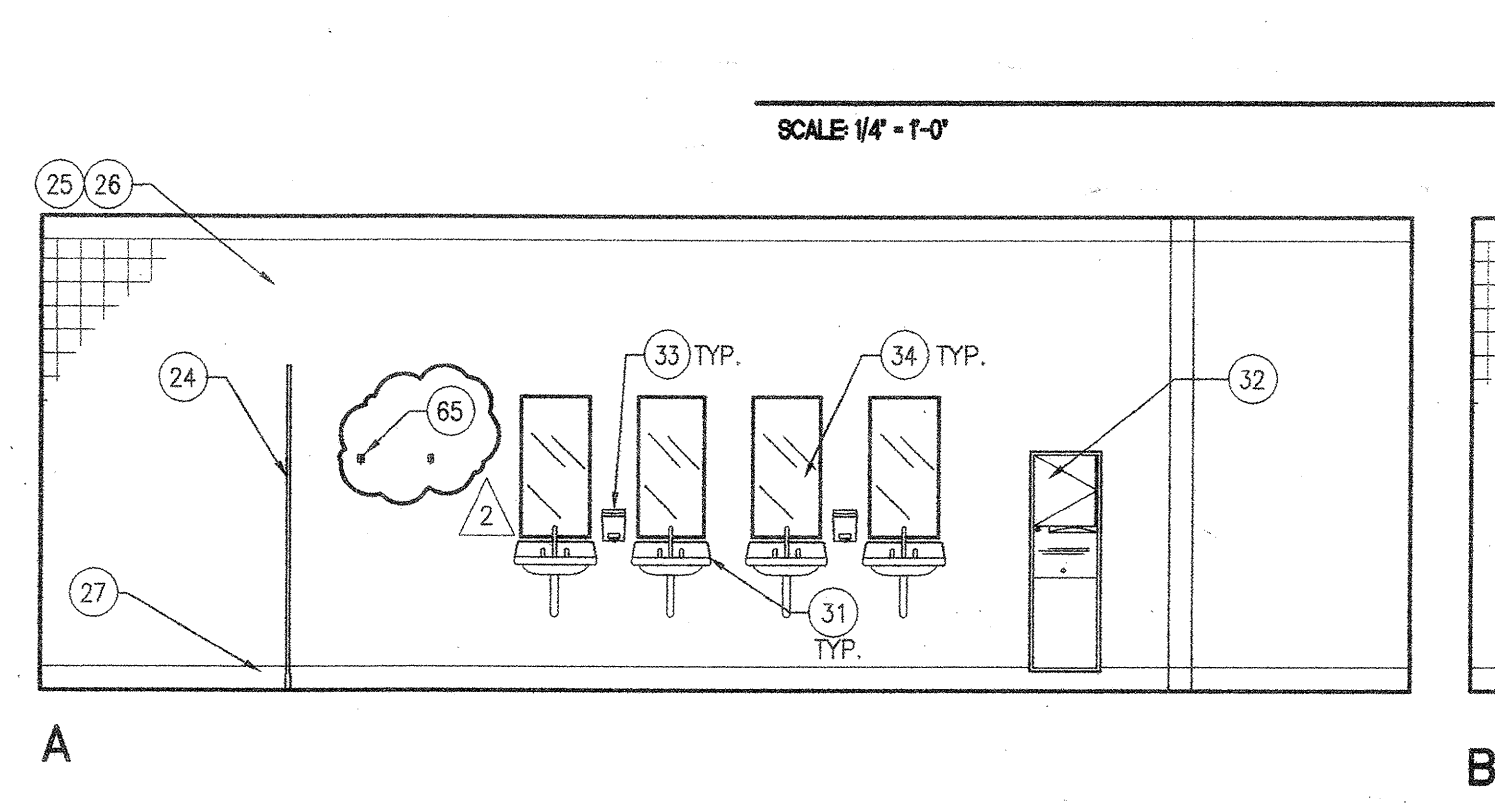
WOMEN'S RESTROOM RM. 5-122



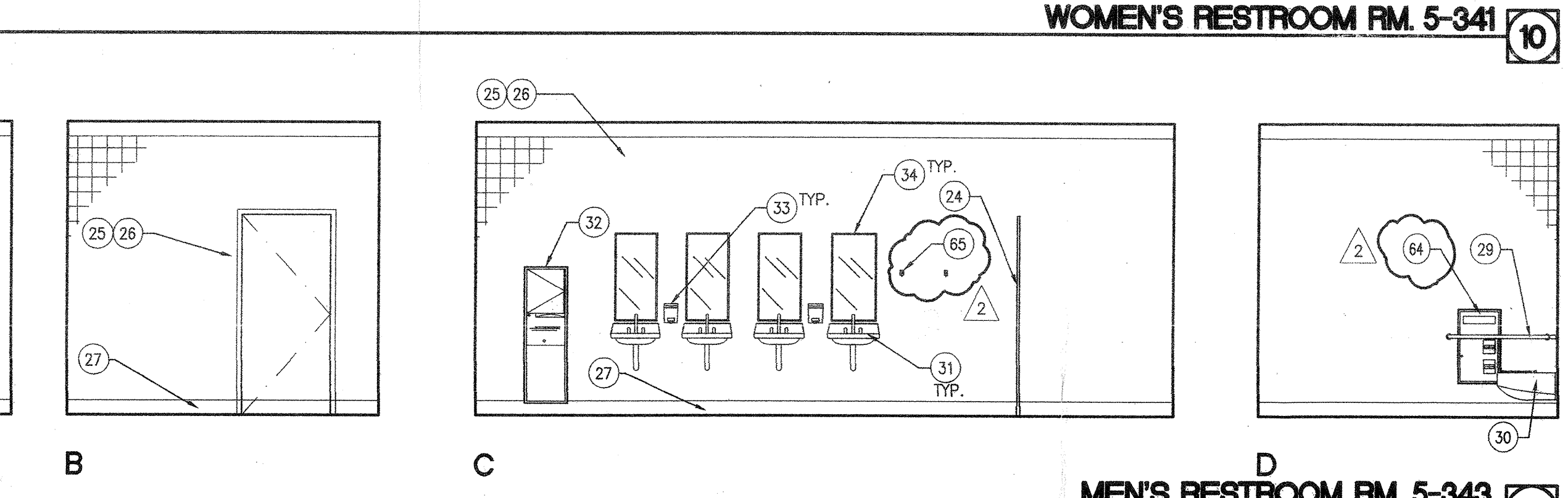
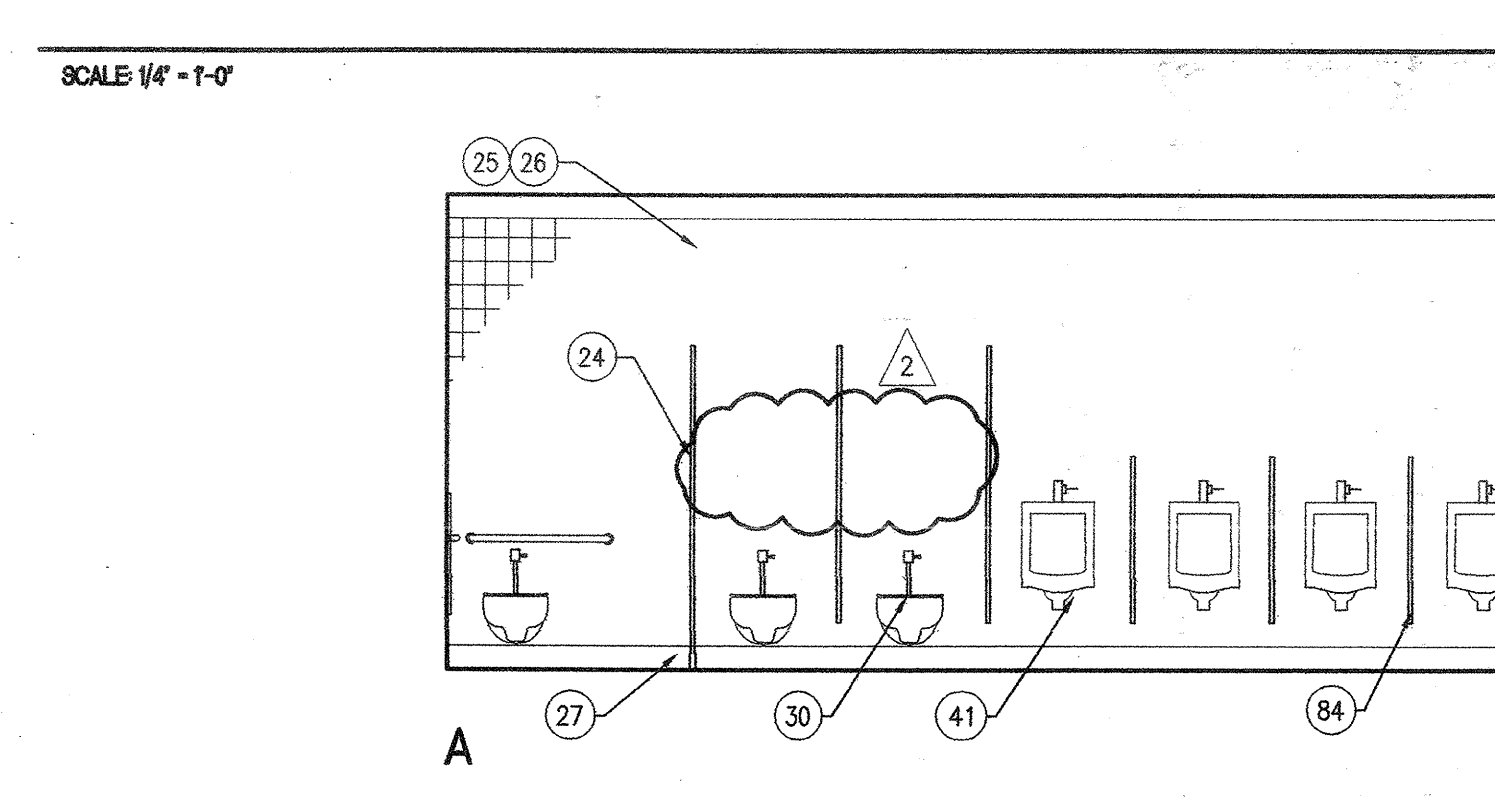
WOMEN'S RESTROOM RM. 5-206



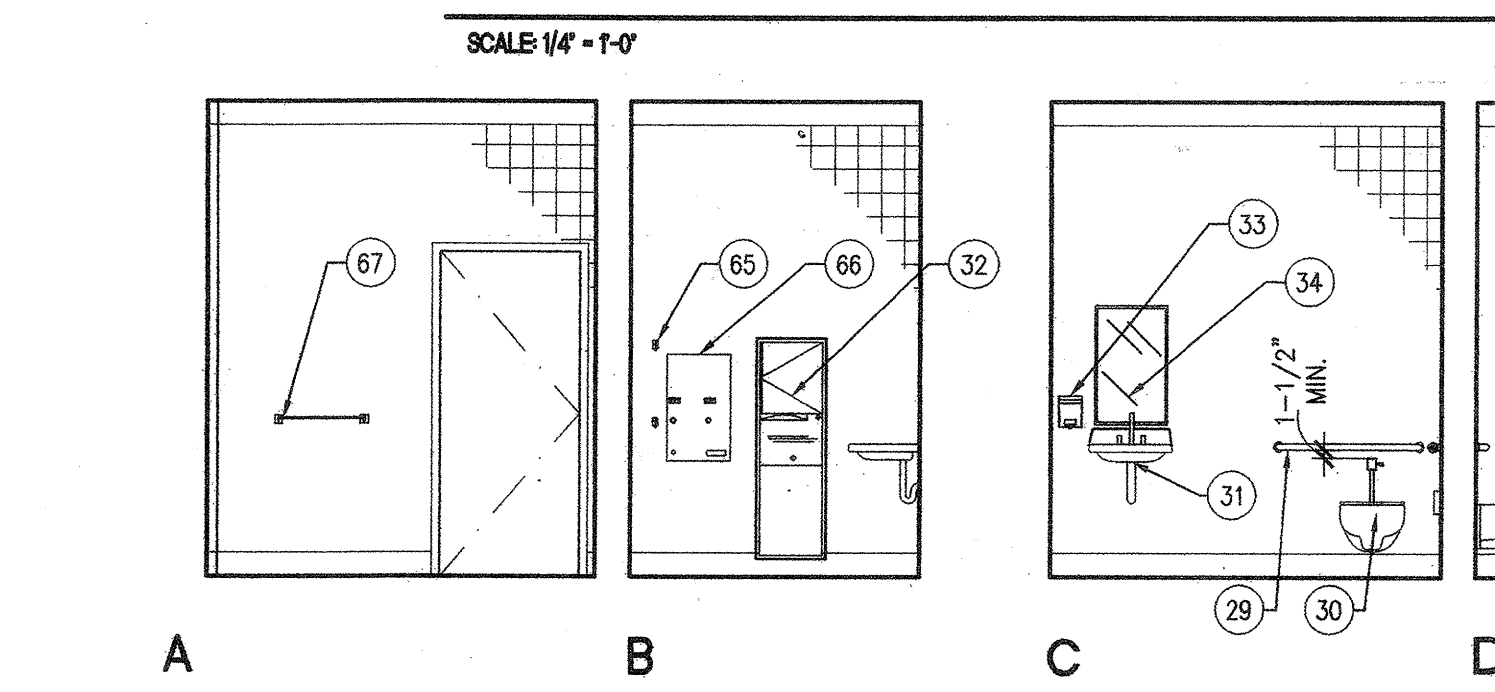
MEN'S RESTROOM RM. 5-210



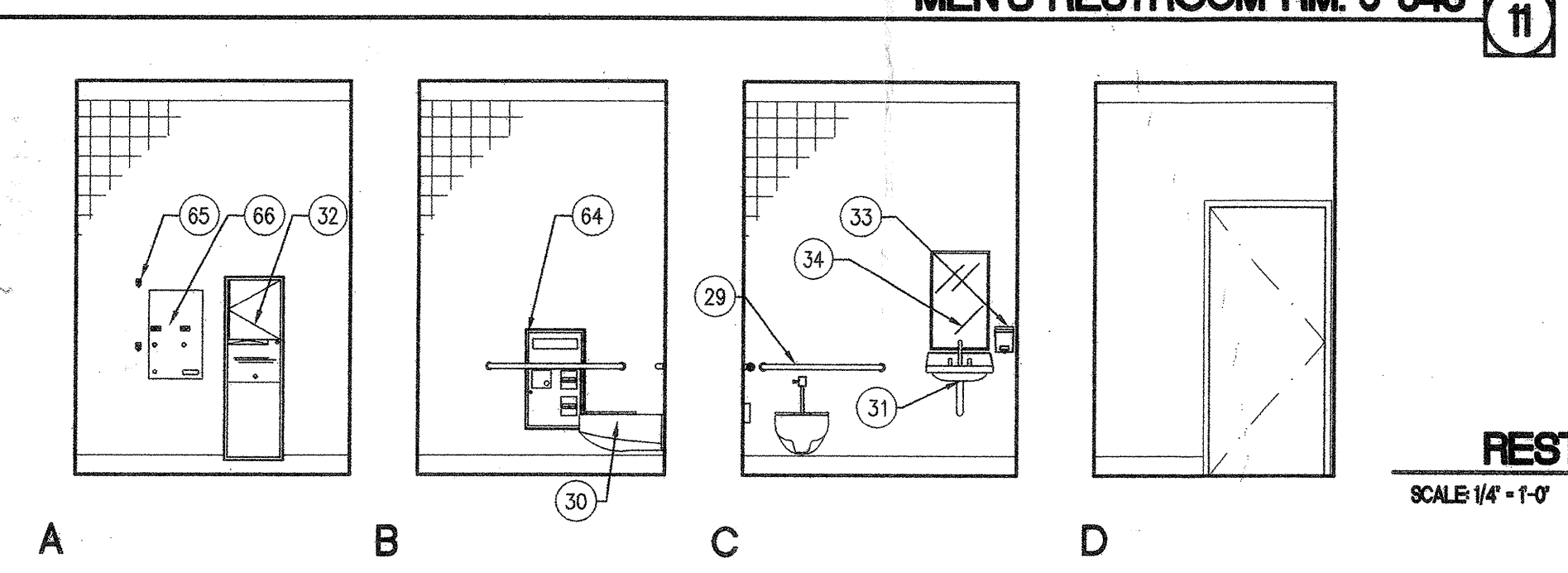
WOMEN'S RESTROOM RM. 5-341



MEN'S RESTROOM RM. 5-343



RESTROOM RM. 5-316



RESTROOM RM. 5-314

SCALE 1/4" = 1'-0"

SCALE 1/4" = 1'-0"

SCALE 1/4" = 1'-0"

SCALE 1/4" = 1'-0"

LEGEND