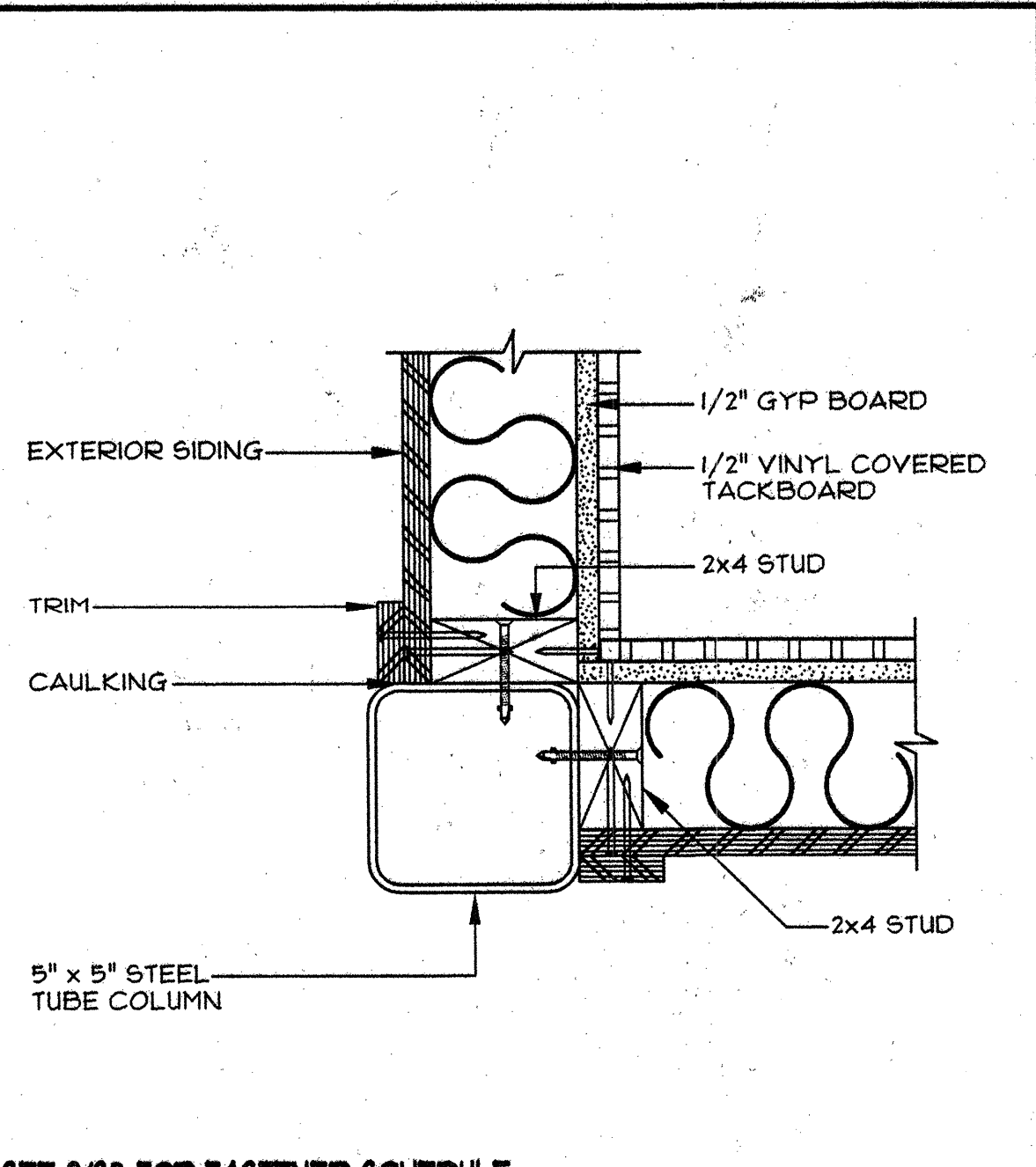
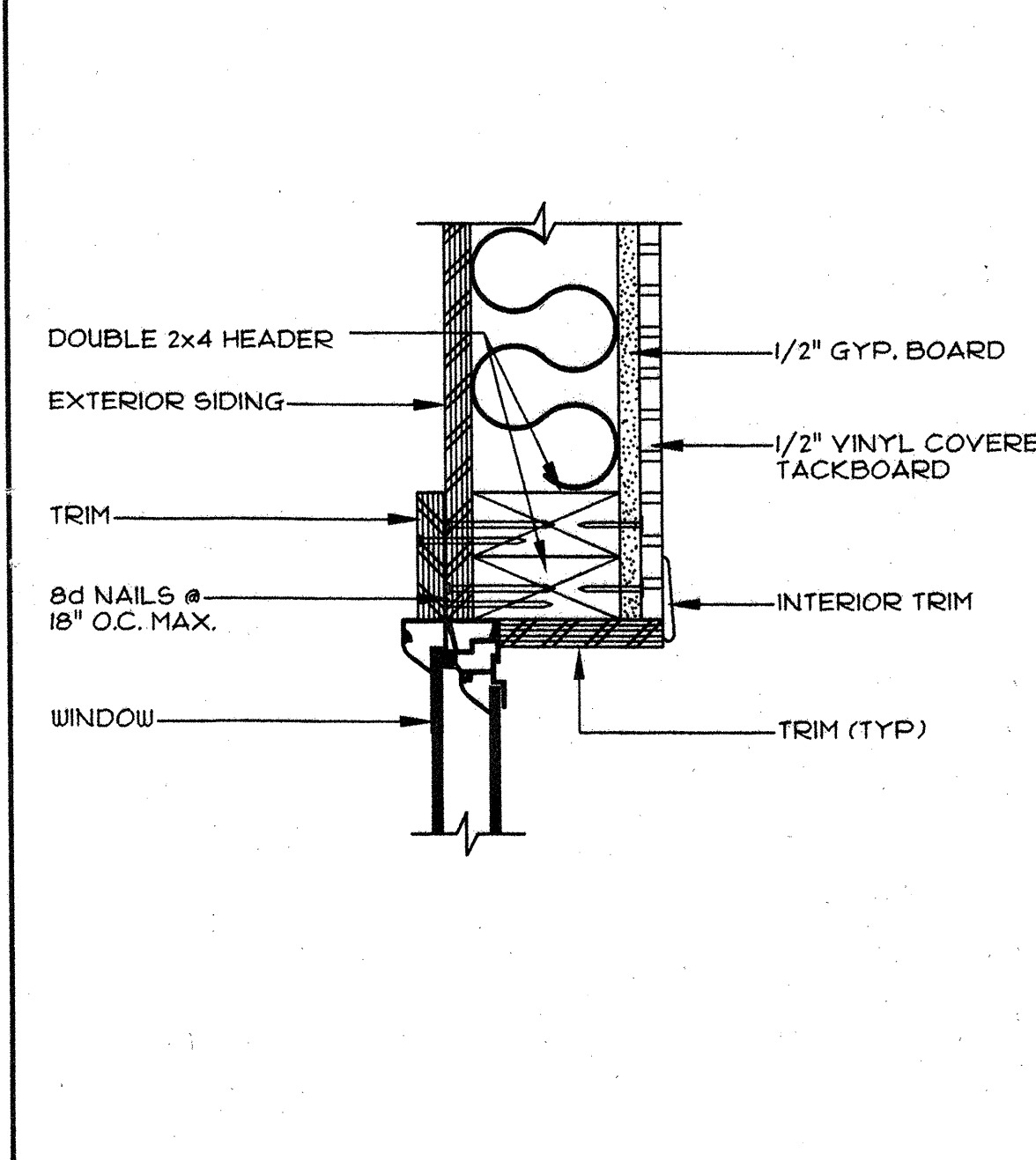


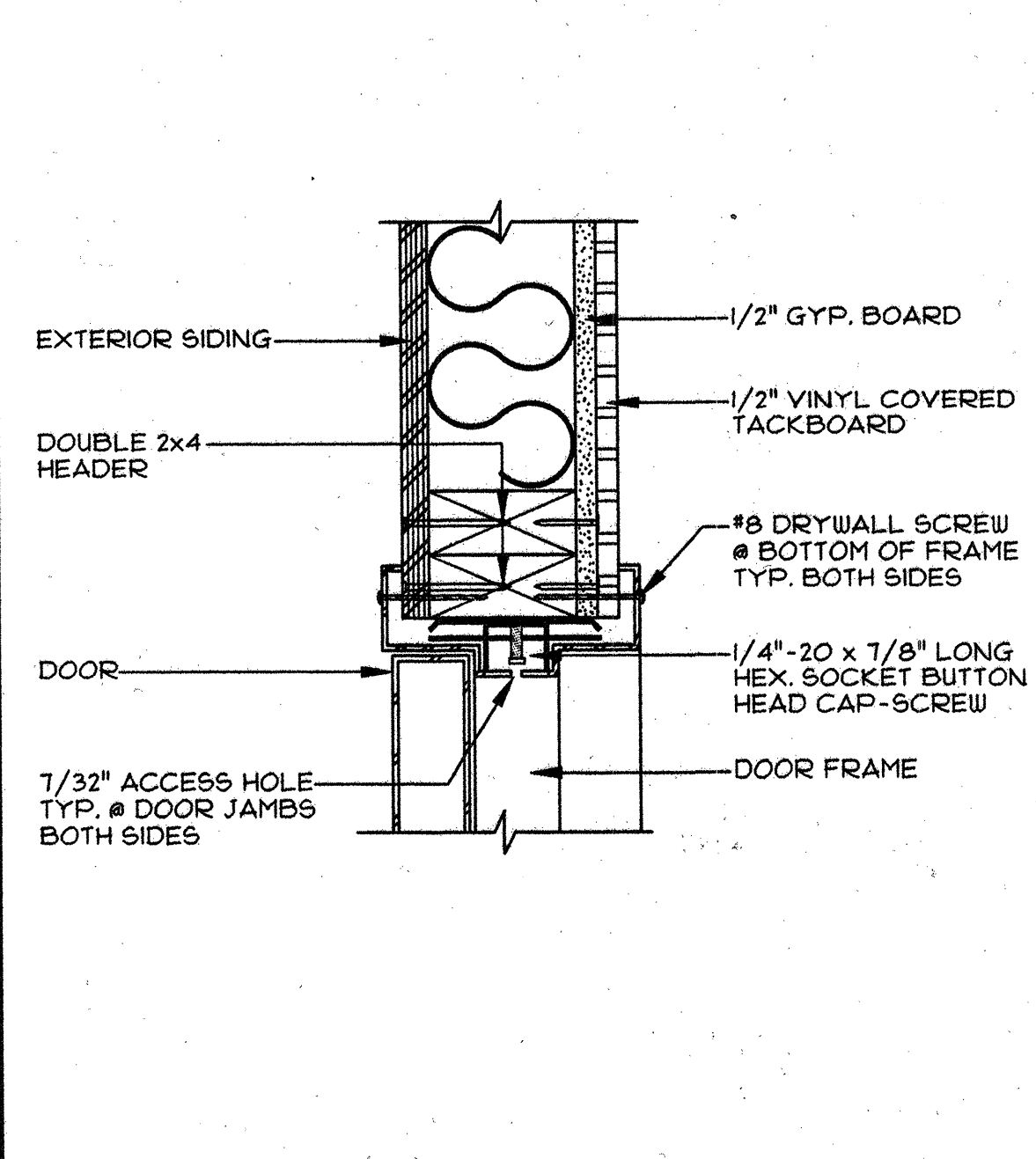
1 COLUMN SECTION AT MOD-LINE
SCALE: 3/8" = 1'-0"



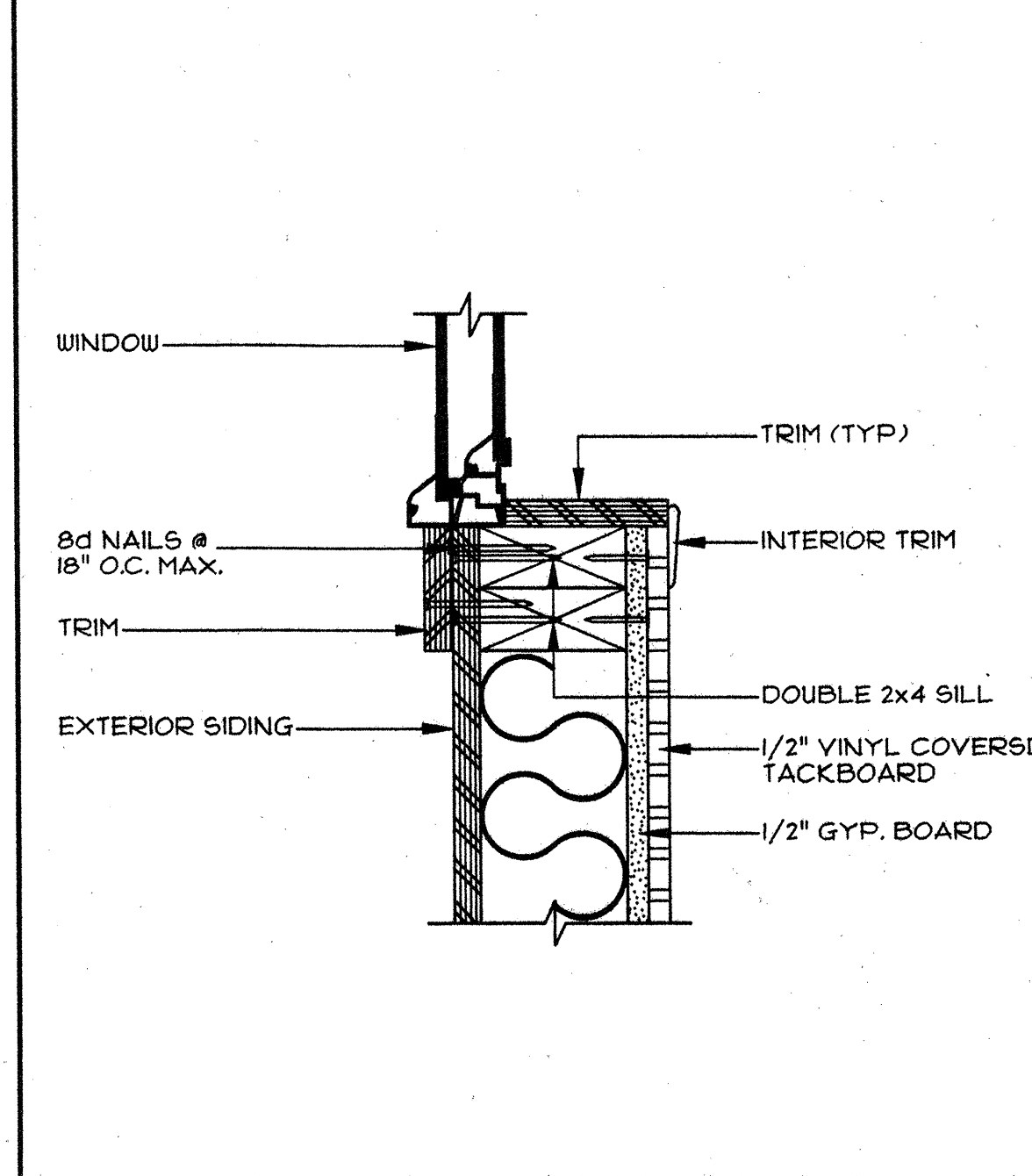
2 COLUMN SECTION @ CORNER
SCALE: 3/8" = 1'-0"



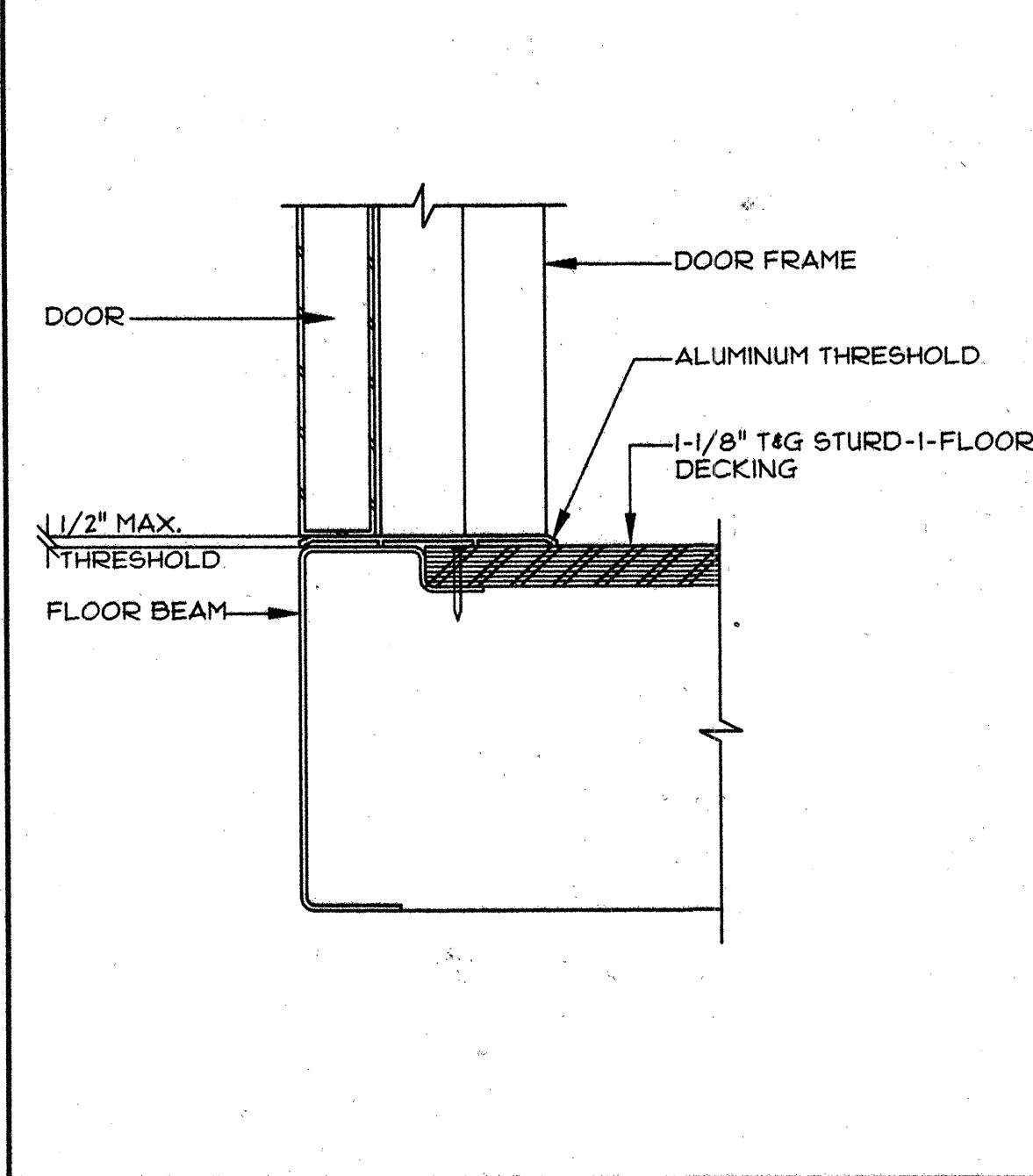
3 WINDOW HEADER (JAMB SIM'L)
SCALE: 3/8" = 1'-0"



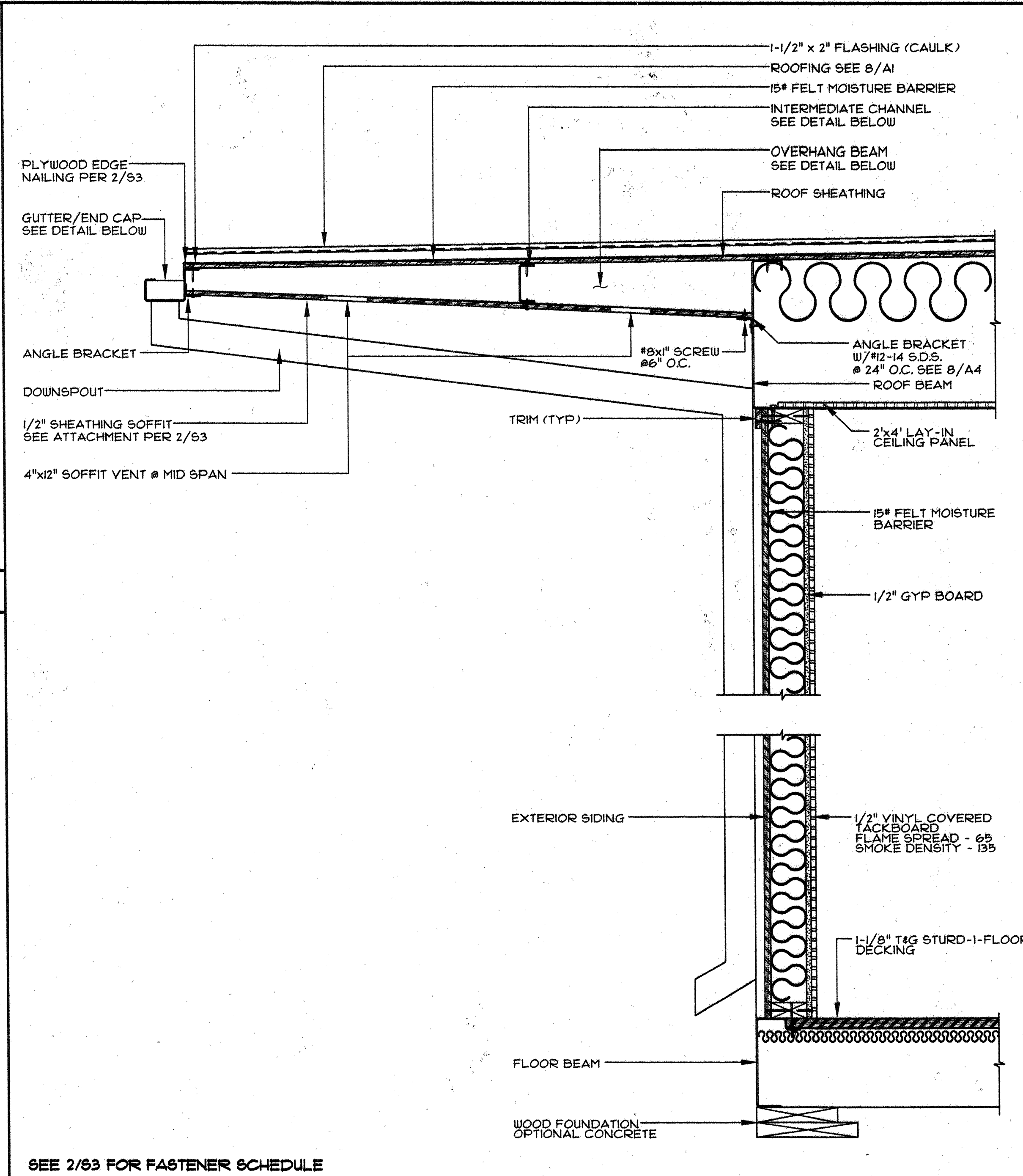
4 DOOR HEAD (JAMB SIM'L)
SCALE: 3/8" = 1'-0"



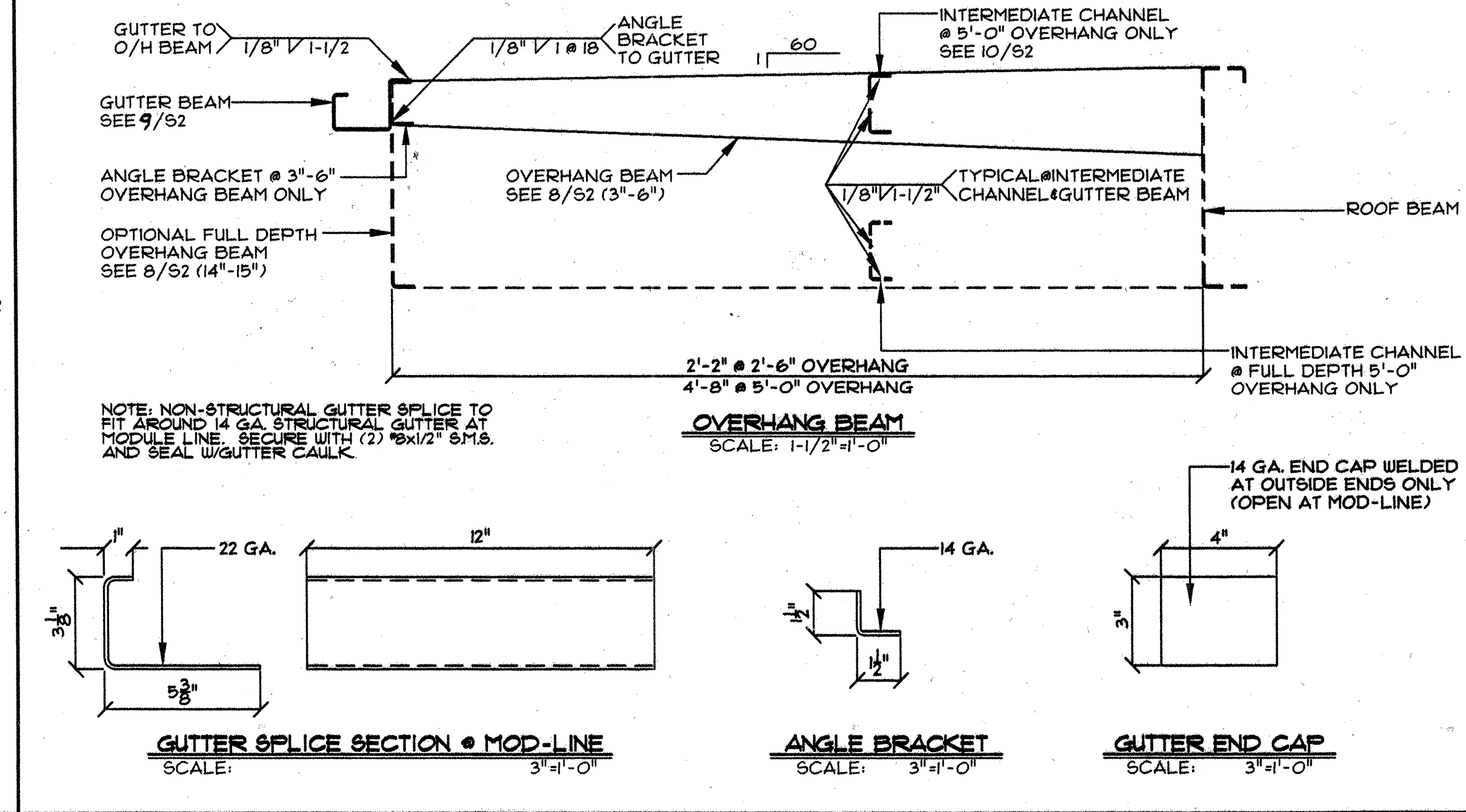
5 WINDOW SILL
SCALE: 3/8" = 1'-0"



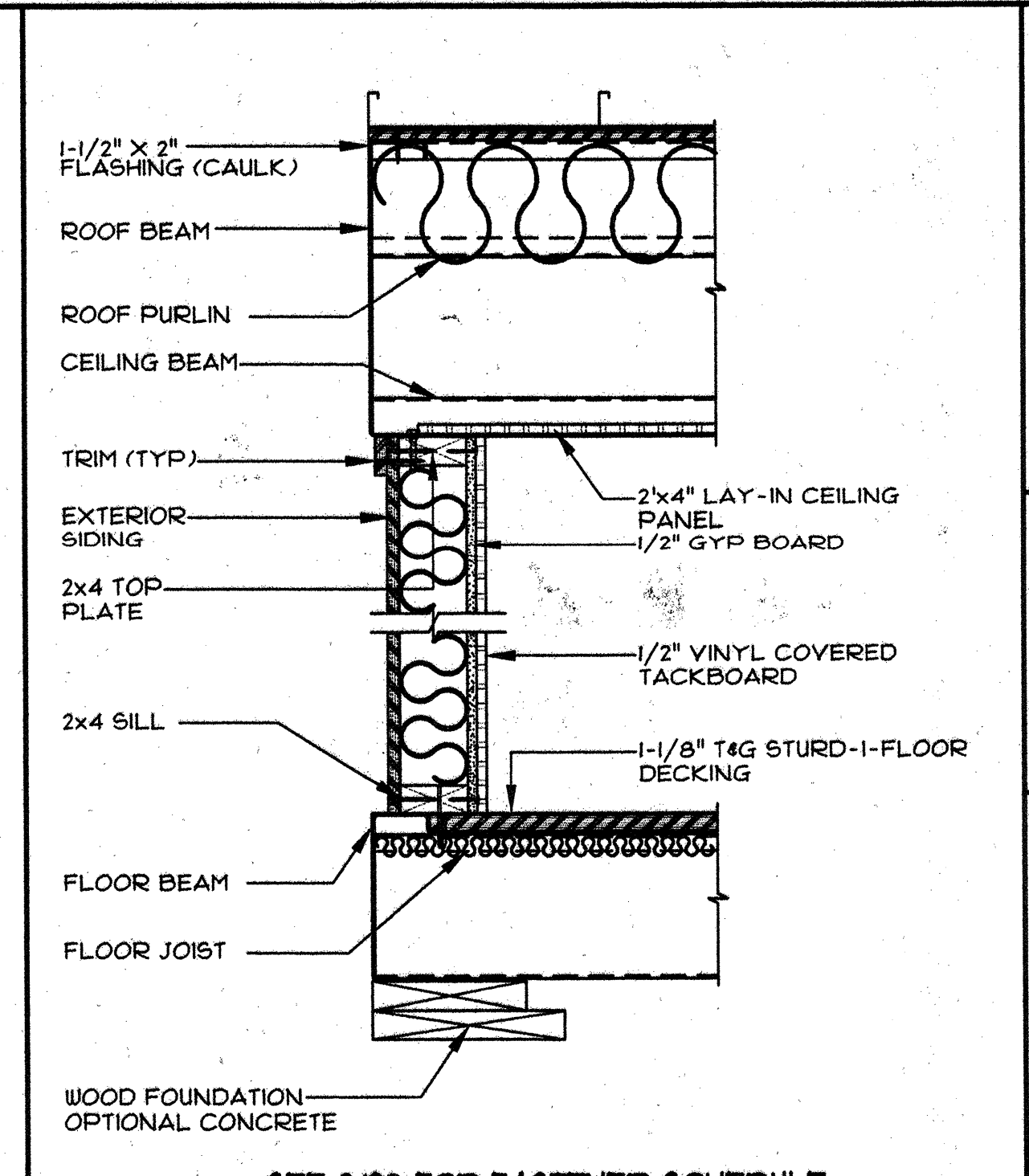
6 DOOR SILL
SCALE: 3/8" = 1'-0"



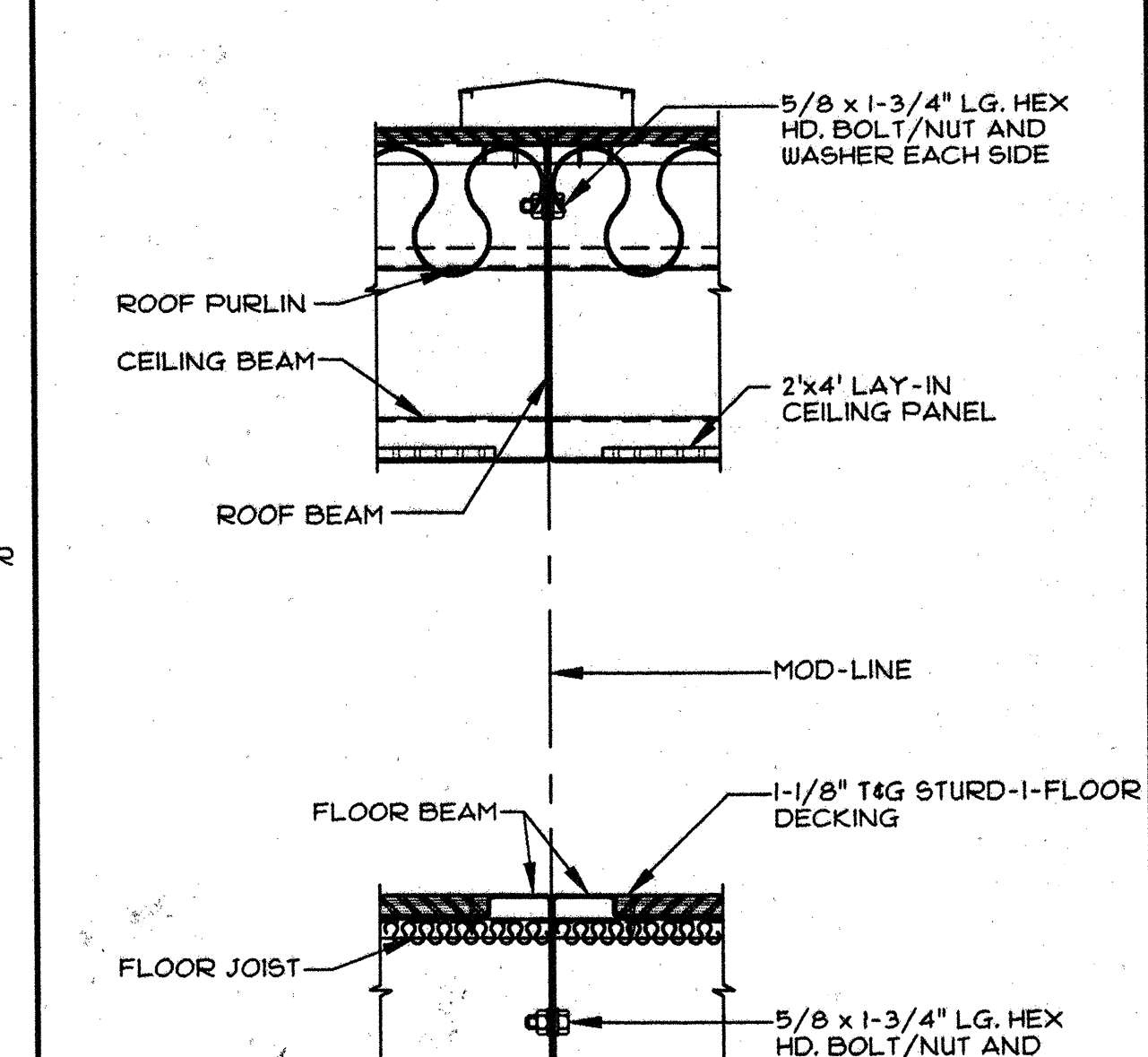
7 WALL SECTION - FRONT AND REAR
SCALE: 1-1/2" = 1'-0"



8 OVERHANG SECTION & GUTTER DETAILS
SCALE: AS NOTED



9 WALL SECTION - SIDE
SCALE: 1-1/2" = 1'-0"



10 WALL SECTION AT MOD-LINE
SCALE: 1-1/2" = 1'-0"

IDENTIFICATION STAMP
DIVISION OF THE STATE ARCHITECT
APPL 01 104070
AC DS FLS SS CCL/PT
DATE 11/11/99

DESIGN CRITERIA
ROOF: DEAD LOAD - 8.0 PSF
ROOF: LIVE LOAD - 20.0 PSF (SNOW)
FLOOR: DEAD LOAD - 8.0 PSF
FLOOR: LIVE LOAD - 60.0 PSF
(OPTIONAL) FLOOR: LIVE LOAD - 70.0 PSF
(OPTIONAL) FLOOR: LIVE LOAD - 125.0 PSF
WALLS: DEAD LOAD - 8.0 PSF
WIND: 80 MPH; EXPOSURE: C
qs=16.4 PSF; Cw=1.06; Cq AS REQ.
SEISMIC: ZONE 4R=4.5, Fa=2.8, Fv=1.5, Cv=0.44, Nv=2.0, Cc=0.64

CONFIDENTIAL MATERIAL - THESE DOCUMENTS ARE THE PROPERTY OF AND ARE NOT TO BE REPRODUCED OR DISTRIBUTED WITHOUT FULL KNOWLEDGE AND WRITTEN CONSENT FROM ENVIROPLEX, INC. © COPYRIGHT 1999 ENVIROPLEX, INC. (ALL DRAWINGS PREPARED BY ENVIROPLEX, INC.)

11 APPROVALS

JH Lawder, Inc.
Structural Engineers
717 16th Street
Modesto, CA 95354
(209) 521-1143
FAX (209) 521-1166

ENVIROPLEX, INC.
4777 E. CARPENTER ROAD STOCKTON, CA. 95215

SECTIONS AND DETAILS

REVISION DATE: BY:

DATE:

A4