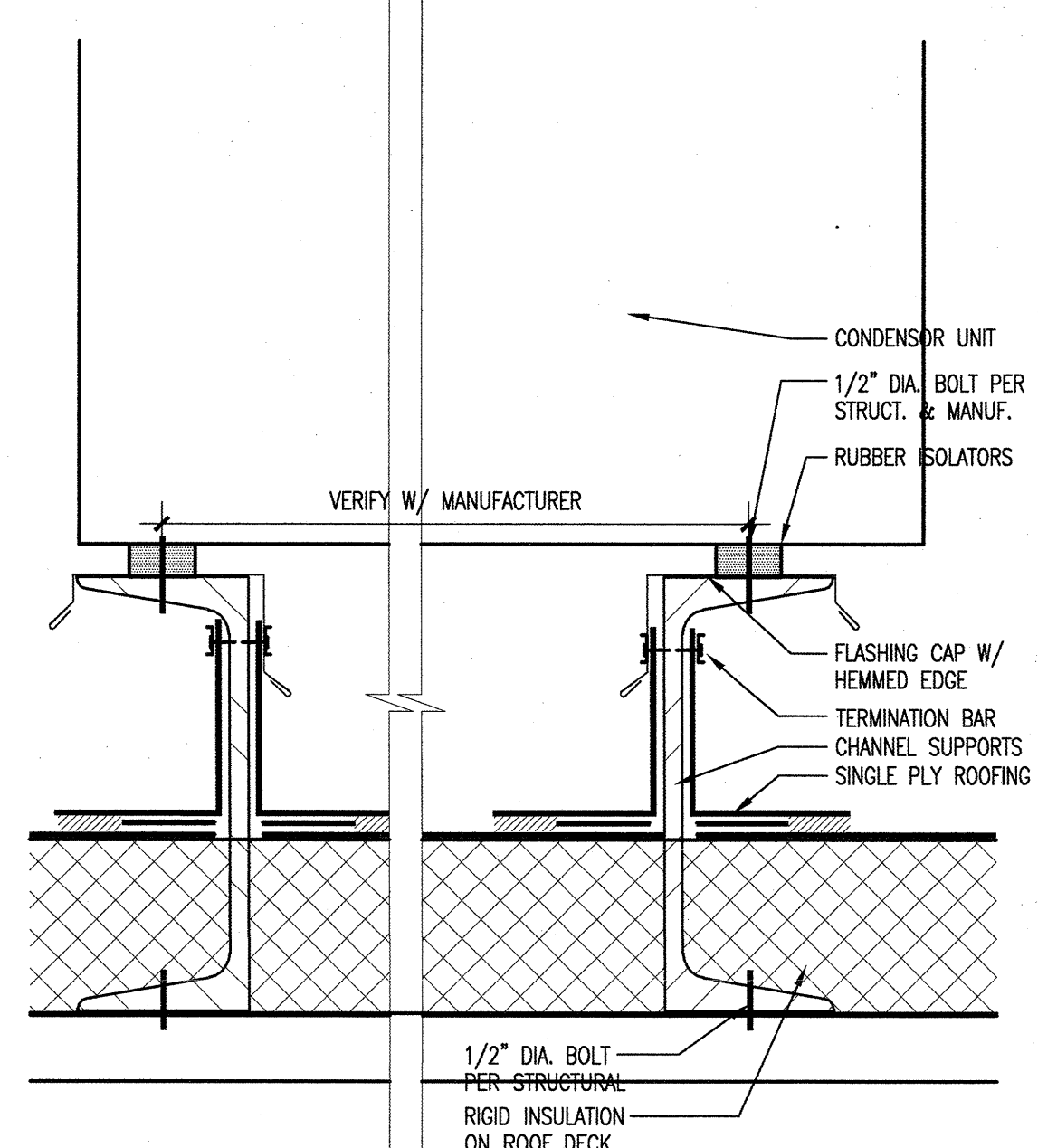
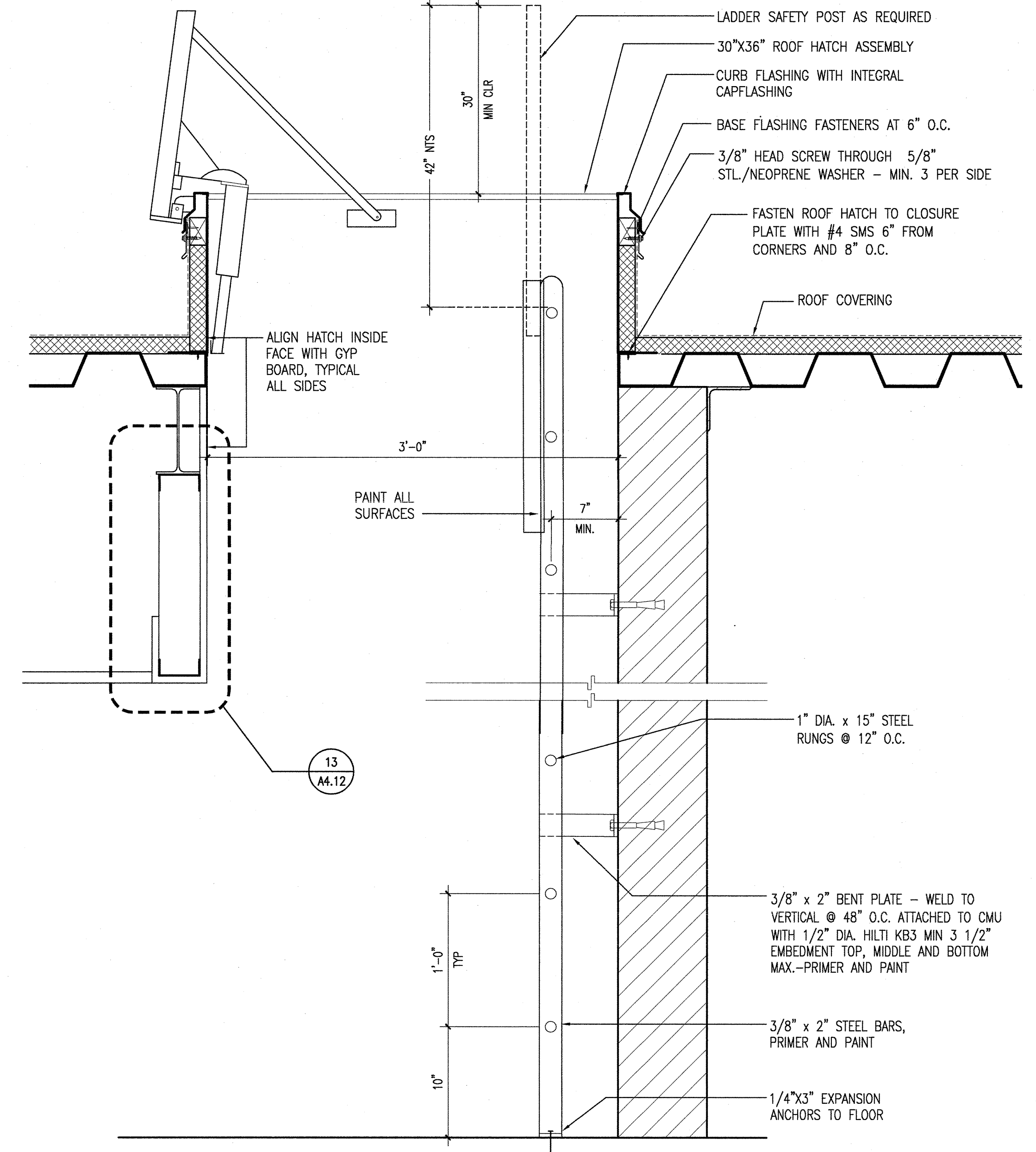


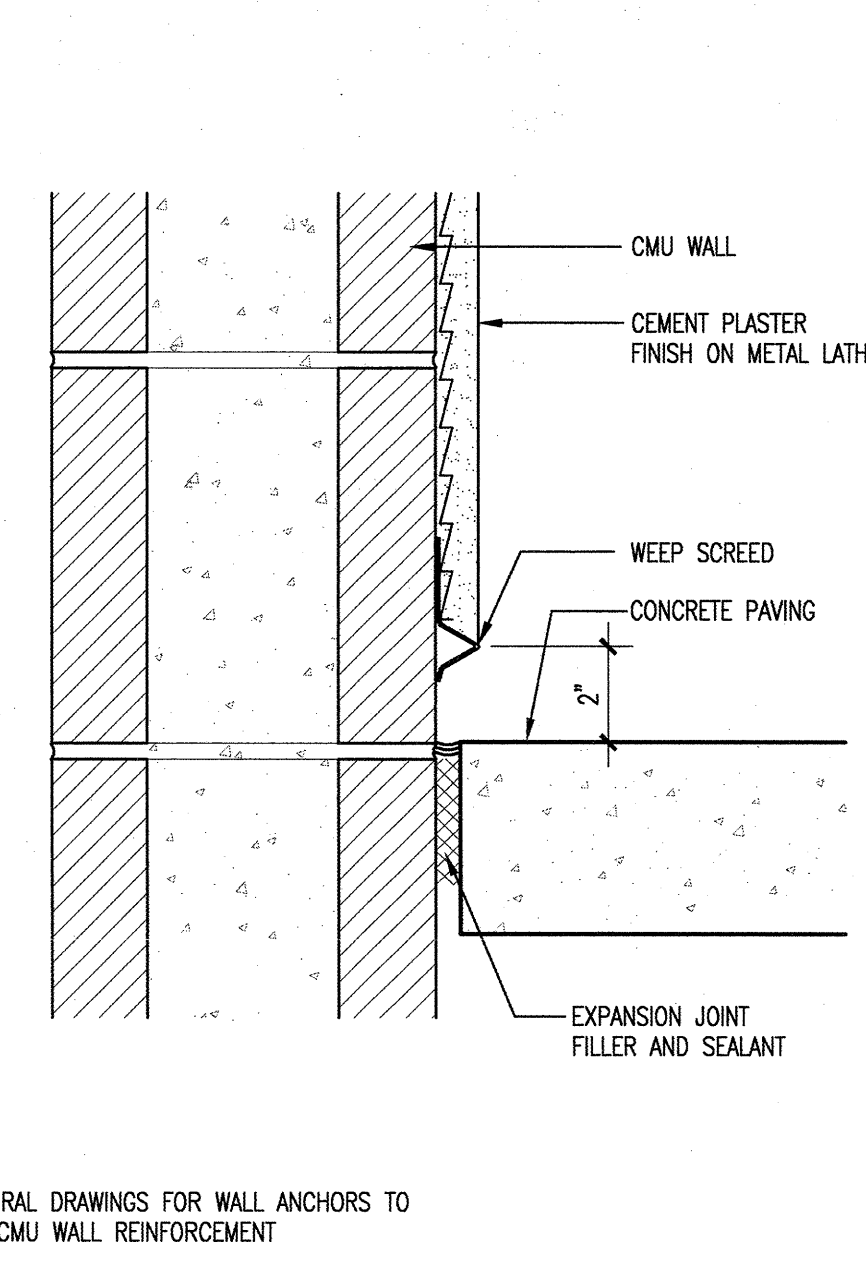
OVERFLOW THRU WALL 3" = 1'-0" 22



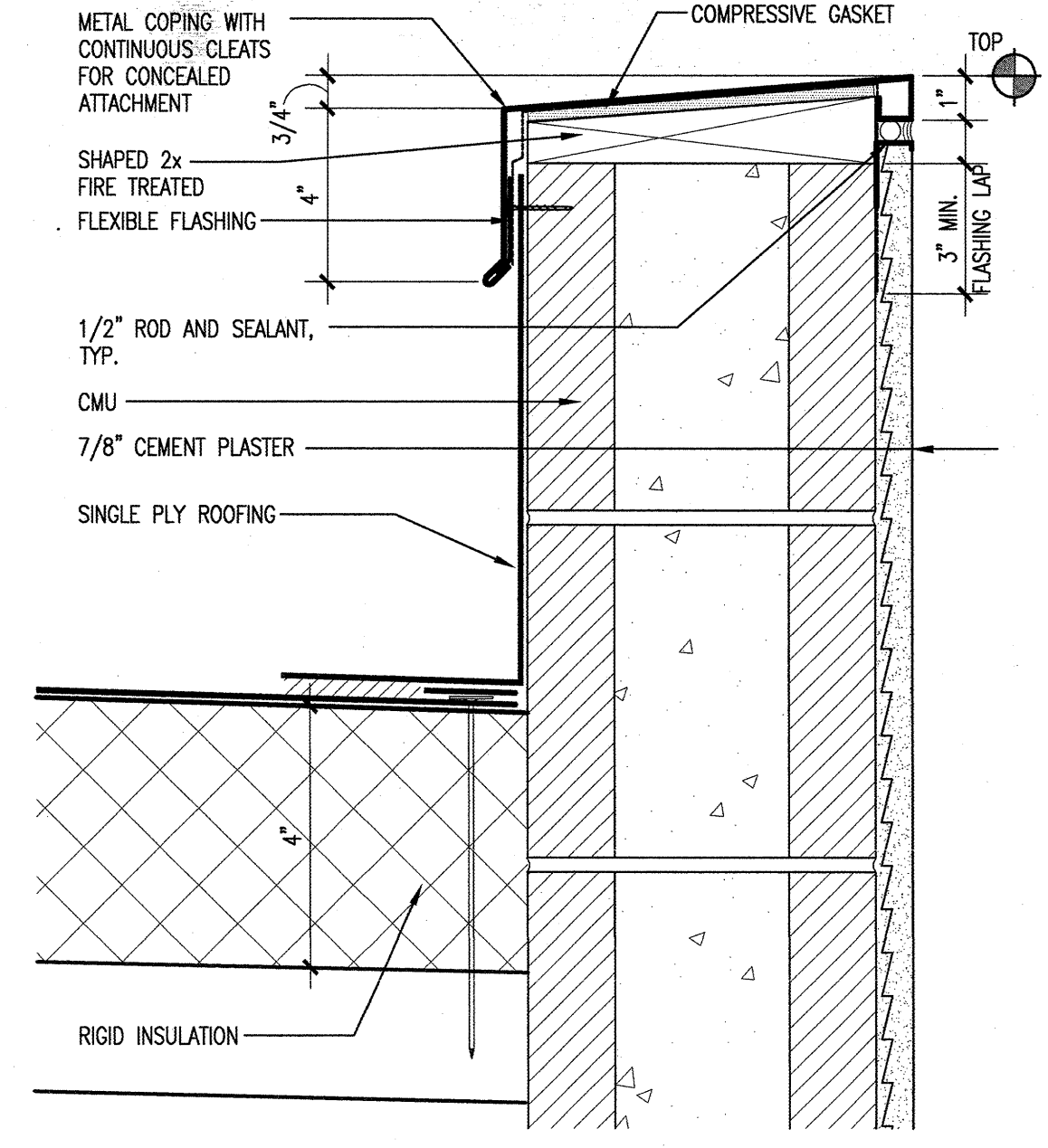
ROOFING AT MECH SUPPORT 3" = 1'-0" DT07R002 17



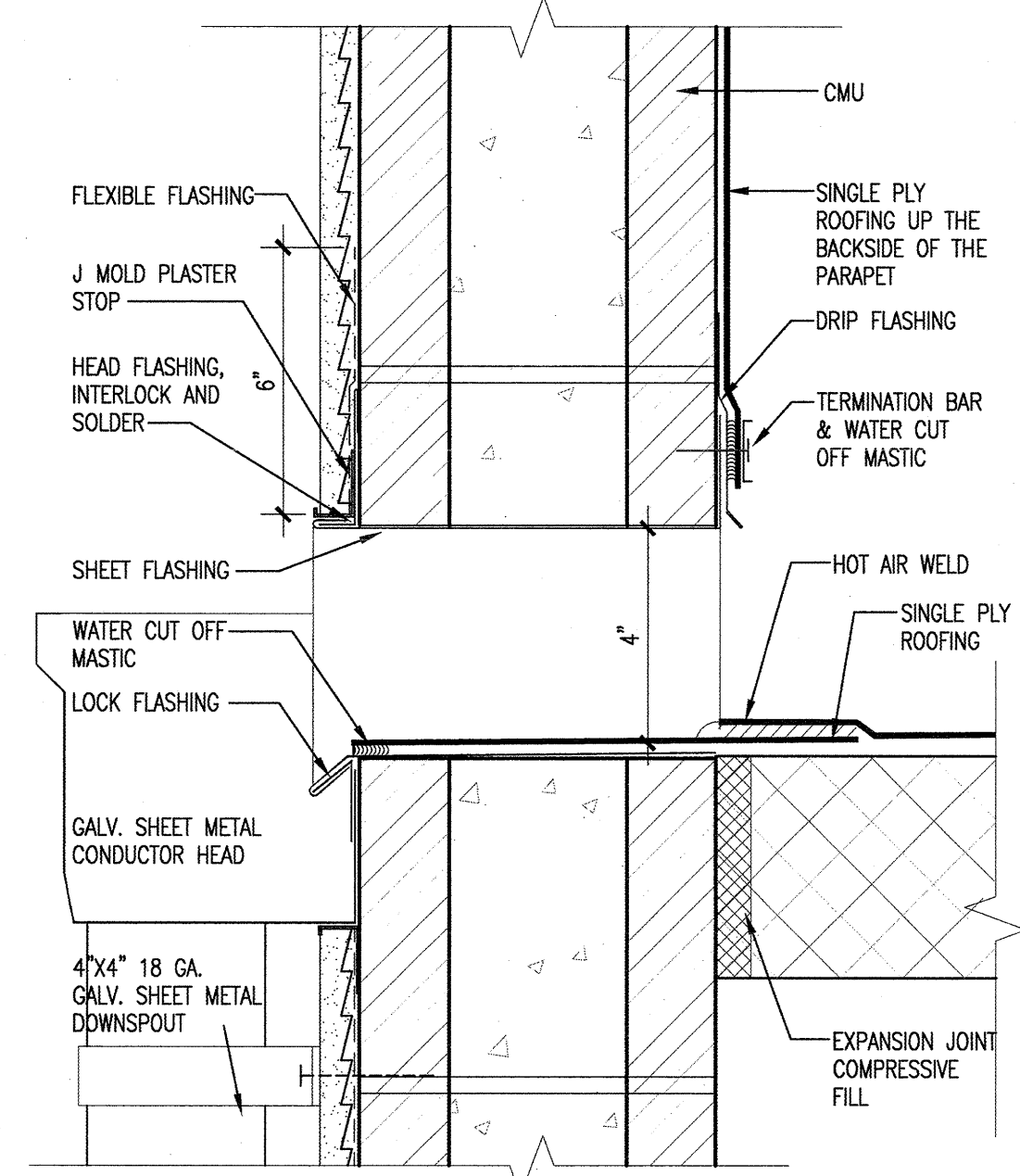
ROOF HATCH AND LADDER 1 1/2" = 1'-0" DT07RD16 10



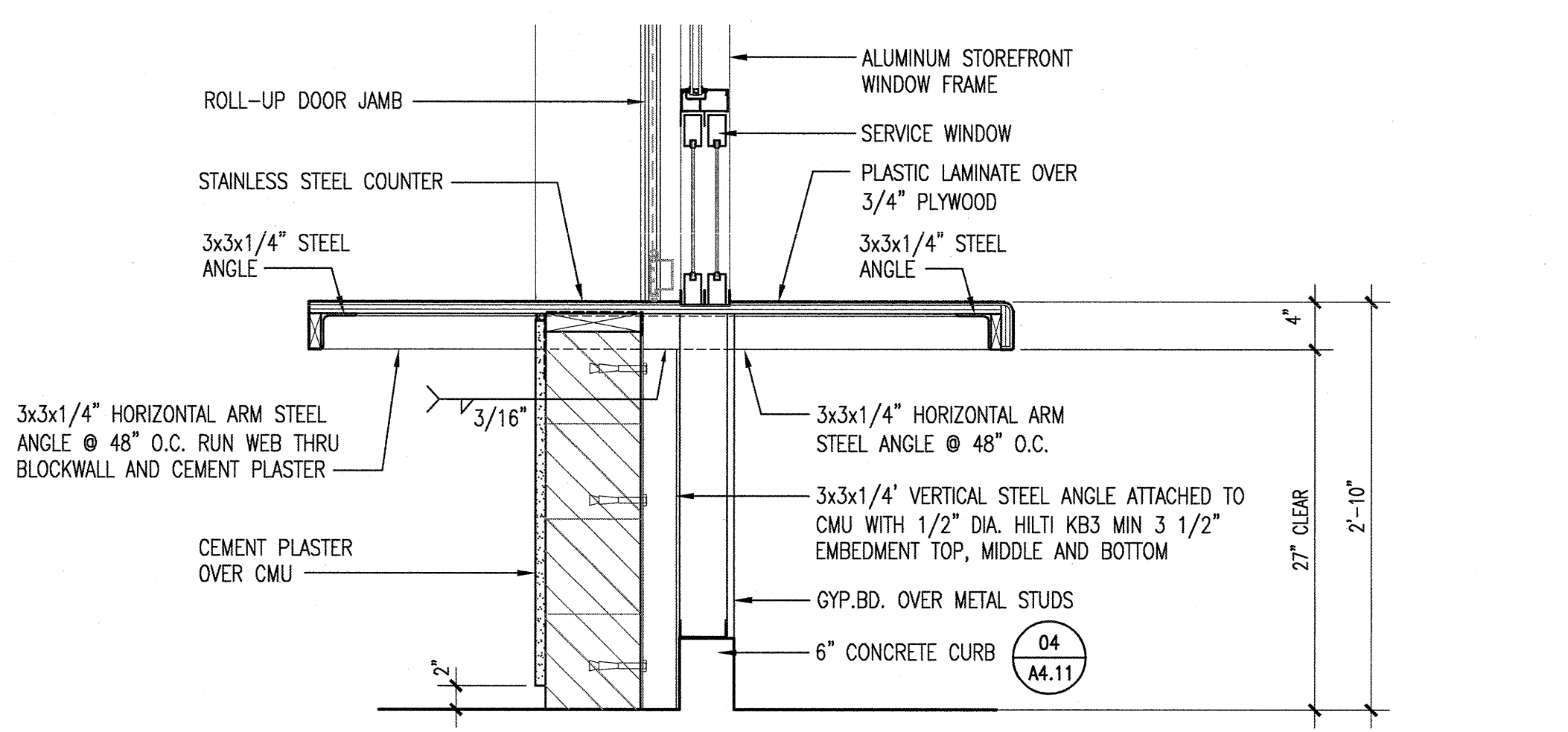
CMU WALL 3" = 1'-0" DT03WD01 05



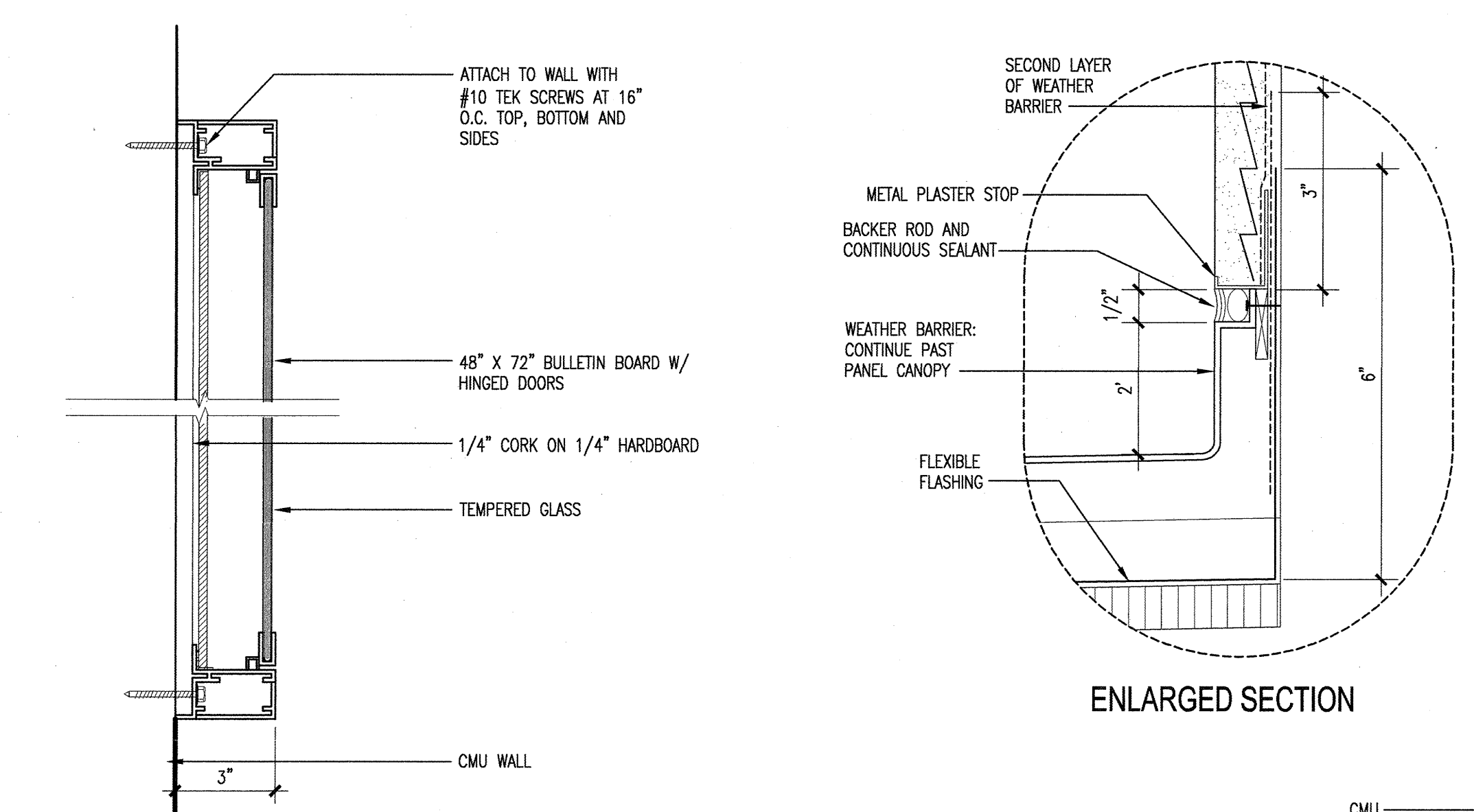
PARAPET 3" = 1'-0" DT07CP01 01



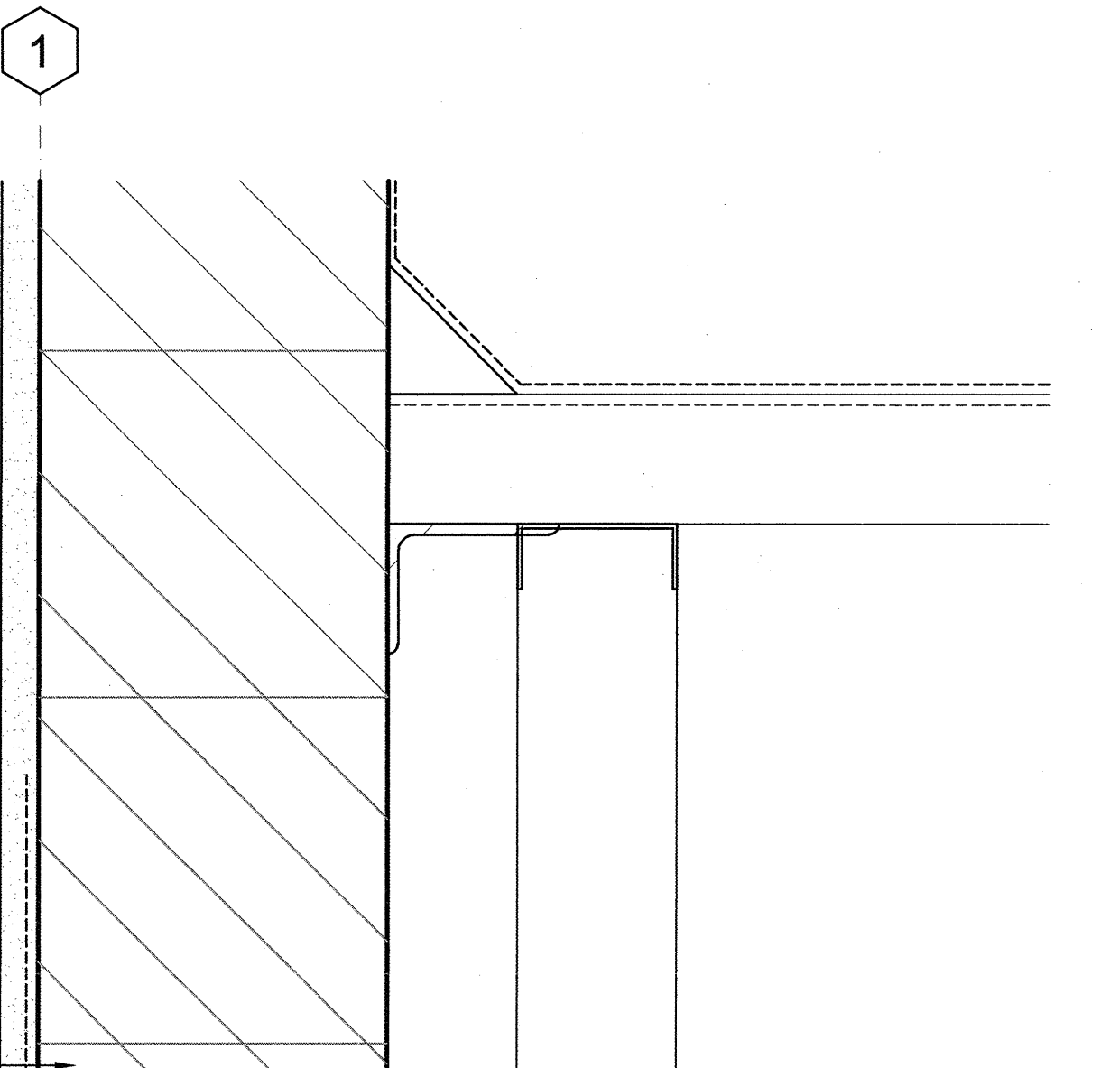
SCUPPER THRU WALL 3" = 1'-0" DT07RD11 23



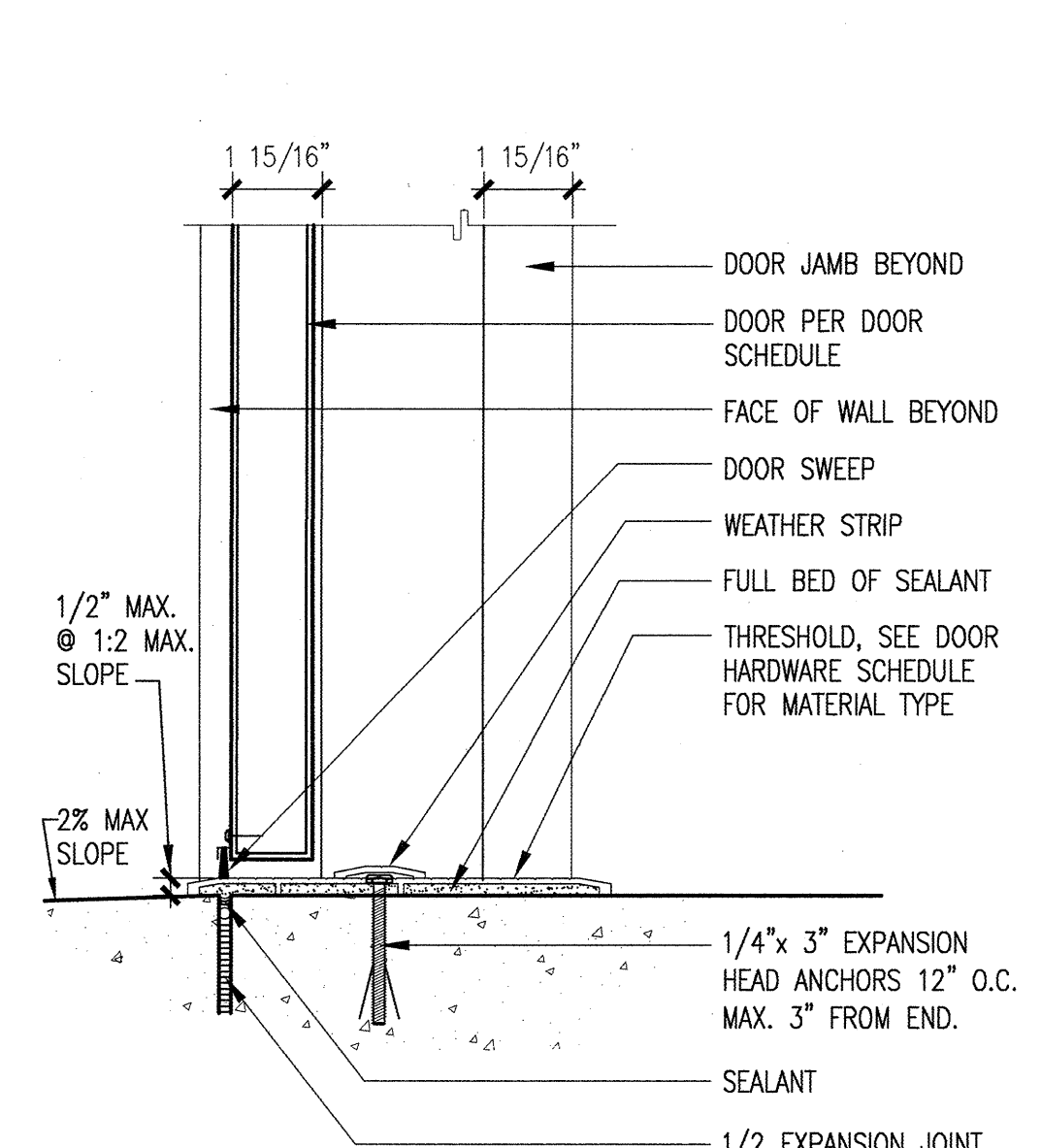
SERVICE COUNTER 1" = 1'-0" DT06W115 02



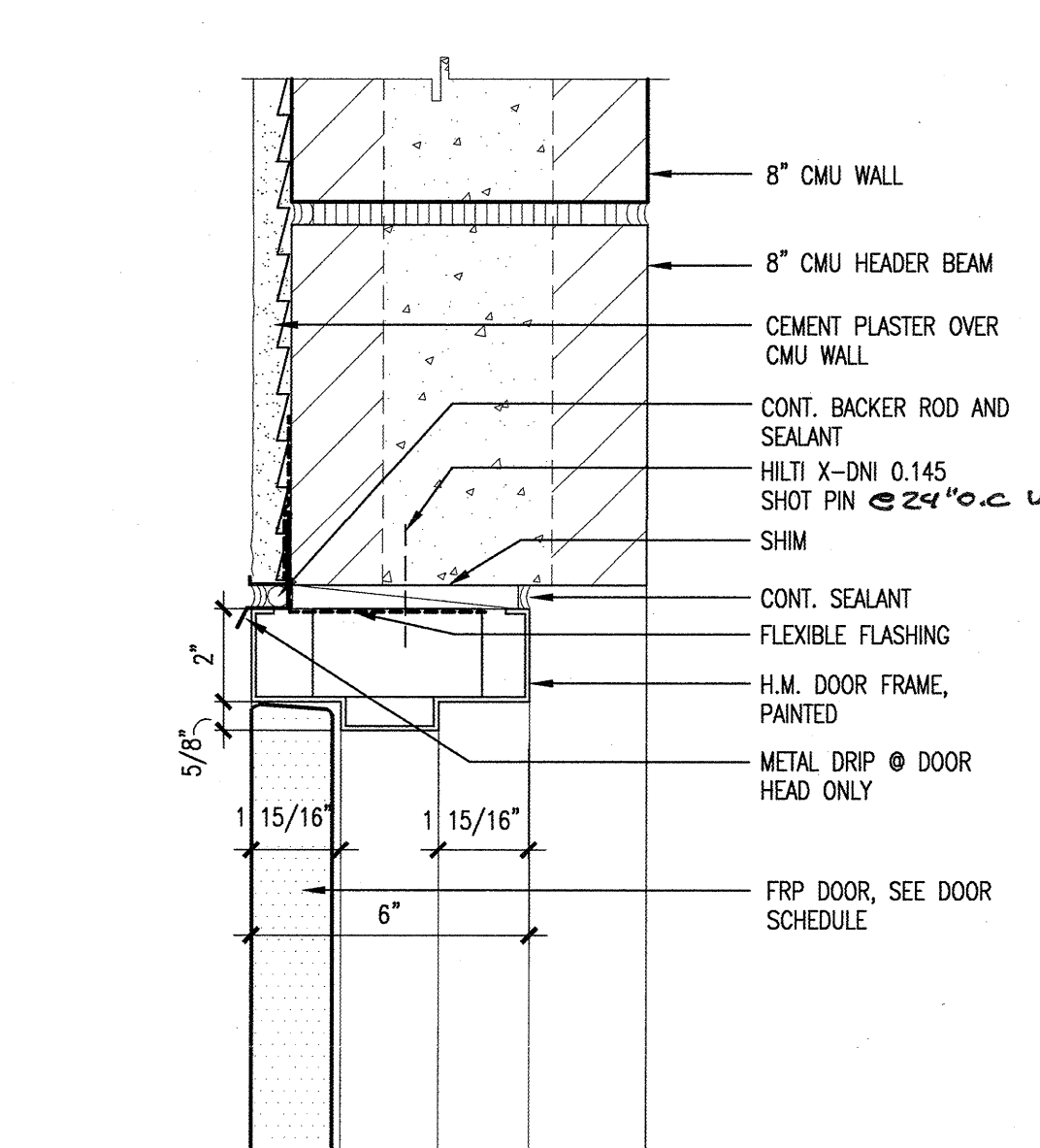
BULLETIN BOARD 3" = 1'-0" DT08D12 24



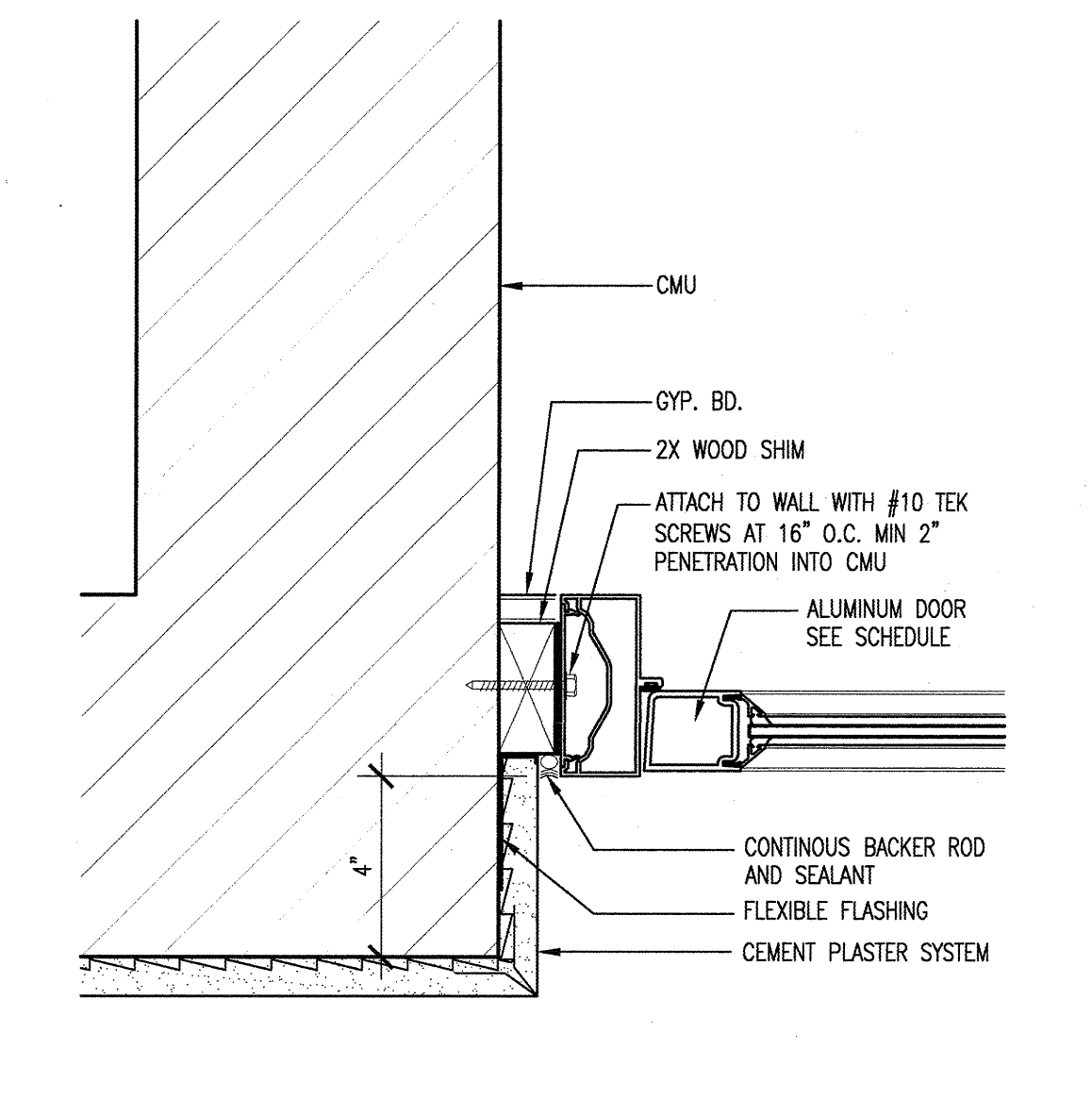
ENLARGED SECTION



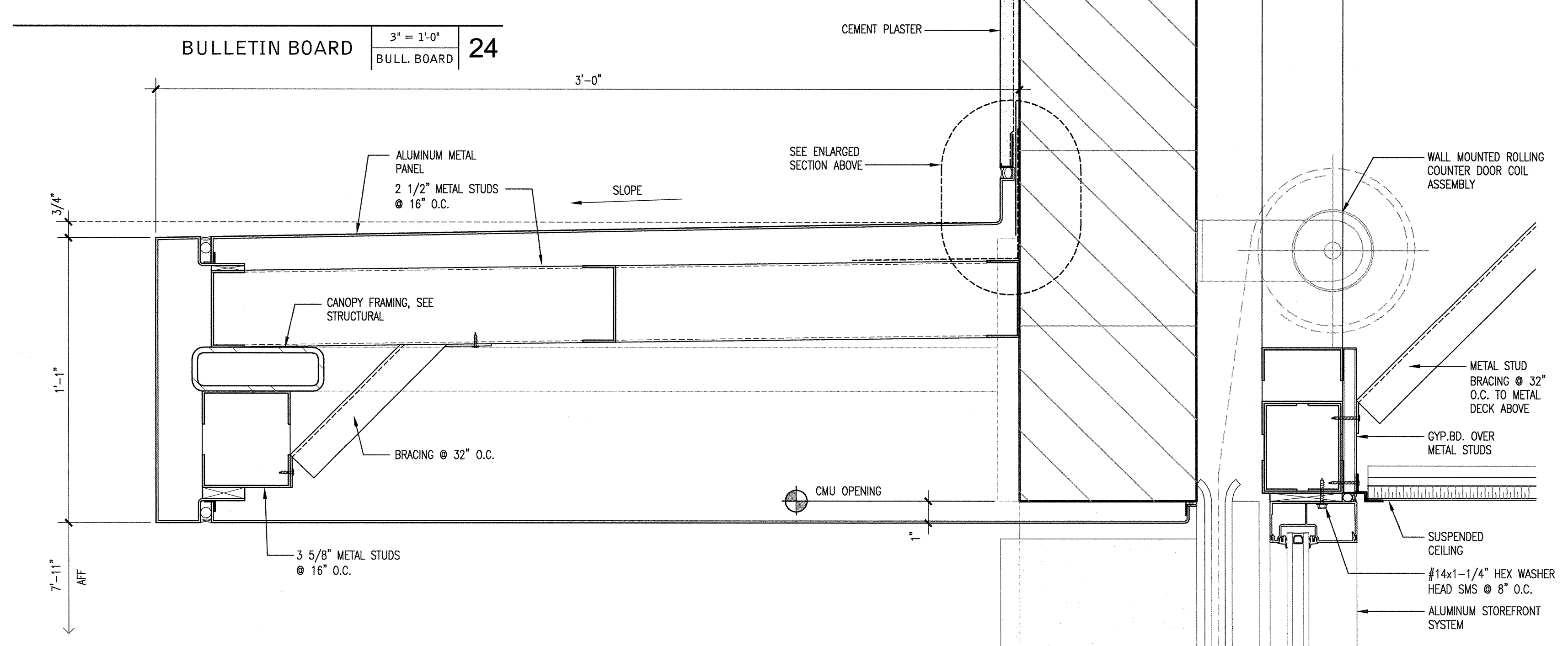
THRESHOLD 3" = 1'-0" DT08D12 11



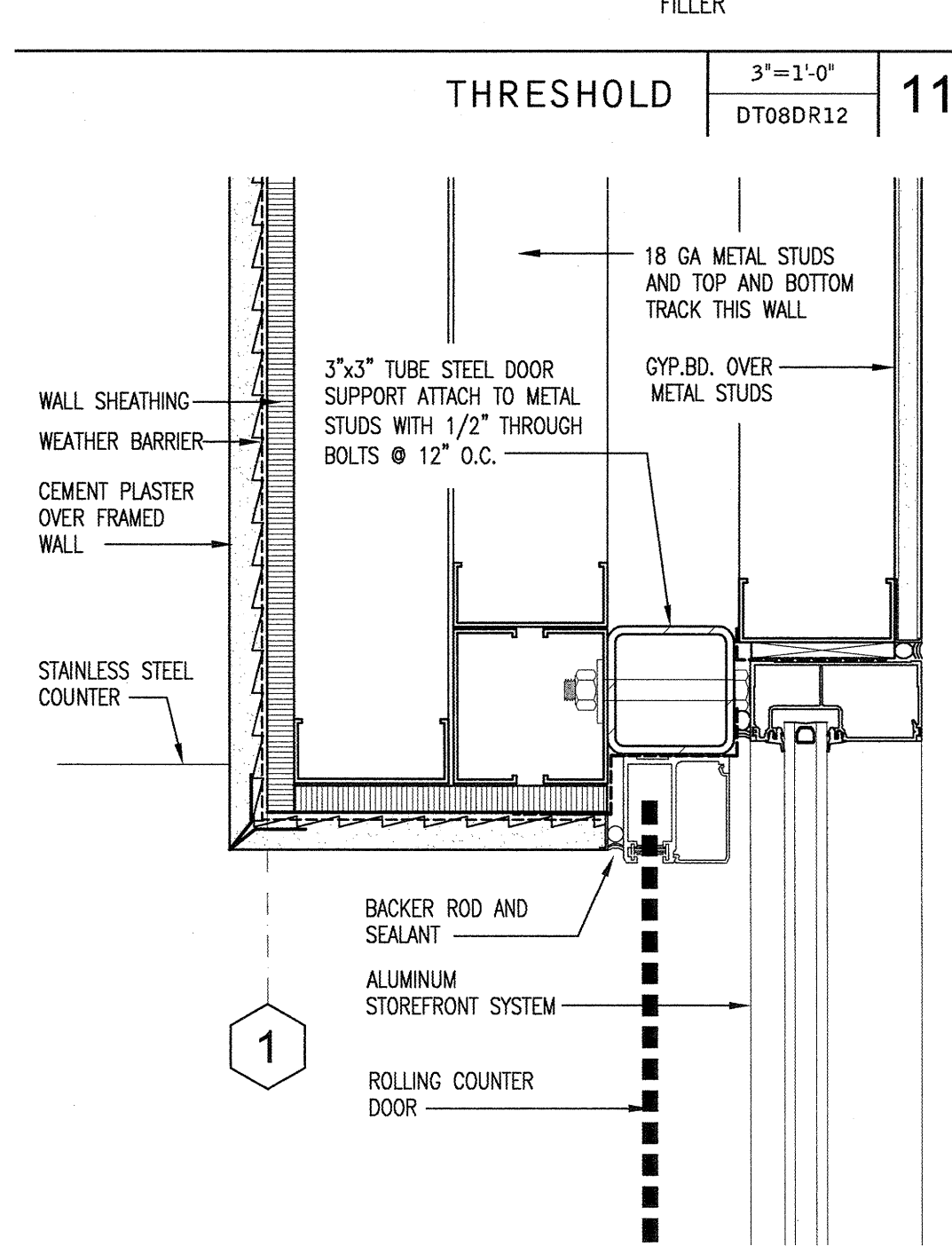
DOOR JAMB-HEAD (SIM.) 3" = 1'-0" DT08D08 07



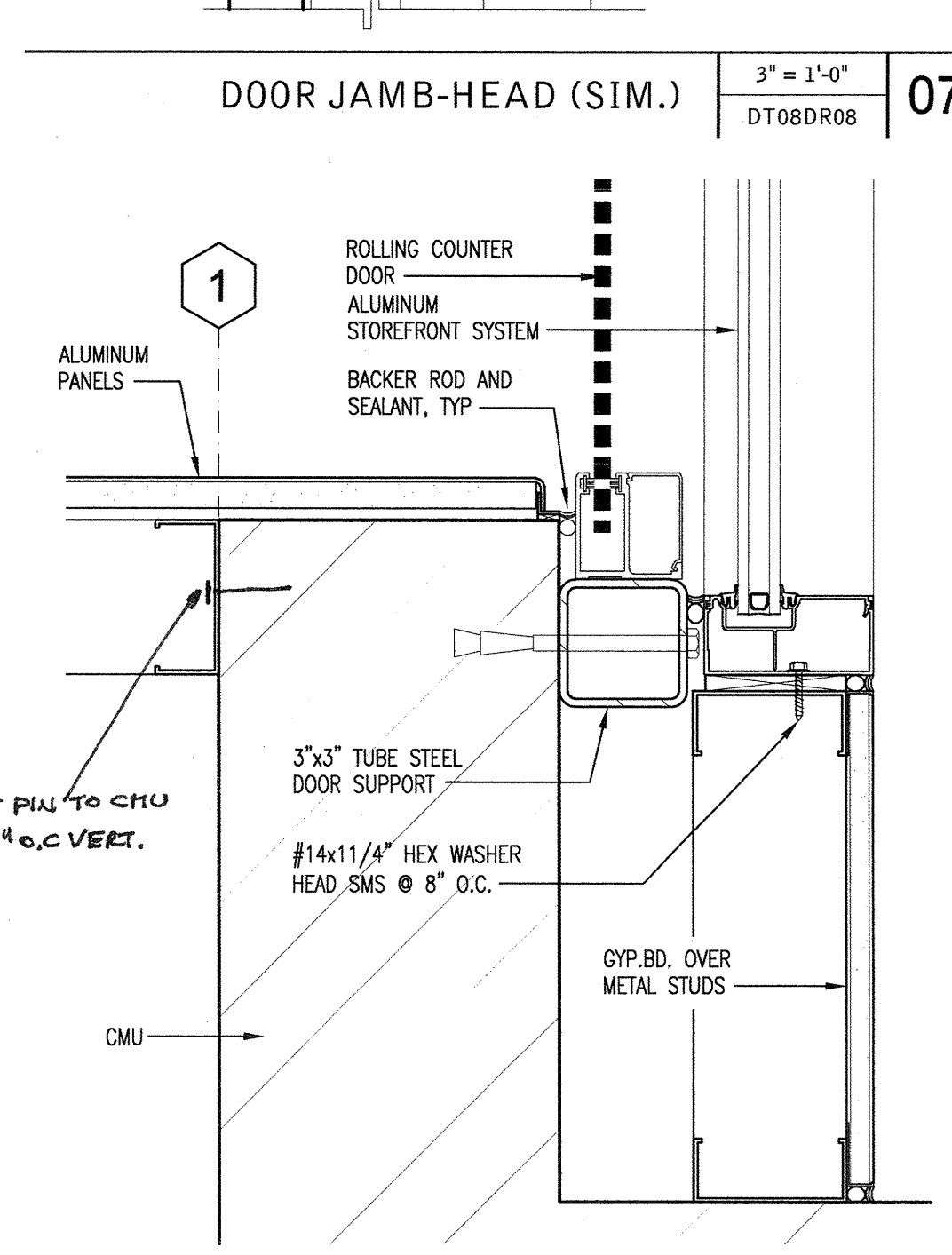
CMU@ STOREFRONT 3" = 1'-0" DT04WD05A 03



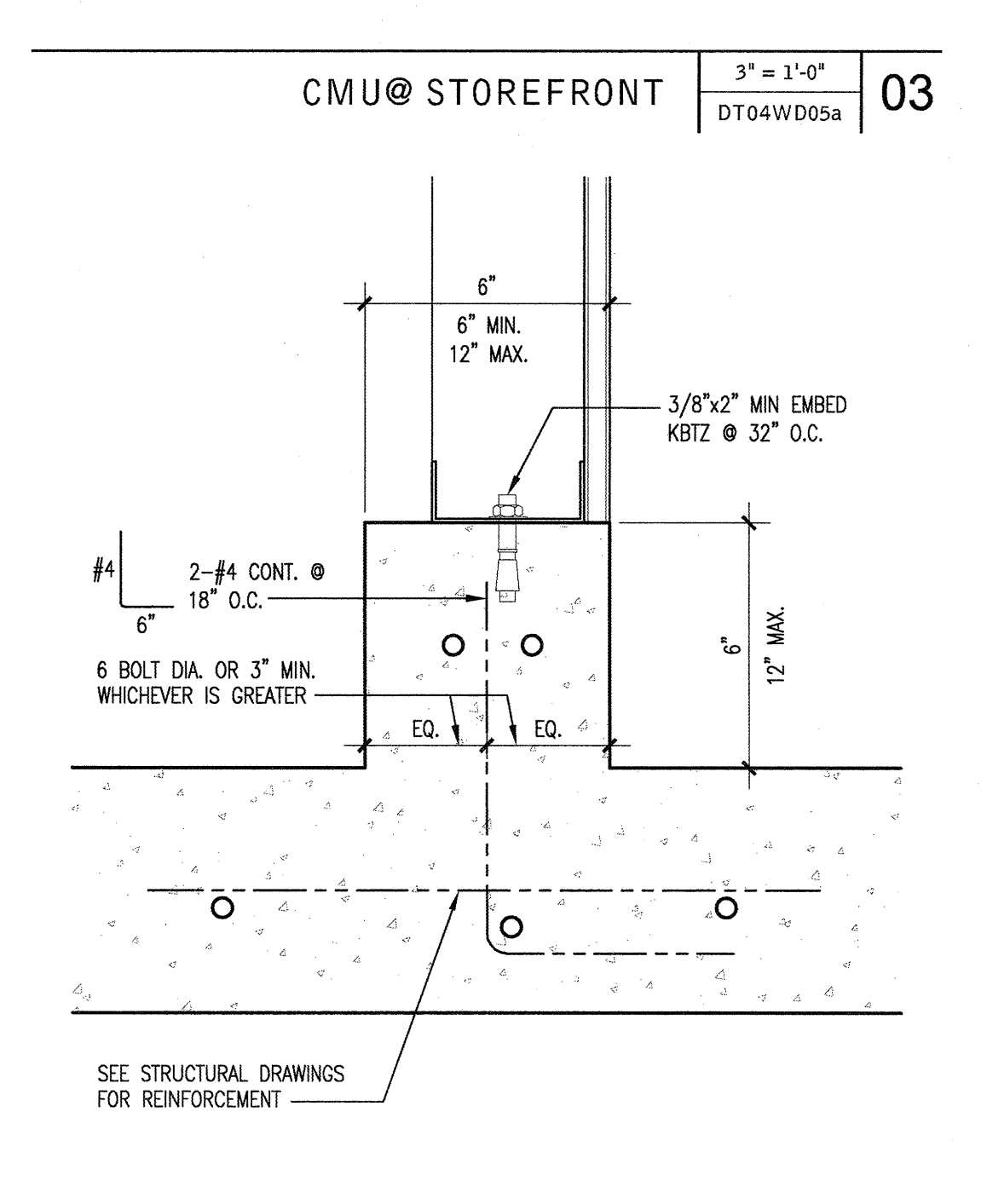
CANOPY 3" = 1'-0" DT06EX01 16



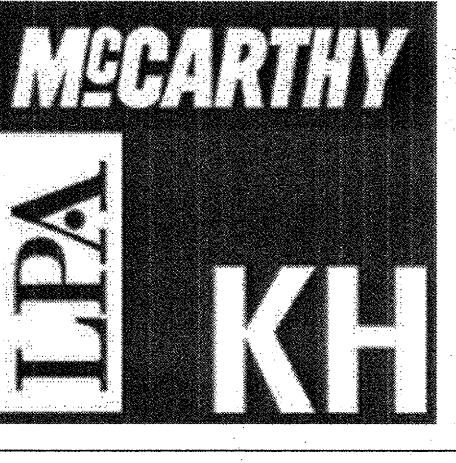
COUNTER DOOR JAMB 3" = 1'-0" DT09EX02 12



COUNTER DOOR JAMB 3" = 1'-0" DT09EX03 08



CONCRETE CURB 3" = 1'-0" DT03WD02 04



McCarthy Building Companies, Inc.
343 Sansome Street, 14th Floor
San Francisco, California 94104
P 415 364-1339
F 415 397-9999



IDENTIFICATION STAMP
DIV. OF THE STATE ARCHITECT
OFFICE OF REGULATION SERVICE
APPL. # 01-110097
DATE APR 09 2009
FILE NUMBER

This set of all other project documents and all ideas, methods and designs incorporated herein are instruments of service, and project documents are the property of LPA, KH, and McCarthy Building Companies, Inc. and shall remain the property of McCarthy Building Companies, Inc. No part of this set of project documents may be reproduced, stored in a retrieval system, or transmitted, in any form or by any means, electronic, mechanical, photocopying, recording, or by any information storage and retrieval system, without the prior written permission of McCarthy Building Companies, Inc. This set of project documents is intended for the use of the recipient only and is not to be used for any other purpose. The recipient of this set of project documents shall be responsible for the accuracy of the information contained herein. LPA and KH do not warrant the accuracy of the information contained herein and are not responsible for any discrepancies between project documents and the existing conditions.
© Copyright 2008

College of San Mateo
Site Package
San Mateo, CA
Developed for
San Mateo County Community College District

Date	Revision Description

Date	Revision Description
19 SEPT 2008	DSEA SUBMITTAL
02 APRIL 2009	DSEA FINAL

Job No. (FILED IN 27082.20) 27082.30
Date 09 APRIL 2009
Drawn by HE
Checked by JR
Scale AS SHOWN

DETAILS
A4.11